



US00D720856S

(12) **United States Design Patent**
Faust et al.

(10) **Patent No.:** **US D720,856 S**

(45) **Date of Patent:** **** *Jan. 6, 2015**

(54) **BUCCAL TUBE**

(71) Applicant: **American Orthodontics Corporation**,
Sheboygan, WI (US)

(72) Inventors: **Scott Faust**, Kiel, WI (US); **Bradley J. Brassler**, Oostburg, WI (US)

(73) Assignee: **American Orthodontics Corporation**,
Sheboygan, WI (US)

(*) Notice: This patent is subject to a terminal disclaimer.

(**) Term: **14 Years**

(21) Appl. No.: **29/446,068**

(22) Filed: **Feb. 20, 2013**

(51) **LOC (10) Cl.** **24-99**

(52) **U.S. Cl.**
USPC **D24/180**

(58) **Field of Classification Search**
USPC D24/176-182; 433/8-17
See application file for complete search history.

(56) **References Cited**

U.S. PATENT DOCUMENTS

4,781,582	A *	11/1988	Kesling	433/17
5,224,858	A	7/1993	Hanson		
5,230,620	A *	7/1993	Watanabe	433/17
5,320,526	A *	6/1994	Tuneberg	433/17
D359,776	S *	6/1995	Hilgers	D24/180
5,556,277	A	9/1996	Yawata et al.		
5,910,007	A	6/1999	Shimodaira et al.		
6,206,690	B1 *	3/2001	Vargas	433/9
6,241,516	B1	6/2001	Orikasa et al.		
D478,172	S	8/2003	Kesling et al.		
6,705,862	B2	3/2004	Schultz		
6,709,268	B2	3/2004	Pospisil et al.		
6,733,285	B2	5/2004	Puttler et al.		

6,893,257	B2	5/2005	Kelly		
6,910,884	B2	6/2005	Kelly et al.		
6,957,957	B2	10/2005	Pospisil		
D594,558	S	6/2009	Verdouw et al.		
8,251,697	B2	8/2012	Smith et al.		
8,585,399	B2 *	11/2013	Smith et al.	433/17
2005/0244777	A1	11/2005	Schultz		
2006/0046224	A1	3/2006	Sondhi et al.		
2007/0254258	A1	11/2007	Tuneberg		
2008/0070183	A1 *	3/2008	Sondhi et al.	433/9
2011/0287378	A1 *	11/2011	Dupray et al.	433/9

OTHER PUBLICATIONS

New Design Orthodontic Buccal Tube. Hangzhou Xingchen 3B Dental instrument & Material Co., Ltd. (Retrieved on Jan. 16, 2014). Retrieved from the Internet: <URL: <http://china-3b.en.made-in-china.com/productimage/wM1QcvLufyWP-2f1j00BefEitblgAor/China-New-Desig...>>.*

(Continued)

Primary Examiner — Wan Laymon

(74) *Attorney, Agent, or Firm* — Andrus Intellectual Property Law, LLP

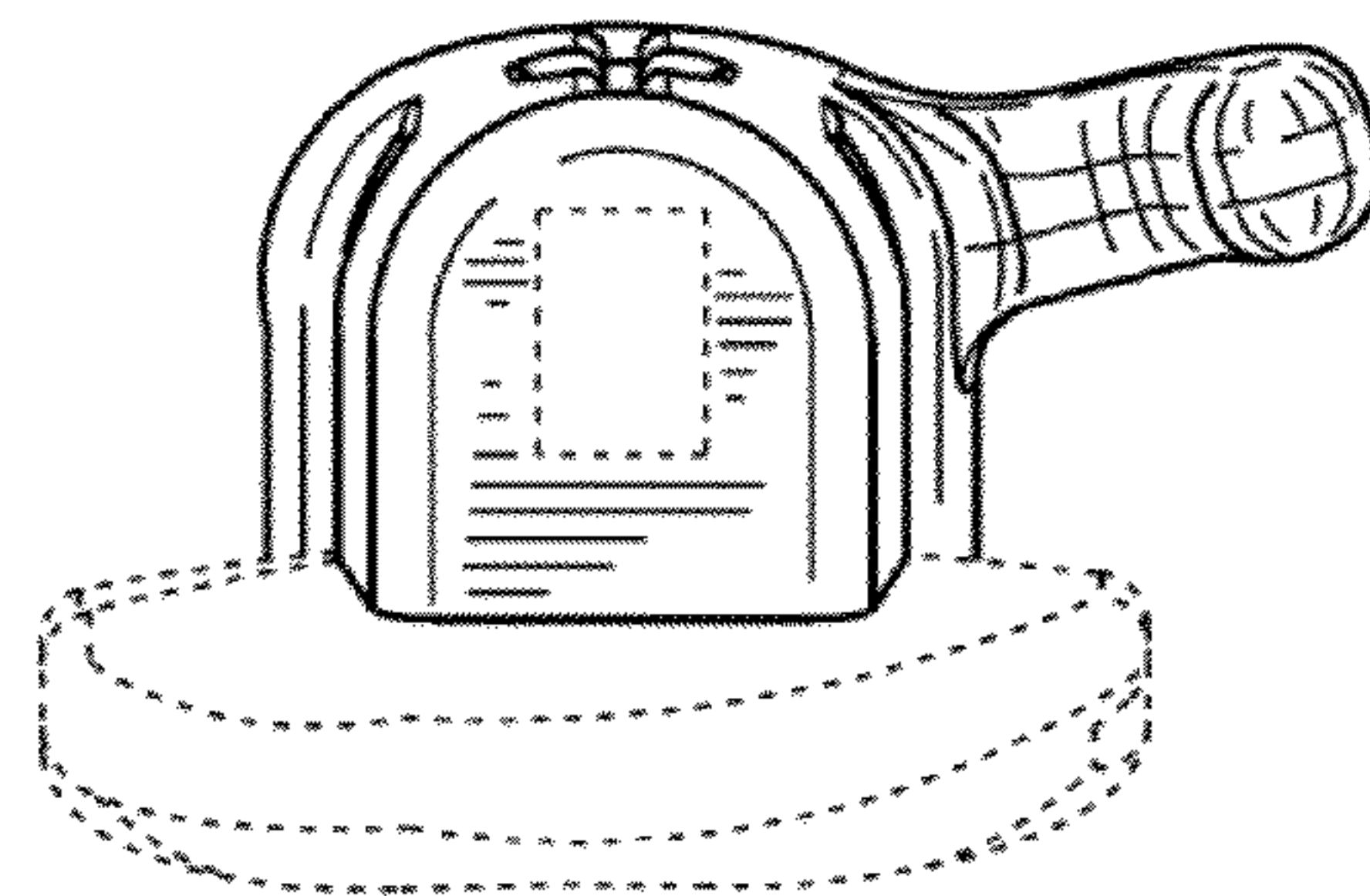
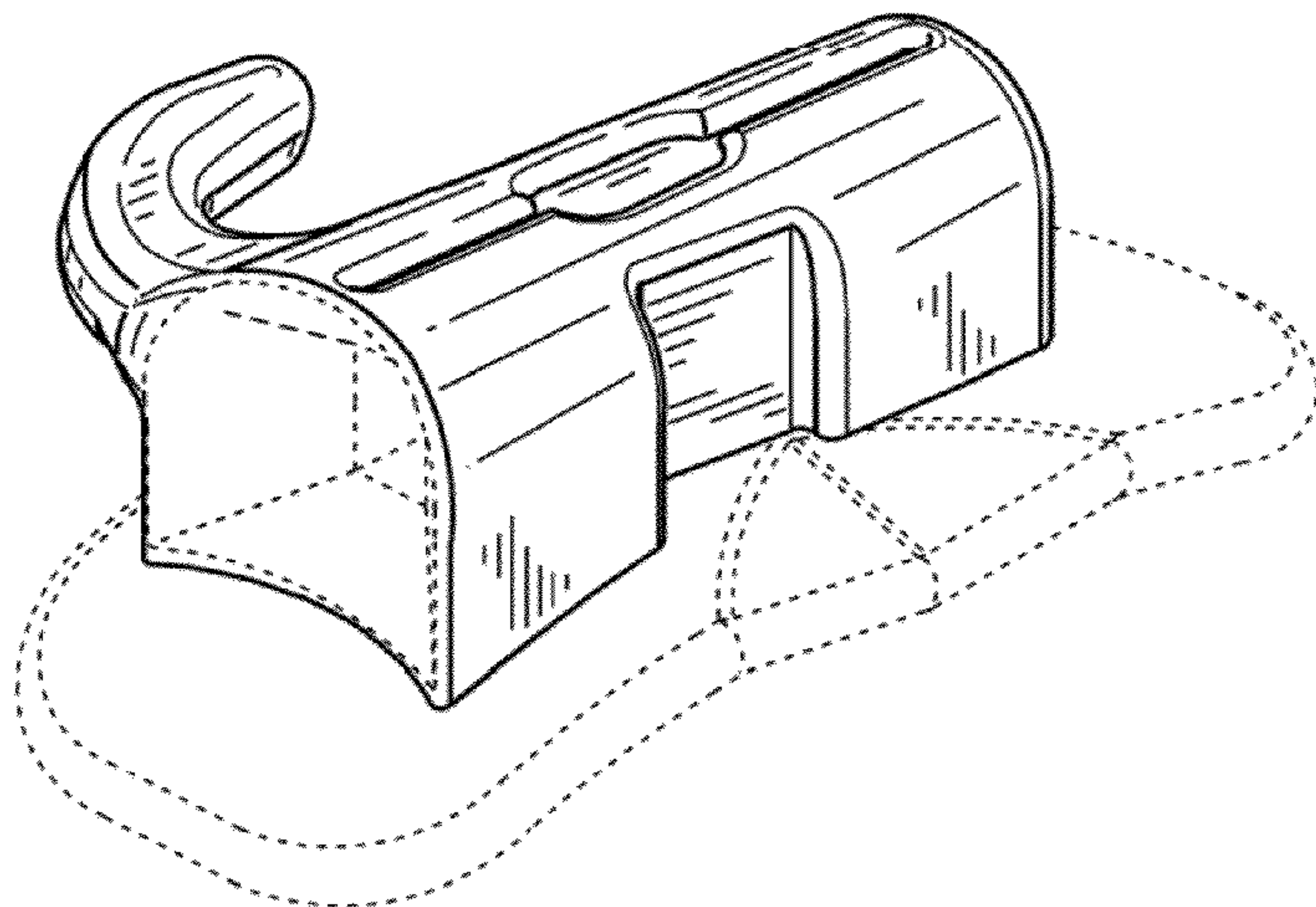
(57) **CLAIM**

The ornamental design for a buccal tube, as shown and described.

DESCRIPTION

FIG. 1 is an isometric view of a buccal tube;
FIG. 2 is a top view thereof;
FIG. 3 is a right side view thereof;
FIG. 4 is a left side view thereof;
FIG. 5 is a front view thereof;
FIG. 6 is a back view thereof; and,
FIG. 7 is a bottom view thereof.
The broken line showings of various portions and other elements in the figures are for the purpose of illustrating unclaimed portions and form no part of the claimed design.

1 Claim, 3 Drawing Sheets



(56)

References Cited

OTHER PUBLICATIONS

MBT Buccal Tube. (retrieved on Jan. 16, 2014). Retrieved from the Internet: <URL: <http://www.topdentalsupply.com/products/74.html>>.*

FLI® Buccal Tubes. RMO rocky mountain orthodontics. (Retrieved on Jan. 16, 2014). Retrieved from the Internet: <URL: <https://www.rmortho.com/products/fli-buccal-tubes/>>.*

Accent mini; Ormco Corporation; 2012.

* cited by examiner

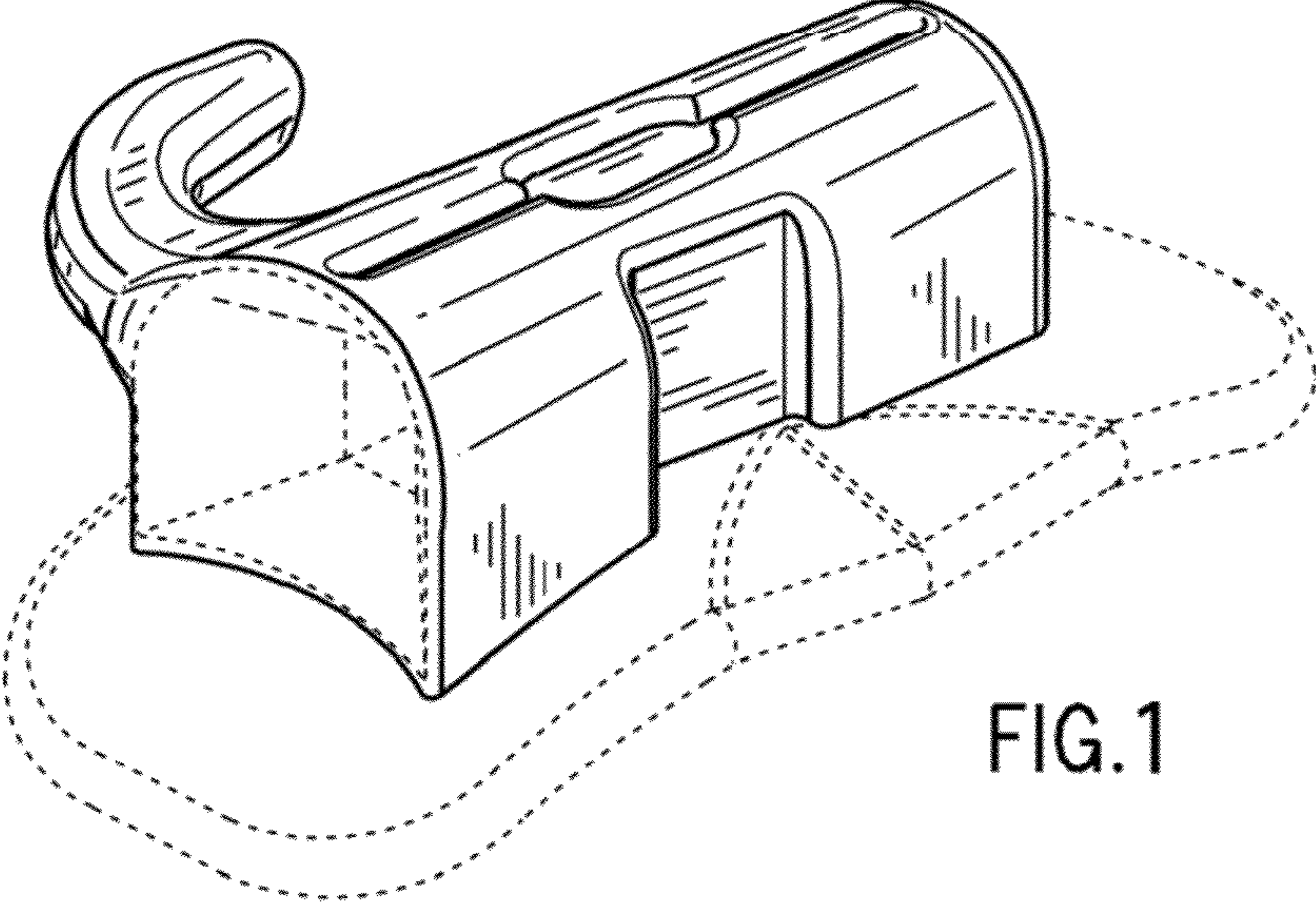


FIG. 1

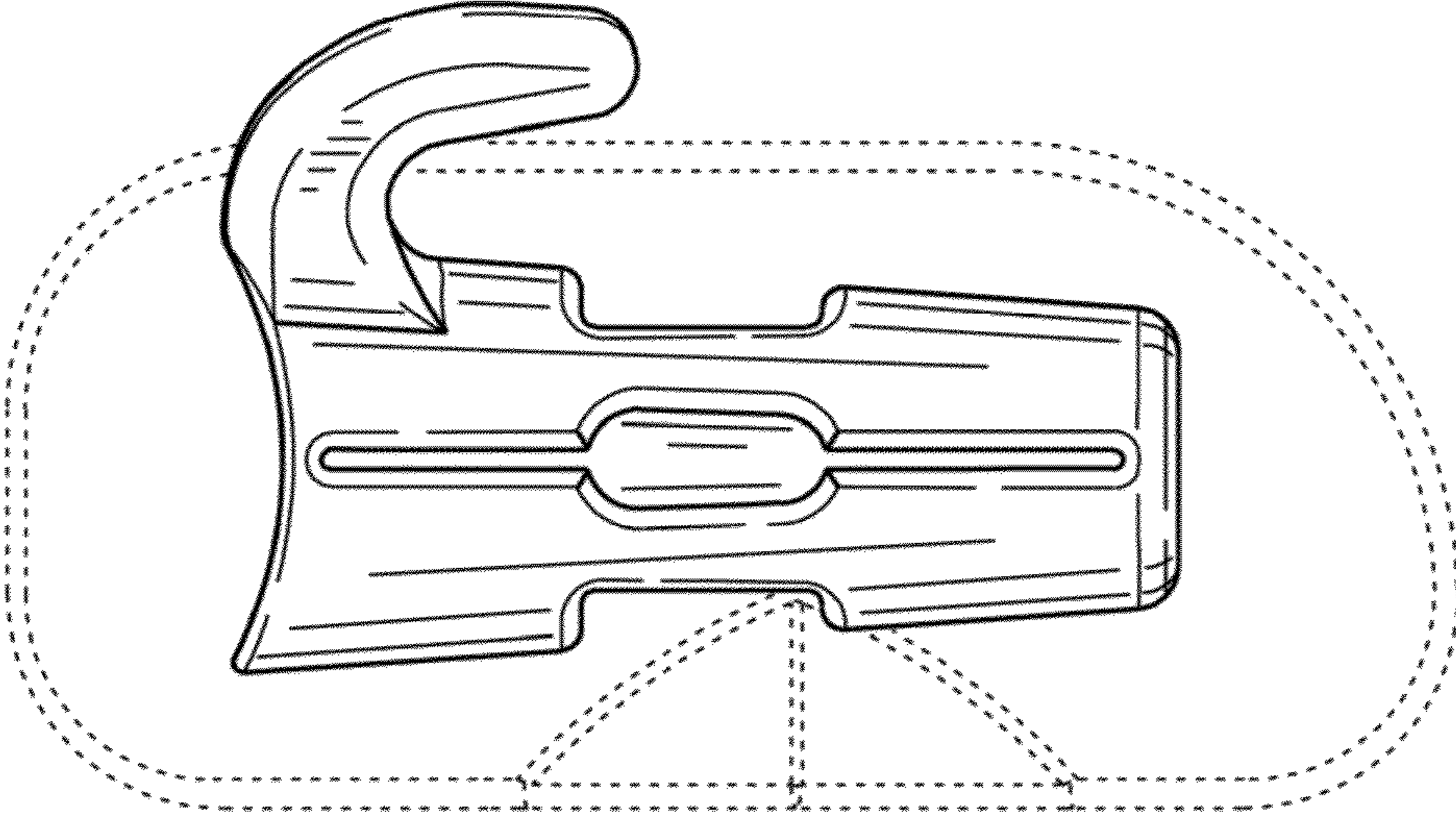


FIG. 2

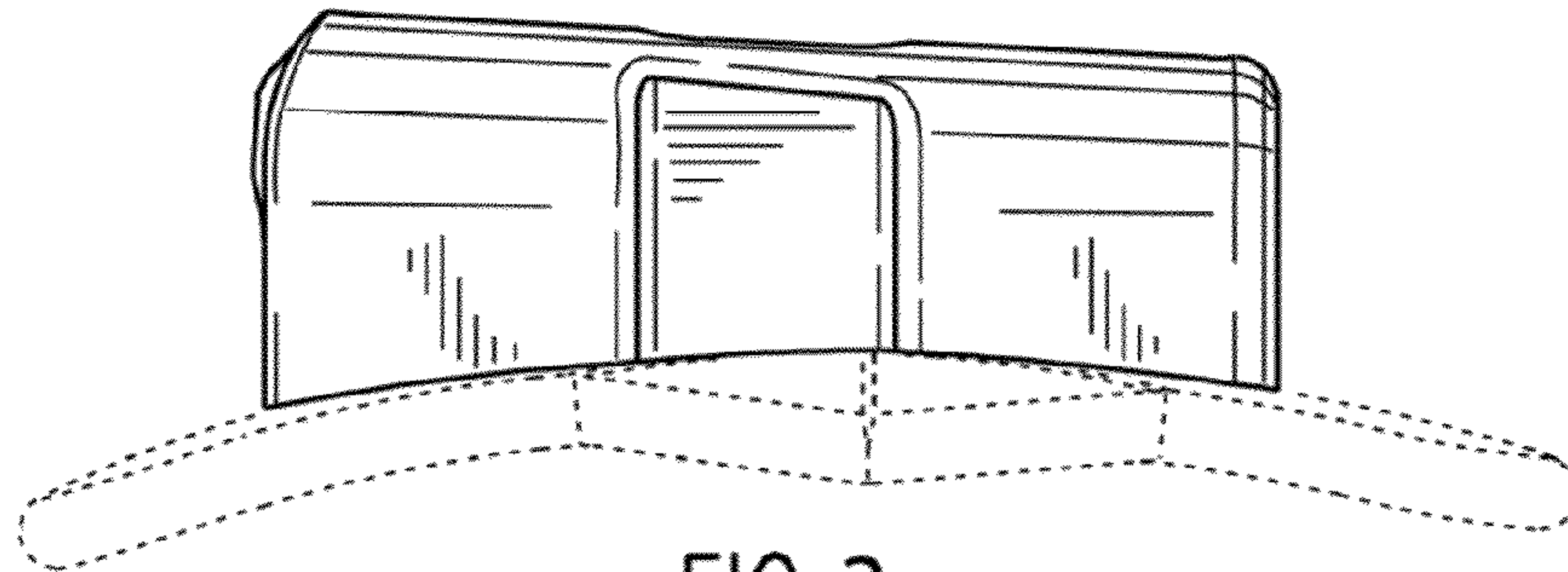


FIG. 3

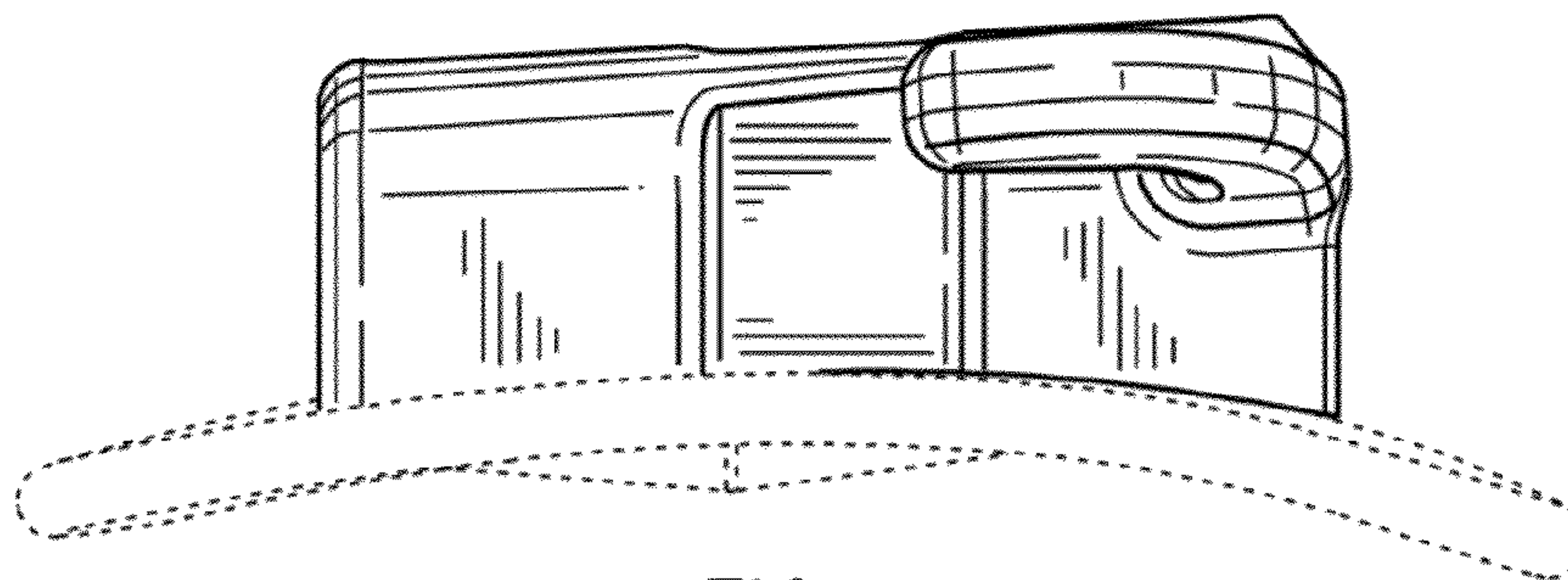


FIG. 4

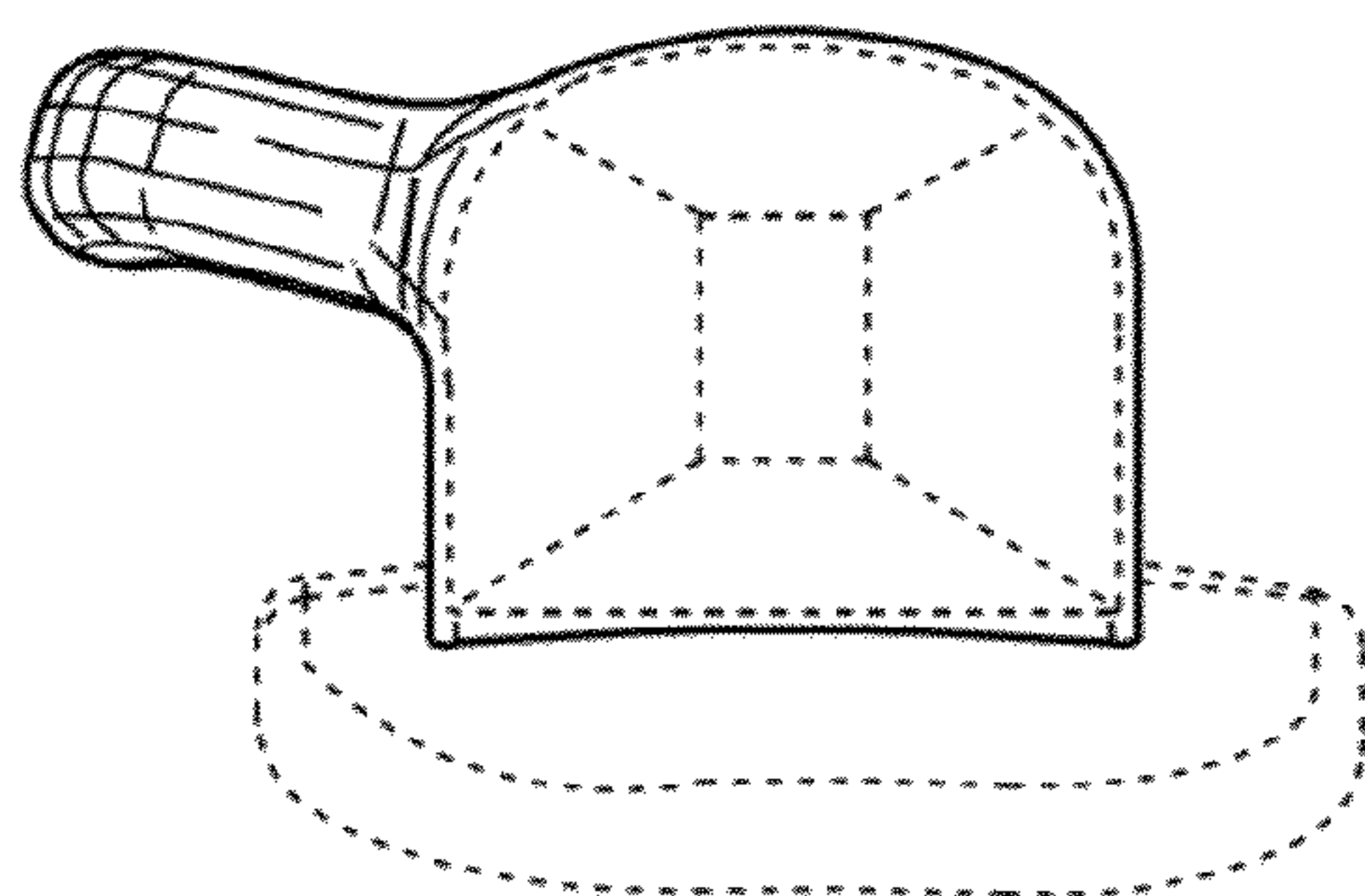


FIG. 5

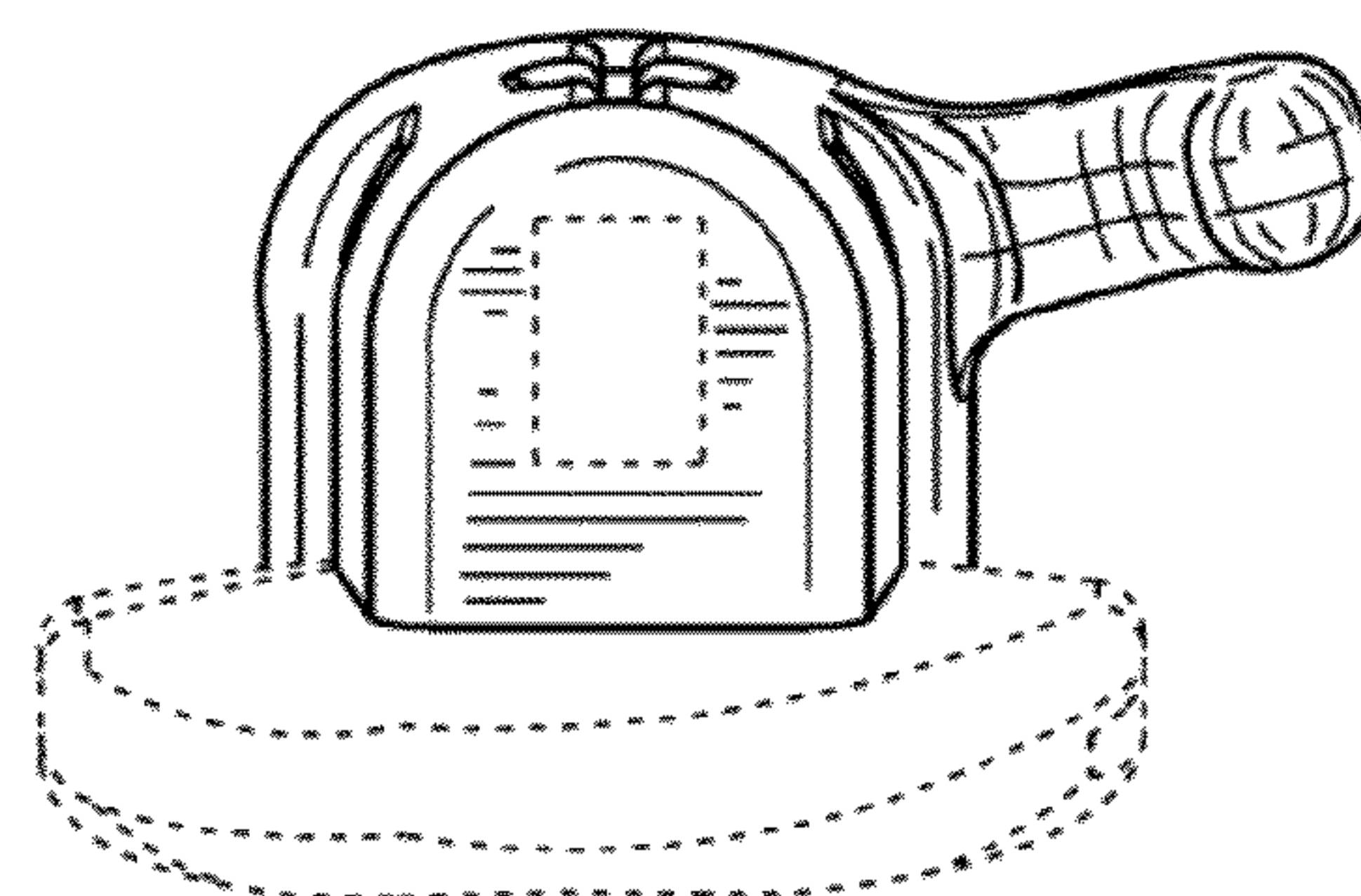


FIG. 6

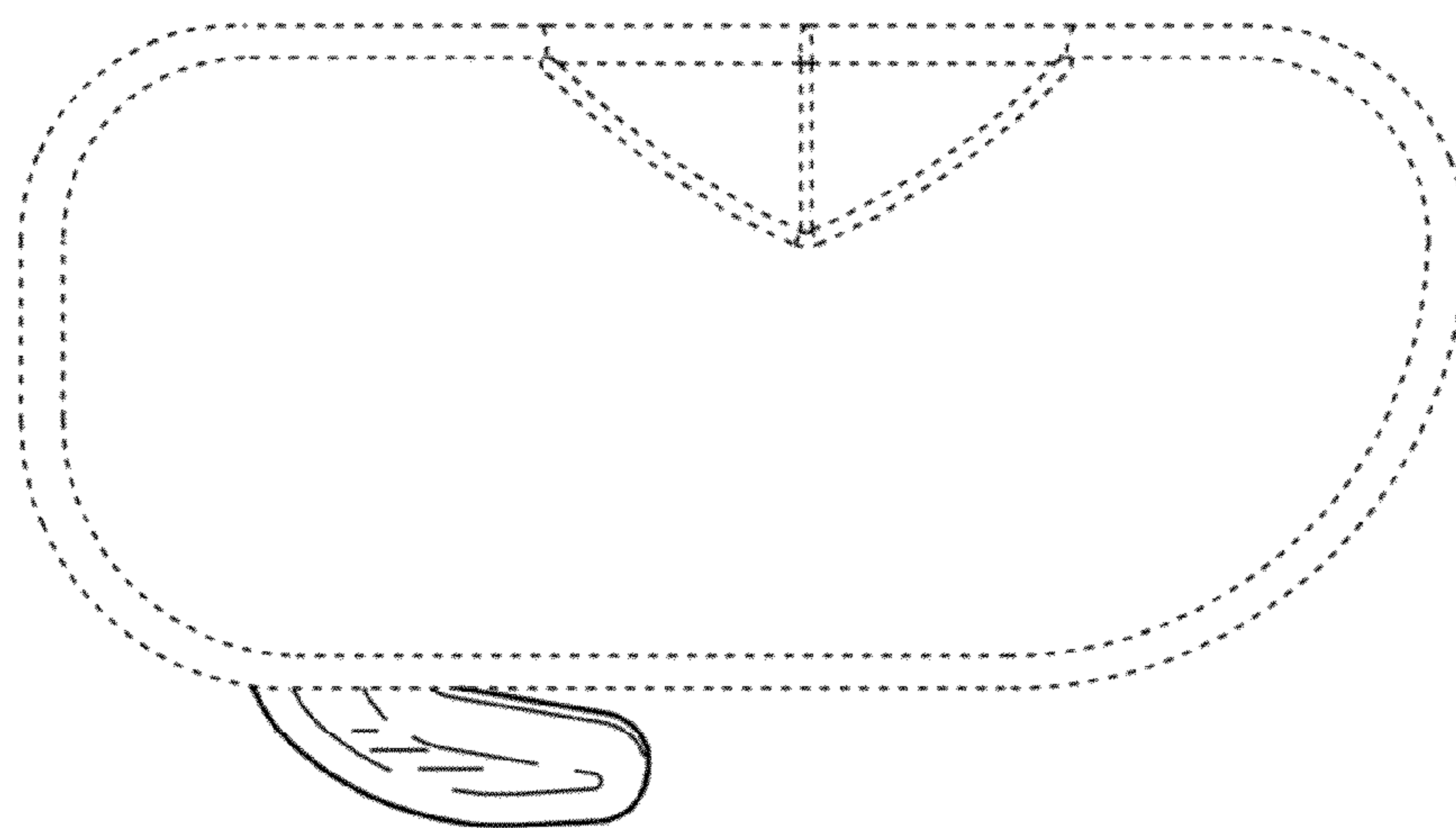


FIG. 7