

US00D720850S

(12) **United States Design Patent**  
**Hsia et al.**

(10) **Patent No.:** **US D720,850 S**  
(45) **Date of Patent:** **\*\* Jan. 6, 2015**

- (54) **CATHETER HUB**
- (71) Applicants: **Alex Hsia**, San Jose, CA (US); **Erhan H. Gunday**, Great Neck, NY (US); **Lawrence J. Gerrans**, San Anselmo, CA (US)
- (72) Inventors: **Alex Hsia**, San Jose, CA (US); **Erhan H. Gunday**, Great Neck, NY (US); **Lawrence J. Gerrans**, San Anselmo, CA (US)
- (73) Assignee: **Sanovas, Inc.**, San Rafael, CA (US)
- (\*\*) Term: **14 Years**
- (21) Appl. No.: **29/449,758**
- (22) Filed: **Mar. 15, 2013**
- (51) **LOC (10) Cl.** ..... **24-02**
- (52) **U.S. Cl.**  
USPC ..... **D24/130**
- (58) **Field of Classification Search**  
CPC ..... A61F 2/958; A61M 25/00; A61M 27/00;  
A61M 25/0043; A61M 25/0097  
USPC ..... D24/112-114, 129, 130, 127, 133, 186,  
D24/108; 606/181, 185; 604/264, 500, 506,  
604/509, 272, 115, 164.01-164.09, 533,  
604/232, 187, 168.01, 192, 19, 48, 93.01,  
604/523, 524, 526; 600/101, 139, 143;  
128/200.24, 207.14, 207.15  
See application file for complete search history.

5,846,246 A *	12/1998	Dirks et al.	606/194
5,938,671 A *	8/1999	Katoh et al.	606/185
5,967,984 A	10/1999	Chu et al.	
5,976,153 A *	11/1999	Fischell et al.	606/194
5,980,531 A *	11/1999	Goodin et al.	604/101.01
6,190,393 B1 *	2/2001	Bevier et al.	604/96.01
6,254,570 B1 *	7/2001	Rutner et al.	604/509
6,488,649 B1 *	12/2002	Lichten	606/185
6,761,732 B2 *	7/2004	Burkett et al.	623/1.11
6,989,024 B2 *	1/2006	Hebert et al.	604/264
6,997,943 B2 *	2/2006	Lee et al.	606/194
7,001,423 B2 *	2/2006	Euteneuer et al.	606/198
7,988,633 B2	8/2011	Hossack et al.	
8,206,374 B2	6/2012	Duane et al.	
8,226,601 B2	7/2012	Gunday et al.	
2011/0152683 A1	6/2011	Gerrans et al.	
2012/0238816 A1	9/2012	Gunday et al.	

\* cited by examiner

*Primary Examiner* — David Muller

(74) *Attorney, Agent, or Firm* — St. Onge Steward Johnston & Reens LLC

(57) **CLAIM**

The ornamental design for a catheter hub, as shown and described.

**DESCRIPTION**

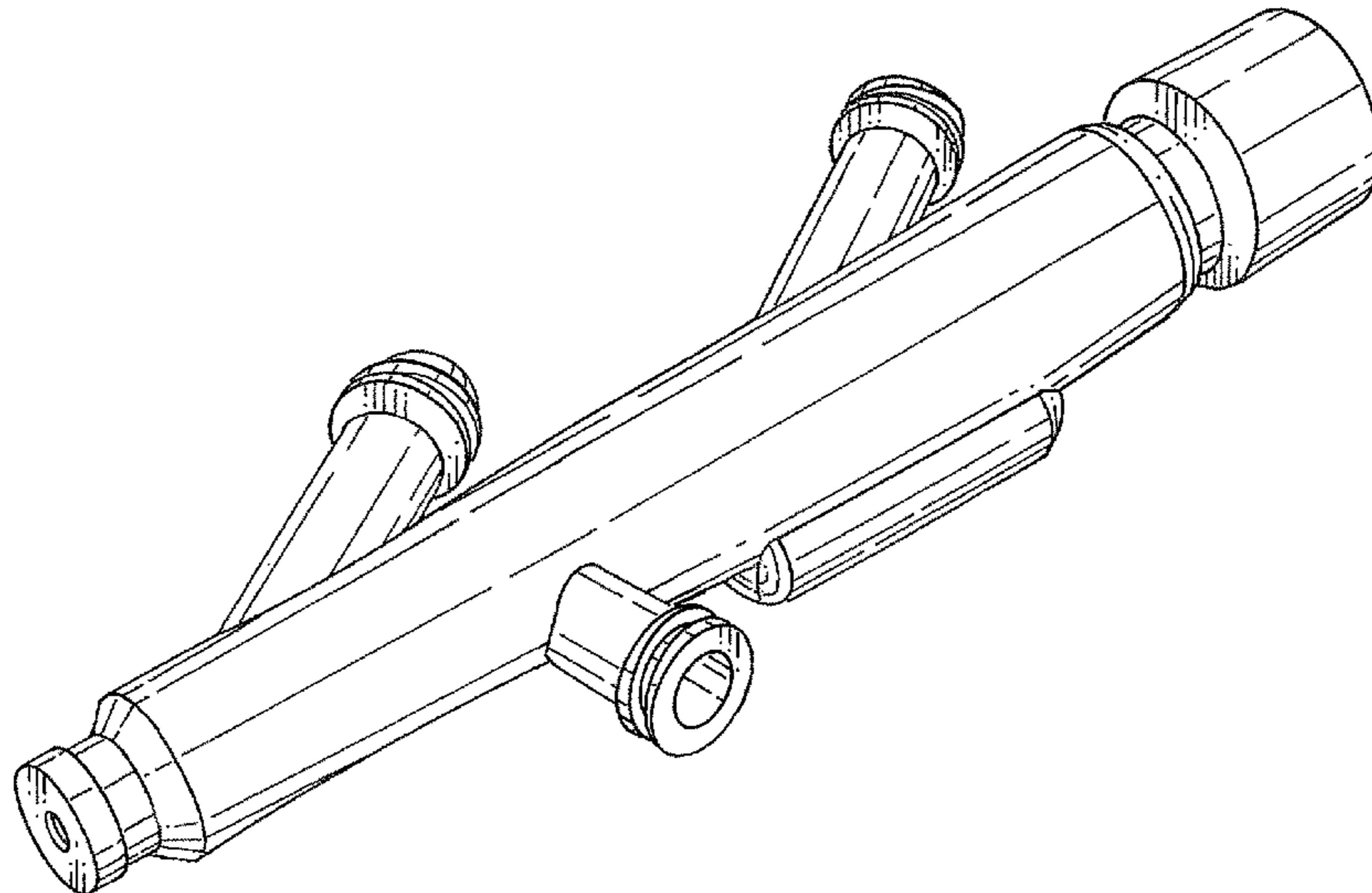
FIG. 1 is a left front bottom isometric view of a catheter hub in accordance with the new design;  
 FIG. 2 is a top view thereof;  
 FIG. 3 is a bottom view thereof;  
 FIG. 4 is a left elevation view thereof;  
 FIG. 5 is a right elevation view thereof;  
 FIG. 6 is a front elevation view thereof;  
 FIG. 7 is a rear elevation view thereof; and,  
 FIG. 8 is a left front bottom isometric view with the strain relief and sealing mechanism attached.  
 The broken lines shown in FIGS. 2-4 and FIGS. 6-8 illustrate portions of the catheter hub that form no part of the claimed design.

(56) **References Cited**

U.S. PATENT DOCUMENTS

D313,849 S *	1/1991	Robinson	D24/129
5,090,959 A	2/1992	Samson et al.	
5,181,508 A *	1/1993	Poole, Jr.	128/207.14
5,316,016 A	5/1994	Adams et al.	
5,749,848 A	5/1998	Jang et al.	

**1 Claim, 5 Drawing Sheets**



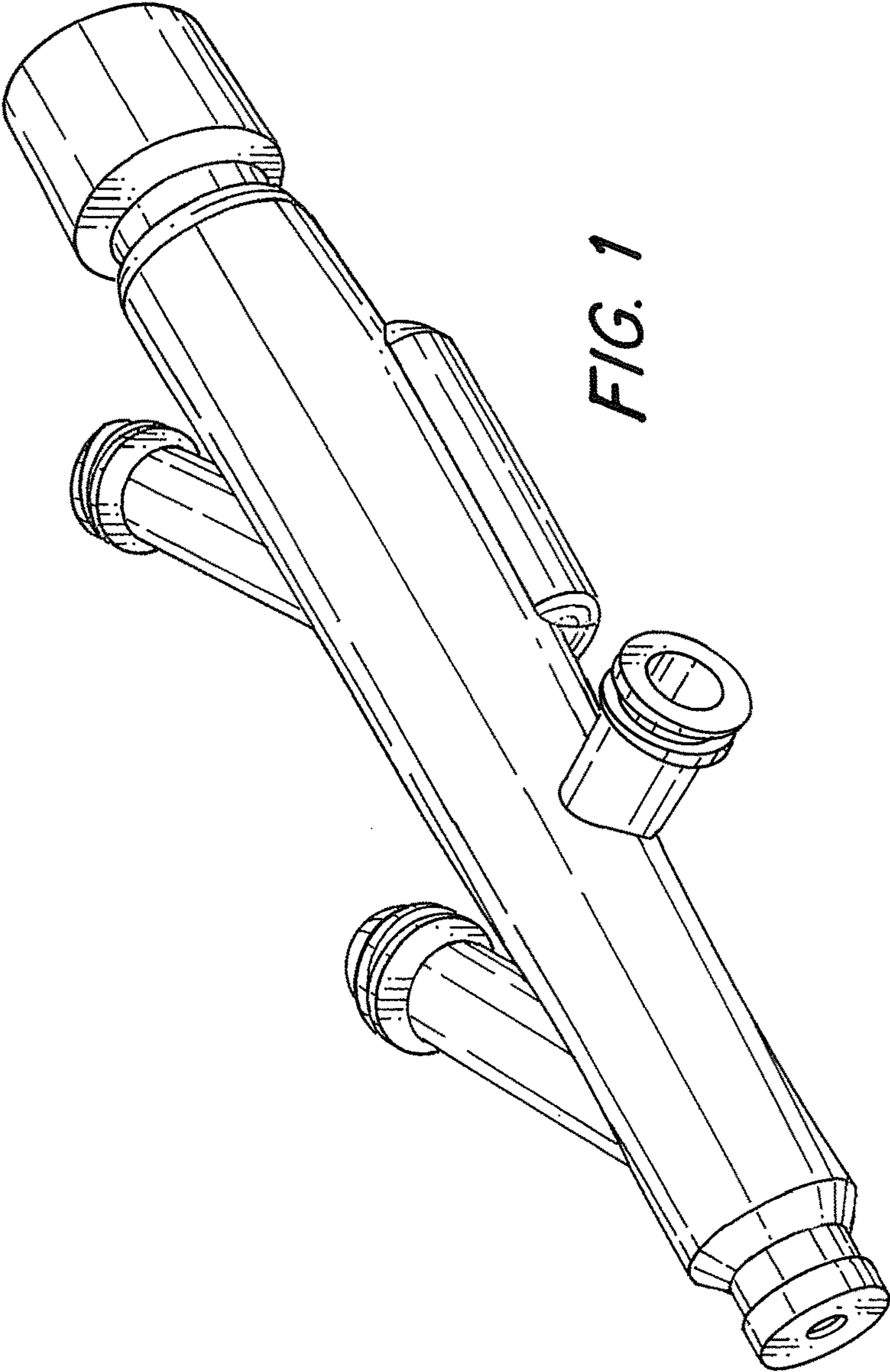


FIG. 1

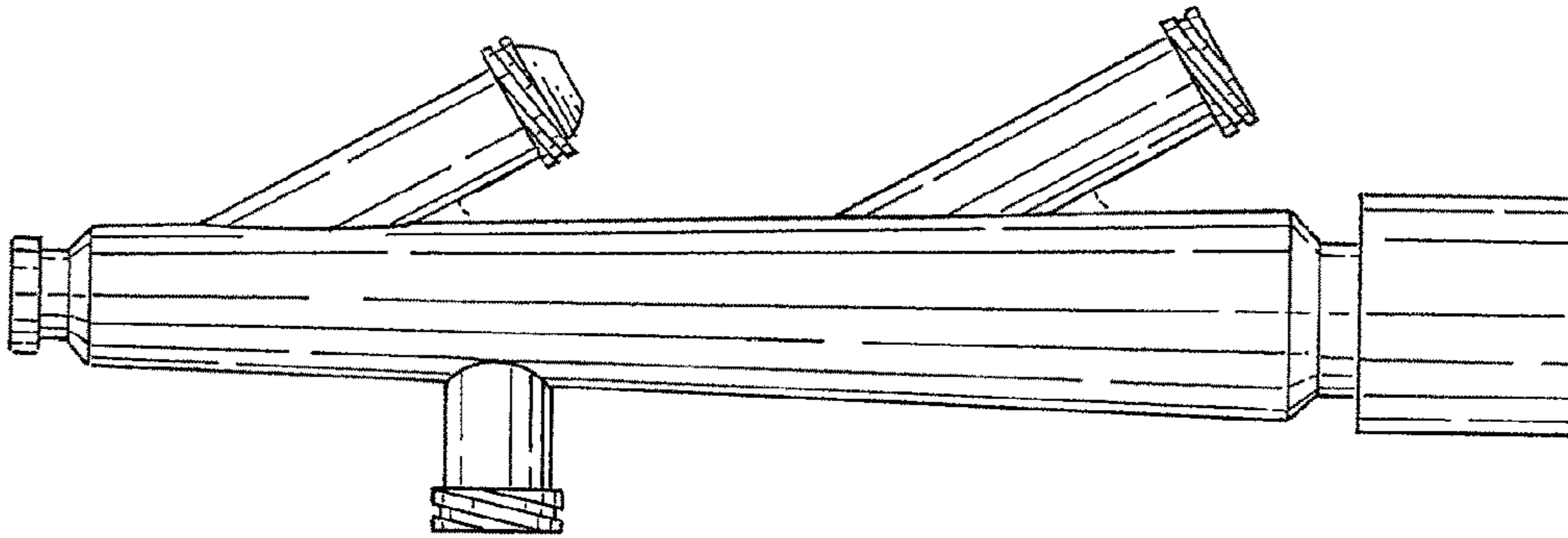


FIG. 2

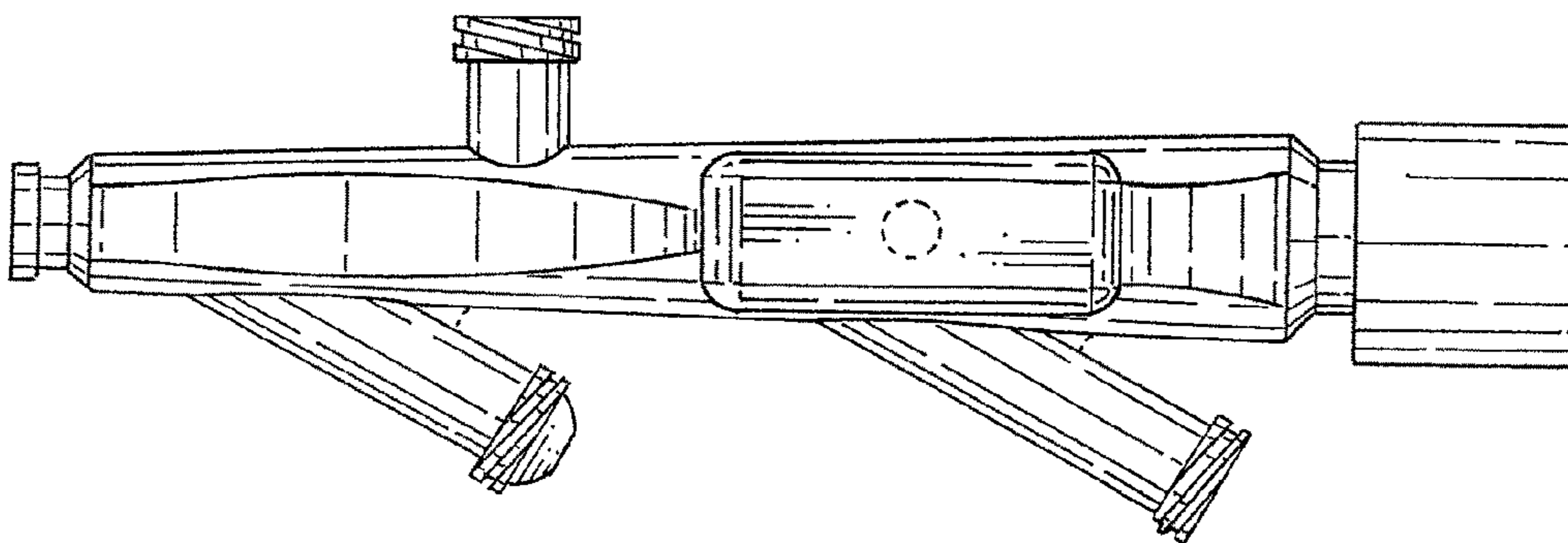
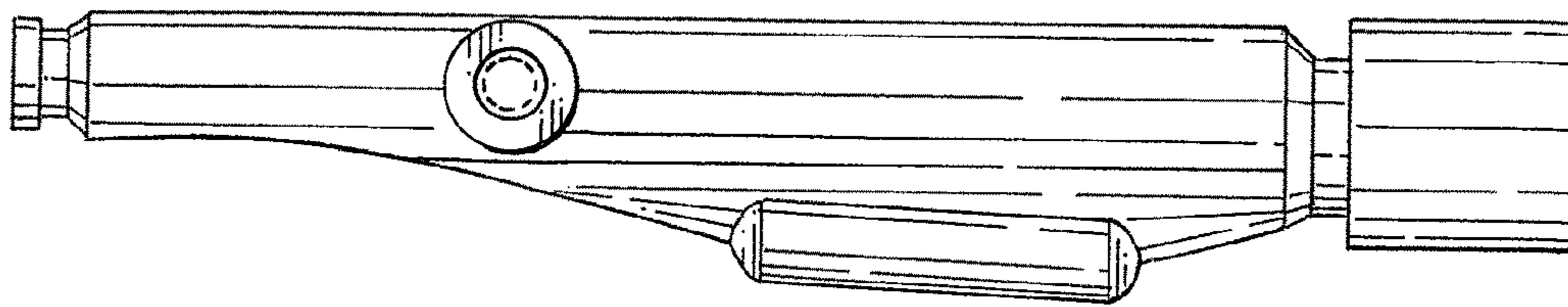
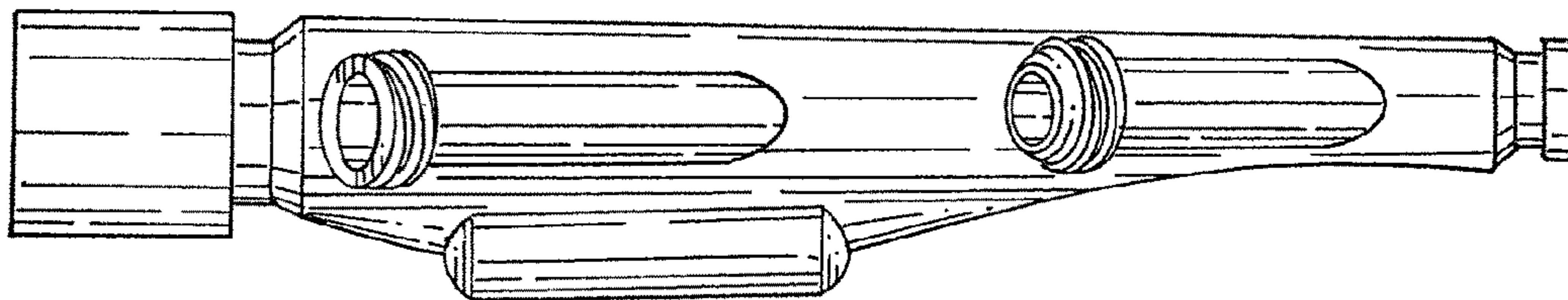


FIG. 3



*FIG. 4*



*FIG. 5*



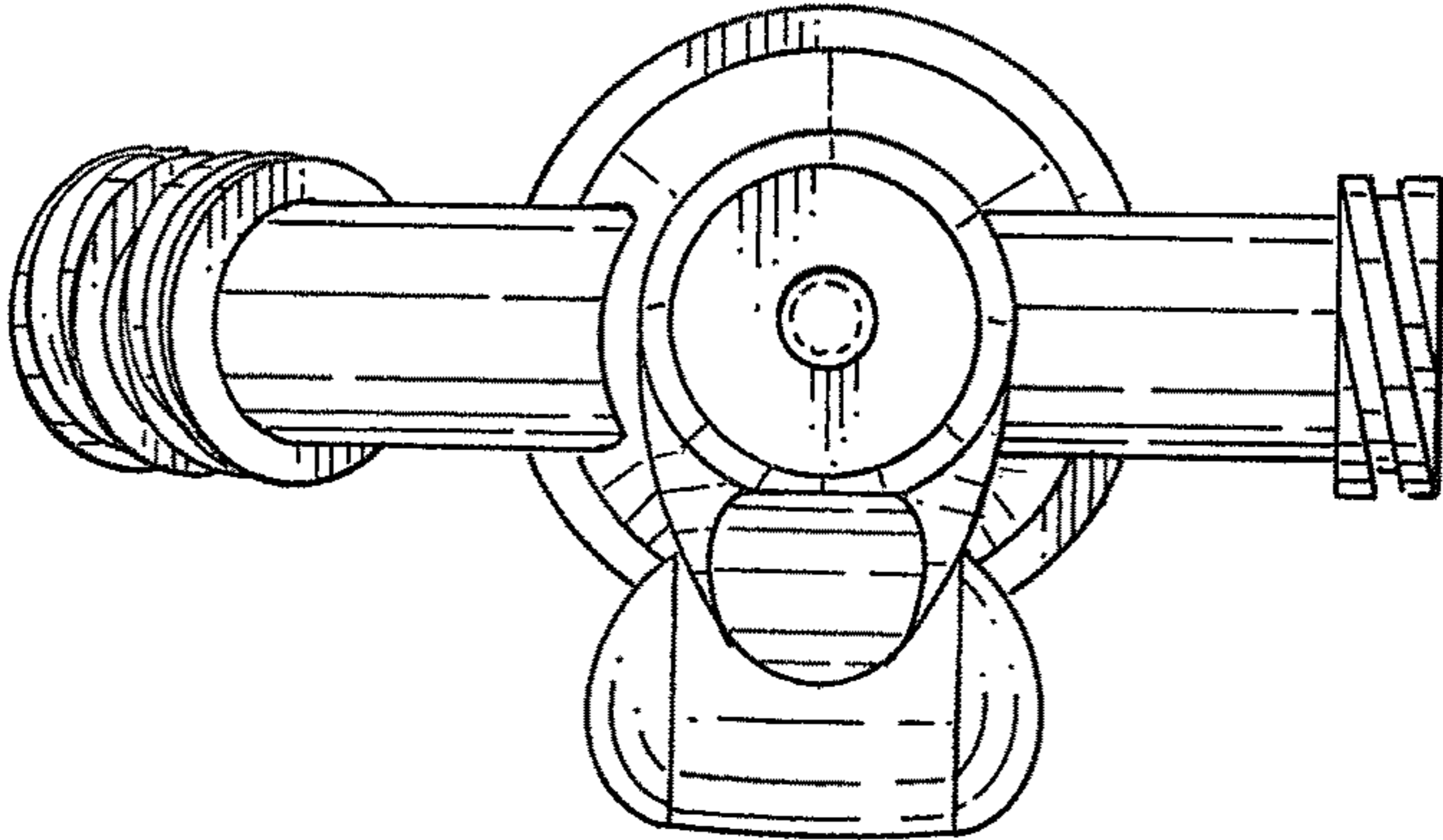


FIG. 6

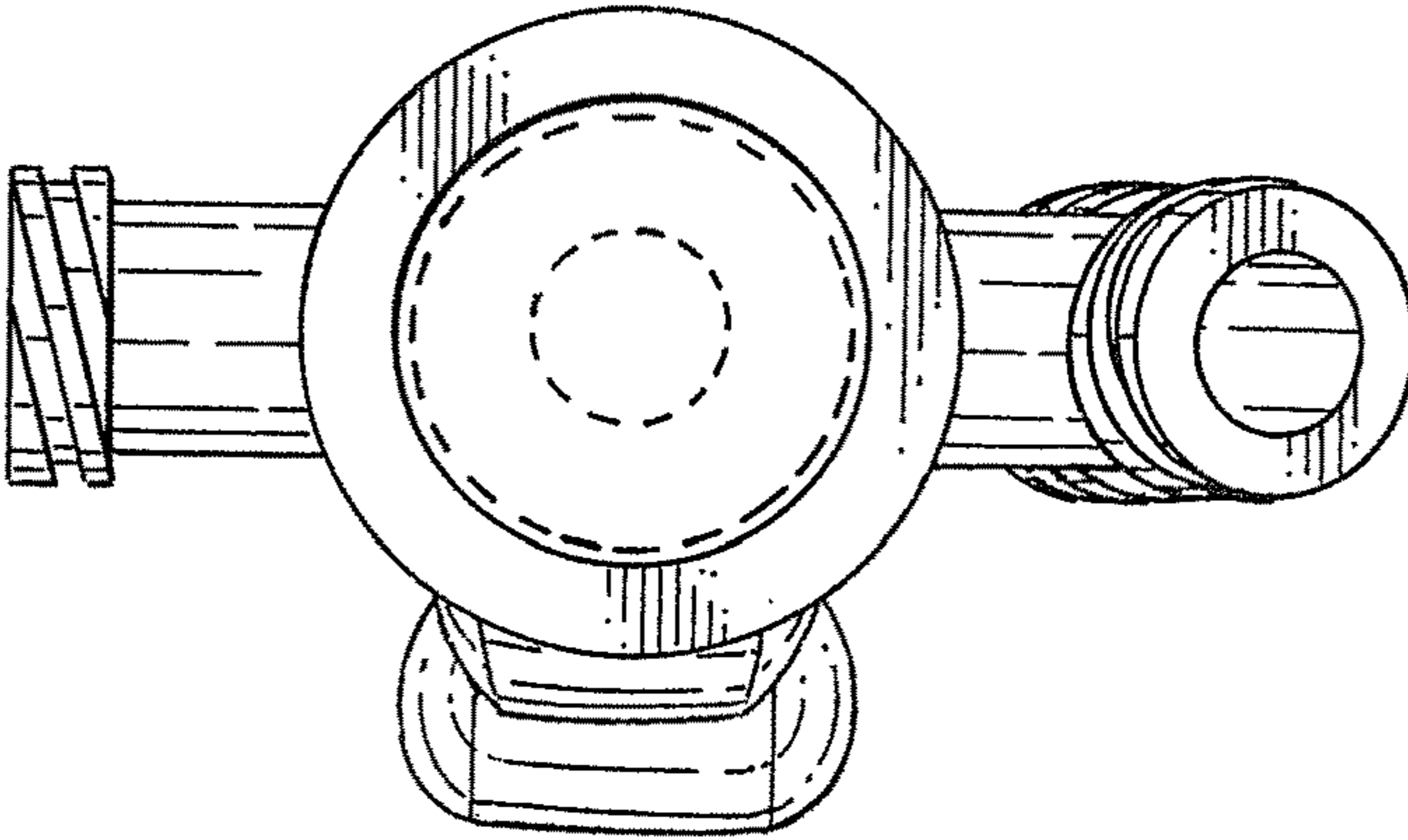


FIG. 7

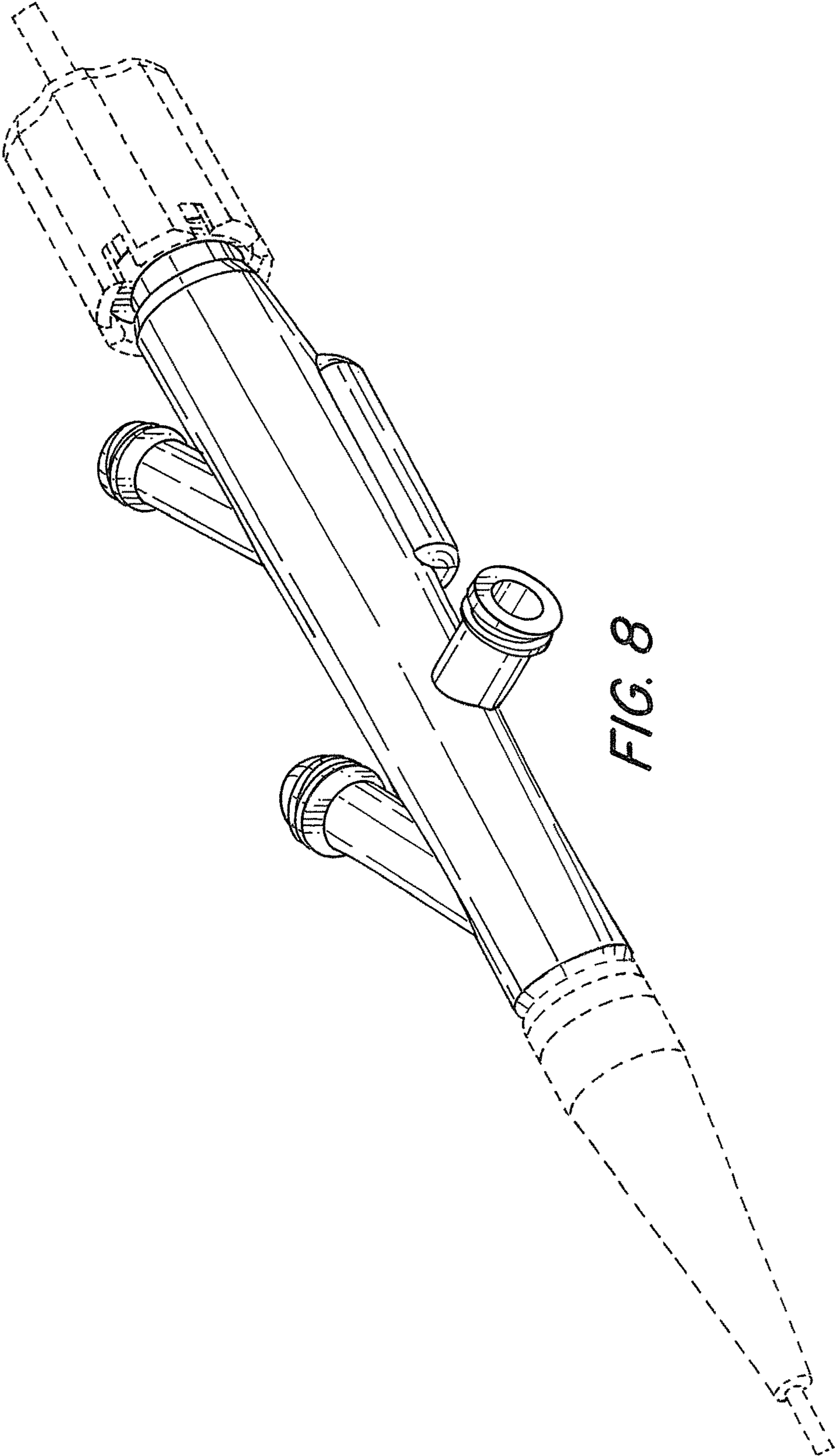


FIG. 8