



US00D720847S

(12) **United States Design Patent**
Mladenovic et al.

(10) **Patent No.:** **US D720,847 S**
(45) **Date of Patent:** **** Jan. 6, 2015**

(54) **DISPOSABLE STYLET**

(56) **References Cited**

(71) Applicant: **BrainLAB AG**, Feldkirchen (DE)

U.S. PATENT DOCUMENTS

(72) Inventors: **Patra Mladenovic**, Karlsfeld (DE);
Elmar Schereth, Munich (DE); **Marc Brokelmann**, Munich (DE); **Alexander Druse**, Munich (DE)

1,524,478 A	1/1923	Hunter	
1,977,096 A	5/1934	Straubel	
D95,961 S	6/1935	Horwitt	
2,164,926 A	7/1939	Kleine	
2,420,021 A	9/1944	Straubel et al.	
3,194,238 A	7/1965	Breece, Jr.	
D220,503 S	4/1971	Church	
3,635,641 A	1/1972	Turner	
3,809,081 A	5/1974	Loveless	
D263,873 S	4/1982	Genese	
D284,507 S	7/1986	Leopoldi	
4,808,168 A	2/1989	Warring	
D300,243 S	3/1989	Lee	
4,826,492 A	5/1989	Magasi	
5,250,035 A *	10/1993	Smith et al.	604/168.01
D342,995 S	1/1994	Simmons	
2,378,348 A	2/1994	Wilmes et al.	
D353,001 S	11/1994	Petersen	
D359,801 S	6/1995	Boykin et al.	
5,486,161 A	1/1996	Lax et al.	
D369,858 S	5/1996	Baker et al.	
D379,515 S *	5/1997	Kuehn et al.	D24/146
D403,405 S *	12/1998	Terwilliger	D24/130
5,848,986 A	12/1998	Lundquist et al.	
5,947,726 A	9/1999	Takeuchi et al.	
6,116,899 A	9/2000	Takeuchi	
D473,648 S	4/2003	Muraca	
D548,836 S	8/2007	Lang et al.	
D561,842 S	2/2008	Bowling	
D567,367 S	4/2008	Mongeon	
7,561,916 B2	7/2009	Hunt et al.	
D598,548 S	8/2009	Muraca	
7,651,509 B2	1/2010	Bojarski et al.	
D634,010 S	3/2011	DeCarlo	
D638,017 S	5/2011	Ortiz	
2005/0033363 A1	2/2005	Bojarski et al.	
2009/0093752 A1	4/2009	Richard et al.	
2011/0077644 A1	3/2011	Pham et al.	
2012/0165736 A1 *	6/2012	Maule et al.	604/164.01
2014/0066854 A1 *	3/2014	Martin et al.	604/164.01

(73) Assignee: **Brainlab AG**, Feldkirchen (DE)

(**) Term: **14 Years**

(21) Appl. No.: **29/452,825**

(22) Filed: **Apr. 22, 2013**

Related U.S. Application Data

(63) Continuation of application No. 29/385,157, filed on Feb. 9, 2011, now abandoned.

(30) **Foreign Application Priority Data**

Aug. 9, 2010	(EM)	001228969-0001
Aug. 9, 2010	(EM)	001228969-0002
Aug. 9, 2010	(EM)	001228969-0003
Aug. 9, 2010	(EM)	001228969-0004
Aug. 9, 2010	(EM)	001228969-0005
Aug. 9, 2010	(EM)	001228969-0006
Aug. 9, 2010	(EM)	001228969-0007
Aug. 9, 2010	(EM)	001228969-0008
Aug. 9, 2010	(EM)	001228969-0009
Aug. 9, 2010	(EM)	001228969-00010
Aug. 9, 2010	(EM)	001228969-00011
Aug. 9, 2010	(EM)	001228969-00012

(51) **LOC (10) Cl.** **24-02**

(52) **U.S. Cl.**
USPC **D24/112; D24/146**

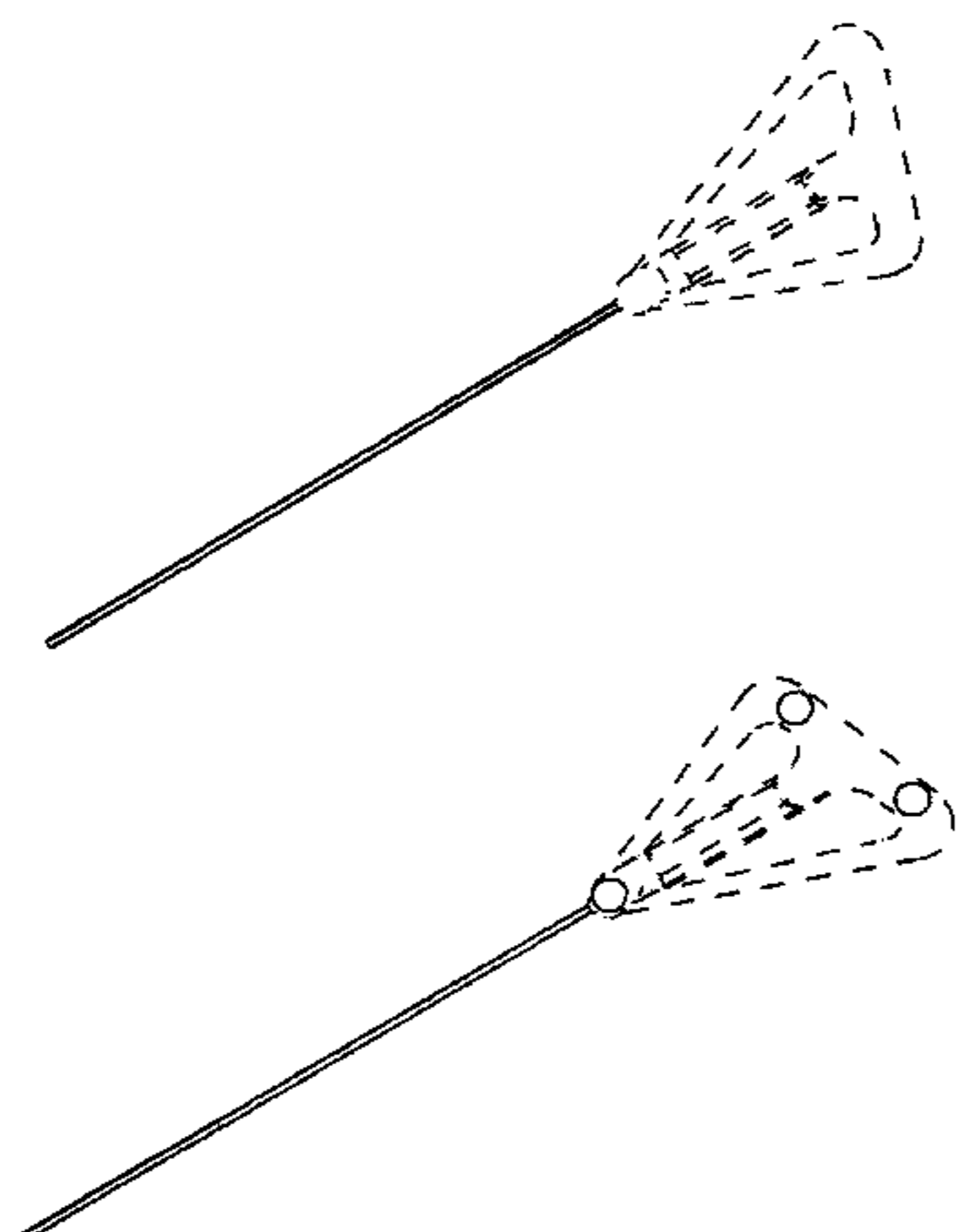
(58) **Field of Classification Search**
USPC D24/142, 112-113, 127, 130-131, 133,
D24/140, 135, 145-147, 230; 604/164.01,
604/164.11, 164.12, 165.01, 167.06,
604/170.01, 140.02, 264
See application file for complete search history.

* cited by examiner

Primary Examiner — Wan Laymon
(74) *Attorney, Agent, or Firm* — Tucker Ellis LLP

(57) **CLAIM**

The ornamental design for a disposable stylet, as shown and described.



DESCRIPTION

FIG. 1 is a front end view of a first embodiment of a disposable stylet showing my new design.

FIG. 2 is a left side view of the disposable stylet of FIG. 1.

FIG. 3 is a top view of the disposable stylet of FIG. 1.

FIG. 4 is a right side view of the disposable stylet of FIG. 1.

FIG. 5 is a bottom view of the disposable stylet of FIG. 1.

FIG. 6 is a rear end view of the disposable stylet of FIG. 1.

FIG. 7 is a bottom perspective view of the disposable stylet of FIG. 1.

FIG. 8 is a top perspective view of the disposable stylet of FIG. 1.

FIG. 9 is a front end view of a second embodiment of a disposable stylet.

FIG. 10 is a left side view of the disposable stylet of FIG. 9.

FIG. 11 is a top view of the disposable stylet of FIG. 9.

FIG. 12 is a right view of the disposable stylet of FIG. 9.

FIG. 13 is a bottom view of the disposable stylet of FIG. 9.

FIG. 14 is a rear end view of the disposable stylet of FIG. 9.

FIG. 15 is a bottom perspective view of the disposable stylet of FIG. 9.

FIG. 16 is a top perspective view of the disposable stylet of FIG. 9.

FIG. 17 is a front end view of a third embodiment of a disposable stylet.

FIG. 18 is a left view of the disposable stylet of FIG. 17.

FIG. 19 is a top view of the disposable stylet of FIG. 17.

FIG. 20 is a right view of the disposable stylet of FIG. 17.

FIG. 21 is a bottom view of the disposable stylet of FIG. 17.

FIG. 22 is a rear end view of the disposable stylet of FIG. 17.

FIG. 23 is a bottom perspective view of the disposable stylet of FIG. 17.

FIG. 24 is a top perspective view of the disposable stylet of FIG. 17.

FIG. 25 is a front end view of a fourth embodiment of a disposable stylet.

FIG. 26 is a left view of the disposable stylet of FIG. 25.

FIG. 27 is a top view of the disposable stylet of FIG. 25.

FIG. 28 is a right view of the disposable stylet of FIG. 25.

FIG. 29 is a bottom view of the disposable stylet of FIG. 25.

FIG. 30 is a rear end view of the disposable stylet of FIG. 25.

FIG. 31 is a bottom perspective view of the disposable stylet of FIG. 25.

FIG. 32 is a top perspective view of the disposable stylet of FIG. 25.

FIG. 33 is a front end view of a fifth embodiment of a disposable stylet.

FIG. 34 is a left view of the disposable stylet of FIG. 33.

FIG. 35 is a top view of the disposable stylet of FIG. 33.

FIG. 36 is a right view of the disposable stylet of FIG. 33.

FIG. 37 is a bottom view of the disposable stylet of FIG. 33.

FIG. 38 is a rear end view of the disposable stylet of FIG. 33.

FIG. 39 is a bottom perspective view of the disposable stylet of FIG. 33.

FIG. 40 is a top perspective view of the disposable stylet of FIG. 33.

FIG. 41 is a front end view of a sixth embodiment of a disposable stylet.

FIG. 42 is a left view of the disposable stylet of FIG. 41.

FIG. 43 is a top view of the disposable stylet of FIG. 41.

FIG. 44 is a right view of the disposable stylet of FIG. 41.

FIG. 45 is a bottom view of the disposable stylet of FIG. 41.

FIG. 46 is a rear end view of the disposable stylet of FIG. 41.

FIG. 47 is a bottom perspective view of the disposable stylet of FIG. 41; and,

FIG. 48 is a top perspective view of the disposable stylet of FIG. 41.

The broken line showing of portions of the disposable stylet of FIGS. 1-48 is included for the purpose of illustrating environmental structure and forms no part of the claimed design.

1 Claim, 6 Drawing Sheets

FIG. 1

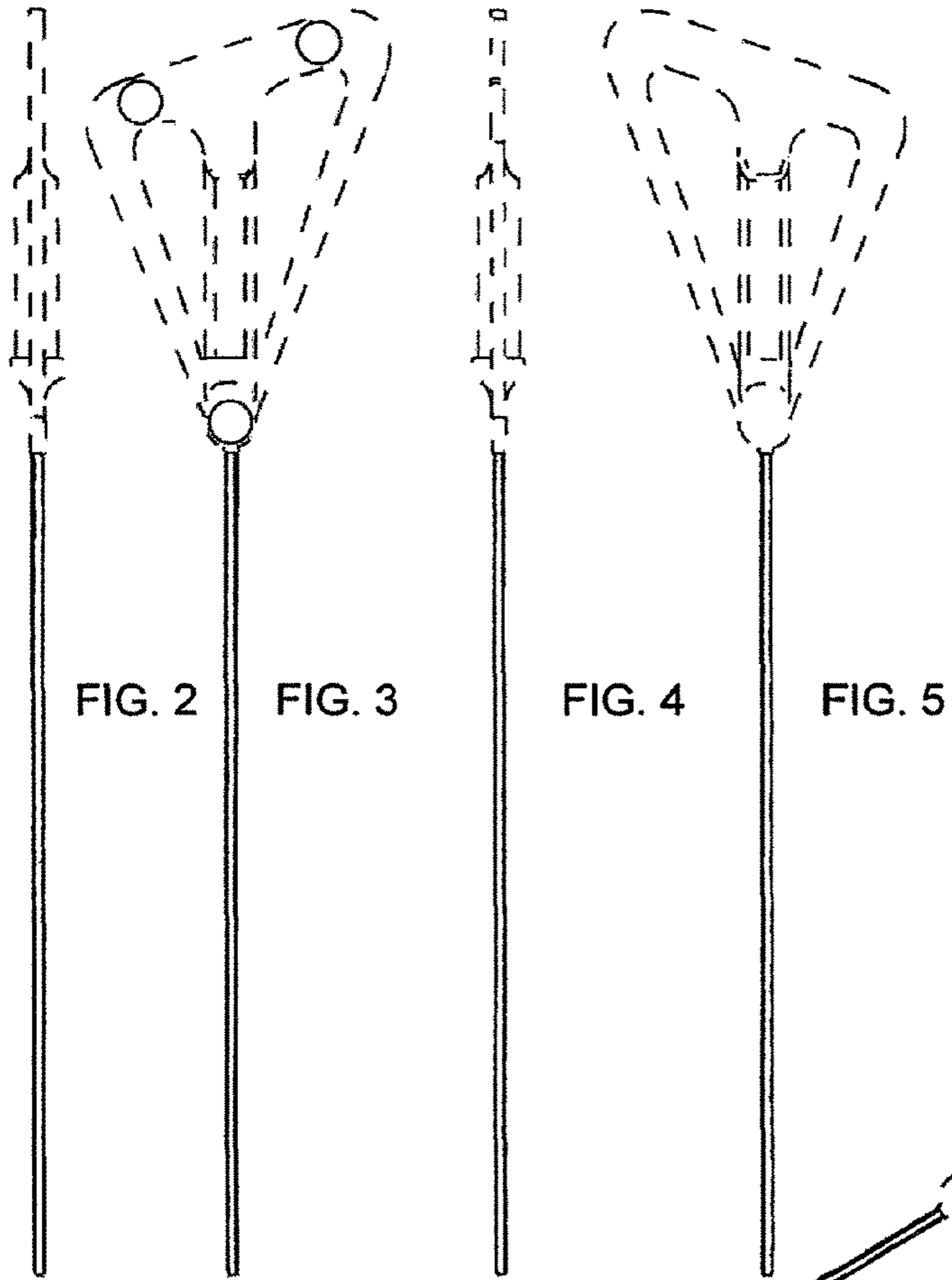


FIG. 6

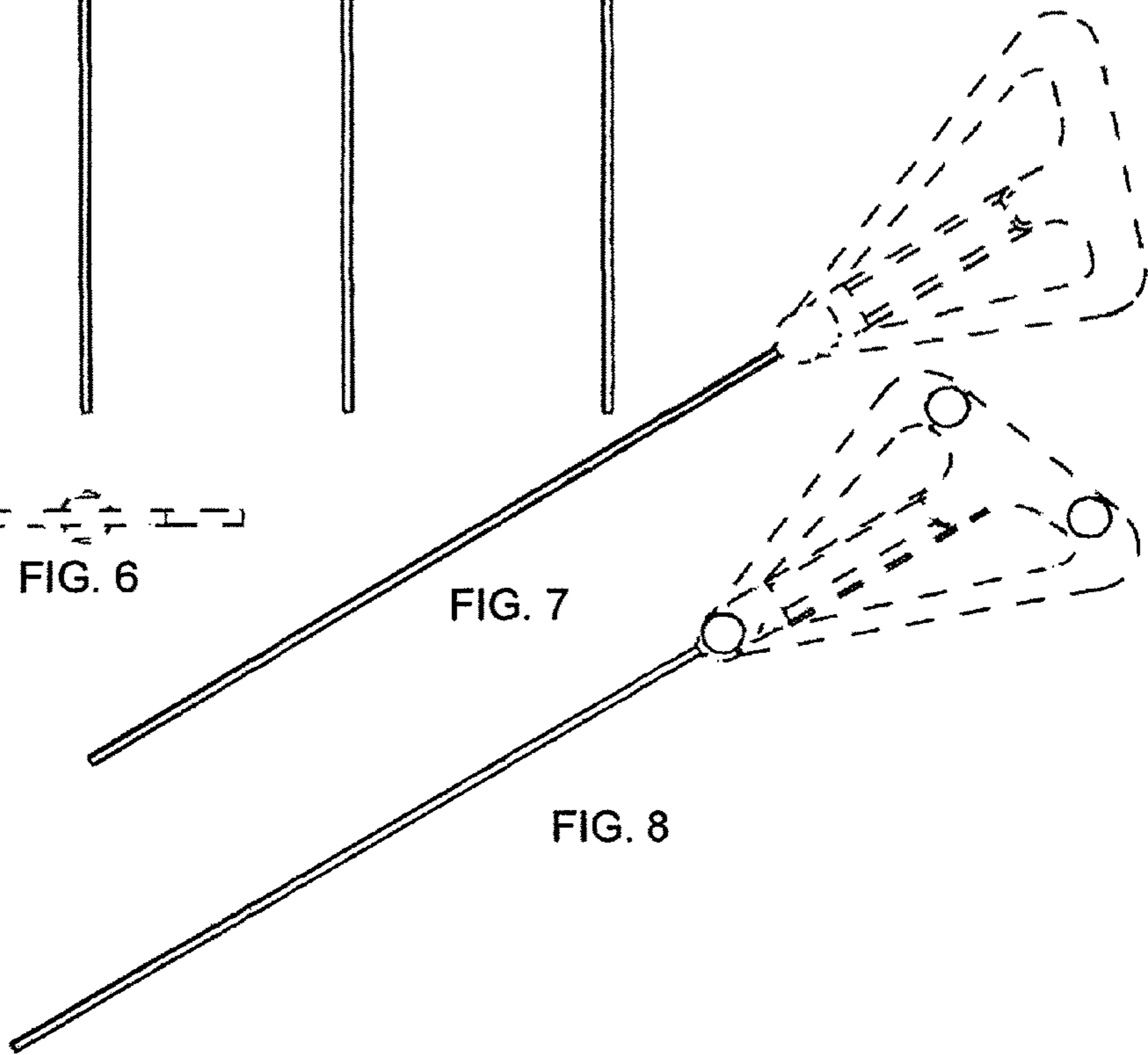


FIG. 9

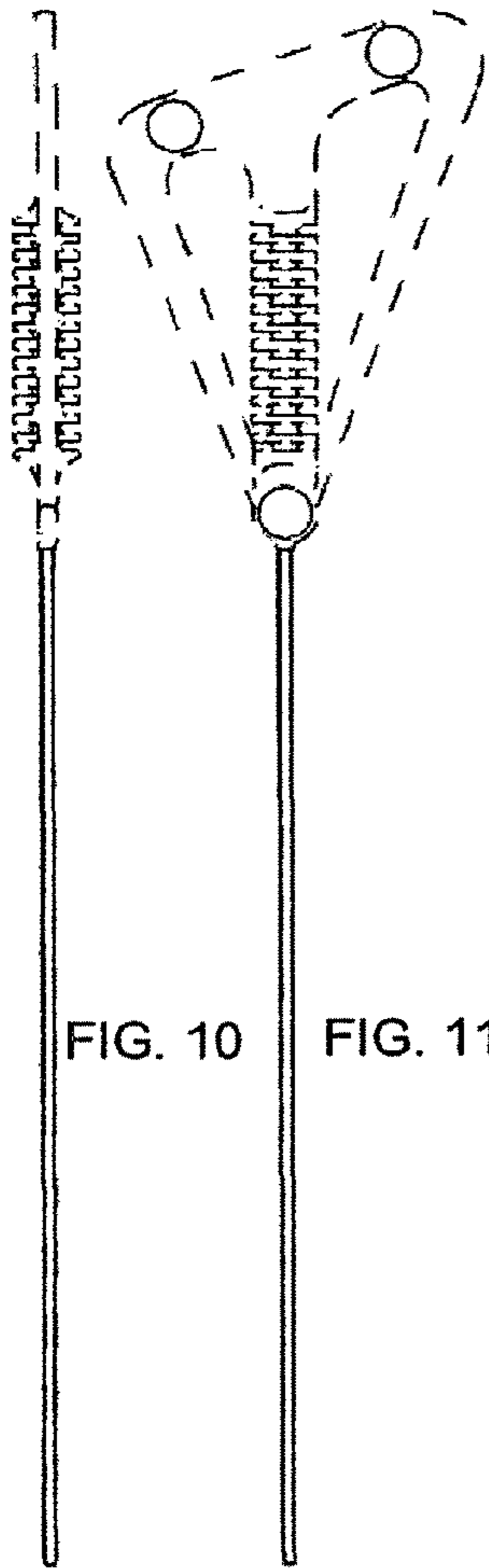


FIG. 10

FIG. 11

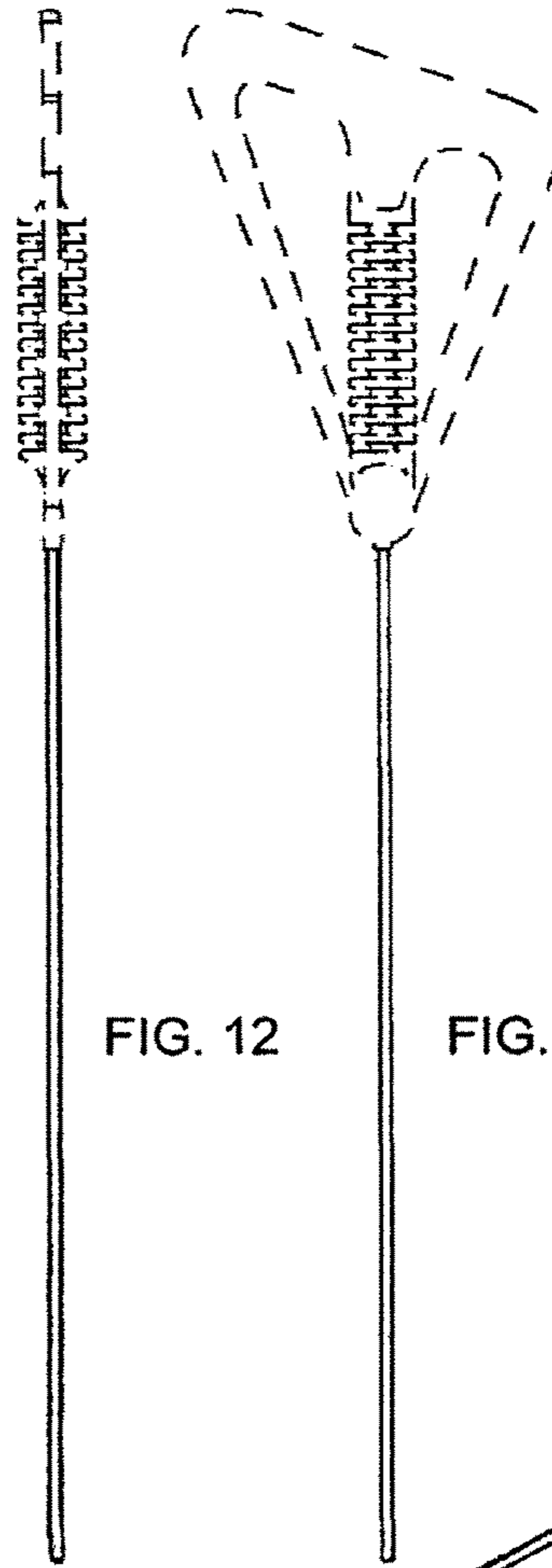


FIG. 12

FIG. 13

FIG. 14

FIG. 15

FIG. 16

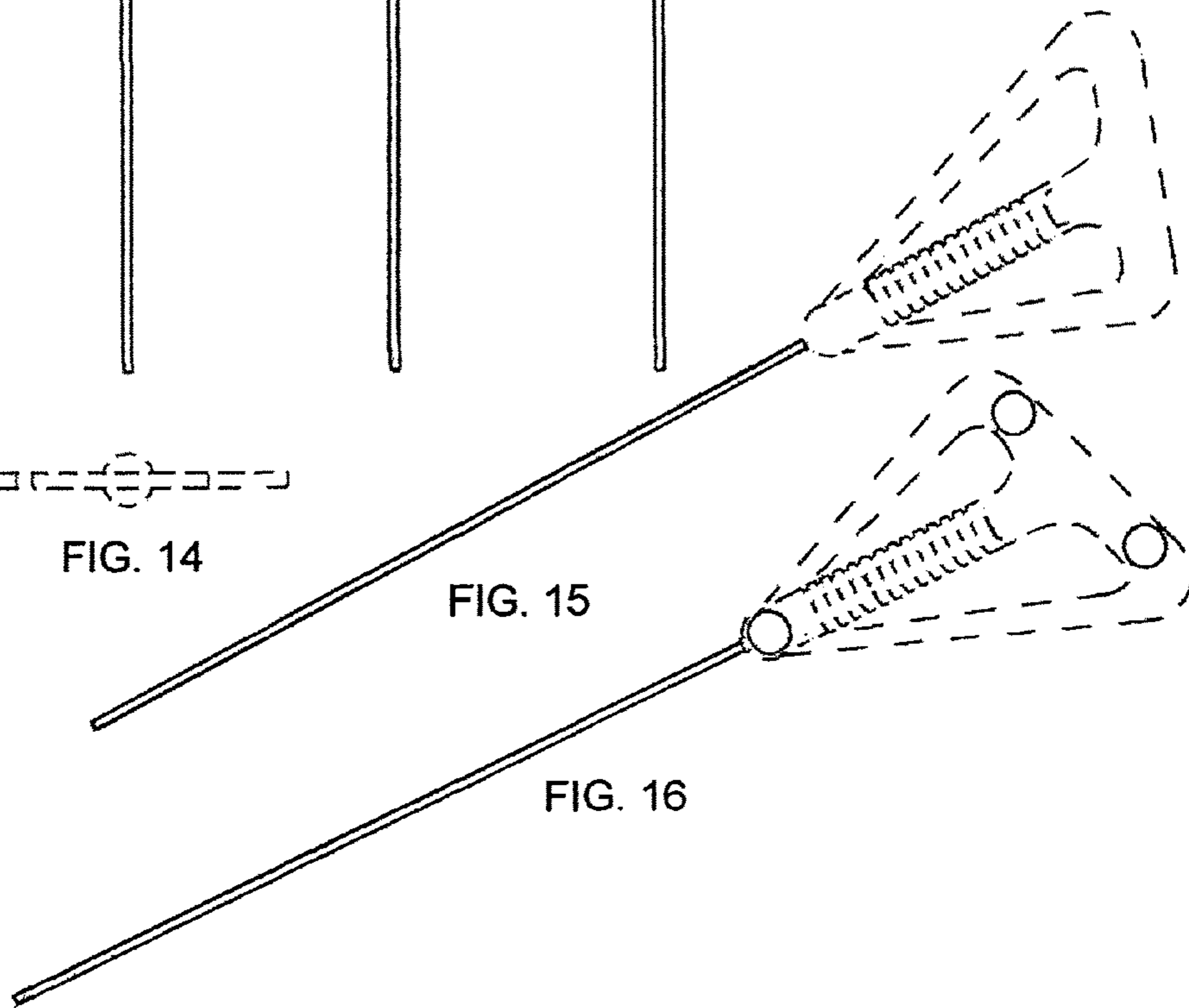


FIG. 17

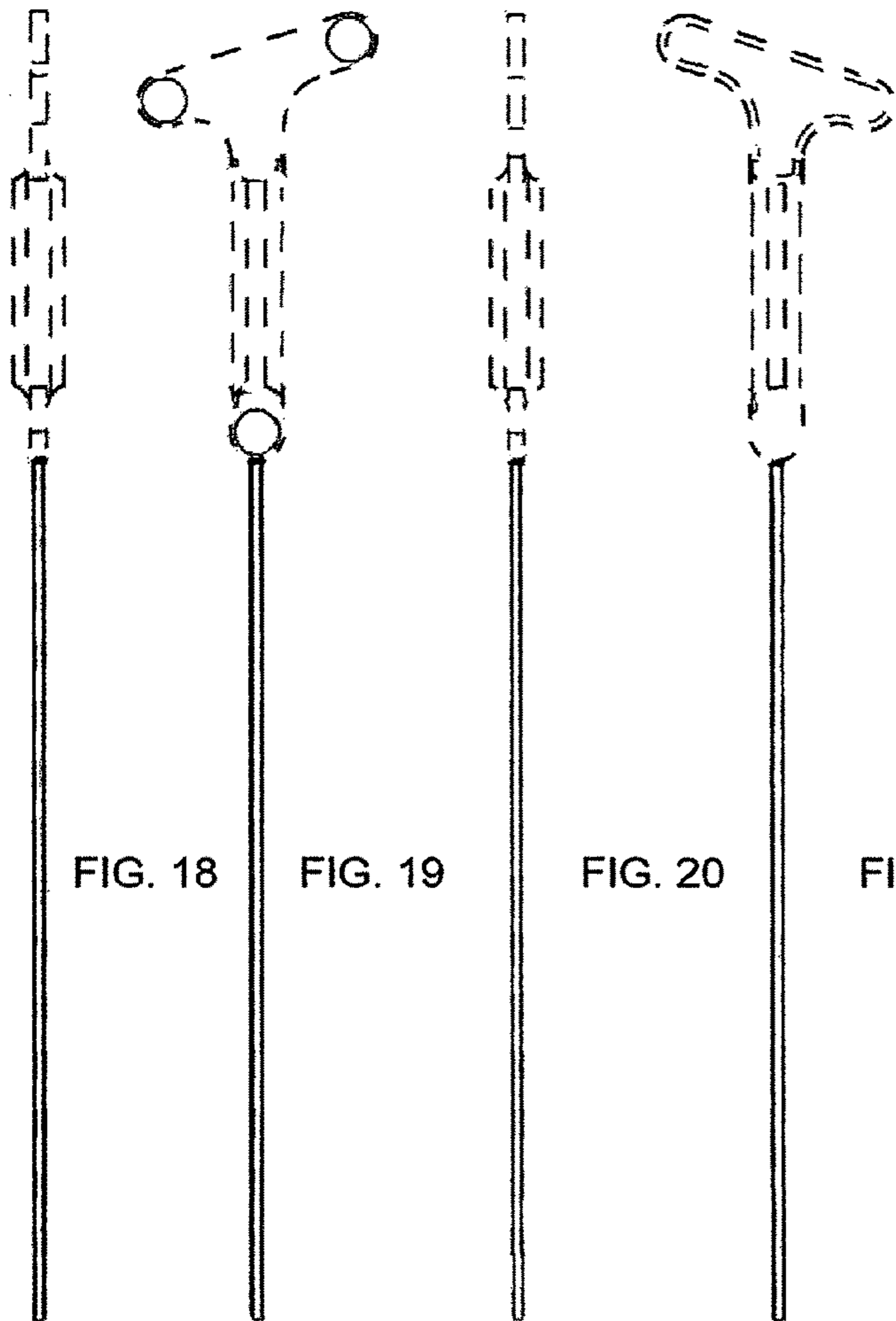


FIG. 18

FIG. 19

FIG. 20

FIG. 21

FIG. 22

FIG. 22

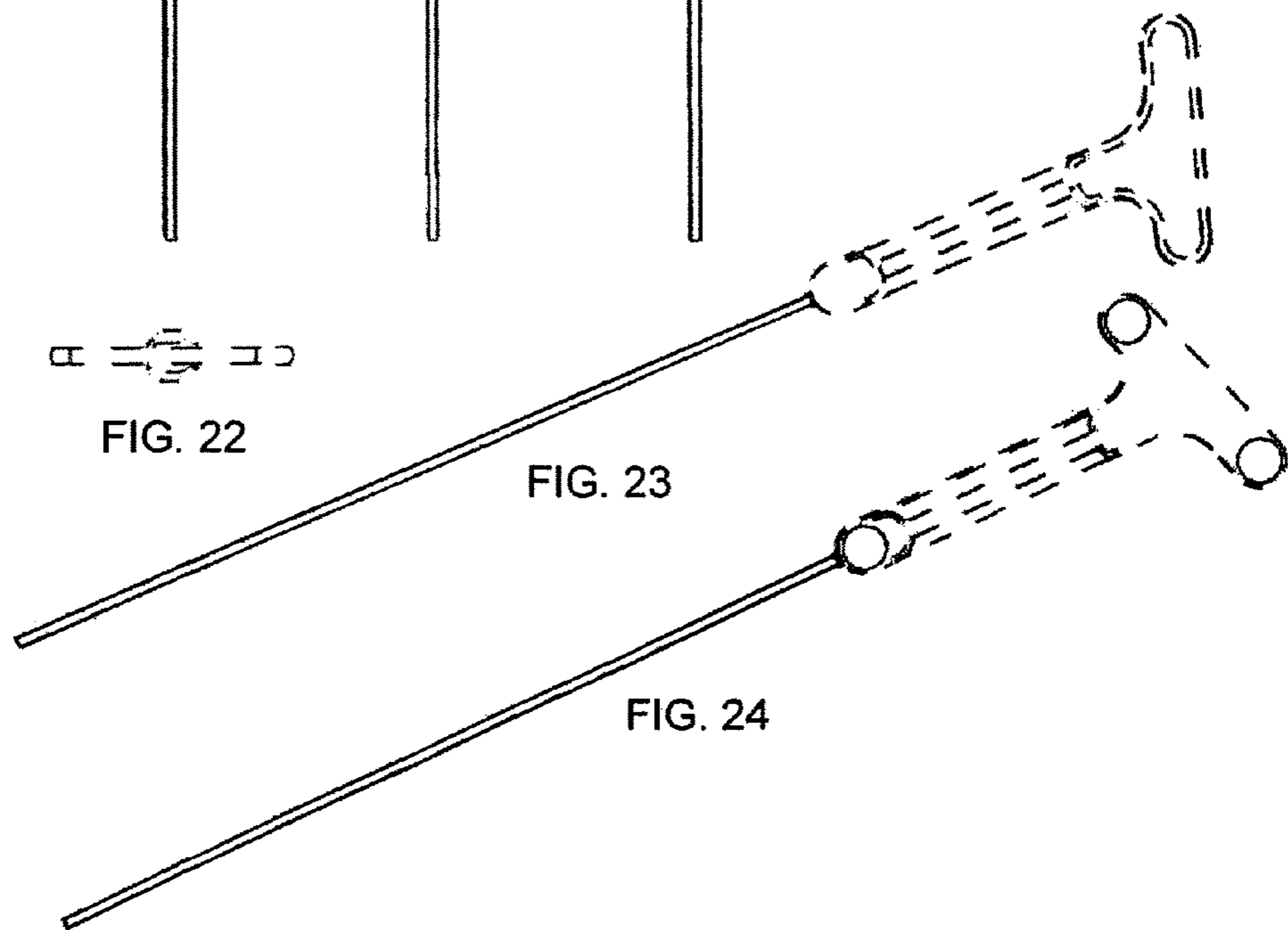


FIG. 23

FIG. 24

FIG. 25

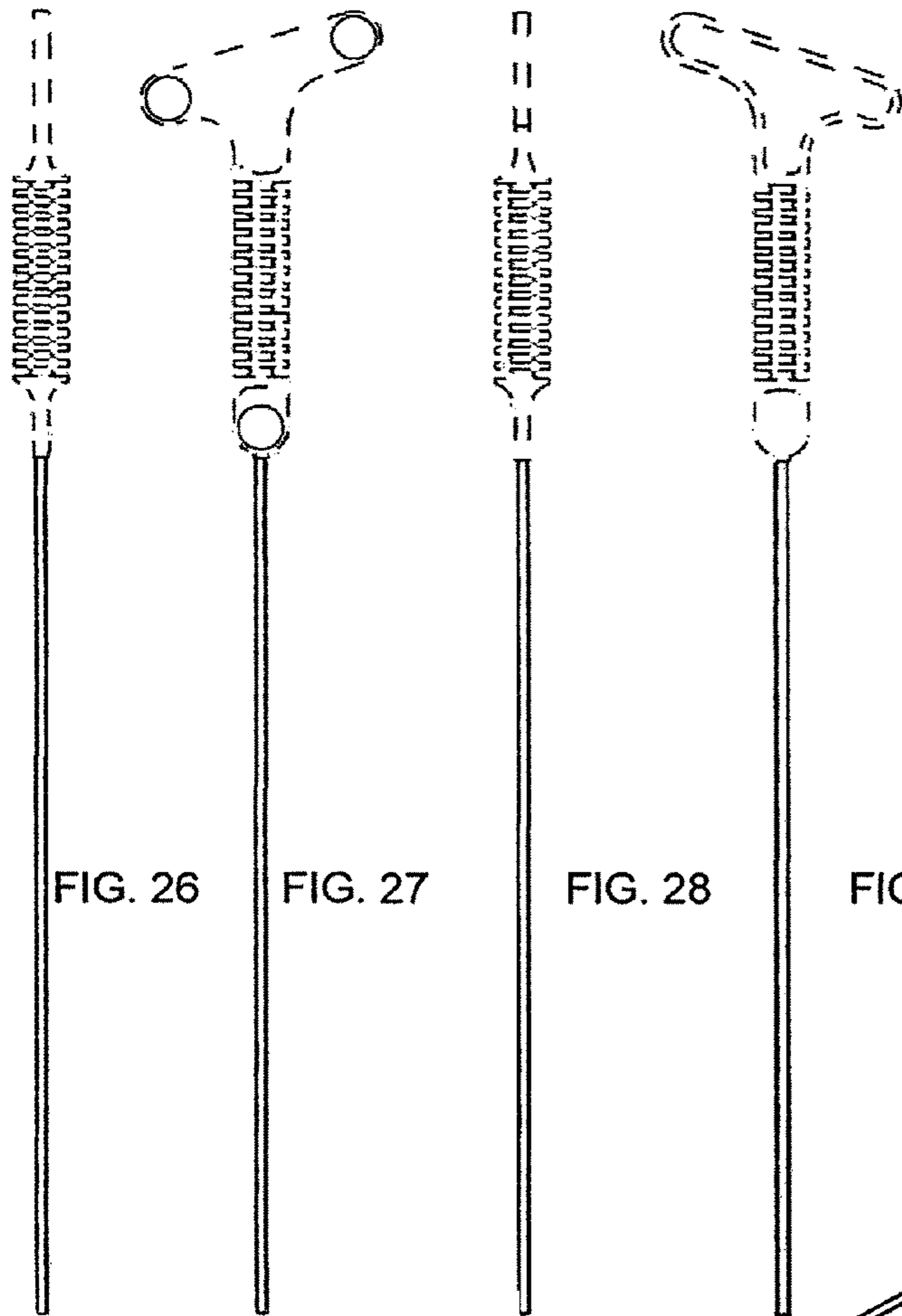


FIG. 26

FIG. 27

FIG. 28

FIG. 29

FIG. 30

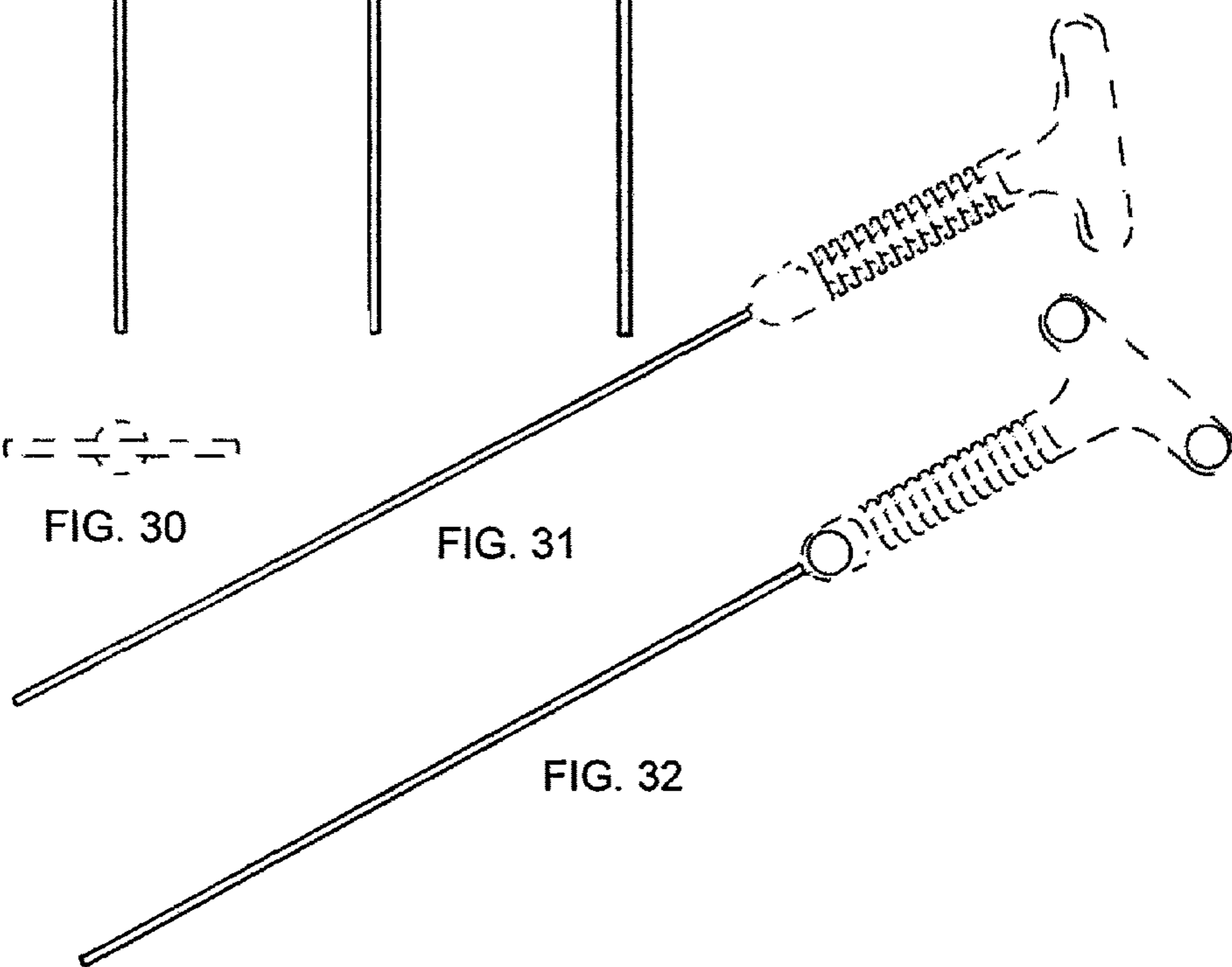


FIG. 31

FIG. 32

FIG. 33

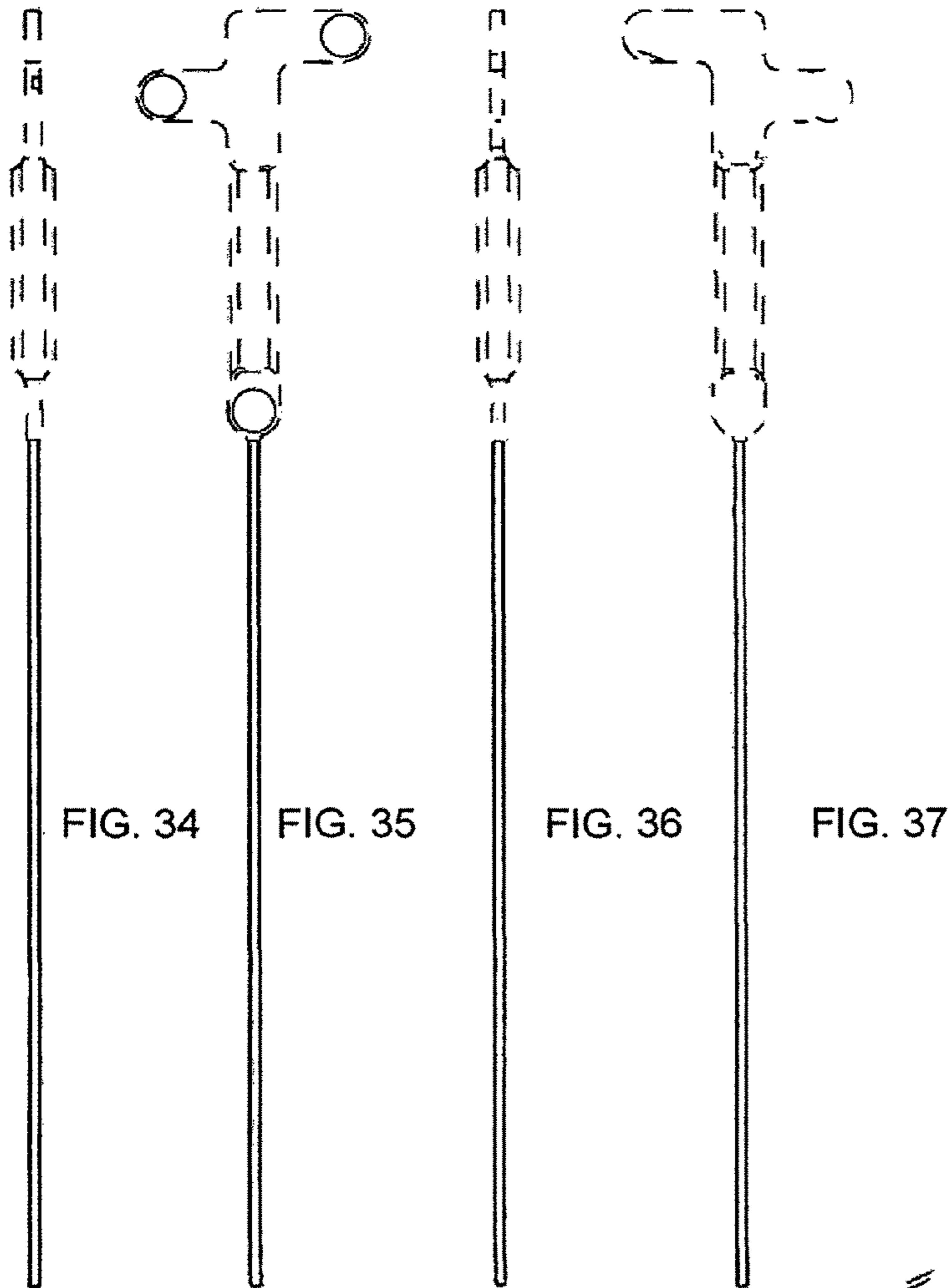


FIG. 38

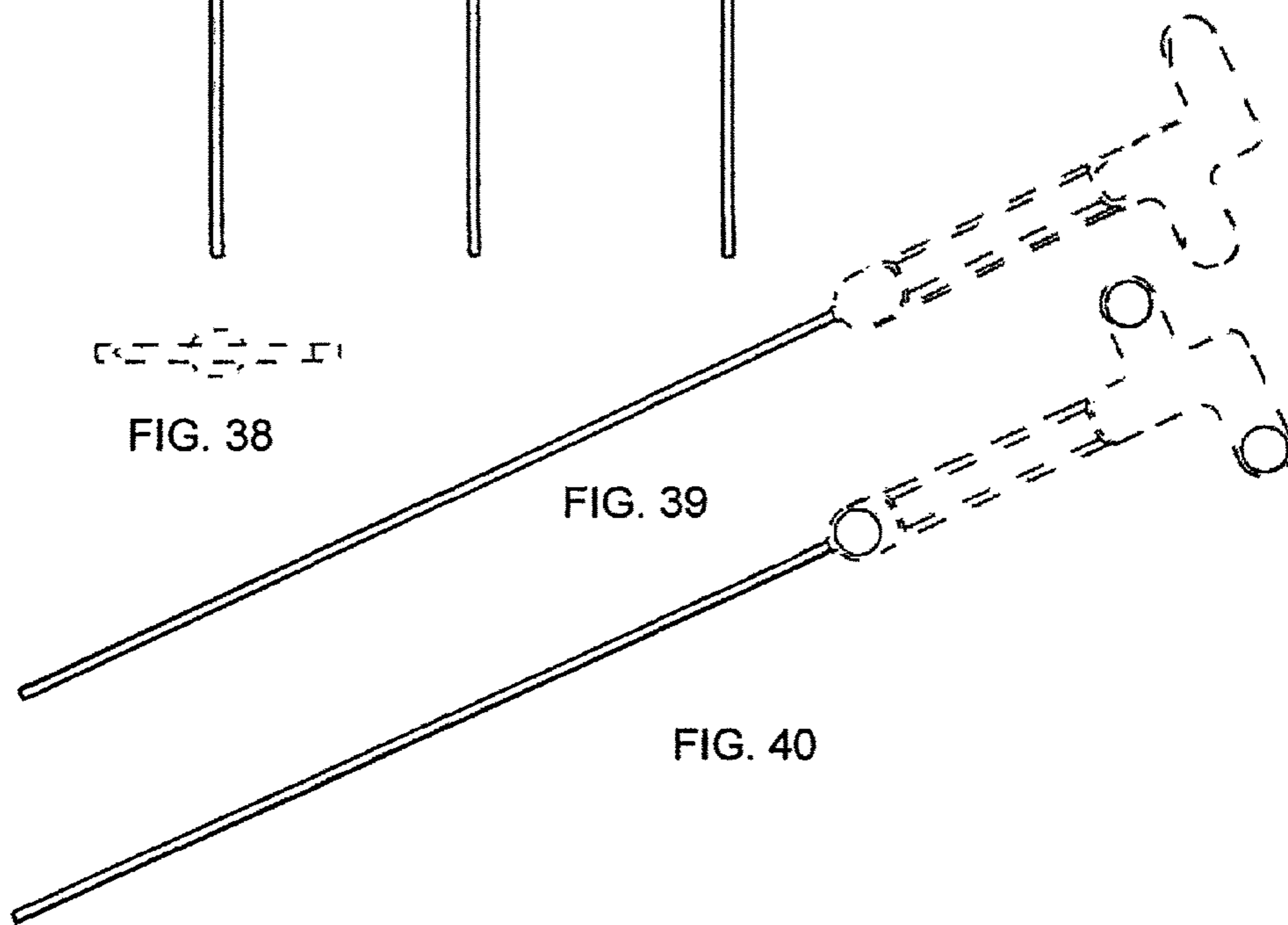


FIG. 41

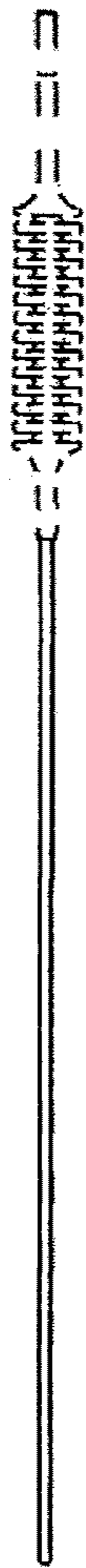


FIG. 42

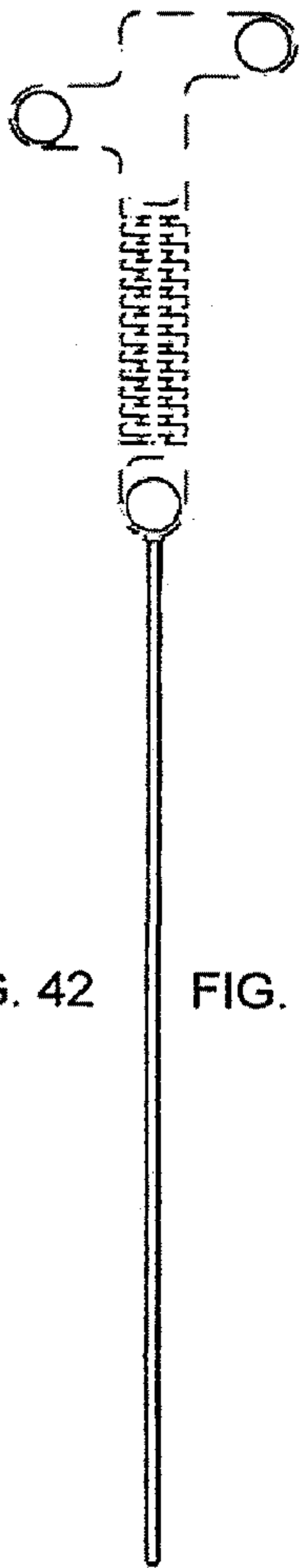


FIG. 43



FIG. 44

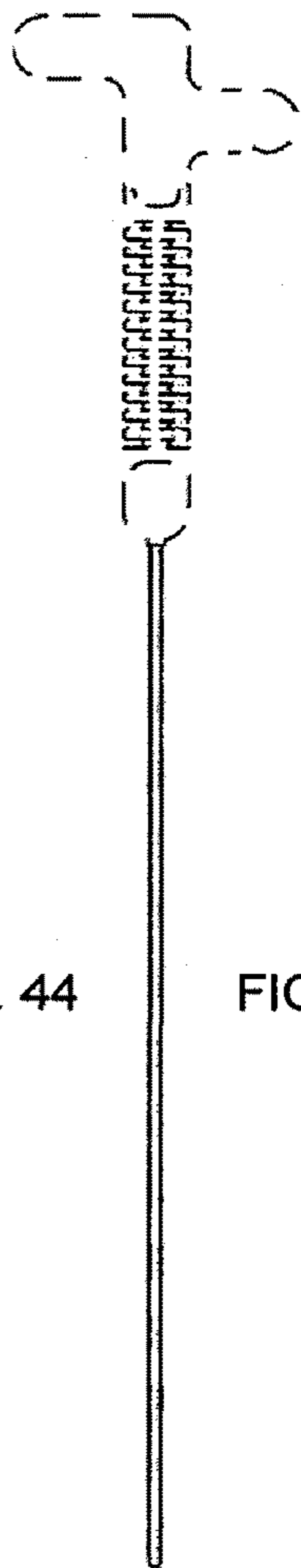


FIG. 45

FIG. 46

FIG. 47

FIG. 47

FIG. 48

