

US00D720845S

(12) **United States Design Patent**  
**Kang et al.**

(10) **Patent No.:** **US D720,845 S**  
(45) **Date of Patent:** **\*\* Jan. 6, 2015**

- (54) **FACEPIECE**
- (75) Inventors: **BongHyup Kang**, Seoul (KR);  
**Kyoung-Ho Lee**, Hwaseong-Si (KR)
- (73) Assignee: **3M Innovative Properties Company**,  
St. Paul, MN (US)
- (\*\*) Term: **14 Years**
- (21) Appl. No.: **29/417,847**
- (22) Filed: **Apr. 10, 2012**
- (51) **LOC (10) Cl.** ..... **29-02**
- (52) **U.S. Cl.**  
USPC ..... **D24/110.1**
- (58) **Field of Classification Search**  
USPC ..... D24/110.1-110.4, 127; D9/571;  
128/205.25, 206.21, 206.24, 206.28,  
128/207.13  
See application file for complete search history.

- D568,986 S 5/2008 Holmquist-Brown
- D582,545 S 12/2008 Omura
- D586,215 S \* 2/2009 Gonzalez et al. .... D9/516
- D607,323 S \* 1/2010 Bruno et al. .... D9/434
- D613,851 S \* 4/2010 Pilgrim et al. .... D24/110.1
- D621,514 S \* 8/2010 Wightman .... D24/186
- D629,885 S \* 12/2010 Skulley et al. .... D24/110
- D635,462 S \* 4/2011 Kuzma et al. .... D9/542
- D639,420 S \* 6/2011 D'Souza et al. .... D24/110.1
- D642,066 S \* 7/2011 Kuzma et al. .... D9/563
- 8,011,368 B2 9/2011 Crutchfield
- D649,060 S \* 11/2011 Wheaton et al. .... D9/542
- 2011/0308517 A1\* 12/2011 Emilsson .... 128/201.19

\* cited by examiner

*Primary Examiner* — Ian Simmons  
*Assistant Examiner* — Richelle G Shelton  
(74) *Attorney, Agent, or Firm* — Craig A. Deutsch

(57) **CLAIM**  
The ornamental design for a facepiece, as shown and described.

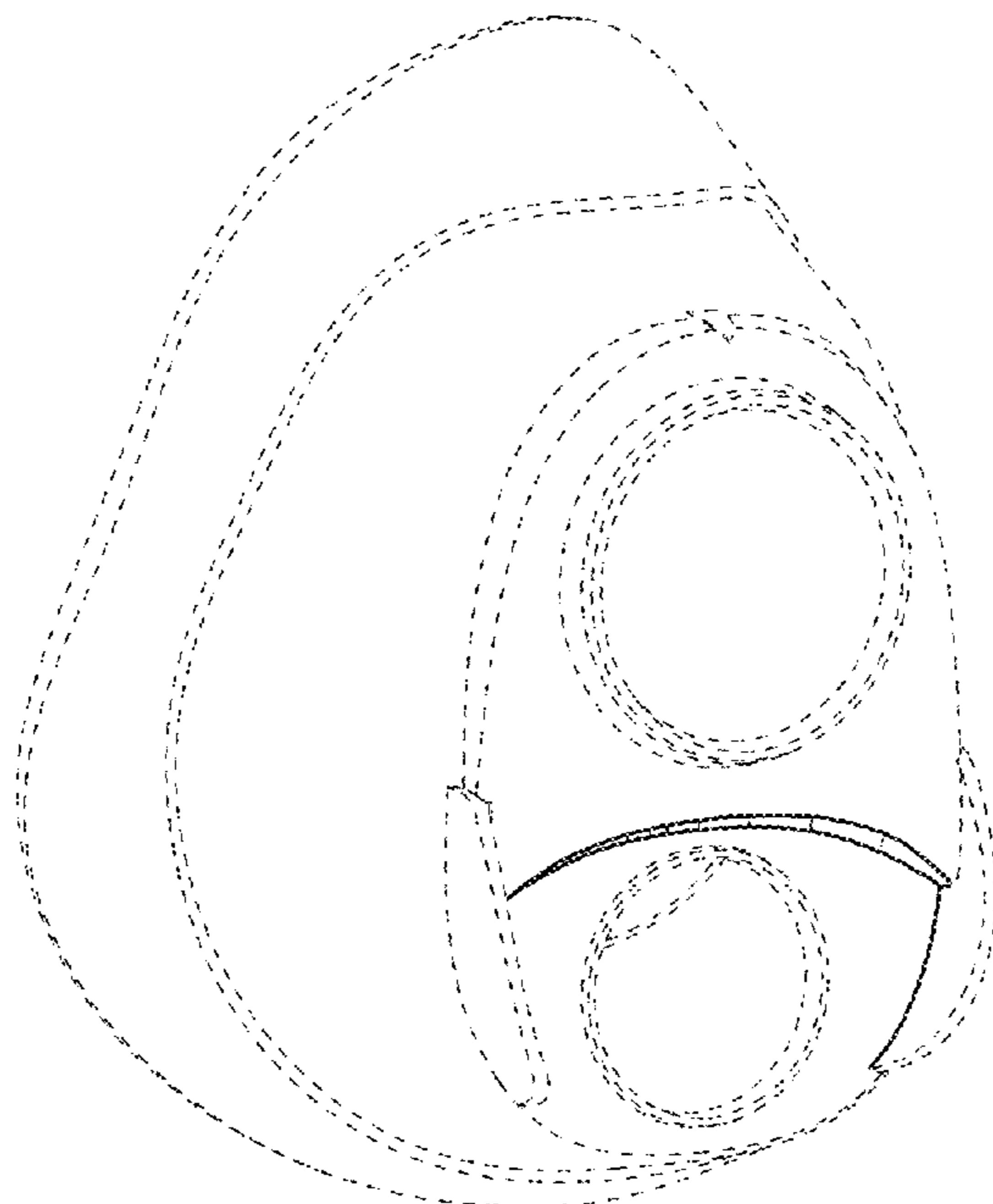
**DESCRIPTION**

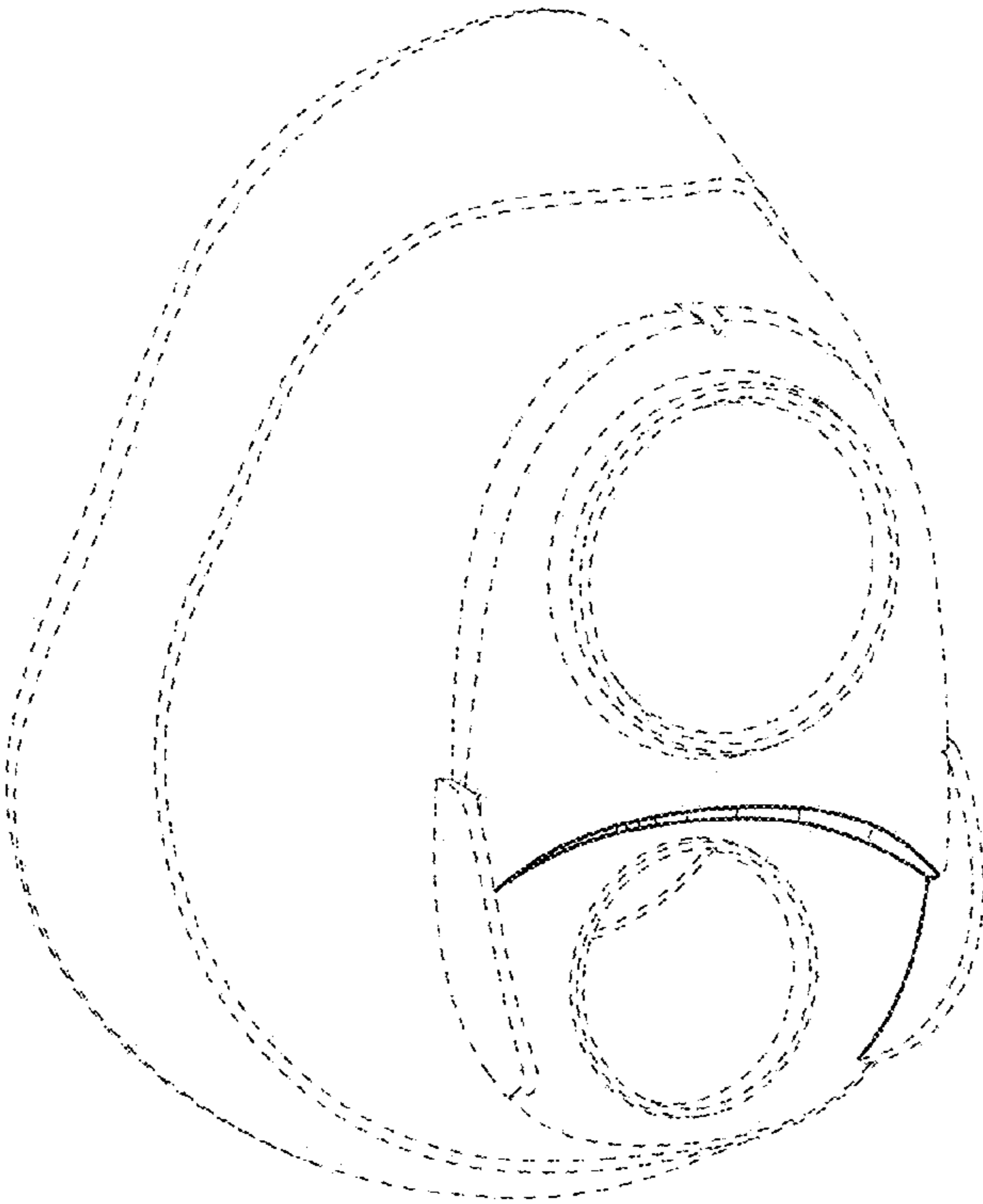
FIG. 1 is a front perspective view of the new design for a facepiece.  
FIG. 2 is a front view thereof;  
FIG. 3 is a back view thereof;  
FIG. 4 is a top view thereof;  
FIG. 5 is a bottom view thereof; and,  
FIG. 6 is a right side view thereof, the left side view being a mirror image thereof.  
The broken line showing of a mask is included for the purpose of illustrating environment and forms no part of the claimed design. The shading is provided to illustrate contour only and is not an indication of surface texture or sheen.

**1 Claim, 3 Drawing Sheets**

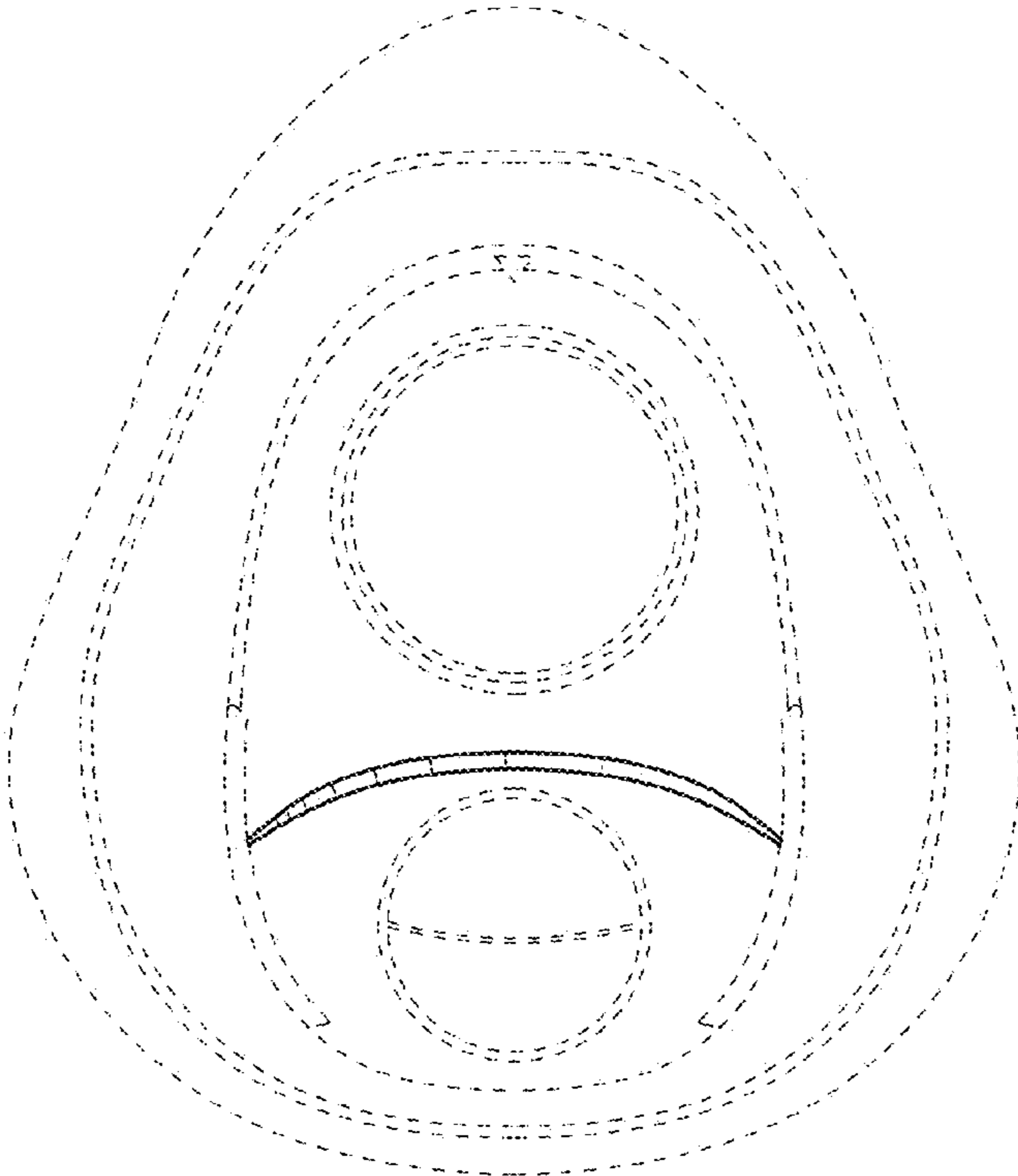
(56) **References Cited**  
U.S. PATENT DOCUMENTS

- D211,933 S \* 8/1968 Horne ..... D9/522
- 4,337,767 A \* 7/1982 Yahata ..... 128/206.28
- D326,812 S \* 6/1992 Noakes et al. .... D9/549
- D379,928 S \* 6/1997 Freek et al. .... D9/447
- D402,416 S \* 12/1998 Konno et al. .... D24/110.3
- D426,538 S \* 6/2000 Deguchi ..... D14/507
- D435,904 S \* 1/2001 Naude ..... D24/200
- D464,725 S \* 10/2002 Petherbridge et al. .... D24/110.1
- D485,820 S \* 1/2004 Murakami ..... D14/168
- 6,701,925 B1 3/2004 Resnick
- D497,810 S \* 11/2004 Maus ..... D9/542
- D498,865 S \* 11/2004 Mah ..... D26/49
- 7,005,786 B2 \* 2/2006 In et al. .... 313/404
- D557,611 S \* 12/2007 Ingemarsson ..... D9/549

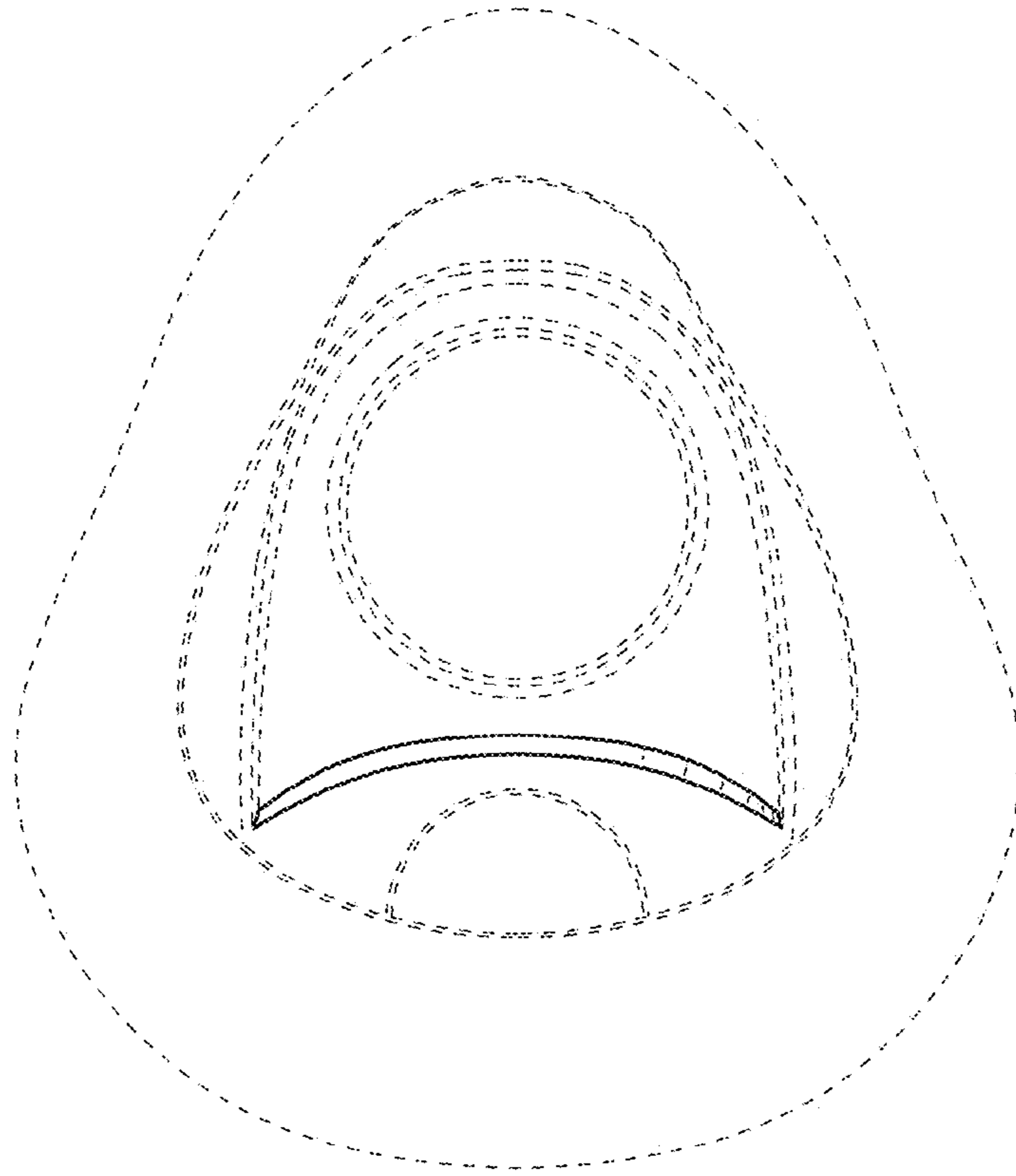




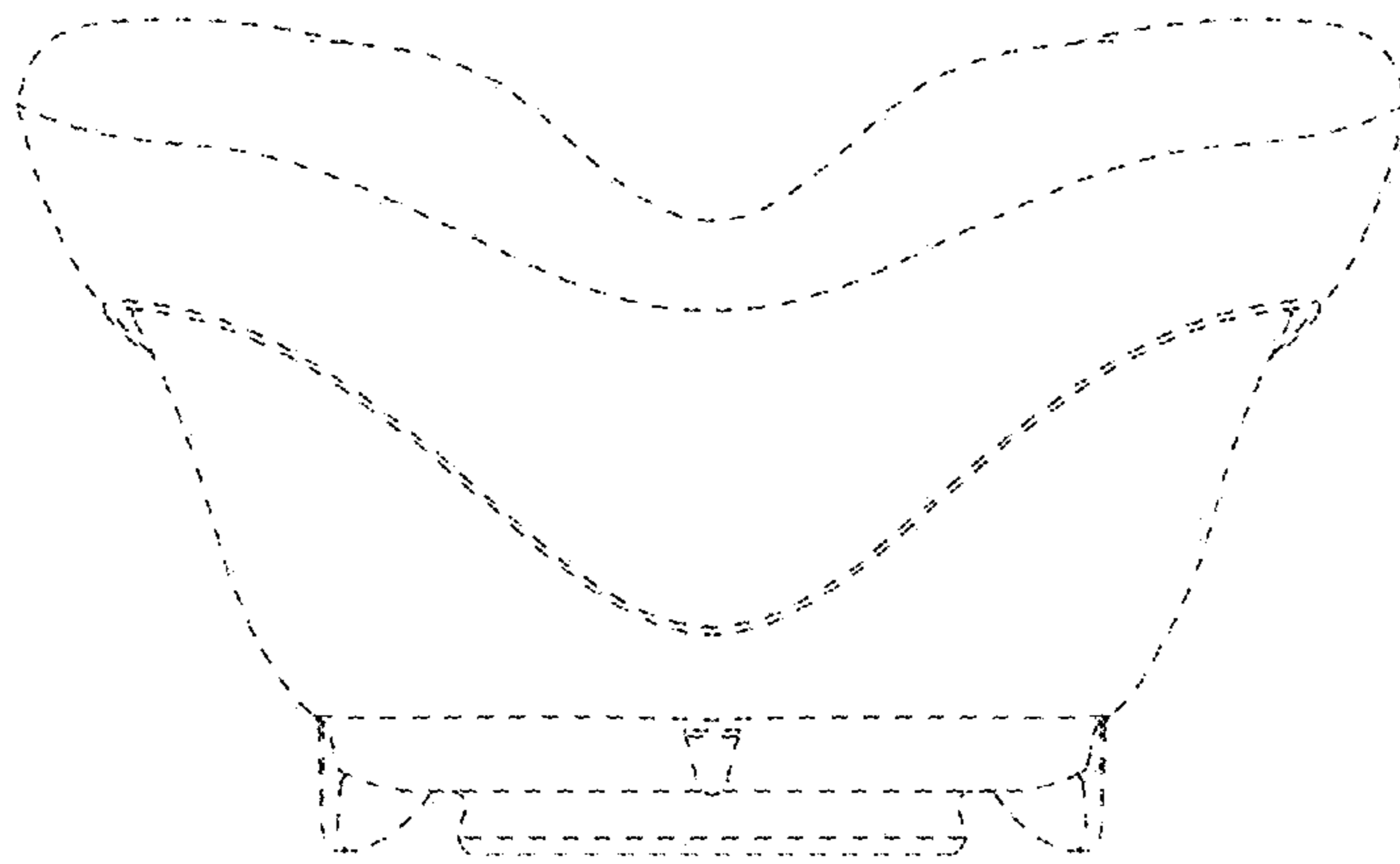
*Fig. 1*



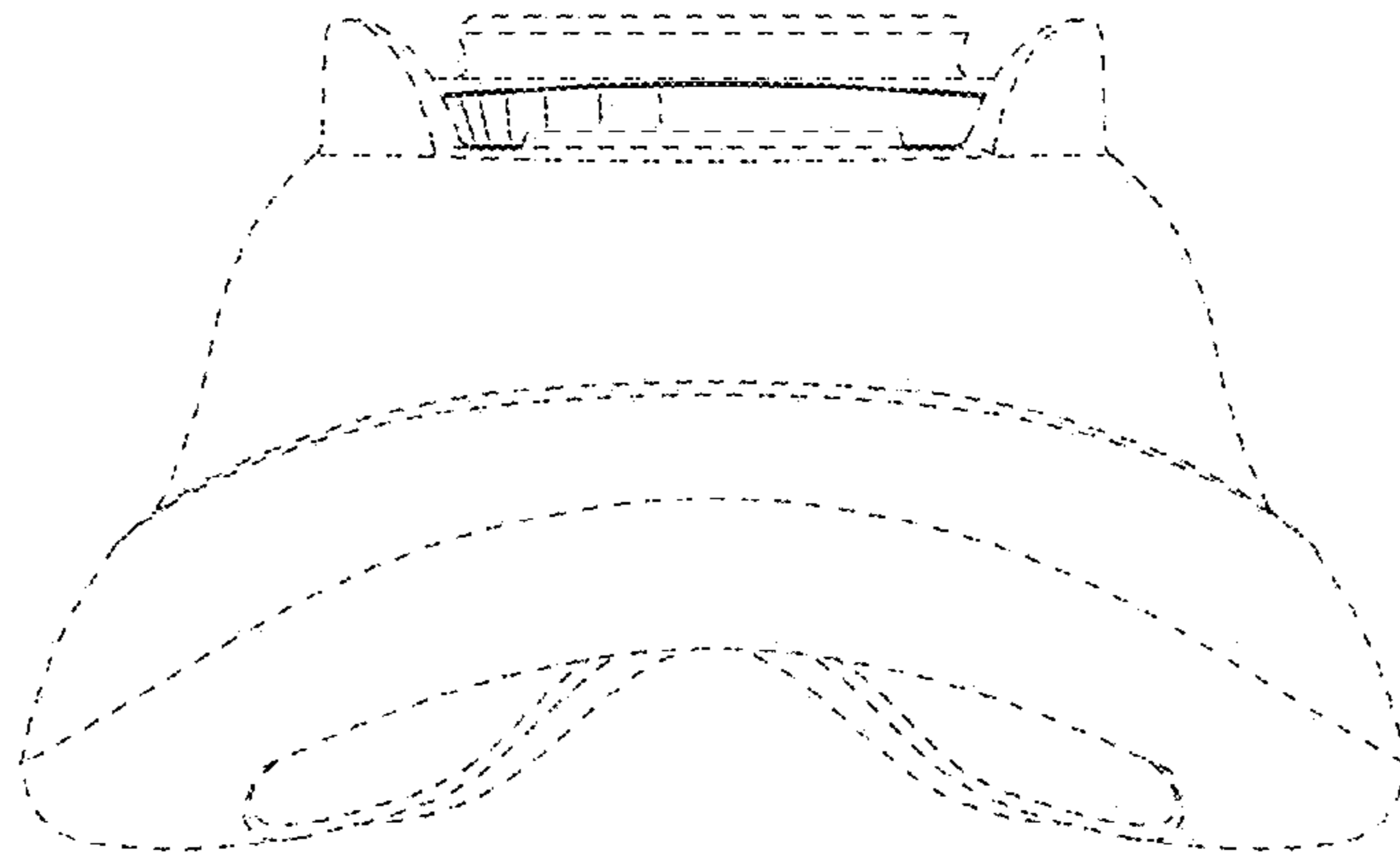
*Fig. 2*



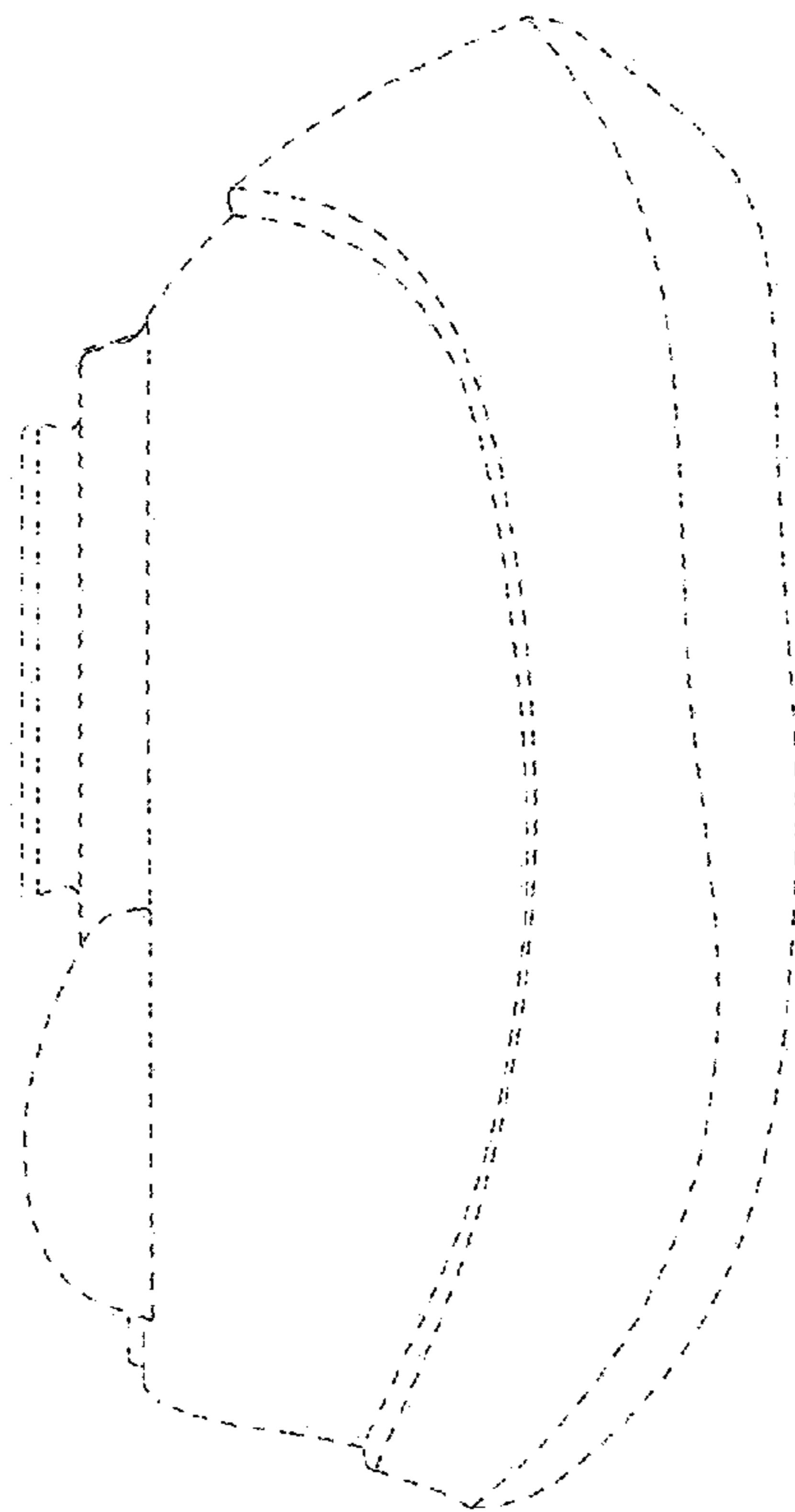
*Fig. 3*



*Fig. 4*



*Fig. 5*



*Fig. 6*