



US00D720843S

(12) **United States Design Patent**
Jackson

(10) **Patent No.:** **US D720,843 S**
(45) **Date of Patent:** **** Jan. 6, 2015**

(54) **BAROMETRIC RELIEF AIR ZONE DAMPER**

(76) Inventor: **Ronald E. Jackson**, Indianapolis, IN
(US)

(**) Term: **14 Years**

(21) Appl. No.: **29/428,672**

(22) Filed: **Aug. 2, 2012**

(51) **LOC (10) Cl.** **23-04**

(52) **U.S. Cl.**
USPC **D23/387**

(58) **Field of Classification Search**
USPC D23/385-395, 397, 370-373, 365, 354,
D23/399-403, 421, 499; 454/309, 275-277,
454/284, 287-291, 358-363, 322, 327,
454/369; 52/302.1, 32.07; 285/229, 189,
285/183, 123.1, 15, 114, 110, 424, 197;
431/20; 236/45

See application file for complete search history.

(56) **References Cited**

U.S. PATENT DOCUMENTS

2,037,363	A	4/1936	Branche	236/1
2,259,973	A	10/1941	Firehammer	126/285
2,514,446	A	7/1950	Field	236/45
2,538,190	A	1/1951	Crew	236/45
2,546,714	A	3/1951	Bataille	110/163
2,761,494	A	9/1956	Field	158/1
3,311,302	A	3/1967	Merckle		
4,205,783	A *	6/1980	Dietsche et al.	431/20
4,236,668	A *	12/1980	Prikkel, III	431/20
4,249,883	A *	2/1981	Woolfolk	431/20
4,264,033	A *	4/1981	Kutzner et al.	431/20
4,265,394	A *	5/1981	Nagel	431/20
4,273,526	A *	6/1981	Perrelli	431/20
4,289,271	A *	9/1981	Barth	431/20
4,538,980	A *	9/1985	Hoyme	431/20

5,033,362	A *	7/1991	Huckestein	454/322
5,249,596	A	10/1993	Hickenlooper, III et al.	137/334
5,345,966	A	9/1994	Dudley	137/601
5,363,025	A *	11/1994	Colling	431/20
5,669,815	A	9/1997	Cakebread	454/255
5,674,125	A	10/1997	Xia et al.	454/327
D386,577	S *	11/1997	Haydock et al.	D23/373
6,089,464	A	7/2000	Morgan	236/49.3
D558,325	S *	12/2007	Karnes et al.	D23/393
D634,419	S	3/2011	Lambertson	D23/393
D635,239	S *	3/2011	Liebson et al.	D23/393

* cited by examiner

Primary Examiner — David Muller

(74) *Attorney, Agent, or Firm* — Brinks Gilson & Lione

(57) **CLAIM**

I claim the ornamental design for a barometric relief air zone damper, as shown and described.

DESCRIPTION

FIG. 1 is a front elevation view of a barometric relief air zone damper.

FIG. 2 is a back elevation view of the barometric relief air zone damper shown in FIG. 1.

FIG. 3 is side elevation view taken from the right side of FIG. 1.

FIG. 4 is a side elevation view taken from the left side of FIG. 1.

FIG. 5 is a top plan view of the barometric relief air zone damper shown in FIG. 1.

FIG. 6 is a bottom plan view of the barometric relief air zone damper shown in FIG. 1; and,

FIG. 7 is a perspective view taken from the upper front right of the barometric relief air zone damper shown in FIG. 1.

The portions of the drawings shown in broken lines are hereby disclaimed as forming no part of the claimed design.

1 Claim, 7 Drawing Sheets

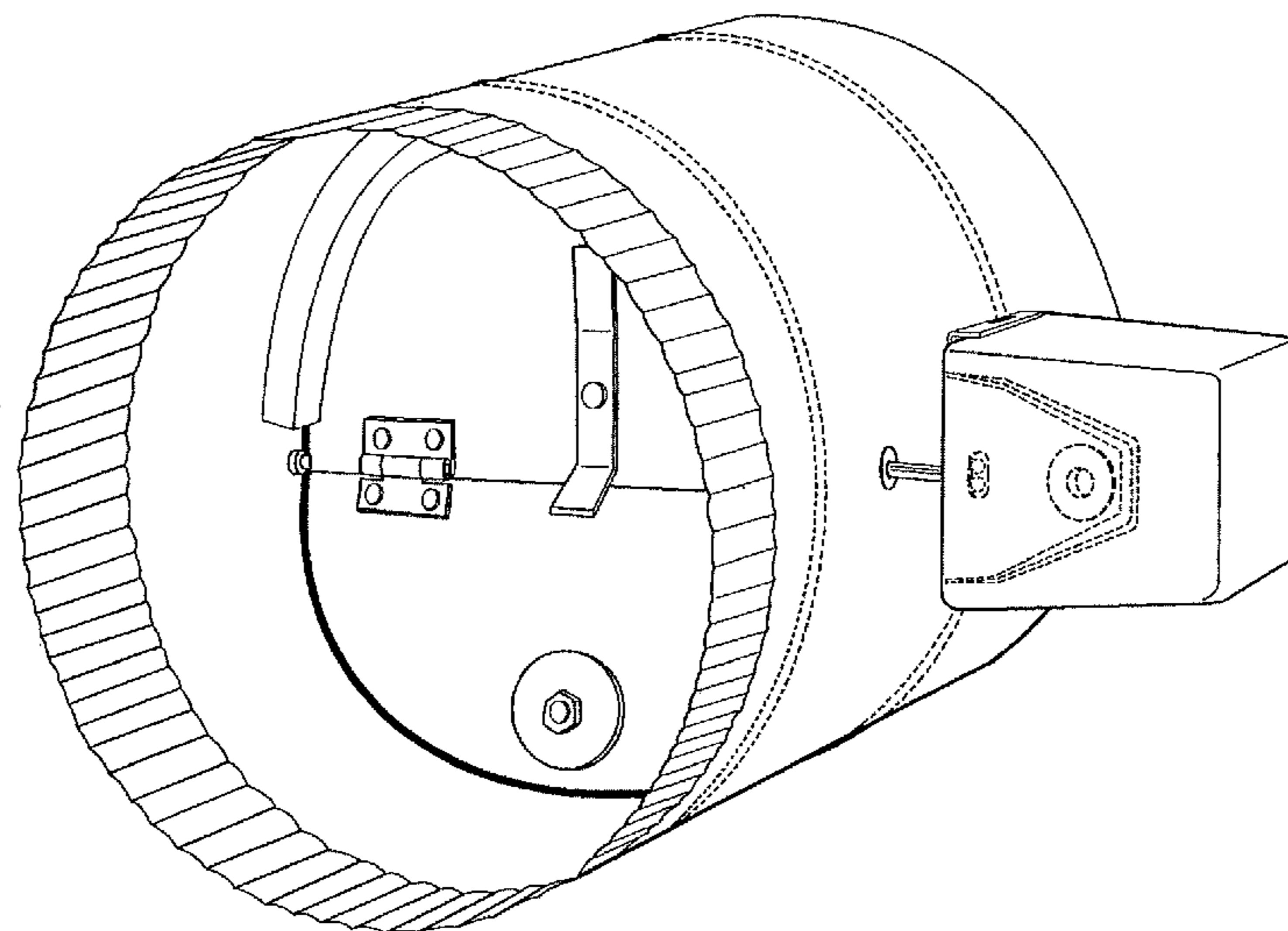


Fig 1

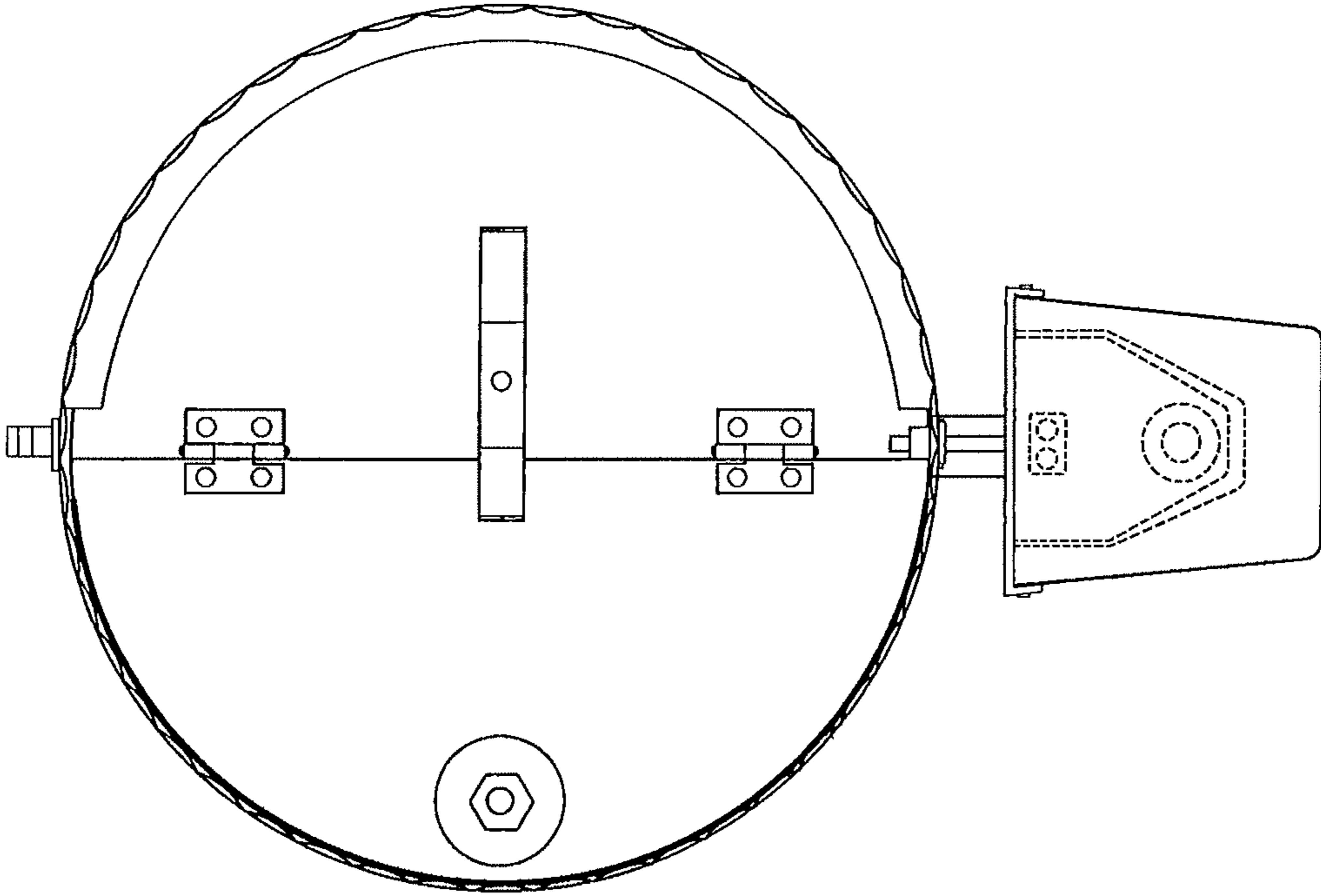


Fig 2

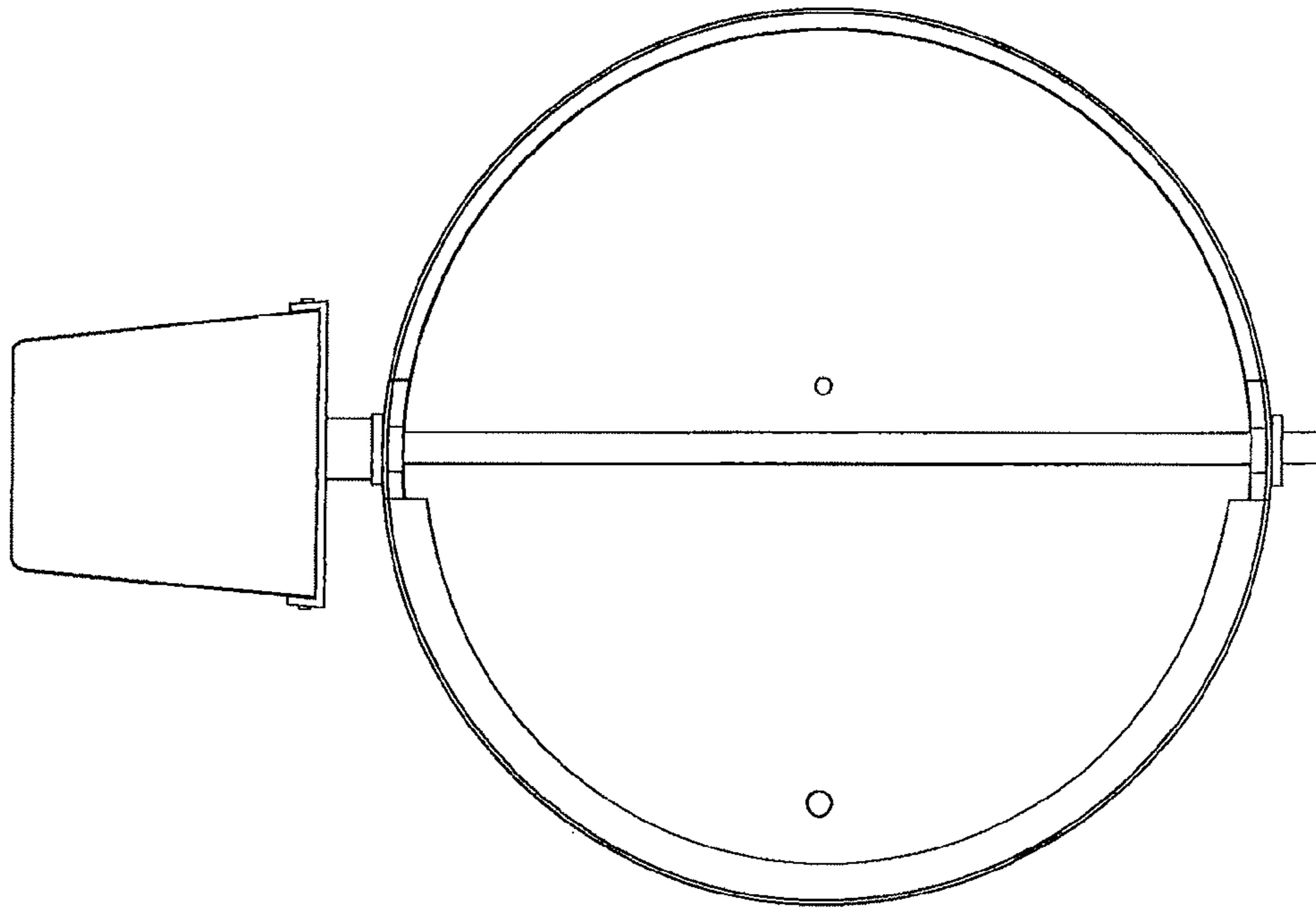


Fig 3

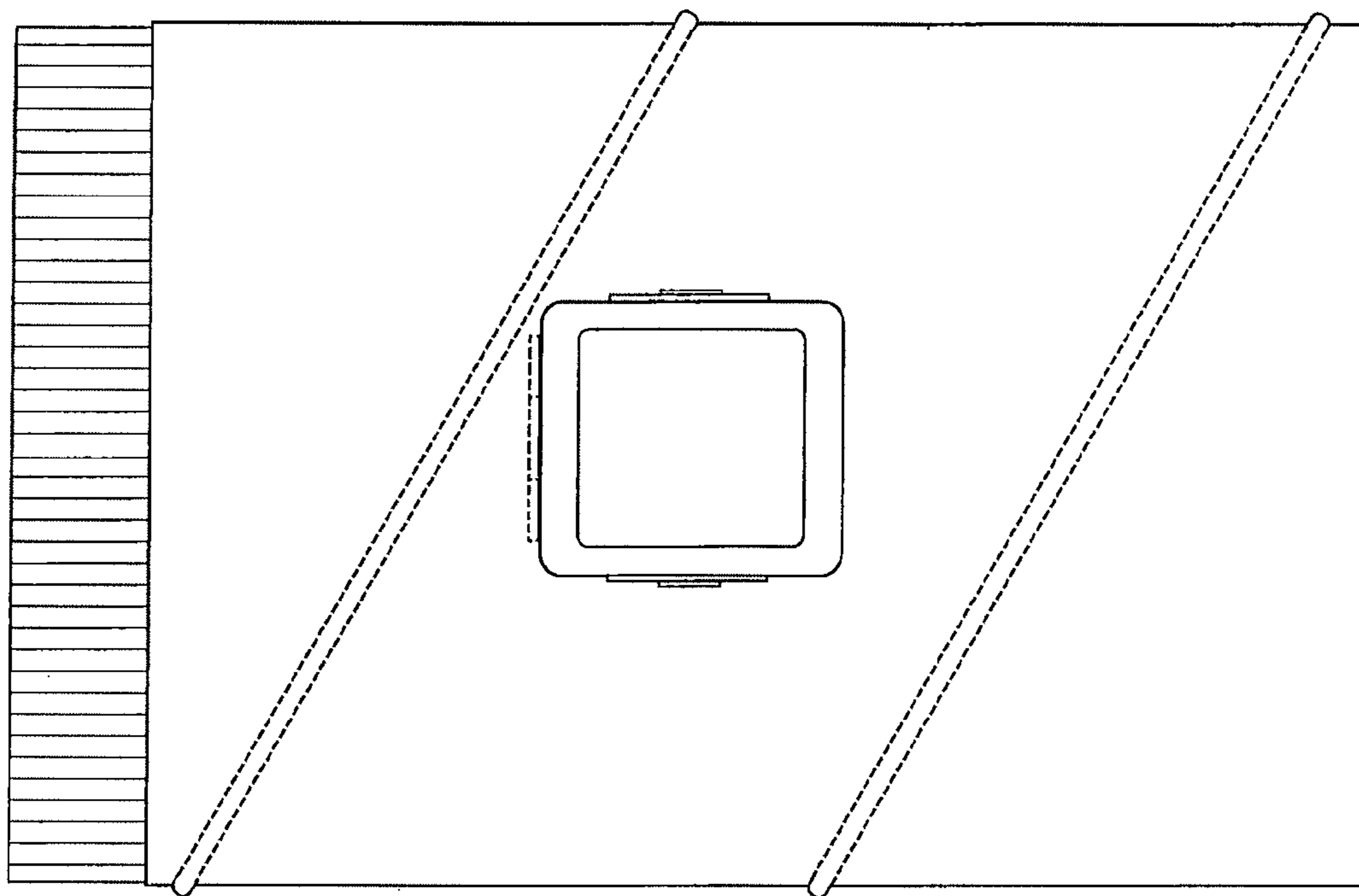


Fig 4

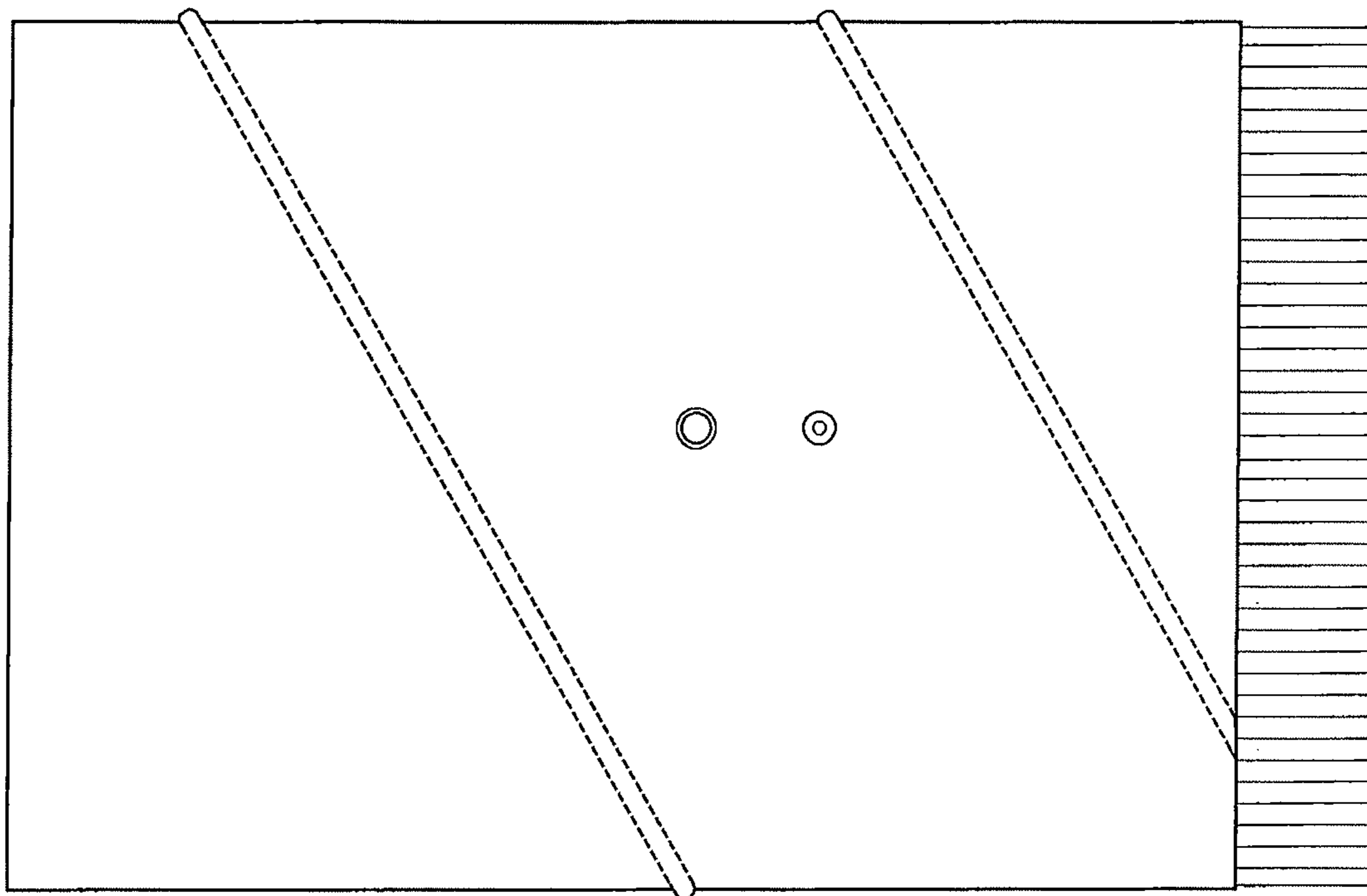


Fig 5

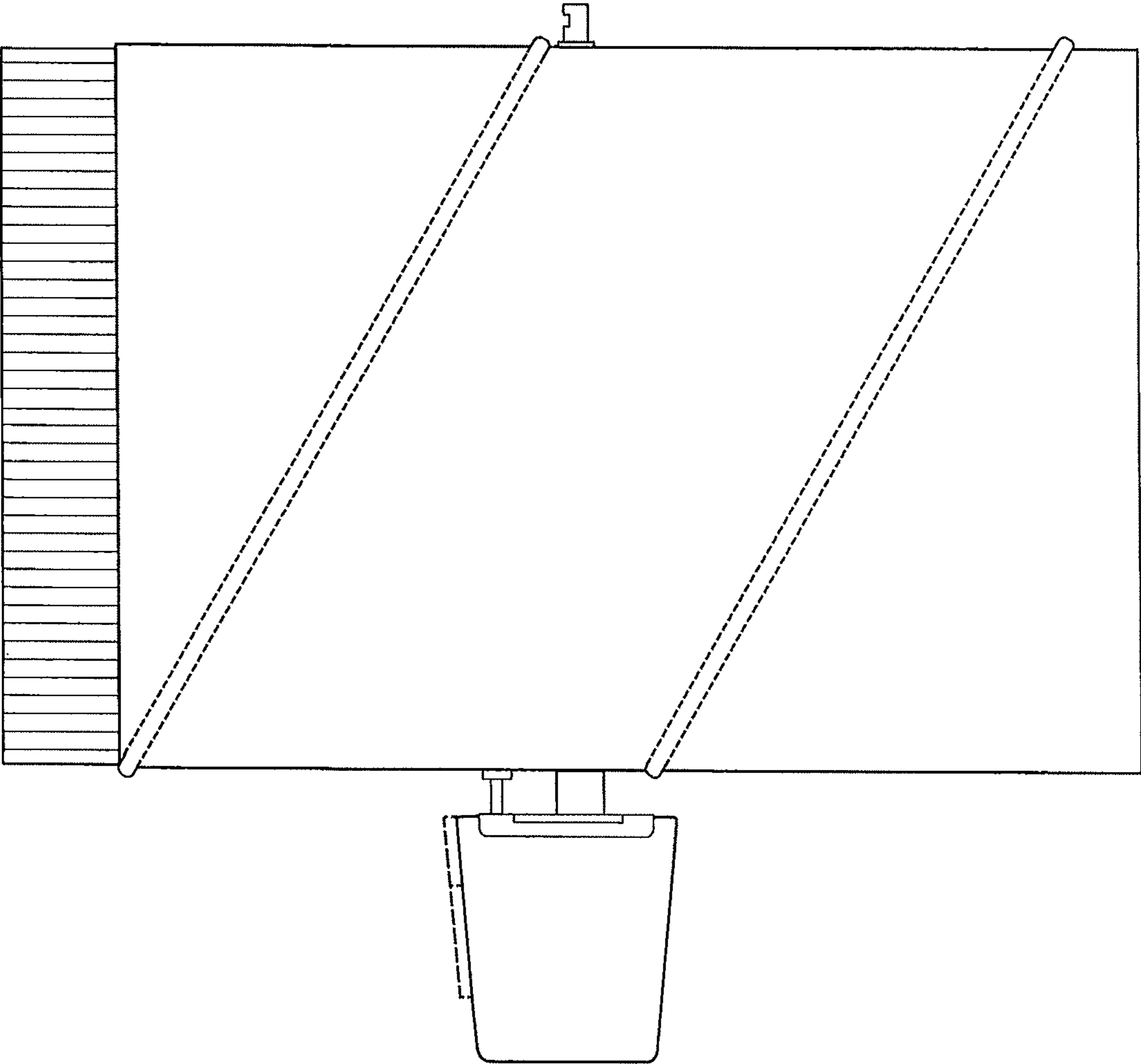


Fig 6

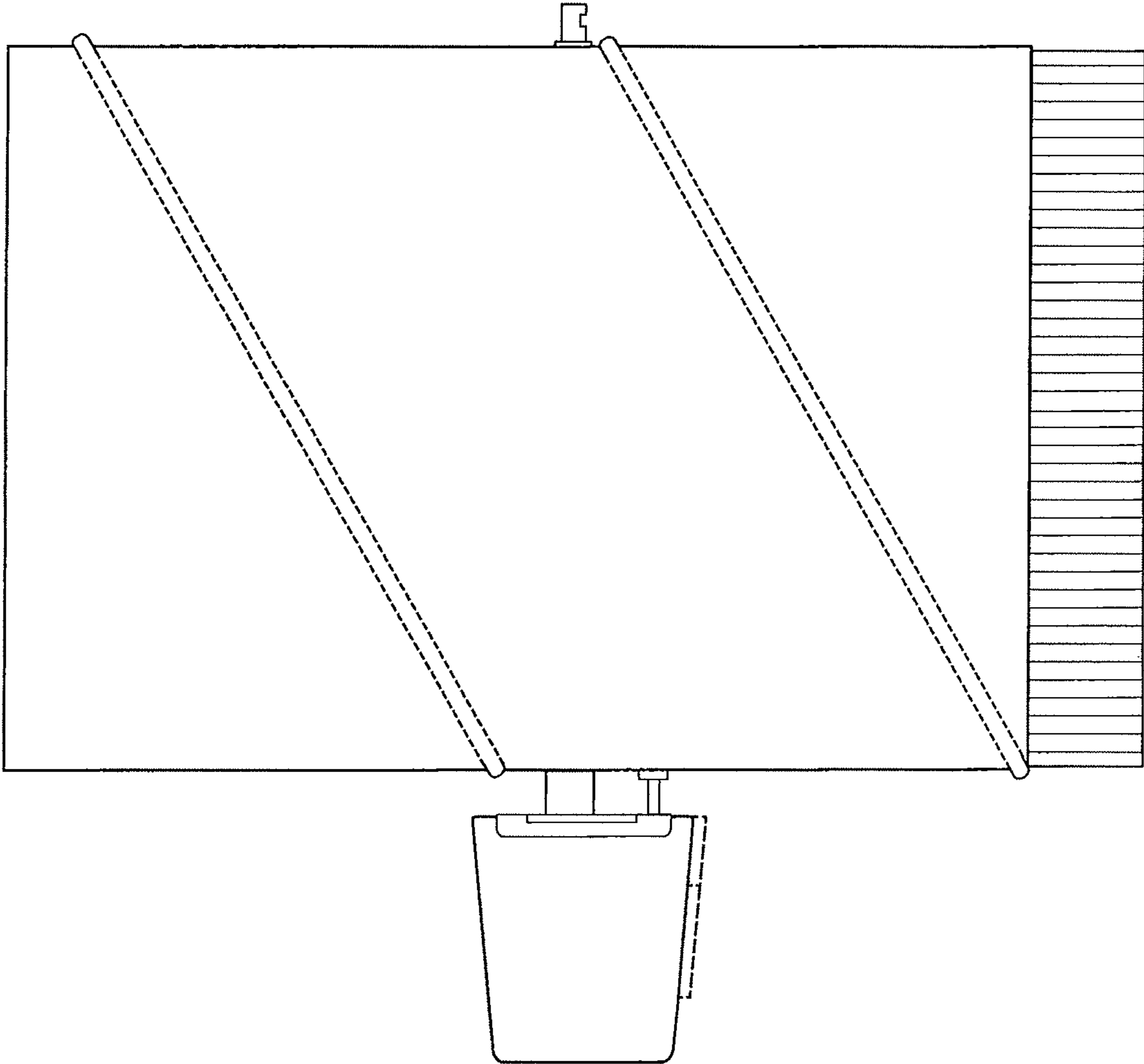


Fig 7

