



US00D720842S

(12) **United States Design Patent**  
**Chouji et al.**

(10) **Patent No.:** **US D720,842 S**  
(45) **Date of Patent:** **\*\* Jan. 6, 2015**

- (54) **AIR CONDITIONER**
- (71) Applicants: **Masahiko Chouji**, Kusatsu (JP);  
**Kentarou Niki**, Kusatsu (JP)
- (72) Inventors: **Masahiko Chouji**, Kusatsu (JP);  
**Kentarou Niki**, Kusatsu (JP)
- (73) Assignee: **Daikin Industries Ltd.**, Osaka-Shi,  
Osaka-Fu (JP)
- (\*\*) Term: **14 Years**
- (21) Appl. No.: **29/494,341**
- (22) Filed: **Jun. 19, 2014**
- (51) **LOC (10) Cl.** ..... **23-04**
- (52) **U.S. Cl.**  
USPC ..... **D23/351**
- (58) **Field of Classification Search**  
USPC ..... D23/351-354, 385, 355, 357, 361;  
312/236; 62/259.1, 259.4, 262-263,  
62/304; 454/330-331, 349-350  
See application file for complete search history.

- D621,491 S \* 8/2010 Tsuji ..... D23/351
- D624,167 S \* 9/2010 Mishiro et al. .... D23/351
- D641,854 S \* 7/2011 Seki et al. .... D23/351
- D689,179 S \* 9/2013 Nishiguchi ..... D23/351
- D701,295 S \* 3/2014 Chouji et al. .... D23/351
- D709,171 S \* 7/2014 Chouji ..... D23/351

\* cited by examiner

*Primary Examiner* — Brian N Vinson  
(74) *Attorney, Agent, or Firm* — Manabu Kanesaka

- (56) **References Cited**  
U.S. PATENT DOCUMENTS  
D539,889 S \* 4/2007 Chooji ..... D23/351  
D550,822 S \* 9/2007 Shimizu ..... D23/351  
D553,721 S \* 10/2007 Seki et al. .... D23/351  
D580,037 S \* 11/2008 Seki et al. .... D23/351  
D587,792 S \* 3/2009 Lebrun ..... D23/304  
D613,843 S \* 4/2010 Ohta ..... D23/351

(57) **CLAIM**  
The ornamental design for an air conditioner, as shown and described.

**DESCRIPTION**  
FIG. 1 is a perspective view of an air conditioner showing our new design;  
FIG. 2 is a front view thereof;  
FIG. 3 is a rear view thereof;  
FIG. 4 is a plan view thereof;  
FIG. 5 is a bottom view thereof;  
FIG. 6 is a left side view thereof;  
FIG. 7 is a right side view thereof; and,  
FIG. 8 is a cross-sectional view thereof along the line 8-8 in FIG. 2.  
The broken lines depict portions of the air conditioner that form no part of claimed design.

**1 Claim, 7 Drawing Sheets**

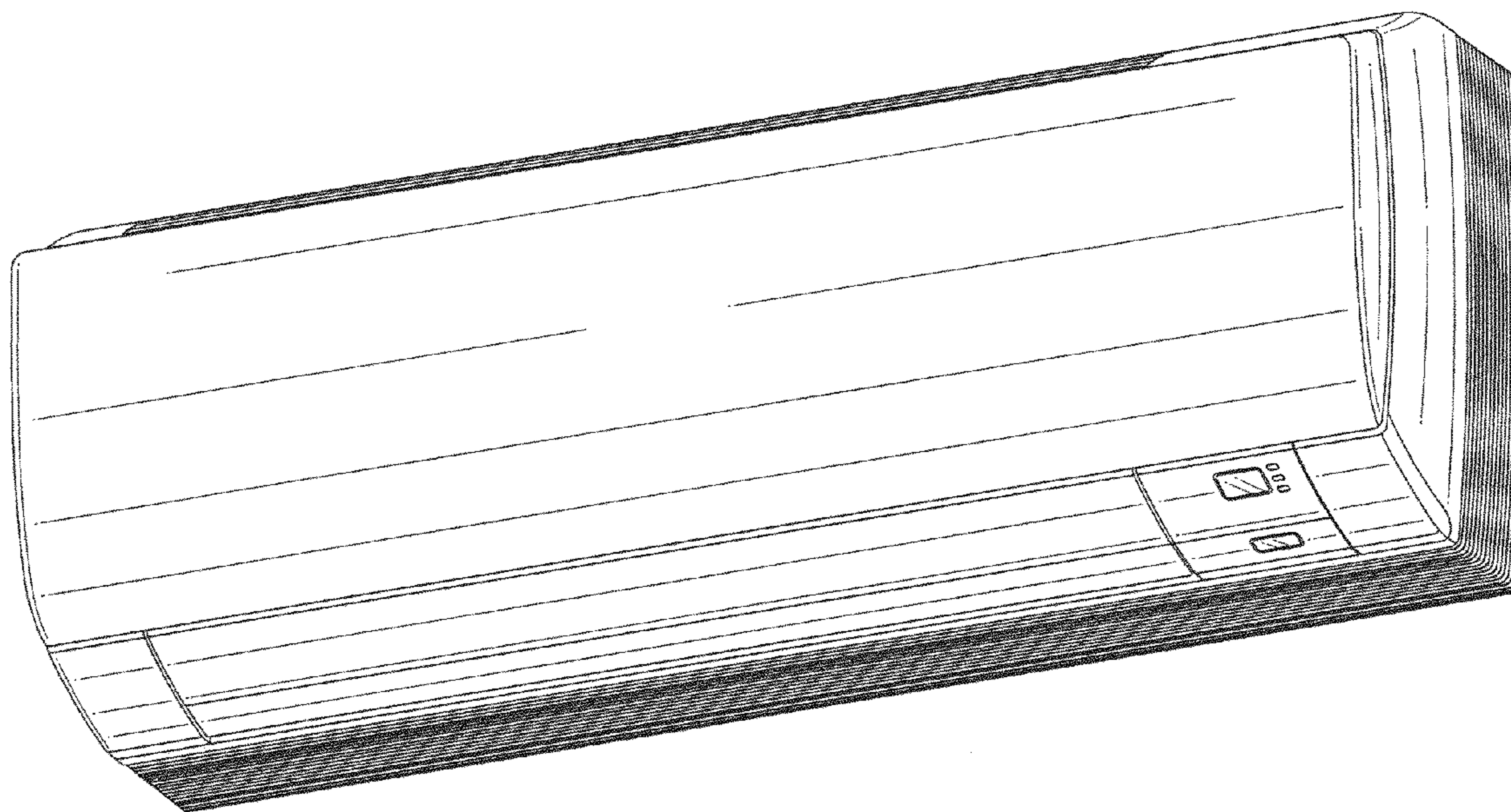


Fig. 1

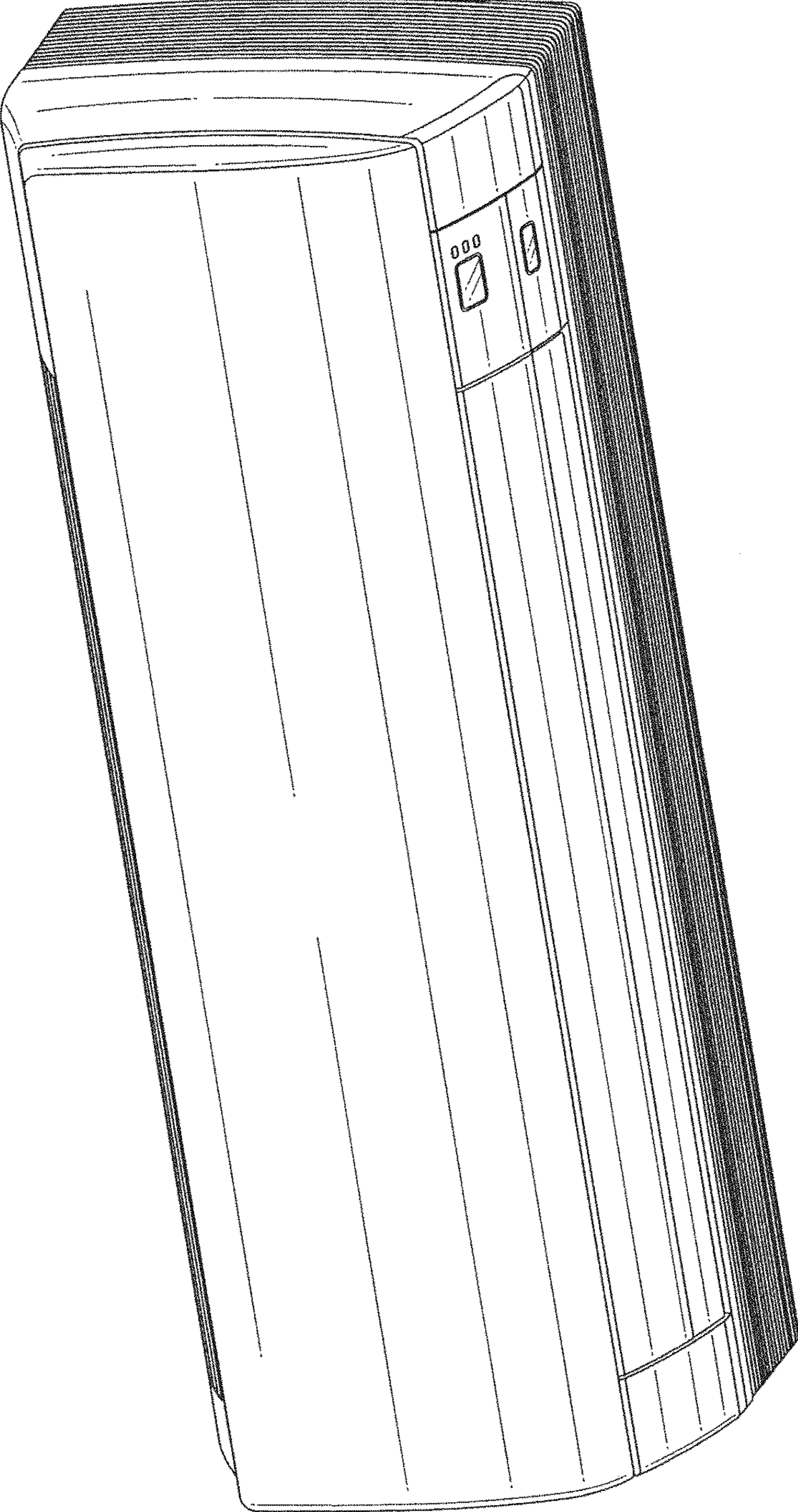


Fig. 2

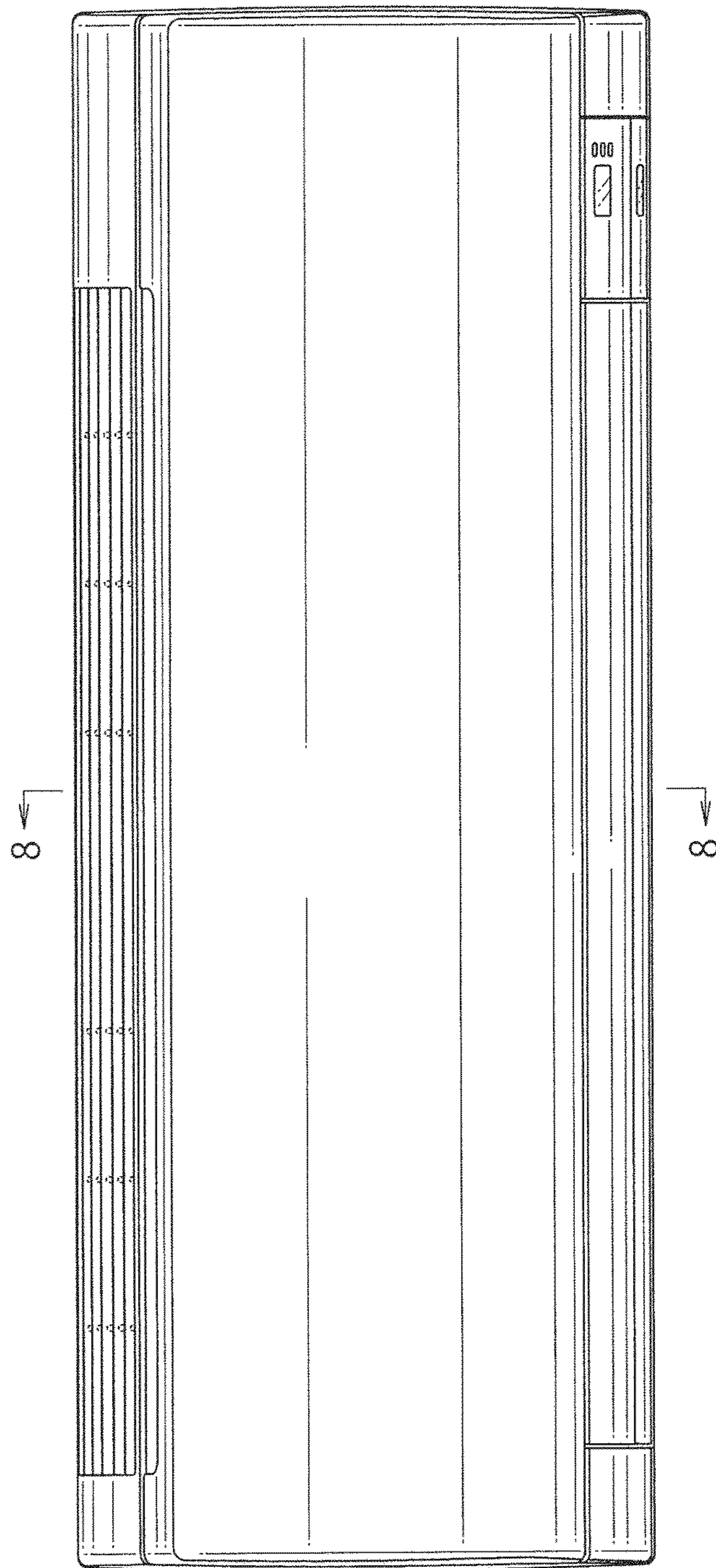


Fig. 3

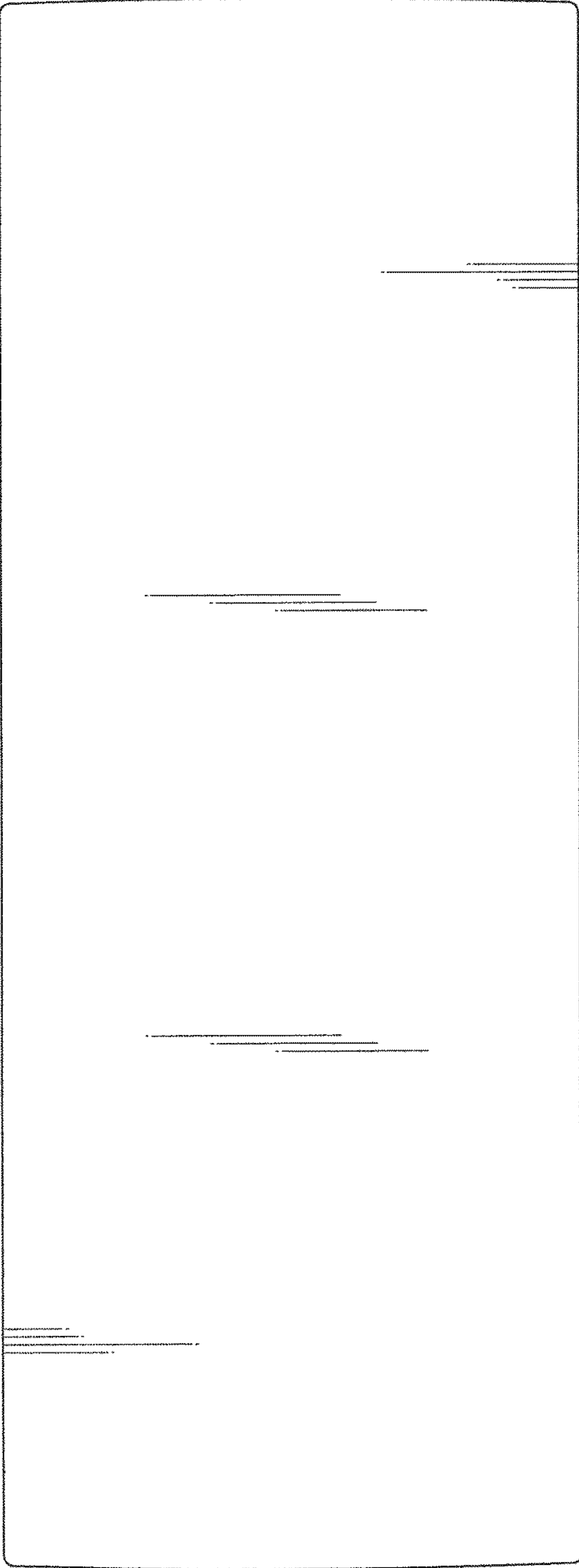


Fig. 4

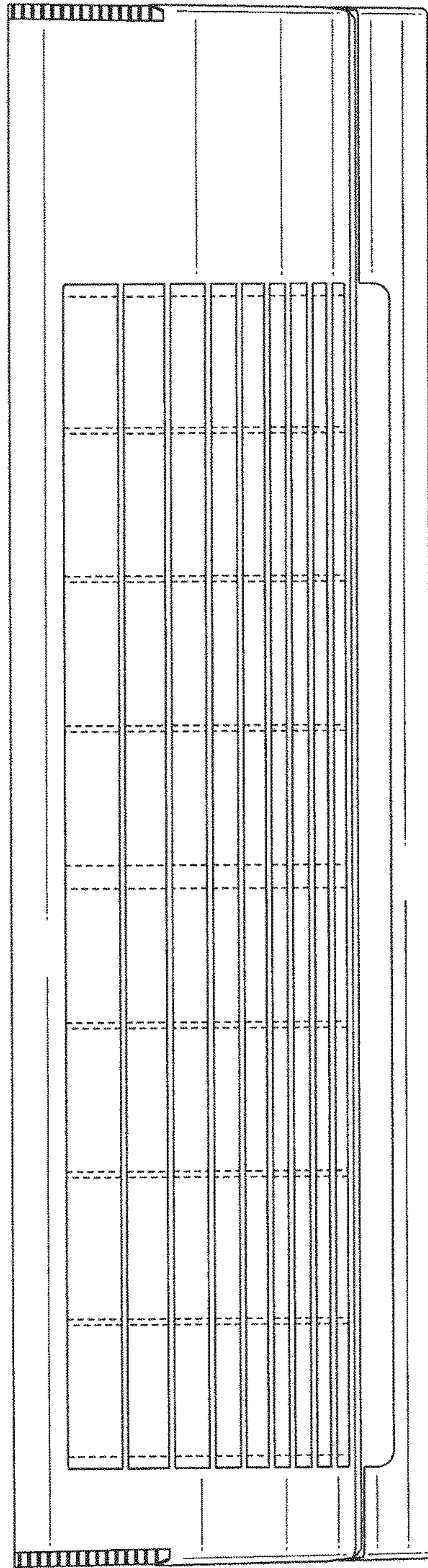


Fig. 5

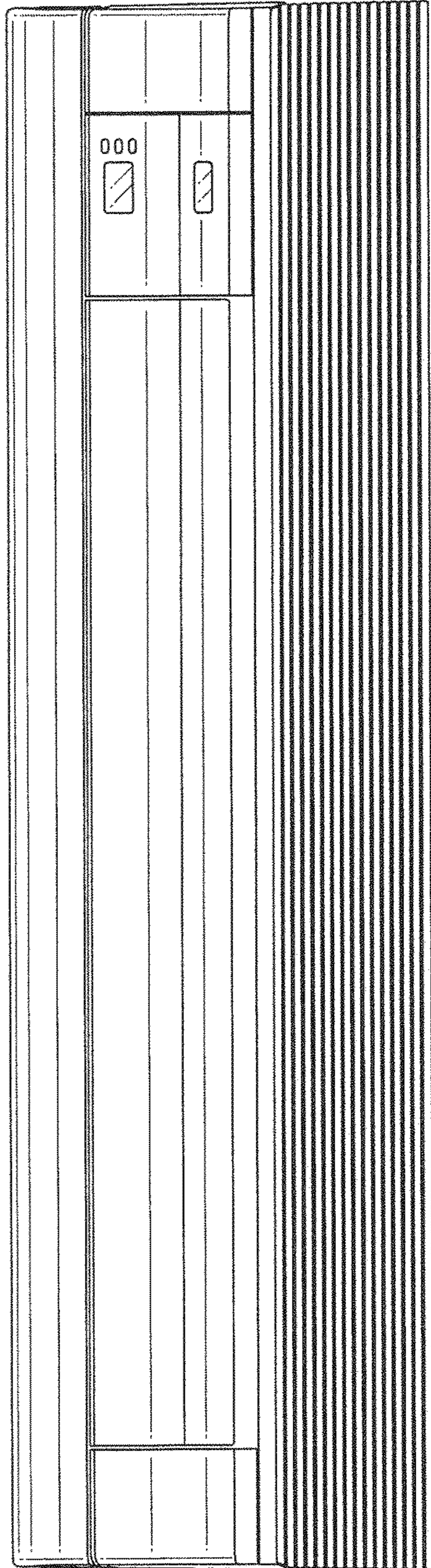


Fig. 7

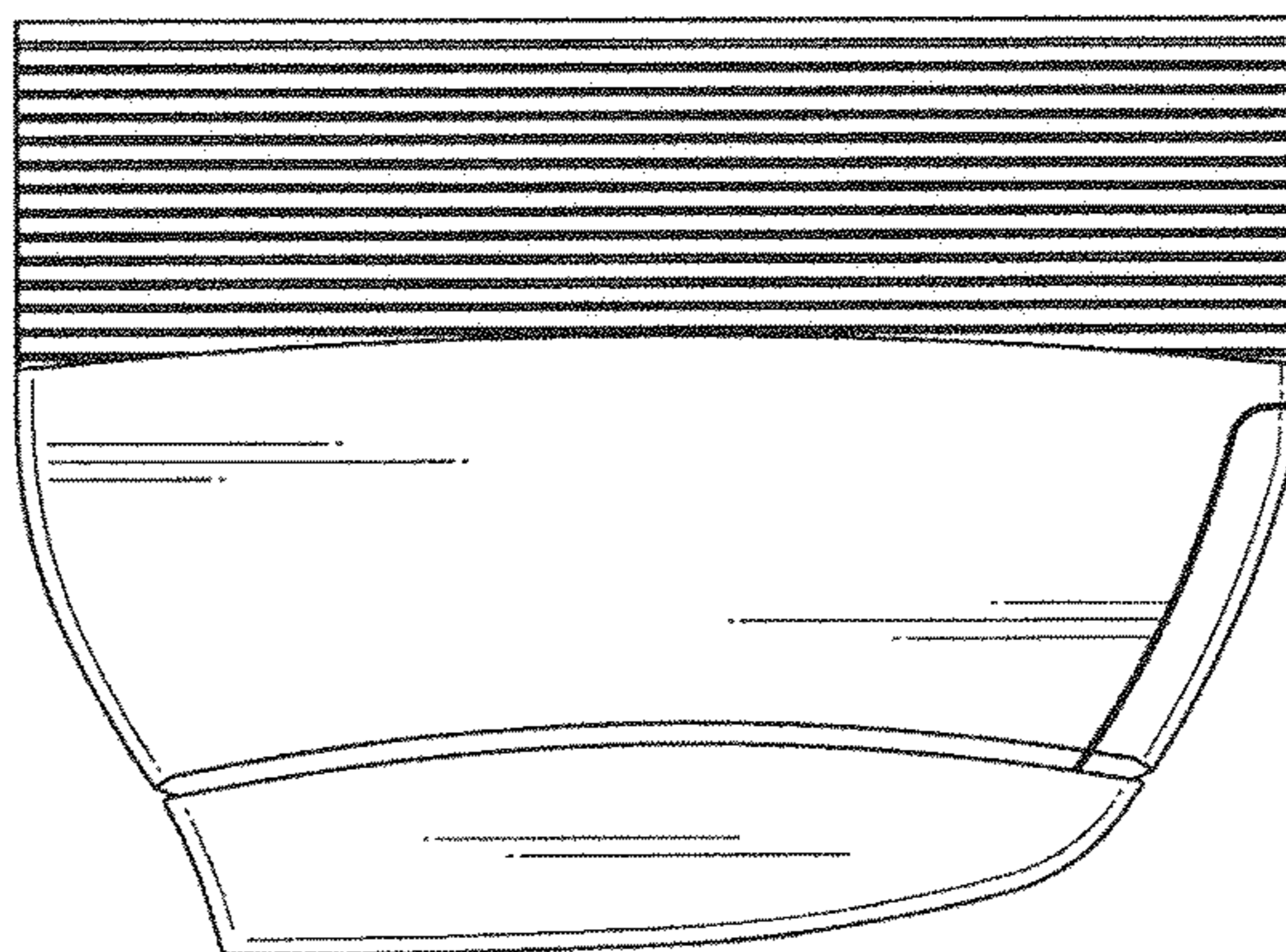


Fig. 6

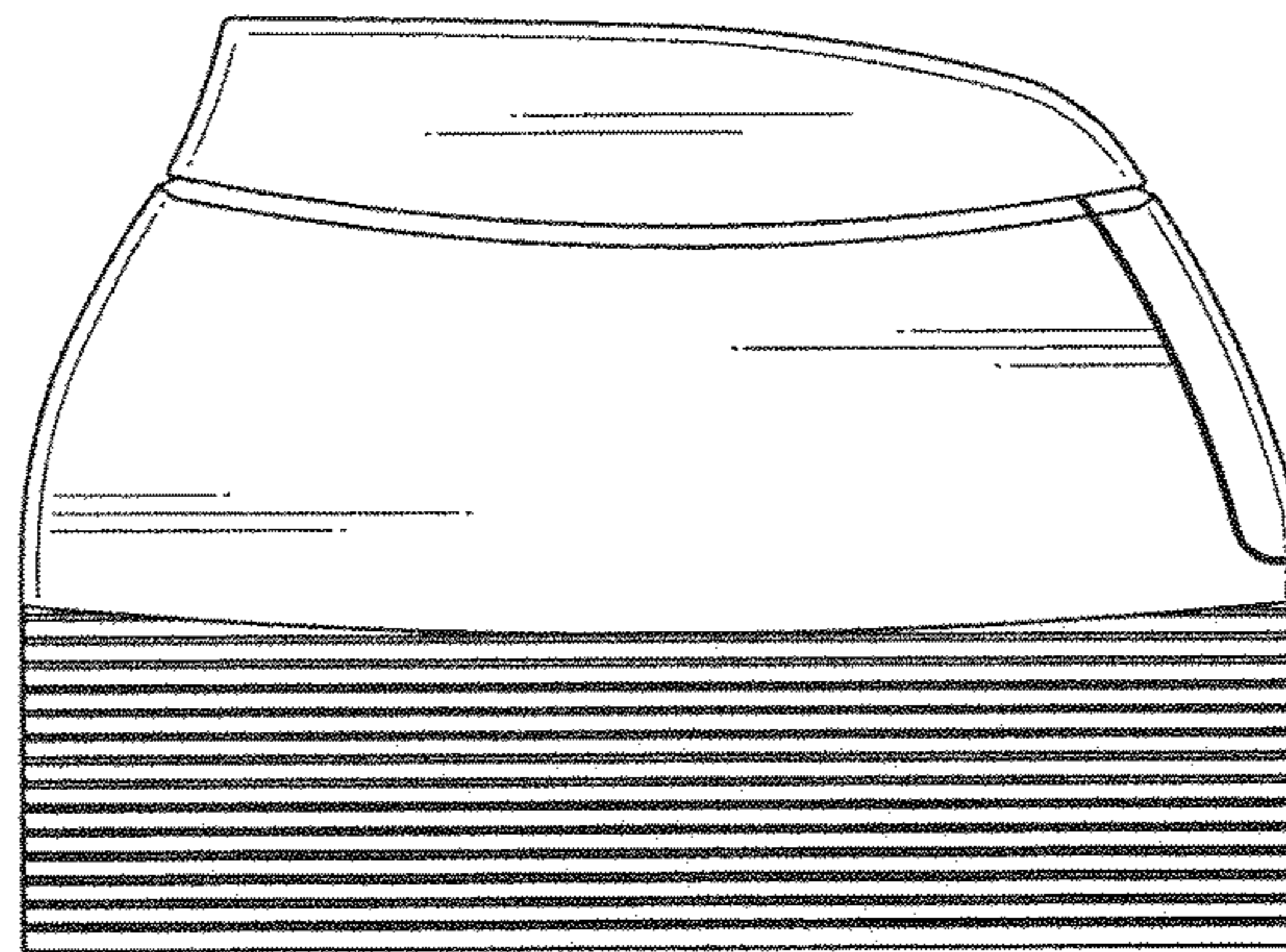


Fig. 8

