



US00D720841S

(12) **United States Design Patent**
Watanabe

(10) **Patent No.:** **US D720,841 S**
(45) **Date of Patent:** **** Jan. 6, 2015**

(54) **CONNECTING TOOL FOR EVAPORATOR**

(56) **References Cited**

(71) Applicant: **Keihin Thermal Technology Corporation**, Oyama-shi (JP)

(72) Inventor: **Sumitaka Watanabe**, Oyama (JP)

(73) Assignee: **Keihin Thermal Technology Corporation**, Oyama-Shi (JP)

(**) Term: **14 Years**

(21) Appl. No.: **29/484,016**

(22) Filed: **Mar. 5, 2014**

(30) **Foreign Application Priority Data**

Sep. 5, 2013 (JP) 2013-020540

(51) **LOC (10) Cl.** **23-03**

(52) **U.S. Cl.**
USPC **D23/322**

(58) **Field of Classification Search**
USPC D23/262, 322, 314, 323; 604/113;
165/175, 104.14, 154, 178, 42; 62/515

See application file for complete search history.

U.S. PATENT DOCUMENTS

6,601,639	B2 *	8/2003	Shibata	165/42
7,367,203	B2 *	5/2008	Katoh et al.	62/515
8,186,719	B2 *	5/2012	Kume	285/124.3
2009/0205814	A1 *	8/2009	Kume	165/178
2010/0241073	A1 *	9/2010	Andersen et al.	604/113
2013/0146262	A1 *	6/2013	Huh et al.	165/154
2014/0138053	A1 *	5/2014	Alessandrini	165/104.14

* cited by examiner

Primary Examiner — T. Chase Nelson

Assistant Examiner — Ania Aman

(74) *Attorney, Agent, or Firm* — Mori & Ward, LLP

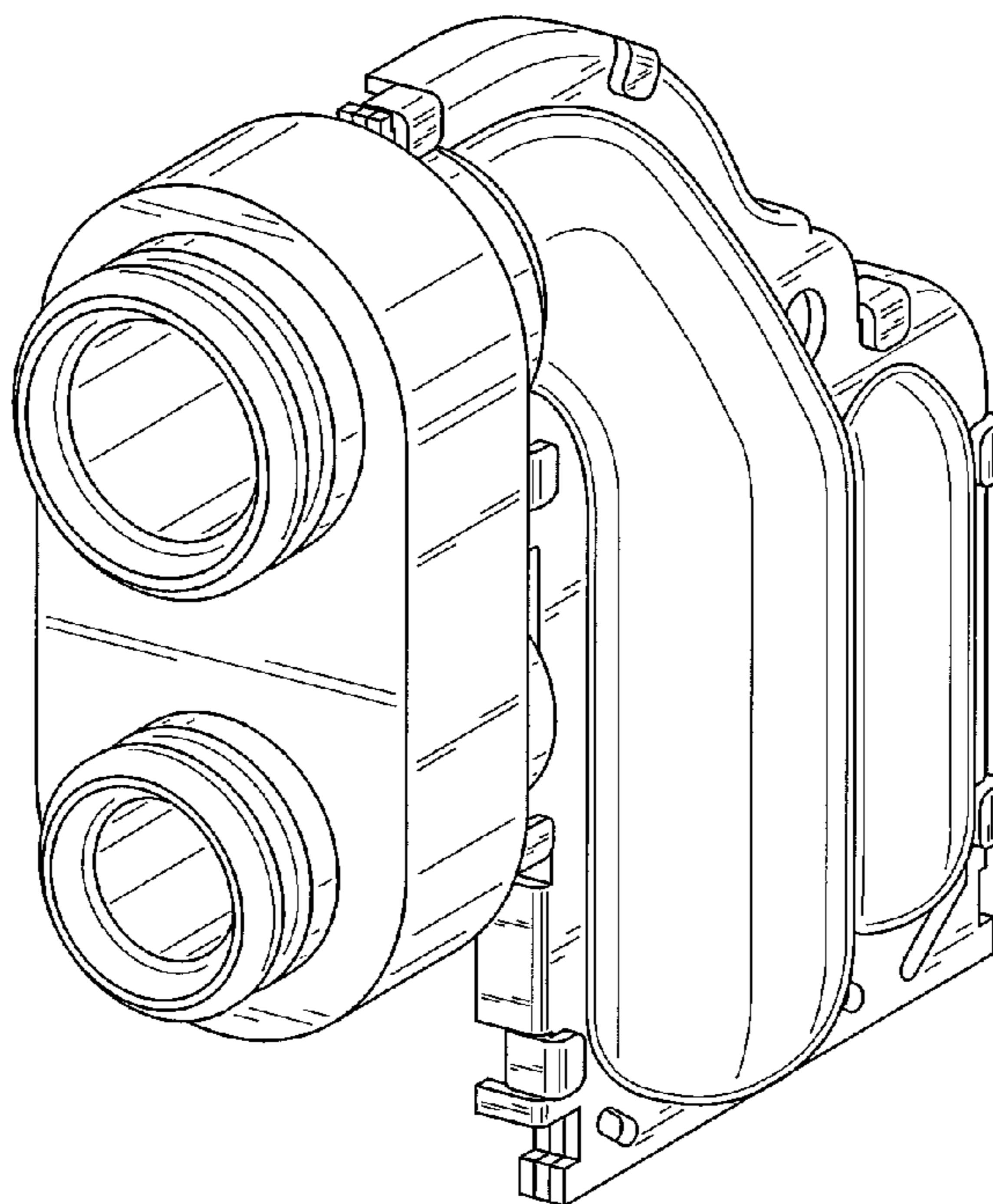
(57) **CLAIM**

The ornamental design for a connecting tool for evaporator, as shown and described.

DESCRIPTION

FIG. 1 is a top, left, front perspective view of a connecting tool for evaporator, showing my design;
FIG. 2 is a top plan view thereof;
FIG. 3 is a front elevational view thereof;
FIG. 4 is a bottom elevational view thereof;
FIG. 5 is a rear elevational view thereof;
FIG. 6 is a right side elevational view thereof; and,
FIG. 7 is a left side elevational view thereof.
All broken lines shown in FIGS. 5 and 7 form no part of the design of the present invention.

1 Claim, 4 Drawing Sheets



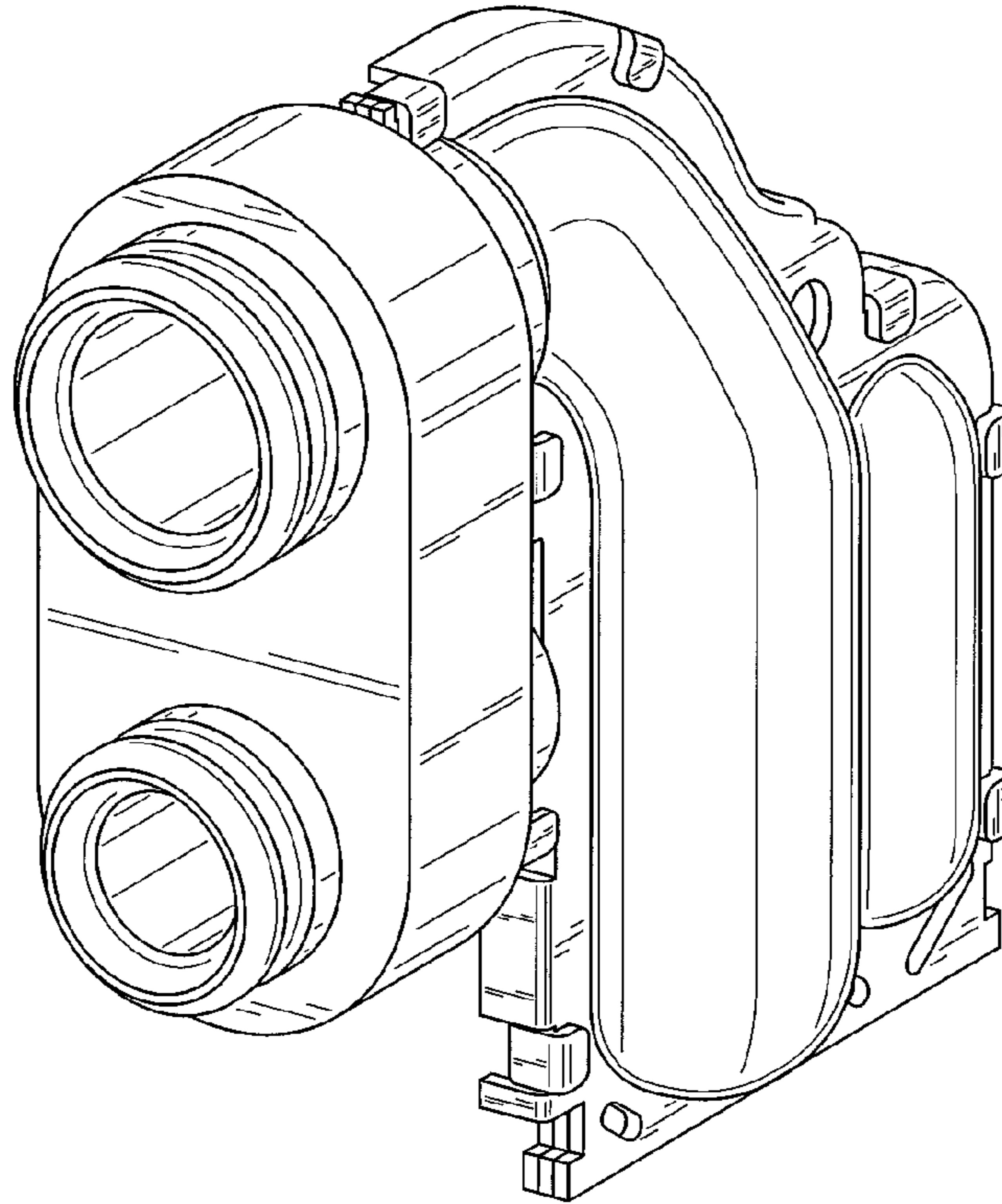


FIG. 1

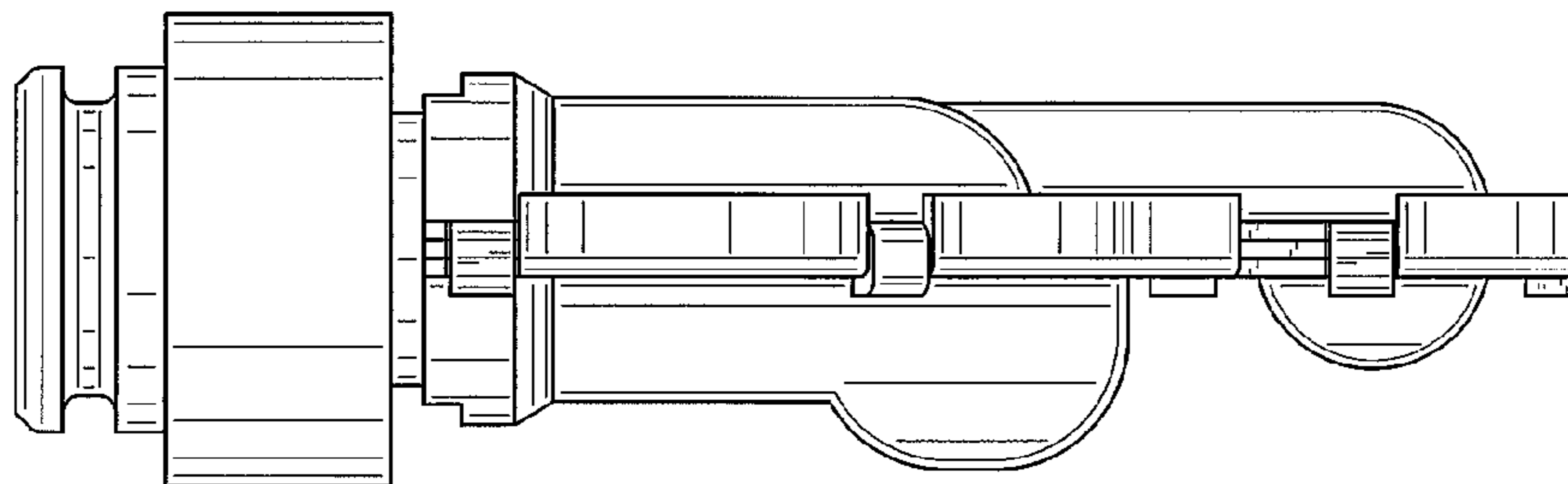


FIG. 2

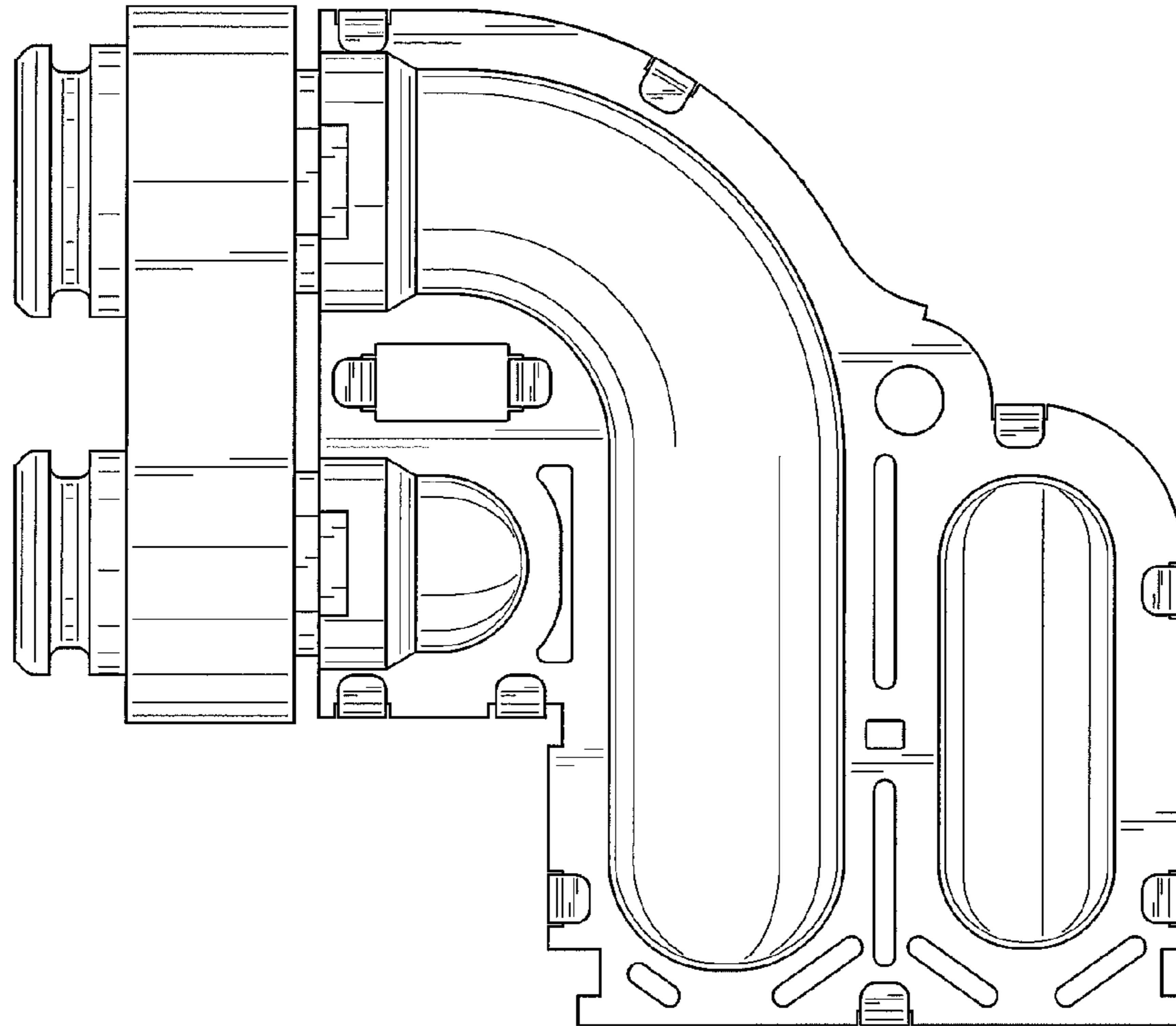


FIG. 3

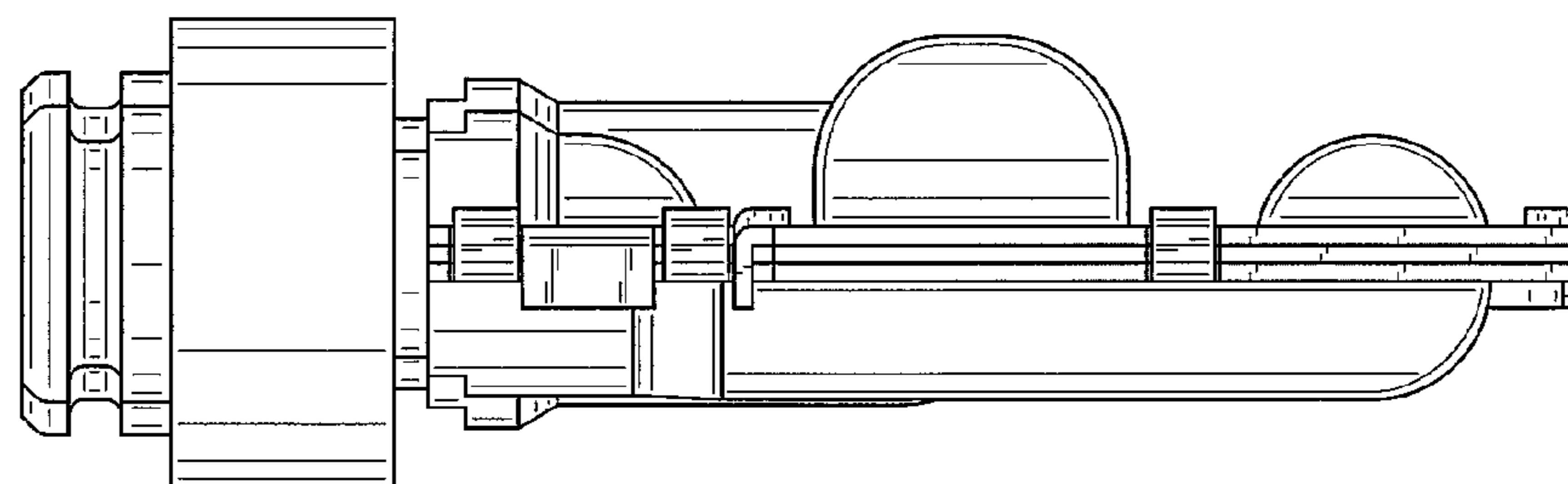


FIG. 4

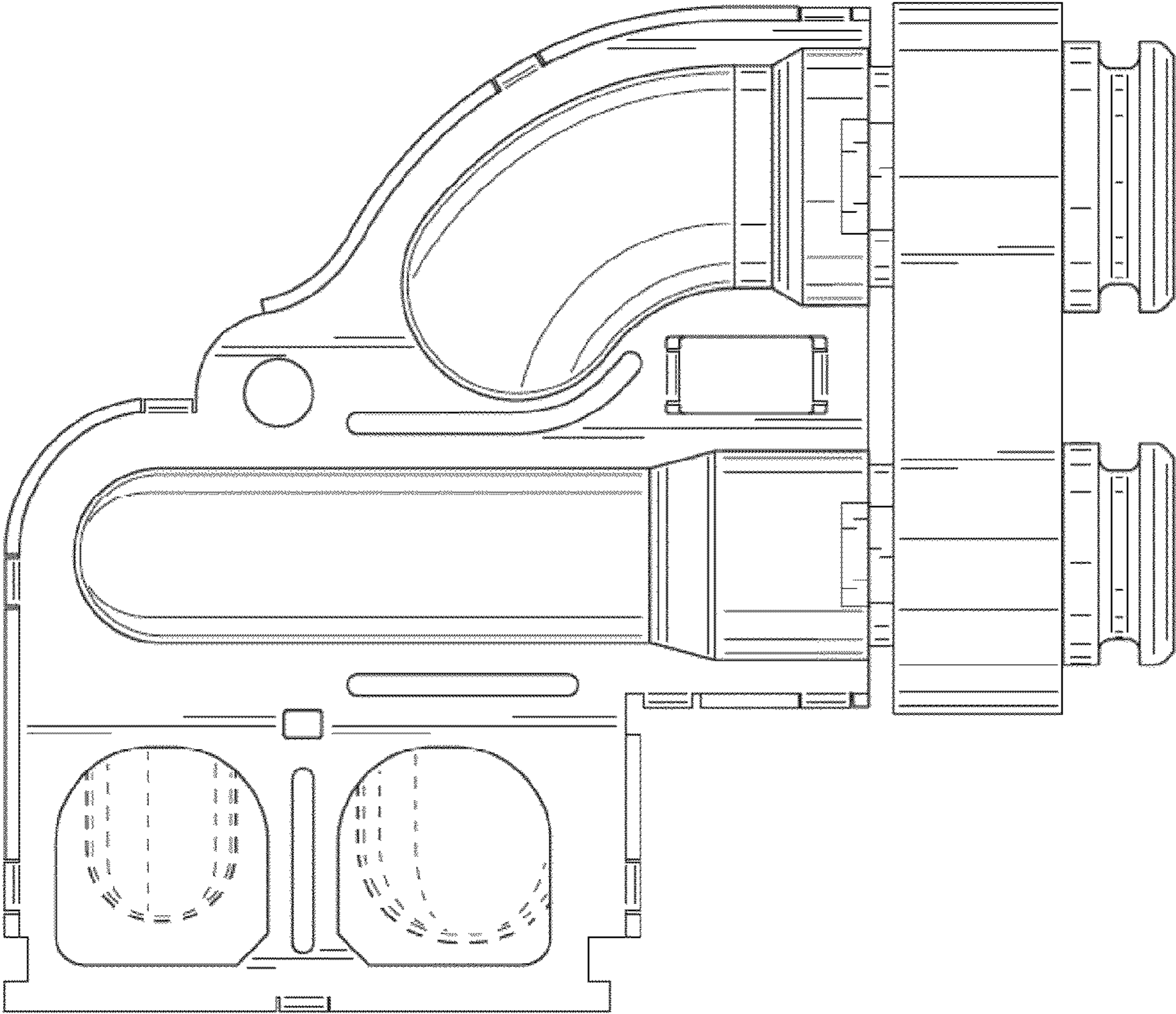


FIG. 5

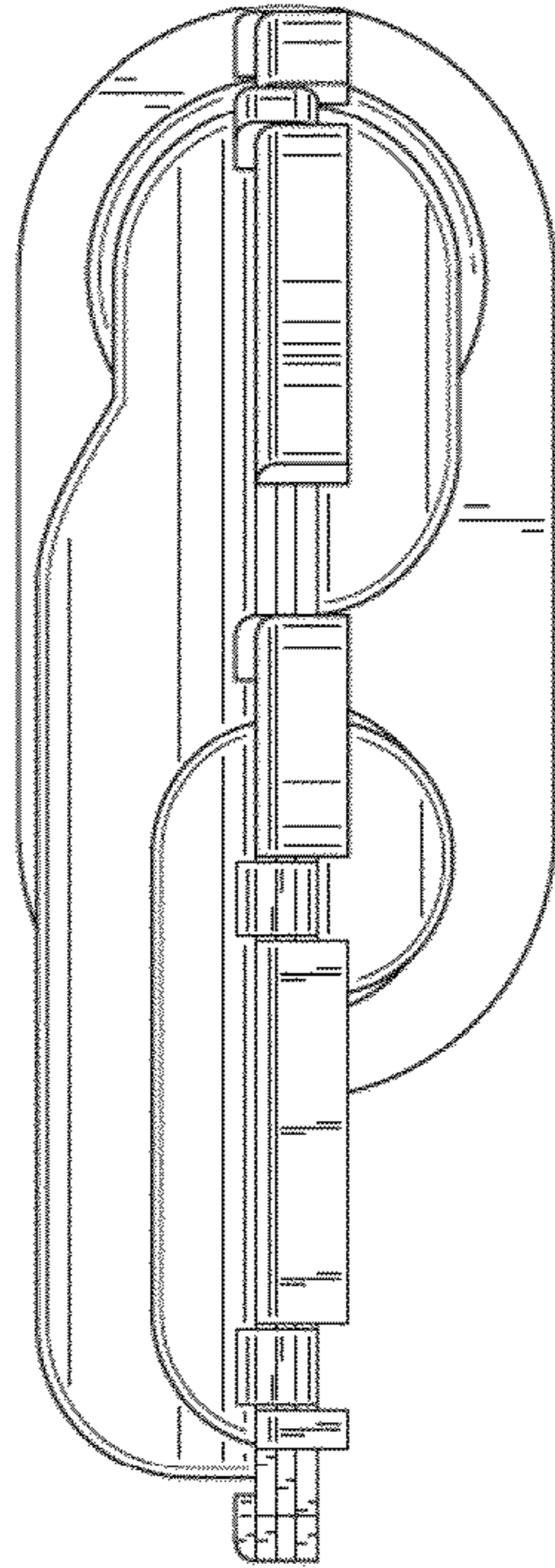


FIG. 6

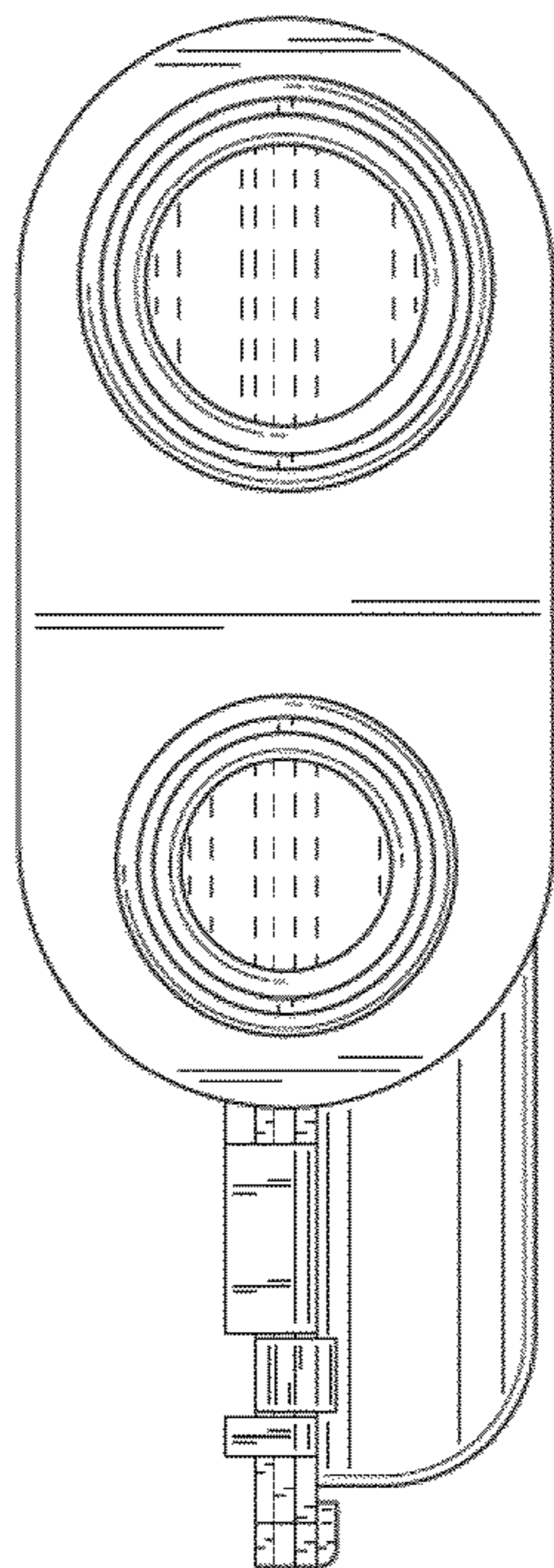


FIG. 7