



US00D720840S

(12) **United States Design Patent**
Garland et al.

(10) **Patent No.:** **US D720,840 S**
(45) **Date of Patent:** **** Jan. 6, 2015**

(54) **TOILET**

(56) **References Cited**

- (71) Applicant: **Masco Corporation of Indiana,**
Indianapolis, IN (US)
- (72) Inventors: **Celine Kwok Garland,** Zionsville, IN
(US); **Anthony Spangler,** Indianapolis,
IN (US)
- (73) Assignee: **Masco Corporation of Indiana,**
Indianapolis, IN (US)
- (**) Term: **14 Years**
- (21) Appl. No.: **29/498,830**
- (22) Filed: **Aug. 8, 2014**

U.S. PATENT DOCUMENTS

D496,443 S *	9/2004	Bates	D23/301
D672,019 S *	12/2012	Bucher	D23/301
D690,402 S *	9/2013	Bates et al.	D23/301

* cited by examiner

Primary Examiner — Robert Delehanty

(74) *Attorney, Agent, or Firm* — Edgar A. Zarins; Nirav D. Parikh

(57) **CLAIM**

The ornamental design for a toilet, as shown and described.

DESCRIPTION

FIG. 1 is a perspective view of a toilet showing our new design;

FIG. 2 is a front elevational view thereof;

FIG. 3 is a right side view thereof;

FIG. 4 is a left side view thereof;

FIG. 5 is a rear view thereof;

FIG. 6 is a top plan view thereof; and,

FIG. 7 is a bottom view thereof.

The broken lines showing portions of the toilet form no part of the claimed design.

Related U.S. Application Data

(62) Division of application No. 29/457,529, filed on Jun. 11, 2013.

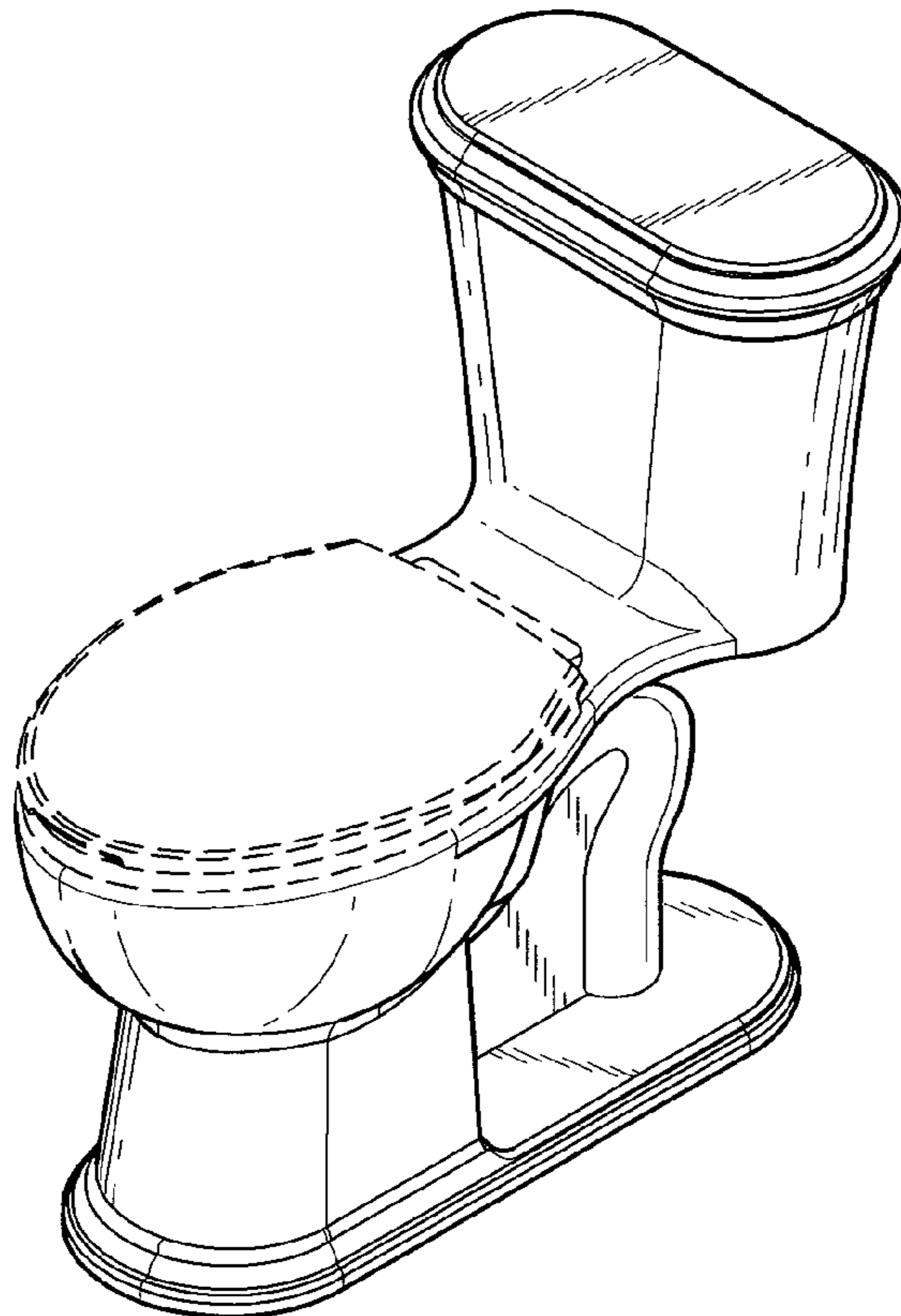
(51) **LOC (10) Cl.** **23-02**

(52) **U.S. Cl.**
USPC **D23/301**

(58) **Field of Classification Search**
USPC D23/295, 303, 309, 299, 301, 313, 311;
4/300, 420, 353, 460, 234, 242.1, 237,
4/239

See application file for complete search history.

1 Claim, 3 Drawing Sheets



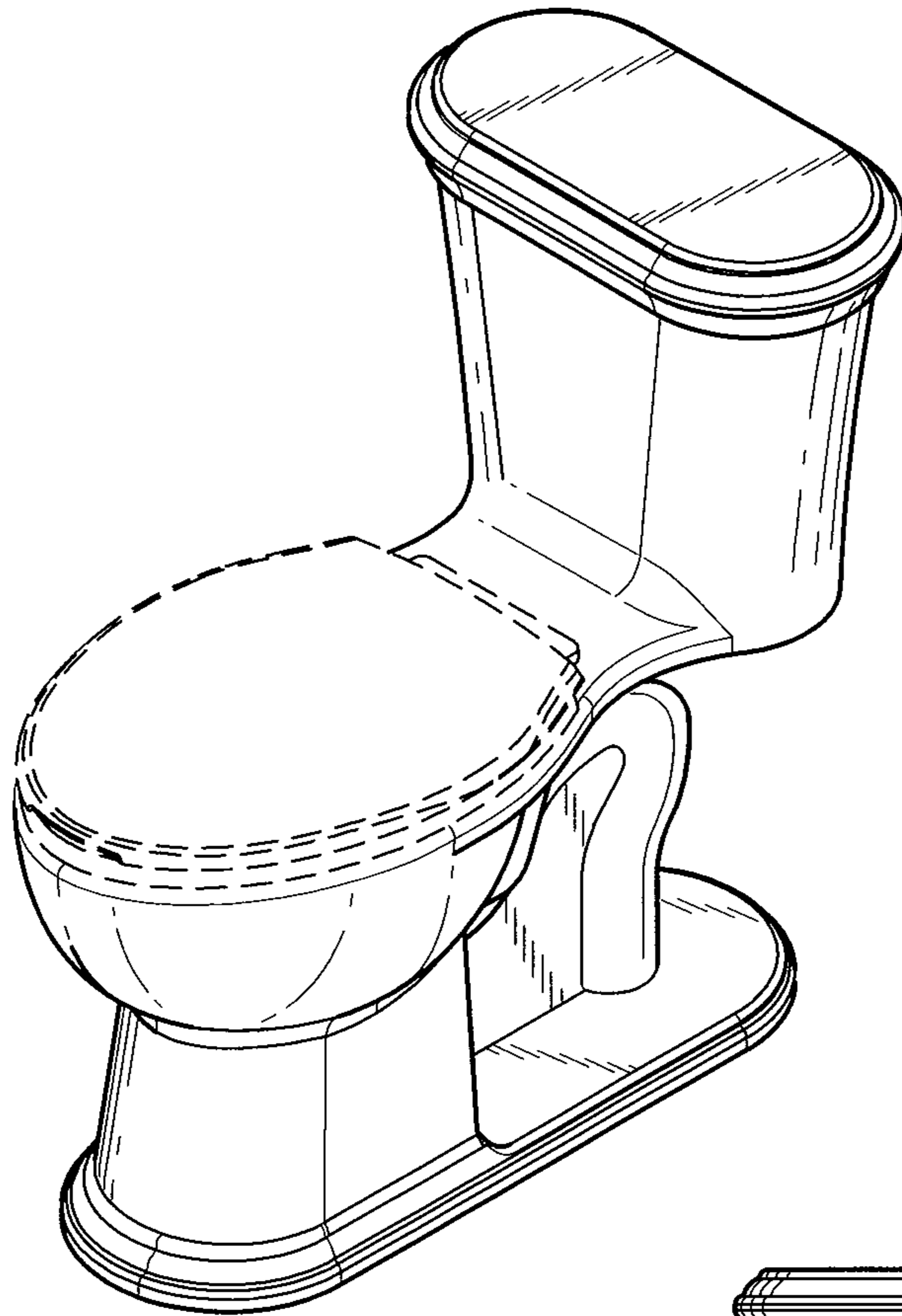


Fig-1

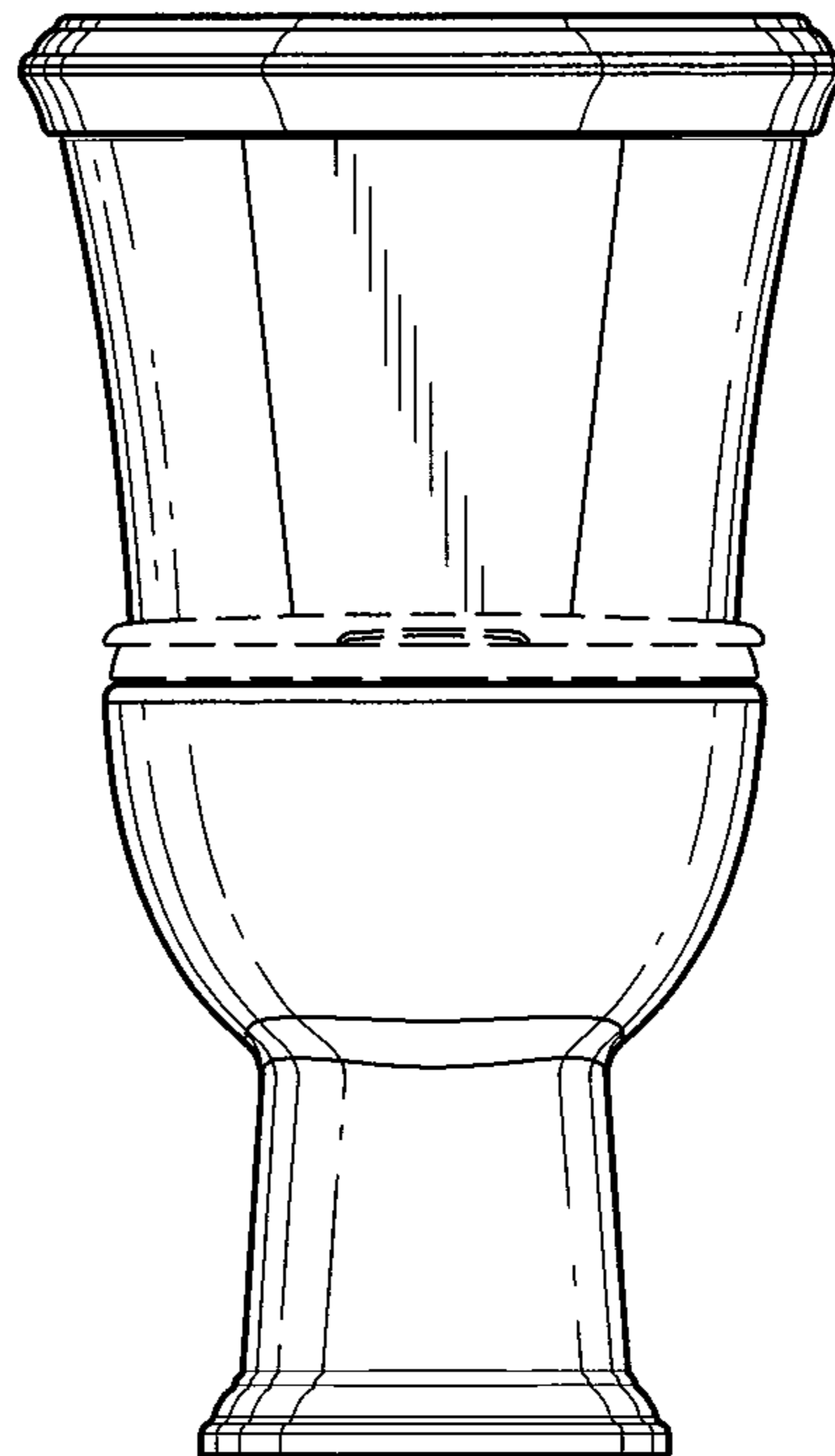


Fig-2

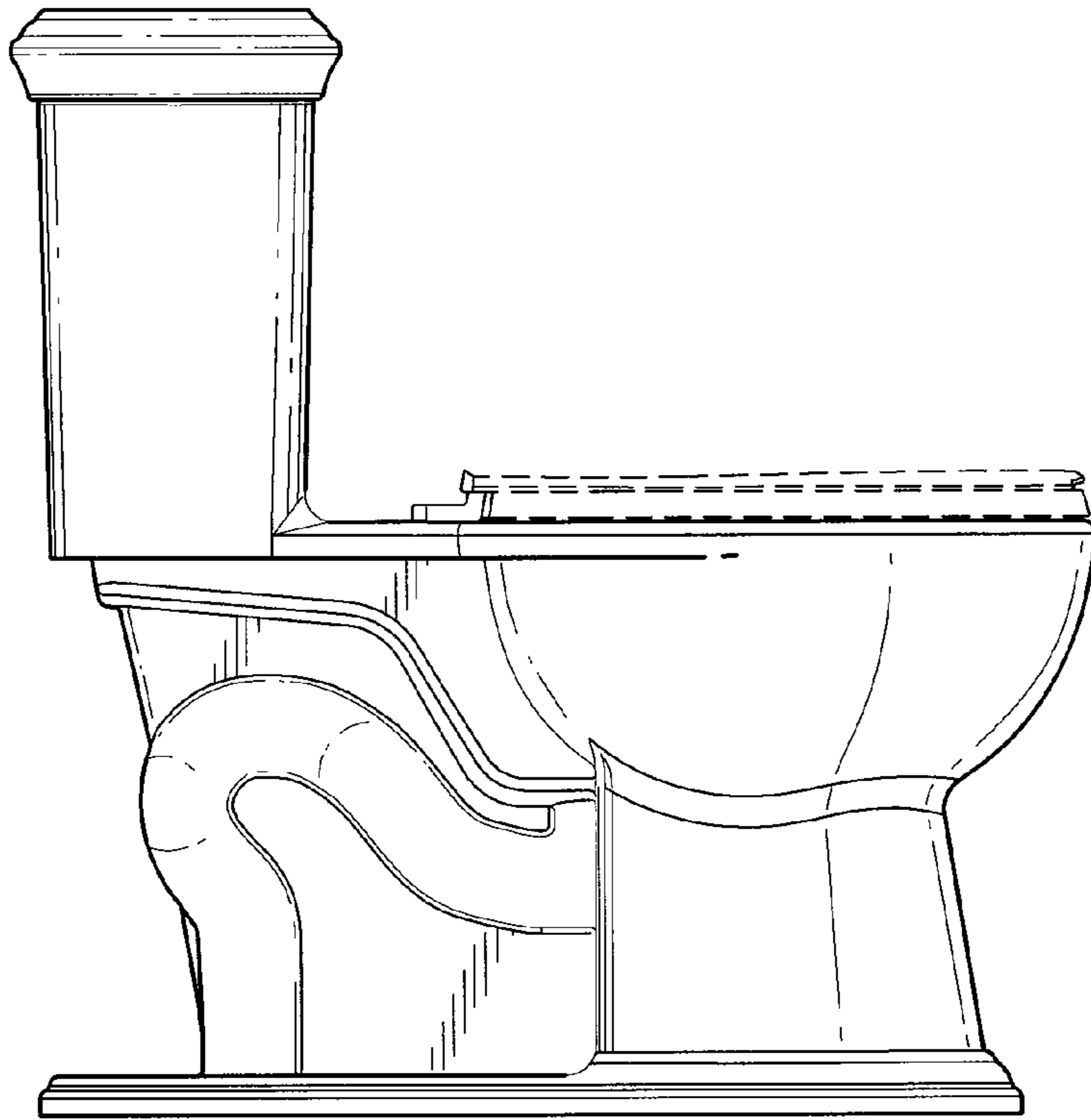


Fig-3

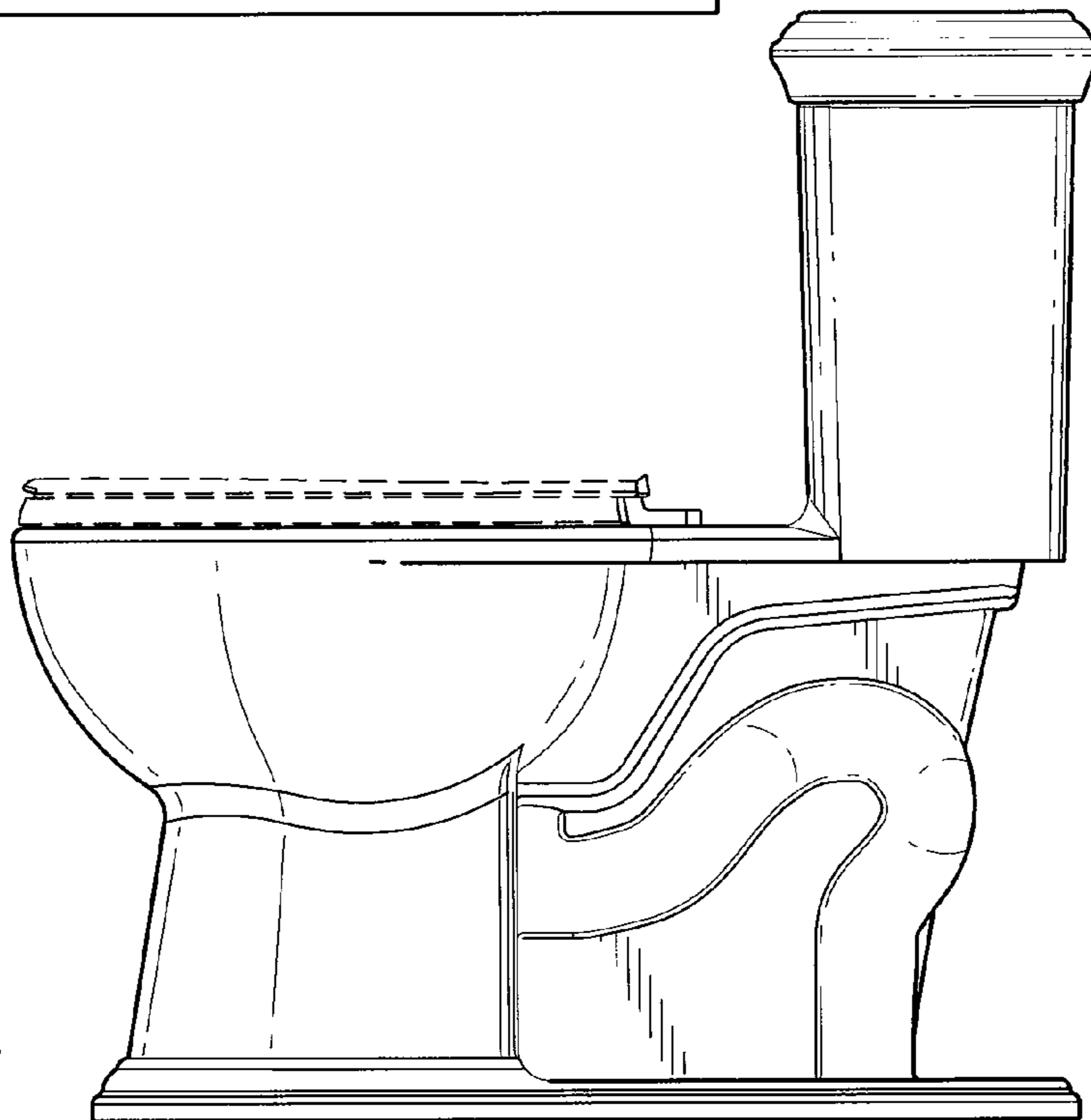


Fig-4

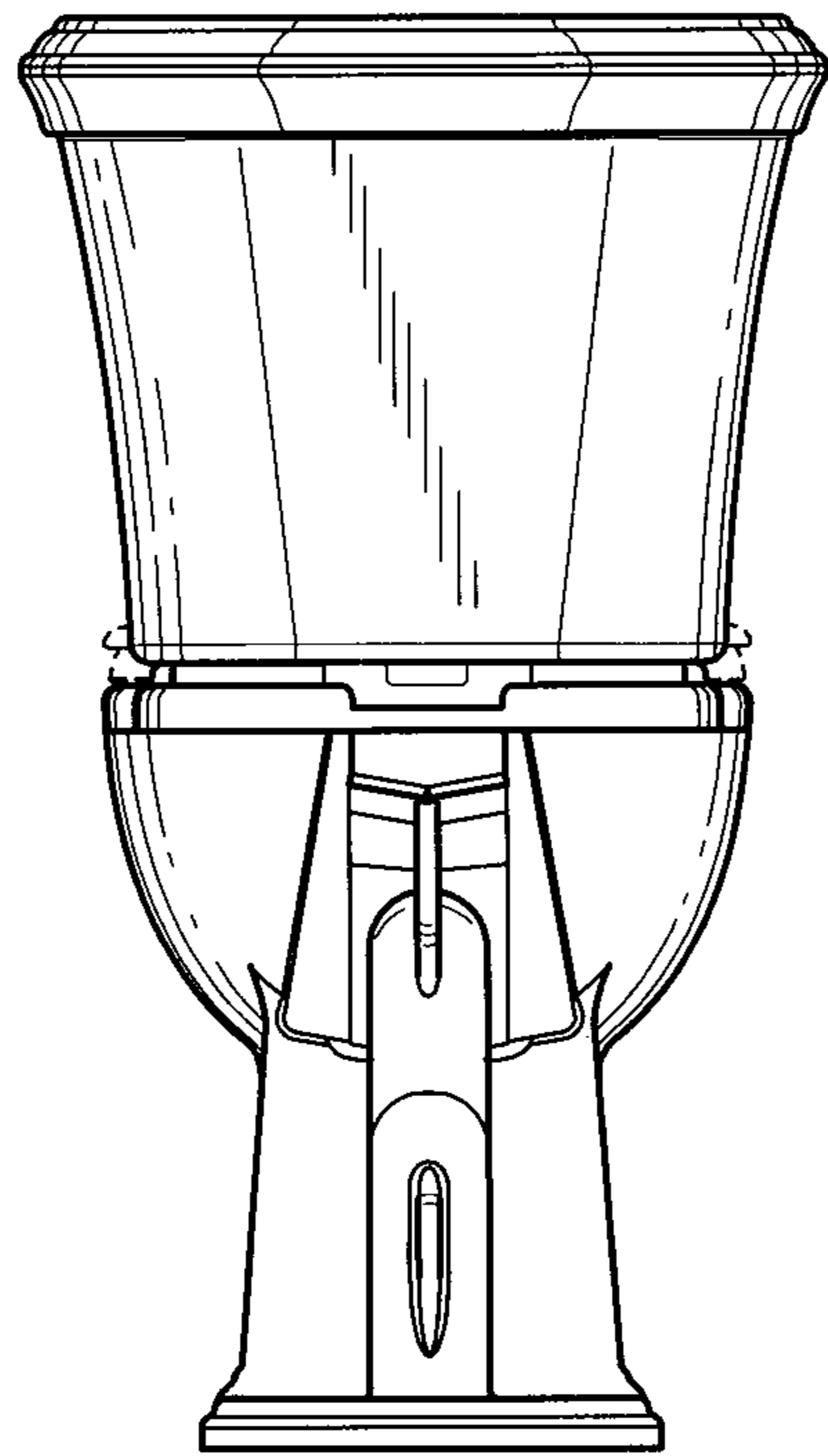


Fig-5

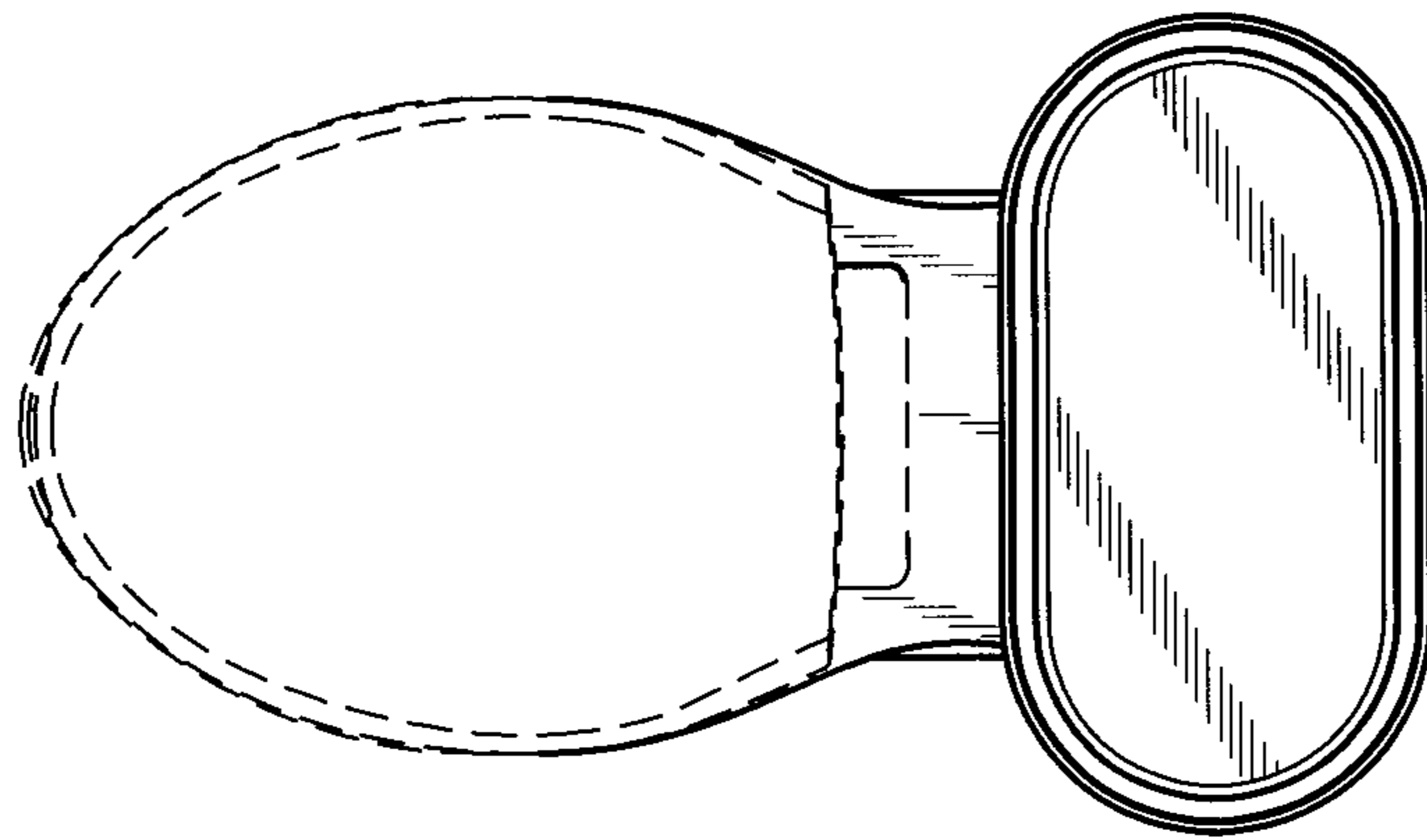


Fig-6

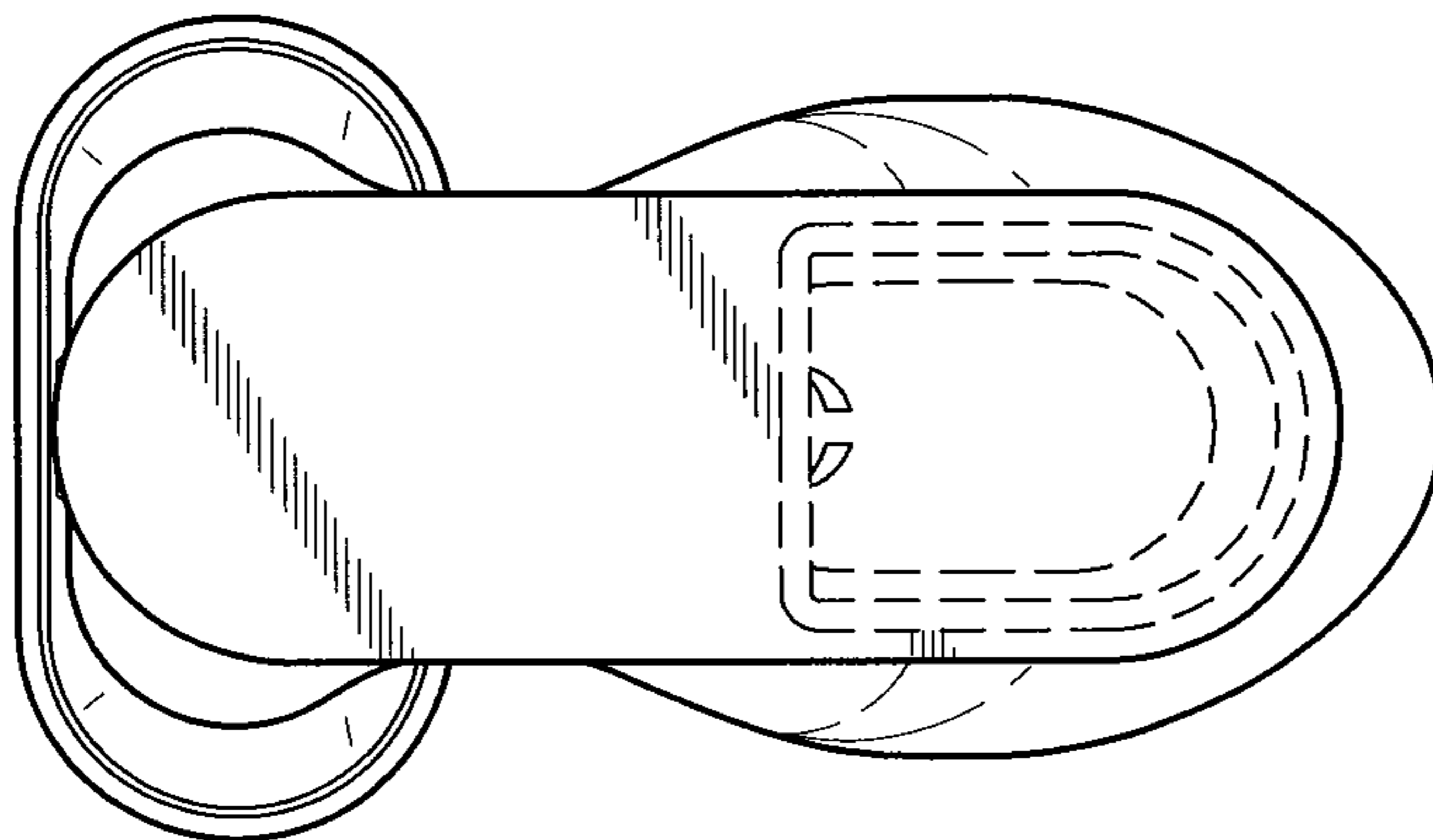


Fig-7