



US00D720838S

(12) **United States Design Patent**
Yamagishi et al.

(10) **Patent No.:** **US D720,838 S**
(45) **Date of Patent:** **** Jan. 6, 2015**

(54) **SHOWER PLATE**
(71) Applicant: **ASM IP Holding B.V.**, Almere (NL)
(72) Inventors: **Takayuki Yamagishi**, Kashiwazaki (JP);
Kazuo Sato, Kawasaki (JP); **Naoto Tsuji**, Tokyo (JP)
(73) Assignee: **ASM IP Holding B.V.**, Almere (NL)
(**) Term: **14 Years**
(21) Appl. No.: **29/481,301**

(22) Filed: **Feb. 4, 2014**
(51) **LOC (10) Cl.** **23-01**
(52) **U.S. Cl.**
USPC **D23/261**
(58) **Field of Classification Search**
USPC D23/259, 260, 261, 262, 263, 264, 265,
D23/266, 267, 268, 269, 275, 283, 304;
4/596, 597, 598, 609, 612, 663;
239/548, 555, 600; 210/459, 460
See application file for complete search history.

(56) **References Cited**
U.S. PATENT DOCUMENTS
5,060,322 A * 10/1991 Delepine 4/601
D327,534 S * 6/1992 Manville et al. D23/261
D380,527 S * 7/1997 Velez D23/261
D419,652 S * 1/2000 Hall et al. D23/259
D457,609 S * 5/2002 Piano D23/304
D461,233 S * 8/2002 Whalen D23/261
D461,882 S * 8/2002 Piano D23/304

D486,891 S * 2/2004 Cronce, Jr. D23/260
6,688,784 B1 * 2/2004 Templeton 396/611
7,143,897 B1 * 12/2006 Guzman et al. 210/460
D585,968 S * 2/2009 Elkins et al. D23/259
D602,575 S * 10/2009 Breda D23/261
D613,829 S * 4/2010 Griffin et al. D23/260
D652,896 S * 1/2012 Grether D23/249
D653,734 S * 2/2012 Sisk D23/269
8,196,234 B2 * 6/2012 Glunk 4/614
D665,055 S * 8/2012 Yanagisawa et al. D23/261
8,307,472 B1 * 11/2012 Saxon et al. 4/597
2005/0258280 A1 * 11/2005 Goto et al. 239/548
2013/0292047 A1 * 11/2013 Tian et al. 156/242
2014/0283747 A1 * 9/2014 Kasai et al. 118/723 R

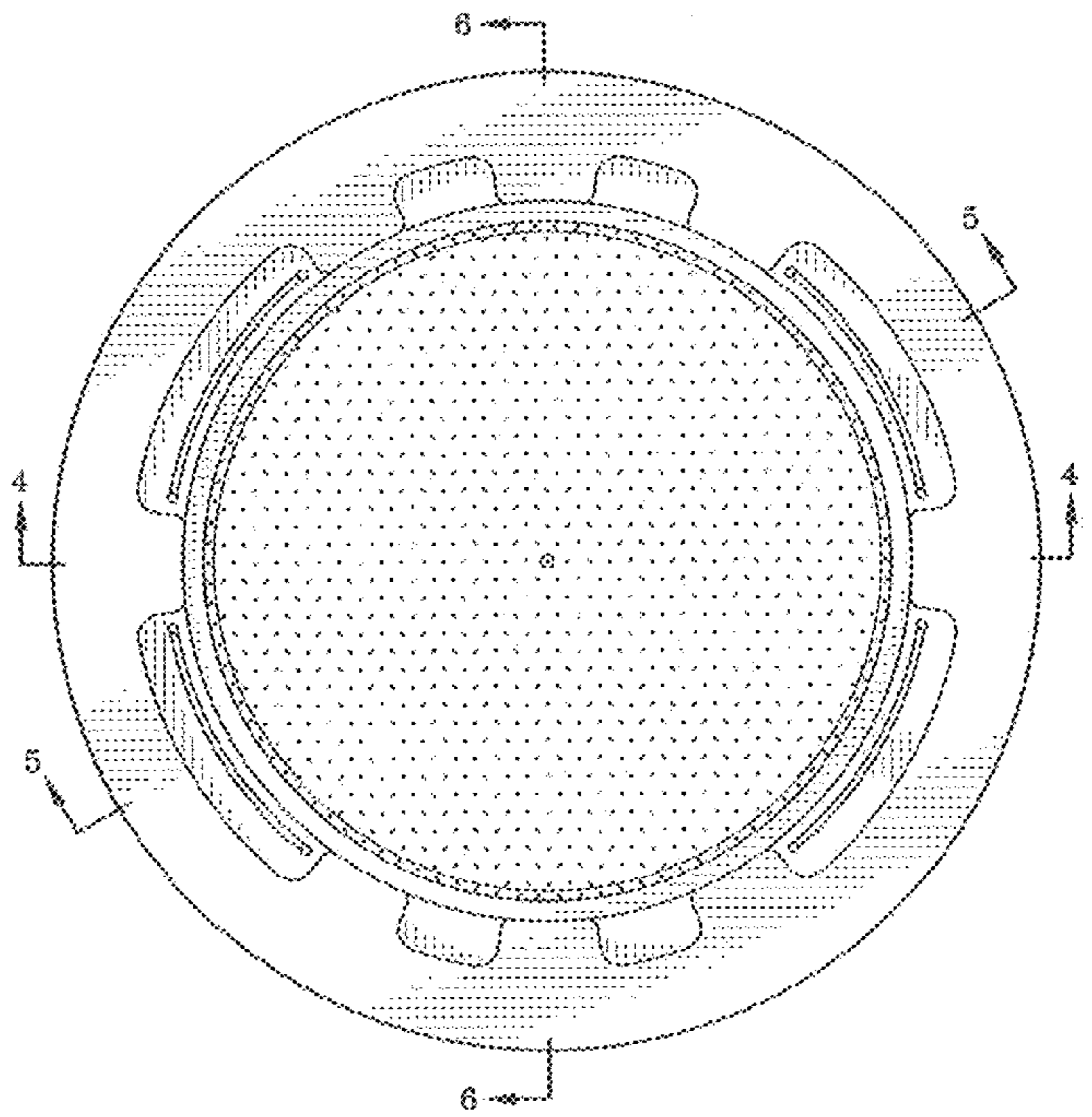
* cited by examiner
Primary Examiner — Eric Goodman
Assistant Examiner — Steven Czyz
(74) *Attorney, Agent, or Firm* — Snell & Wilmer L.L.P.

(57) **CLAIM**
The ornamental design for a shower plate, as shown and described.

DESCRIPTION

FIG. 1 is a top view of a shower plate of the present invention;
FIG. 2 is a bottom view thereof;
FIG. 3 is a side view thereof;
FIG. 4 is a cross-sectional side view thereof, taken along the line 4-4 in FIG. 1;
FIG. 5 is a cross-sectional side view thereof, taken along the line 5-5 in FIG. 1; and,
FIG. 6 is a cross-sectional side view thereof, taken along the line 6-6 in FIG. 1.

1 Claim, 3 Drawing Sheets



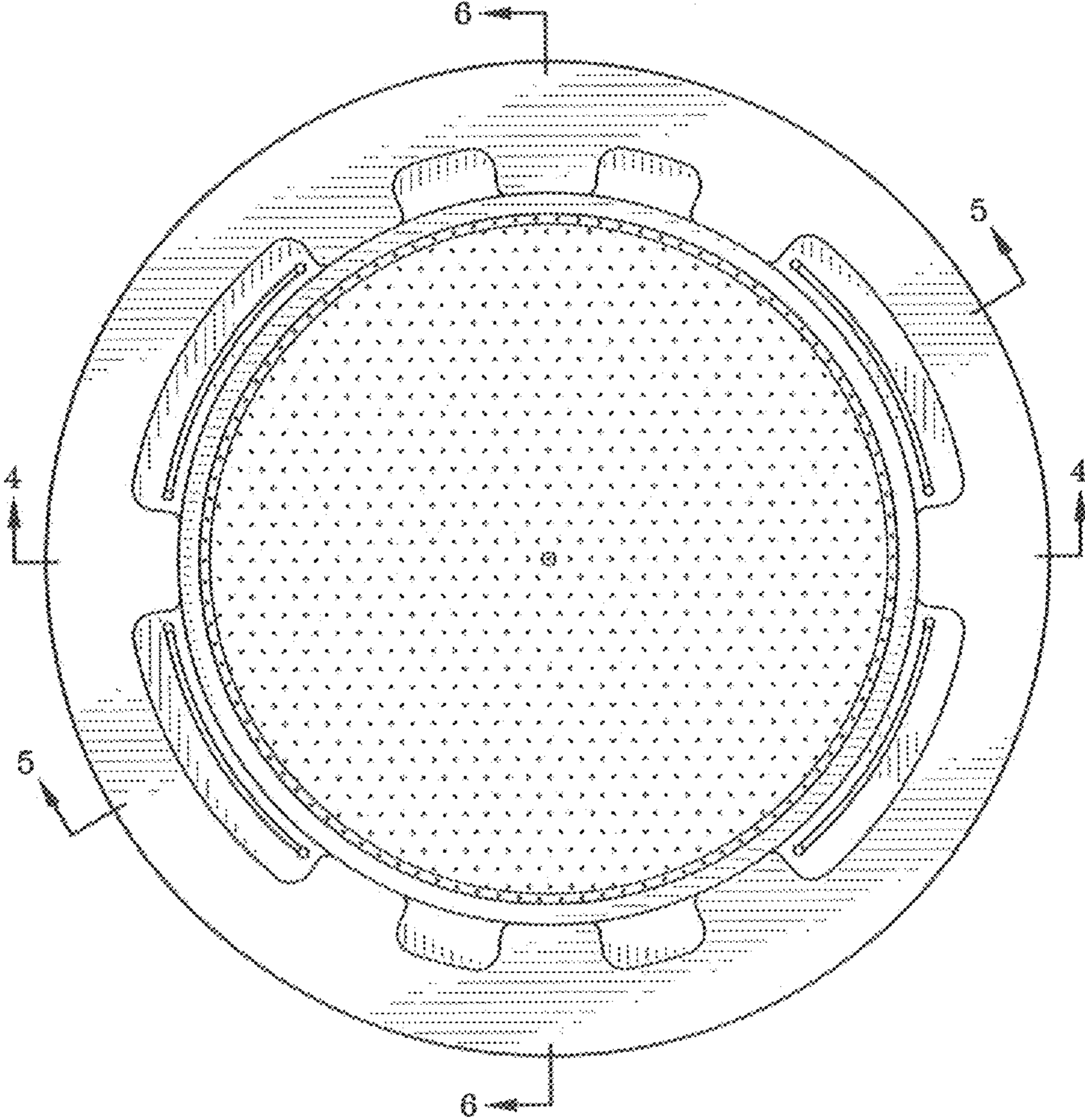


FIG-1

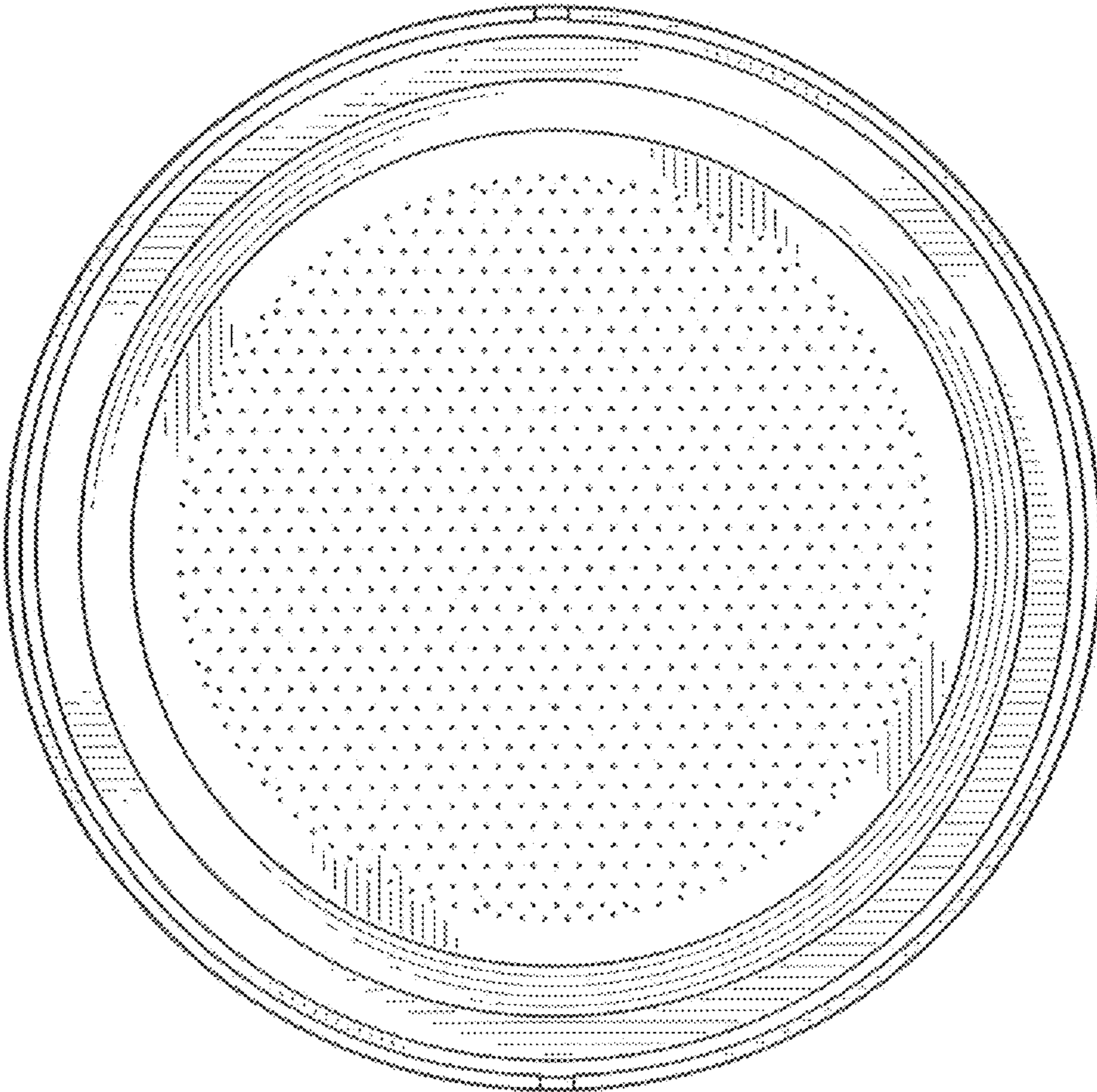


FIG-2

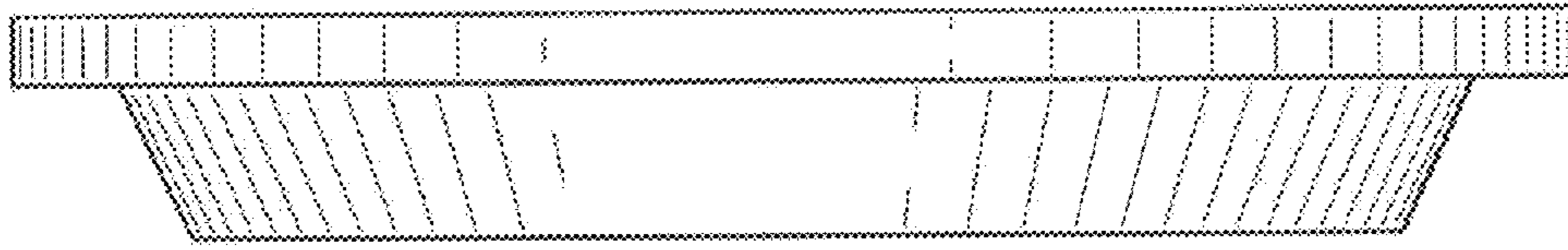


FIG-3

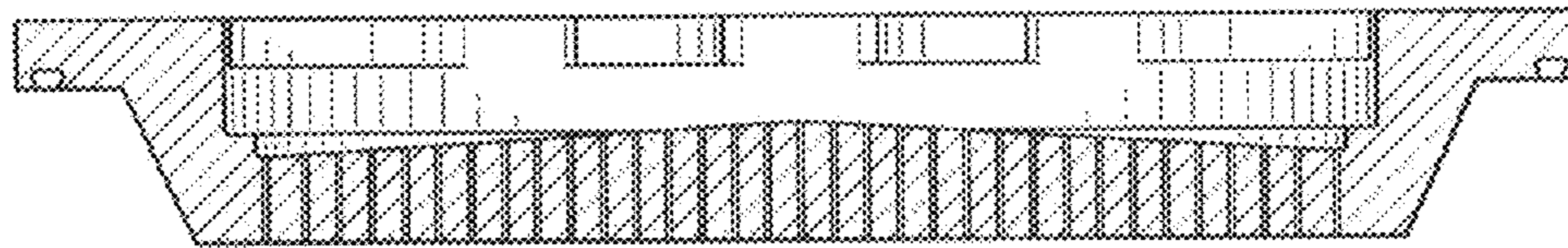


FIG-4

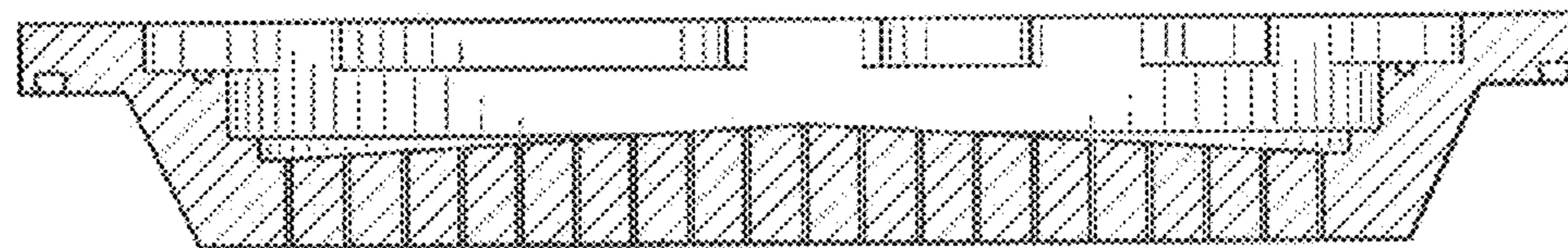


FIG-5

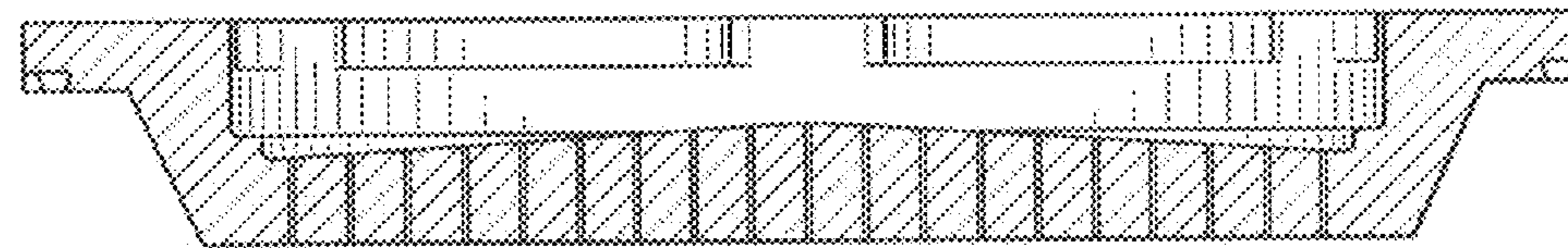


FIG-6