



US00D720835S

(12) **United States Design Patent**
Fitzgerald

(10) **Patent No.:** **US D720,835 S**

(45) **Date of Patent:** **** Jan. 6, 2015**

(54) **PULL-OUT FAUCET FOR BATH TUB**

(71) Applicant: **Patricia E. Fitzgerald**, Franklin, MA
(US)

(72) Inventor: **Patricia E. Fitzgerald**, Franklin, MA
(US)

(**) Term: **14 Years**

(21) Appl. No.: **29/498,986**

(22) Filed: **Aug. 11, 2014**

(51) **LOC (10) Cl.** **23-01**

(52) **U.S. Cl.**
USPC **D23/255**

(58) **Field of Classification Search**
CPC E03C 1/04; E03C 1/0401; E03C 1/0402;
E03C 1/0404
USPC D23/238, 241–243, 249, 255, 257,
D23/223–224
See application file for complete search history.

(56) **References Cited**

U.S. PATENT DOCUMENTS

D352,347 S *	11/1994	Dannenberg	D23/223
D418,586 S *	1/2000	Lord	D23/255
D473,287 S *	4/2003	Hsu	D23/223
D477,861 S *	7/2003	Lord	D23/255
D530,785 S *	10/2006	Rexach et al.	D23/238
D608,417 S *	1/2010	Rubin et al.	D23/238
2007/0069168 A1 *	3/2007	Jonte	251/129.03

* cited by examiner

Primary Examiner — Robert Delehanty

(74) *Attorney, Agent, or Firm* — Muirhead and Saturnelli LLC

(57) **CLAIM**

The ornamental design for a pull-out faucet for bath tub, as shown and described.

DESCRIPTION

FIG. 1 is a perspective view showing a new design for a pull-out faucet as positioned on a bath tub, for example, a roman tub or a standard bath tub.

FIG. 2 is another perspective view showing an enlarged view of the pull-out faucet for bath tub in a retracted position.

FIG. 3 is another perspective view showing the pull-out faucet for bath tub in an extended position in which the faucet head is extended via a flexible hose.

FIG. 4 is a front elevational view showing the pull-out faucet for bath tub in the retracted position.

FIG. 5 is another front elevational view showing the pull-out faucet for bath tub in the retracted position and in a different operational state after displacing a water flow control button on the faucet head.

FIG. 6 is a back elevational view of the pull-out faucet for bath tub in the initial retracted position.

FIG. 7 is a left side elevational view thereof.

FIG. 8 is a right side elevational view thereof.

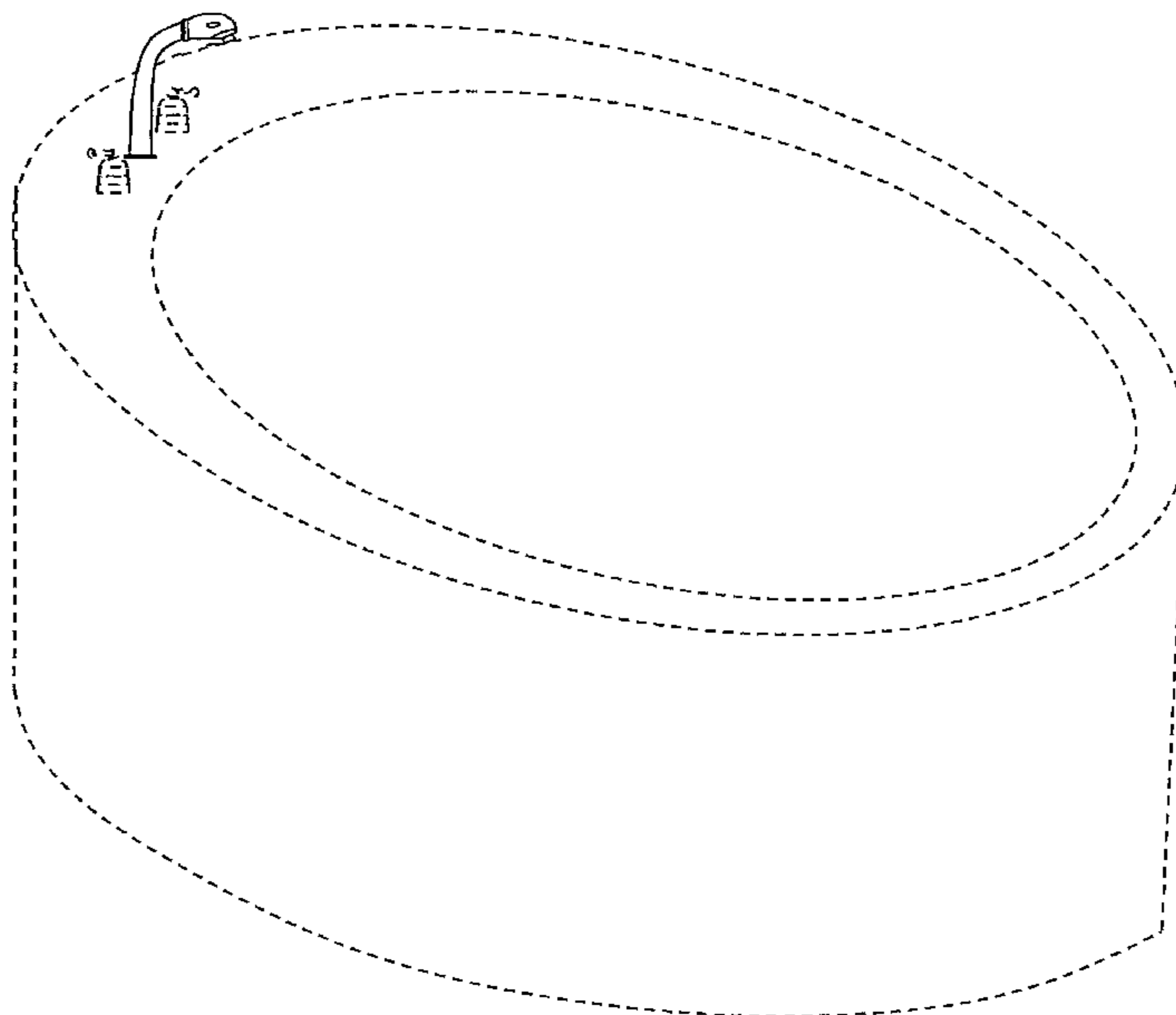
FIG. 9 is a top plan view thereof.

FIG. 10 is another top plan view showing the pull-out faucet for bath tub in the extended position; and,

FIG. 11 is a bottom plan view showing the pull-out faucet for bath tub in the initial retracted position.

The broken lines shown in the drawings illustrate portions of environmental structure and form no part of the claimed design.

1 Claim, 11 Drawing Sheets



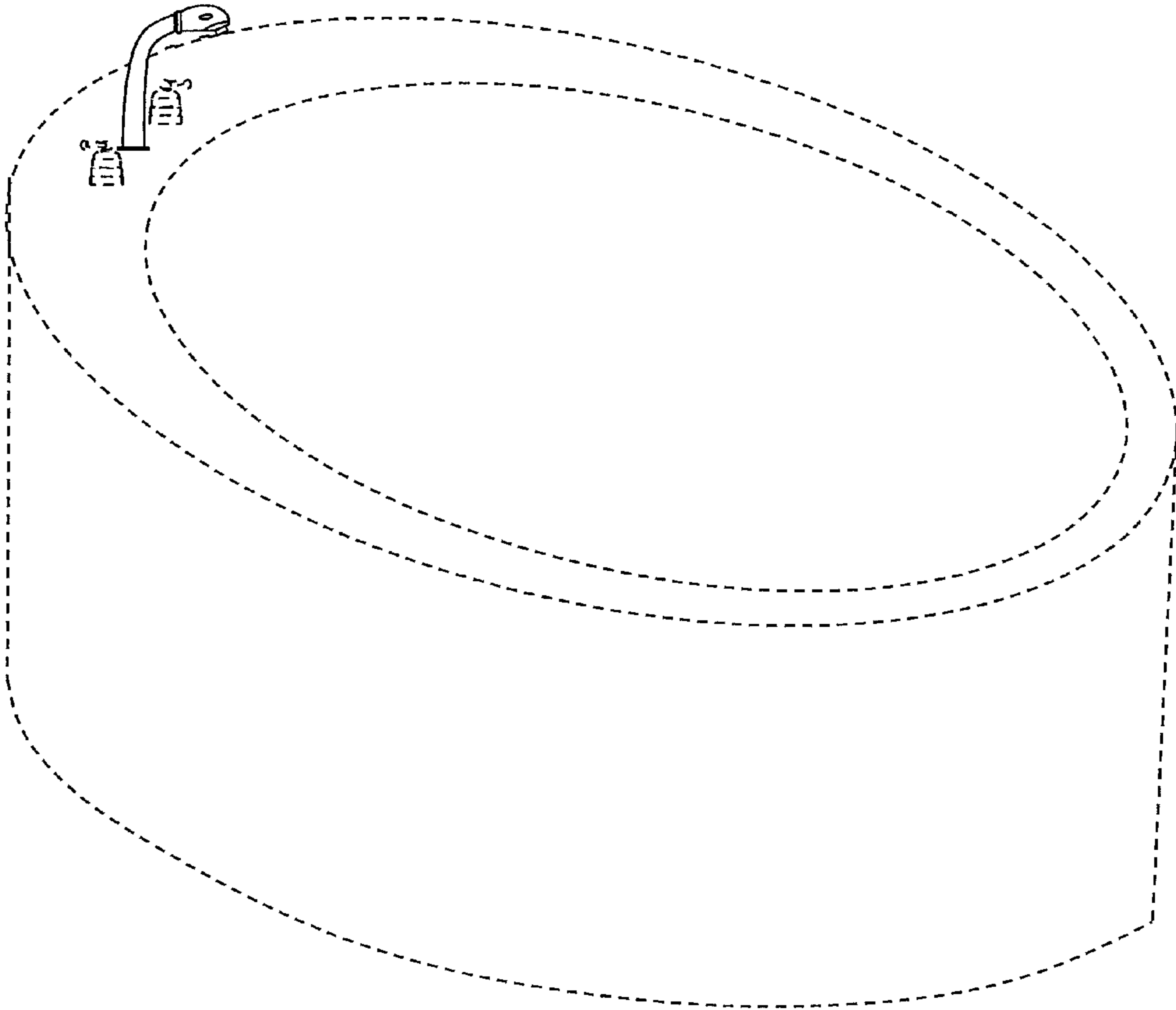


FIG. 1

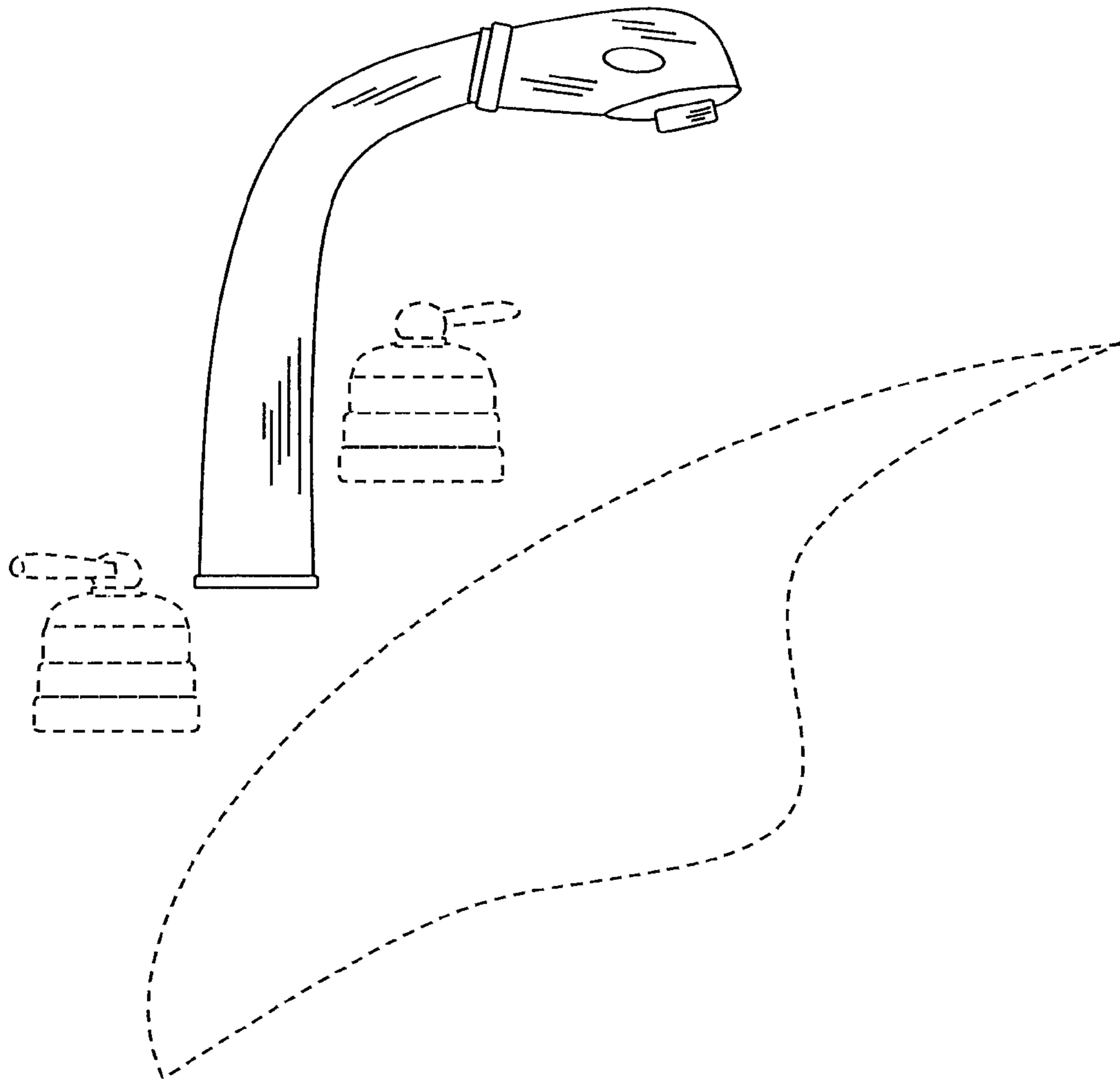


FIG. 2

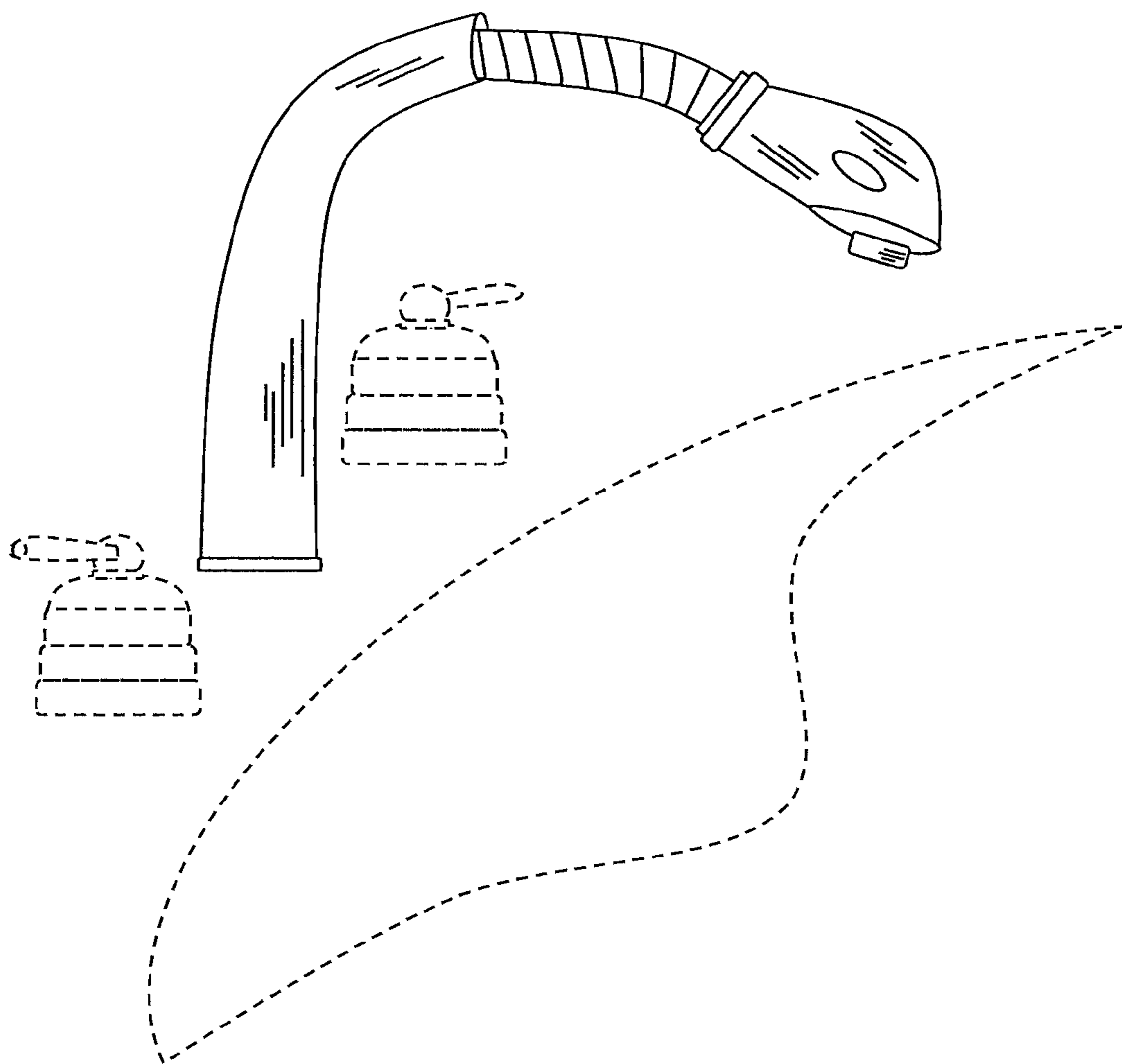


FIG. 3

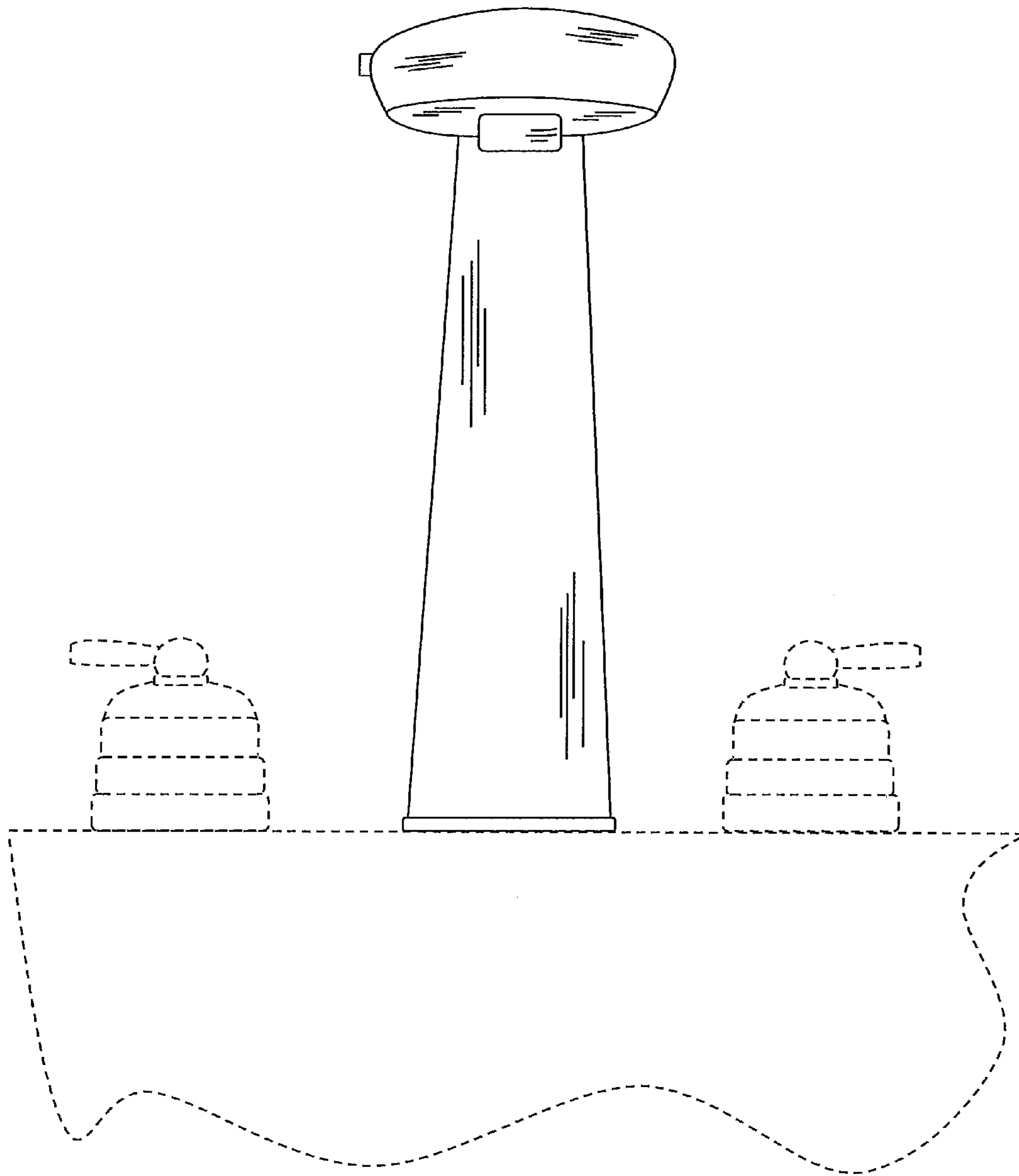


FIG. 4

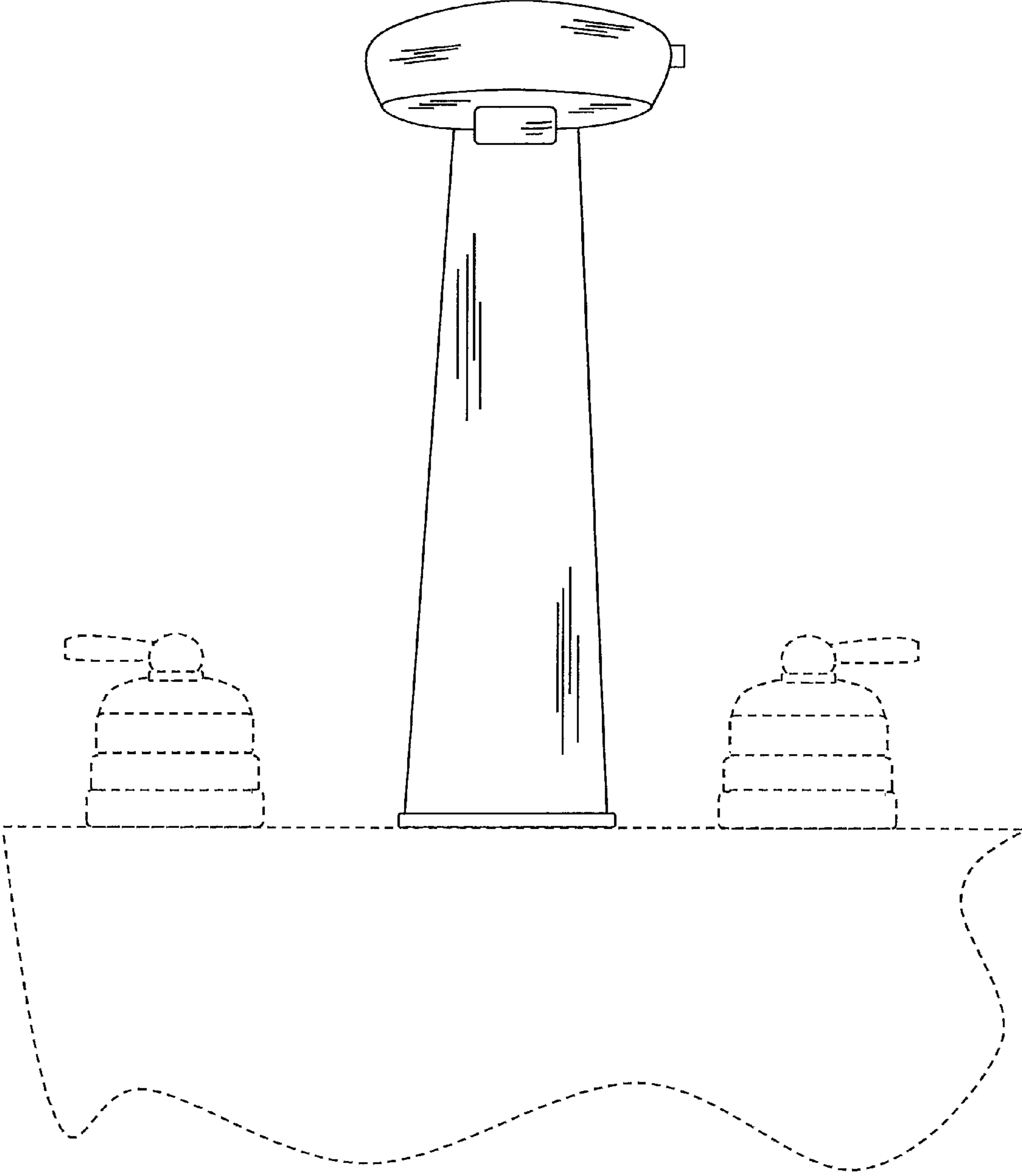


FIG. 5

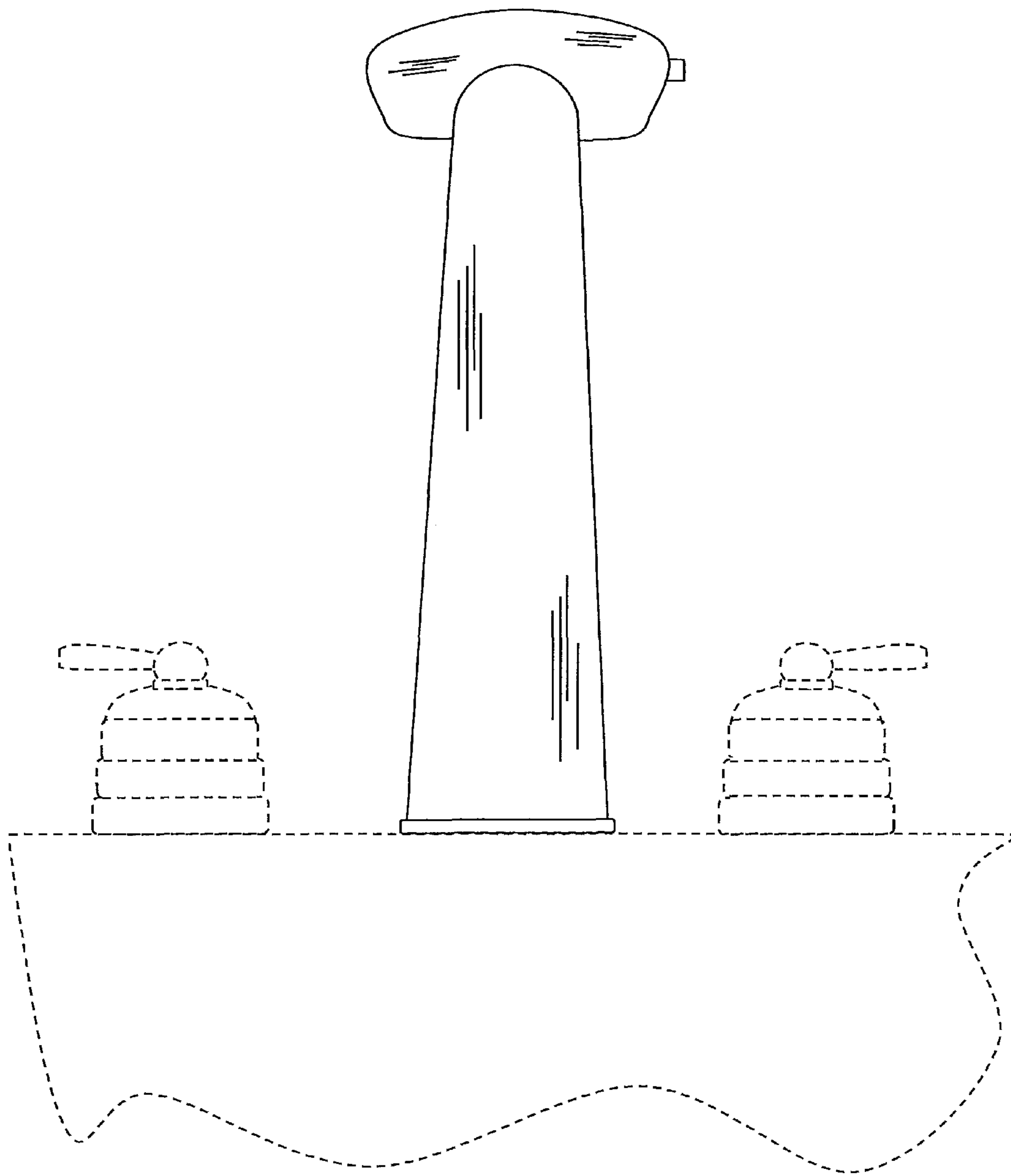


FIG. 6

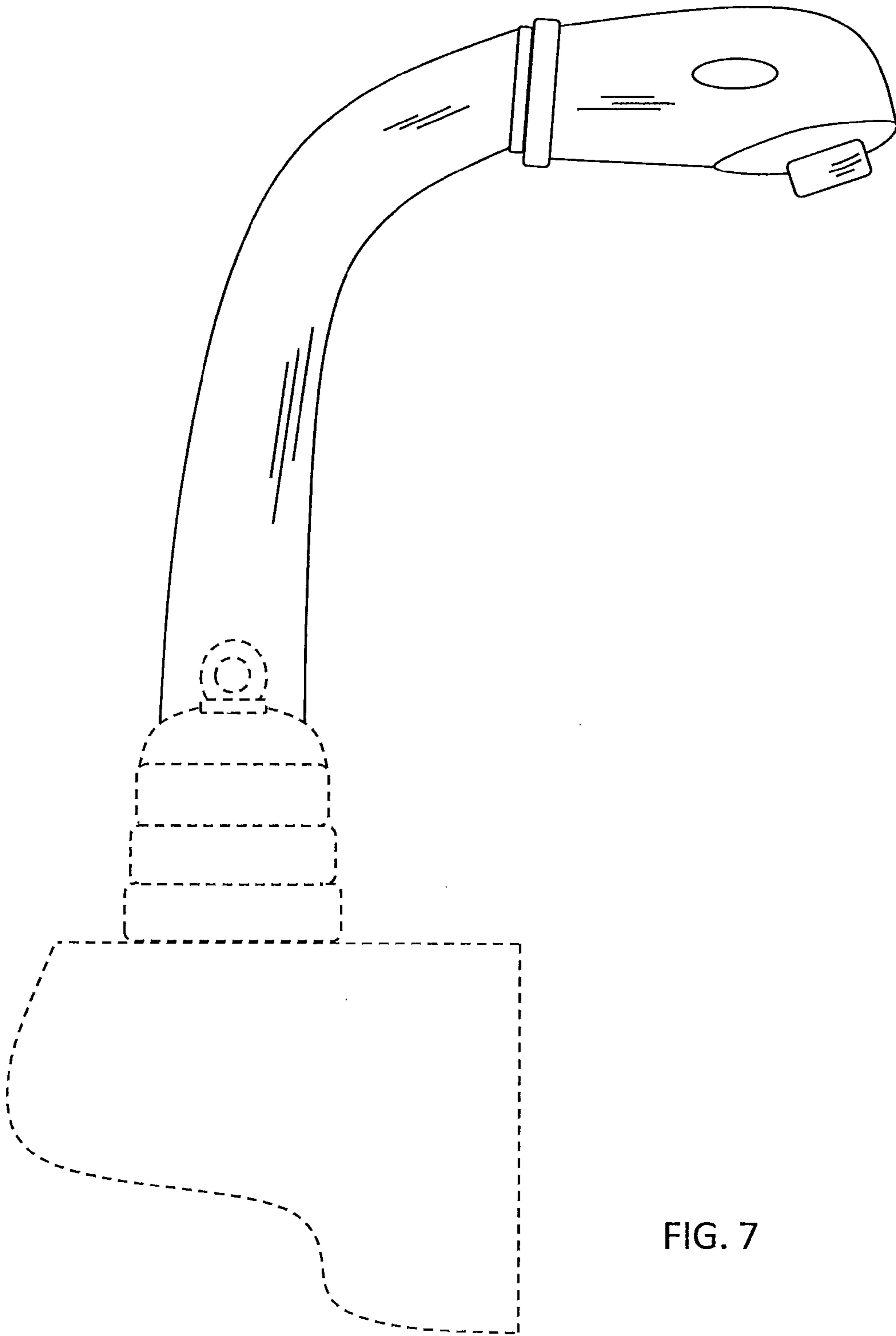


FIG. 7

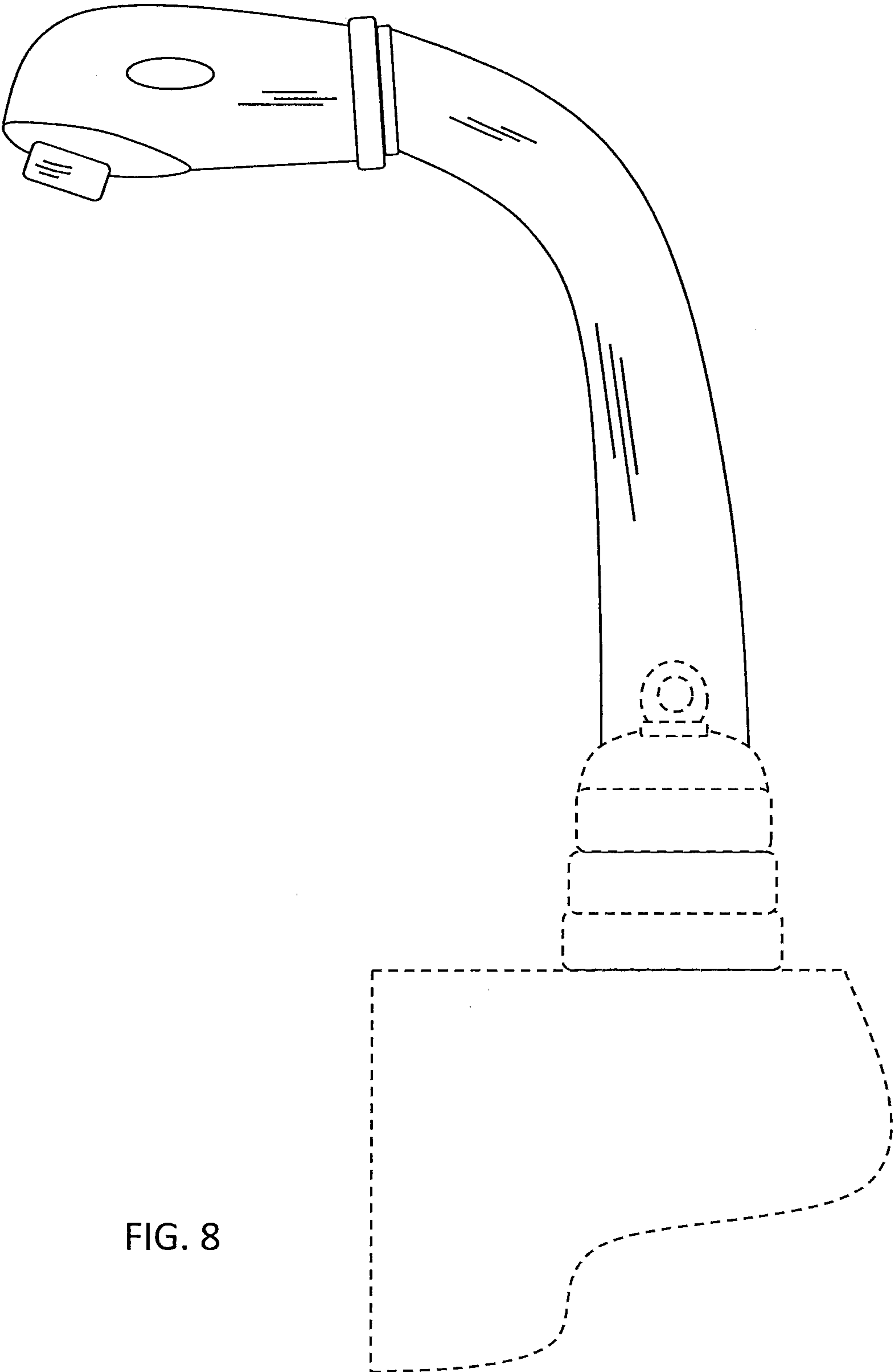


FIG. 8

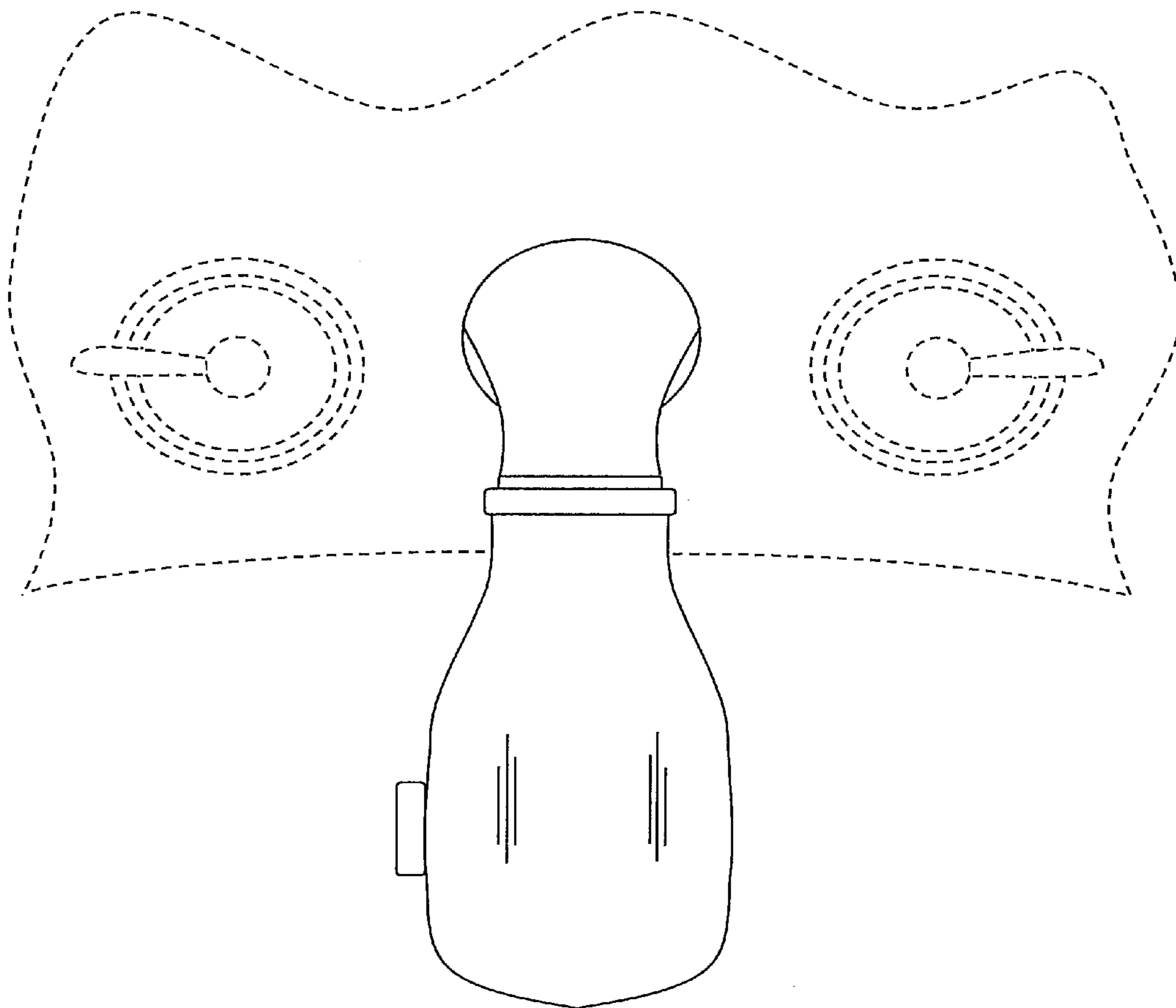


FIG. 9

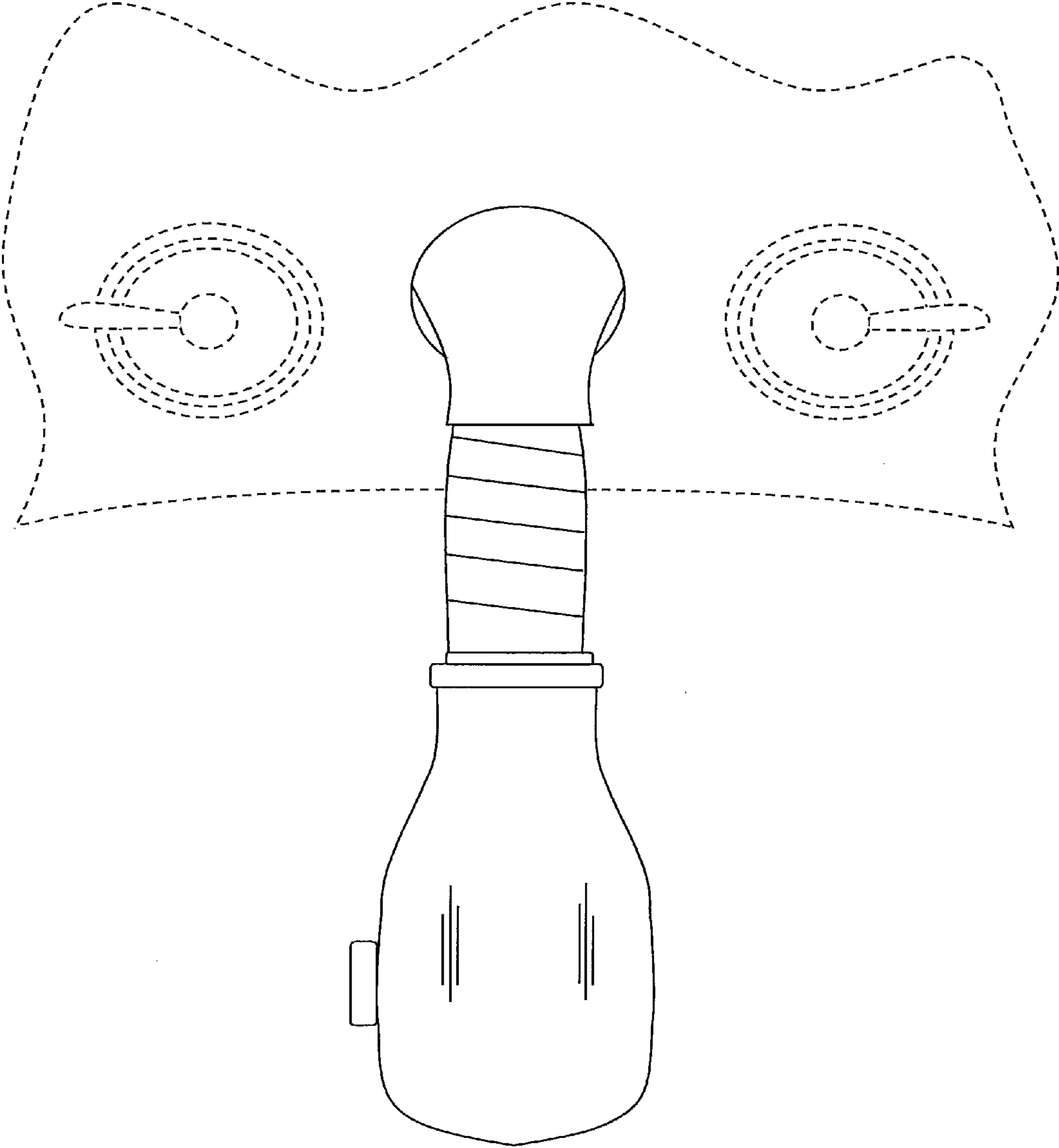


FIG. 10

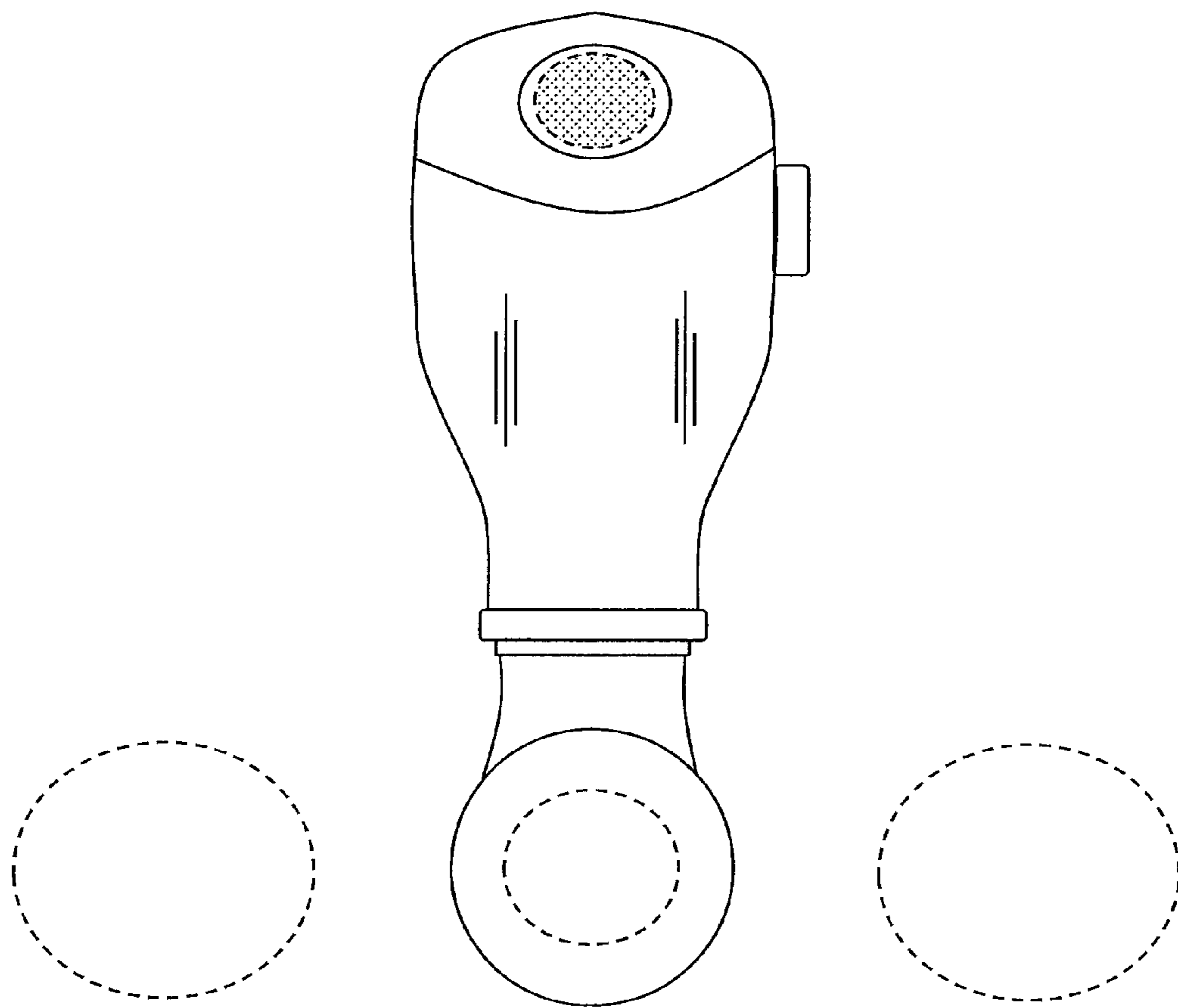


FIG. 11