



US00D720833S

(12) **United States Design Patent**  
**Whitton et al.**

(10) **Patent No.:** **US D720,833 S**  
(45) **Date of Patent:** **\*\* Jan. 6, 2015**

(54) **QUICK RELEASE ASSEMBLY**

(71) Applicant: **Freefly Systems, Inc.**, Redmond, WA (US)

(72) Inventors: **Phillip Whitton**, Redmond, WA (US);  
**Tabb Firchau**, Redmond, WA (US);  
**David Bloomfield**, Redmond, WA (US);  
**Hugh Bell**, Marina del Rey, CA (US)

(73) Assignee: **Freefly Systems, Inc.**, Redmond, WA (US)

(\*\*) Term: **14 Years**

(21) Appl. No.: **29/482,786**

(22) Filed: **Feb. 21, 2014**

(51) **LOC (10) Cl.** ..... **23-01**

(52) **U.S. Cl.**  
USPC ..... **D23/233**

(58) **Field of Classification Search**  
CPC ..... F16K 27/12; F16K 35/10; F16K 11/07;  
F16K 1/2007; F16K 1/2028  
USPC ..... D23/233-250; 251/305, 308, 173, 306,  
251/129.15; 123/337, 399, 403; 29/890.12;  
137/315.07, 15.09  
See application file for complete search history.

(56) **References Cited**

U.S. PATENT DOCUMENTS

5,842,498 A \* 12/1998 Locke et al. .... 137/315.07  
5,979,871 A \* 11/1999 Forbes et al. .... 251/305  
6,123,318 A \* 9/2000 Forbes et al. .... 251/173

(Continued)

*Primary Examiner* — Cynthia Ramirez

*Assistant Examiner* — Gino Colan

(74) *Attorney, Agent, or Firm* — Saliwanchik, Lloyd & Eisenschenk, P.A.

(57) **CLAIM**

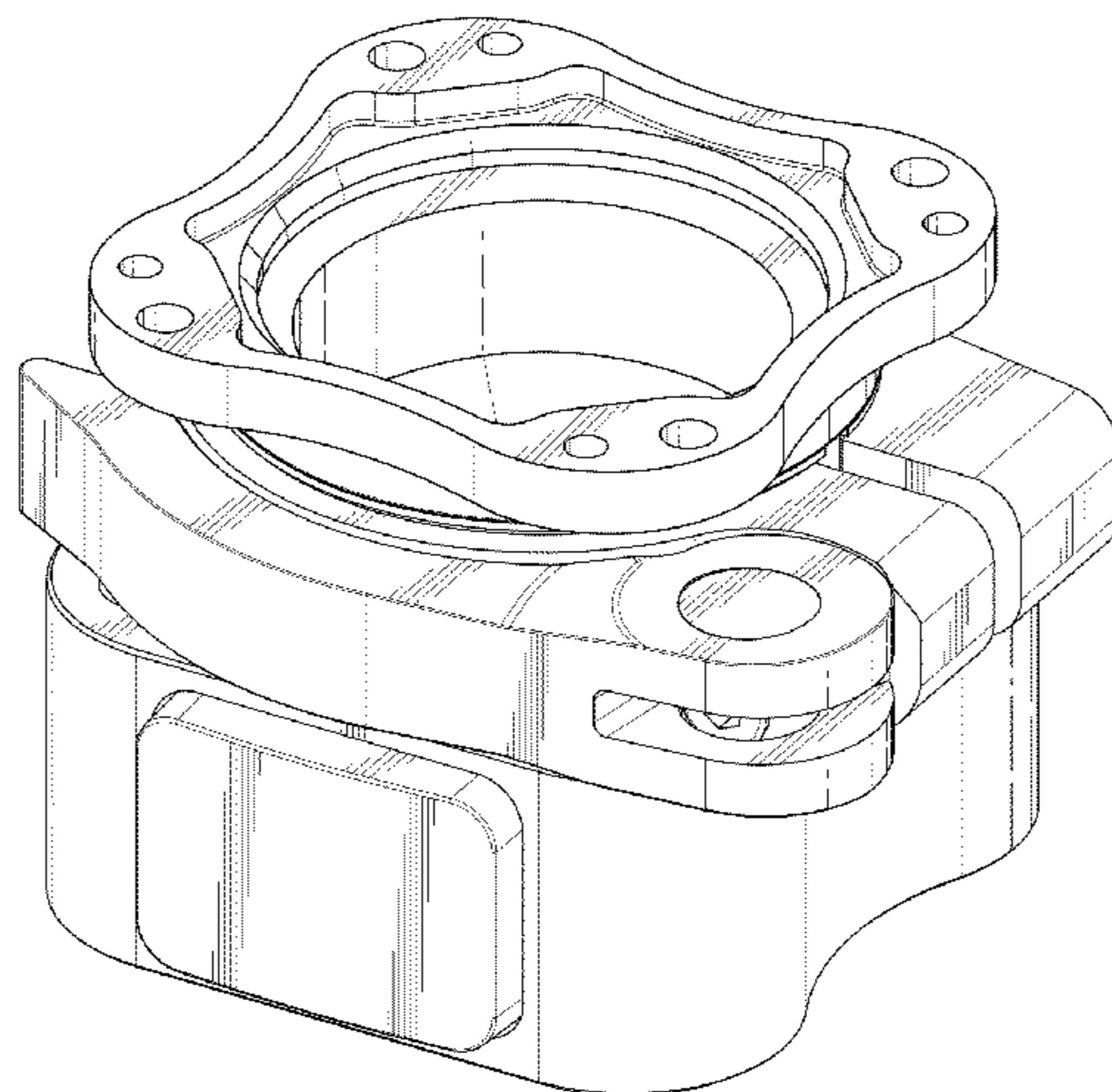
The ornamental design for a quick release assembly, as shown and described.

**DESCRIPTION**

FIG. 1 is a front, left side, perspective view of a quick release assembly, showing our new design;  
FIG. 2 is a front elevation view thereof;  
FIG. 3 is a rear elevation view thereof;  
FIG. 4 is a left side elevation view thereof;  
FIG. 5 is a right side elevation view thereof;  
FIG. 6 is a top plan view thereof;  
FIG. 7 is a bottom plan view thereof;  
FIG. 8 is an exploded view of the quick release assembly of FIG. 1;  
FIG. 9 is a front, left side, perspective view of an Assembly Receiver, with handle in closed position, for an assembly such as the quick release assembly of FIG. 1;  
FIG. 10 is a front elevation view thereof;  
FIG. 11 is a rear elevation view thereof;  
FIG. 12 is a left side elevation view thereof;  
FIG. 13 is right side elevation view thereof;  
FIG. 14 is a top plan view thereof;  
FIG. 15 is a bottom plan view thereof;  
FIG. 16 is a front, left side, perspective view of the Assembly Receiver of FIG. 9, with handle in open position;  
FIG. 17 is a front elevation view thereof;  
FIG. 18 is a rear elevation view thereof;  
FIG. 19 is a top plan view thereof;  
FIG. 20 is a front, left side, top perspective view of an Assembly Plug for an assembly such as the quick release assembly of FIG. 1;  
FIG. 21 is a front, left side, bottom perspective view thereof;  
FIG. 22 is a front elevation view thereof;  
FIG. 23 is a rear elevation view thereof;  
FIG. 24 is a top plan view thereof; and,  
FIG. 25 is a bottom plan view thereof.

The receiver and the plug elements of the claimed design are being shown separated in FIGS. 9 through 25 for convenience of illustration.

**1 Claim, 14 Drawing Sheets**



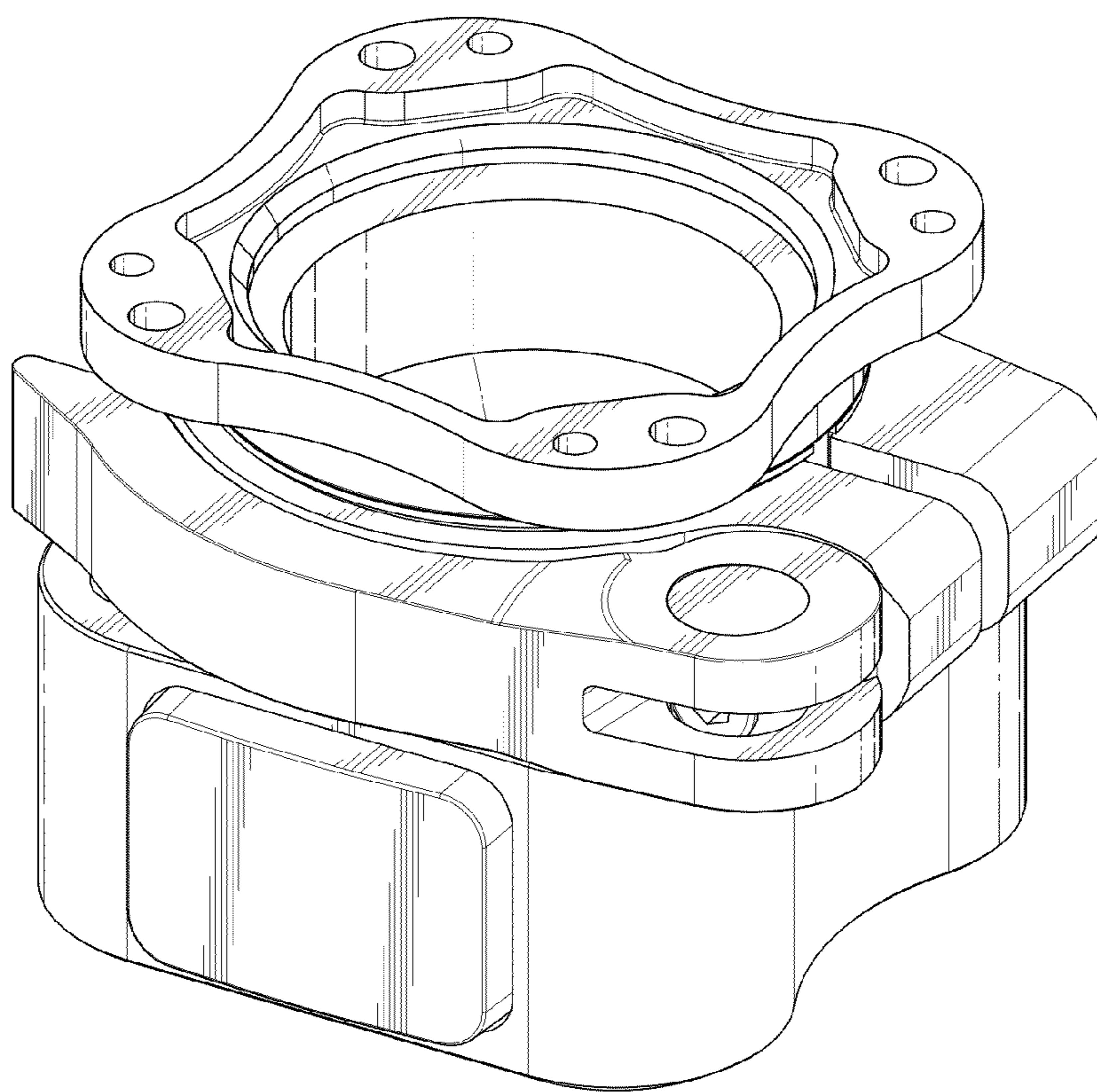
(56)

**References Cited**

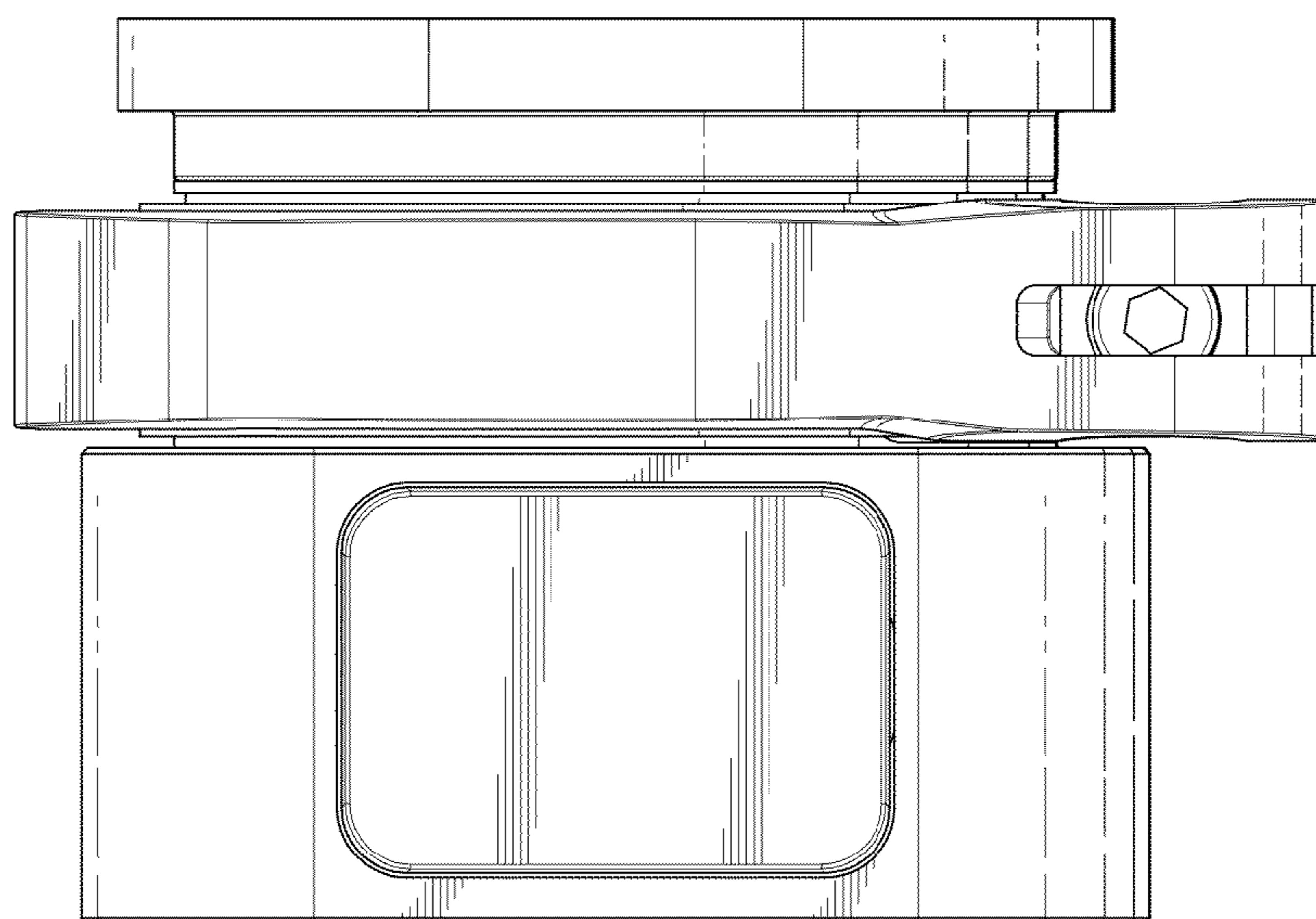
U.S. PATENT DOCUMENTS

6,422,258	B1 *	7/2002	DuHack et al. ....	137/15.09	7,111,609	B2 *	9/2006	Tanimura et al. ....	123/337
6,491,020	B2 *	12/2002	Kotchi et al. ....	123/337	7,469,677	B2 *	12/2008	Hannewald et al. ....	123/403
6,508,455	B2 *	1/2003	Rauch et al. ....	251/305	D678,478	S *	3/2013	Thielbar .....	D23/248
6,769,308	B1 *	8/2004	Pitzer .....	73/715	8,657,255	B2 *	2/2014	Goodman et al. ....	251/146
7,069,902	B2 *	7/2006	Arai et al. ....	123/337	2005/0263131	A1 *	12/2005	Tanimura et al. ....	123/337
					2011/0309277	A1 *	12/2011	Christensen .....	251/129.15
					2013/0181154	A1 *	7/2013	Robison et al. ....	251/324
					2014/0246617	A1 *	9/2014	Diel .....	251/305

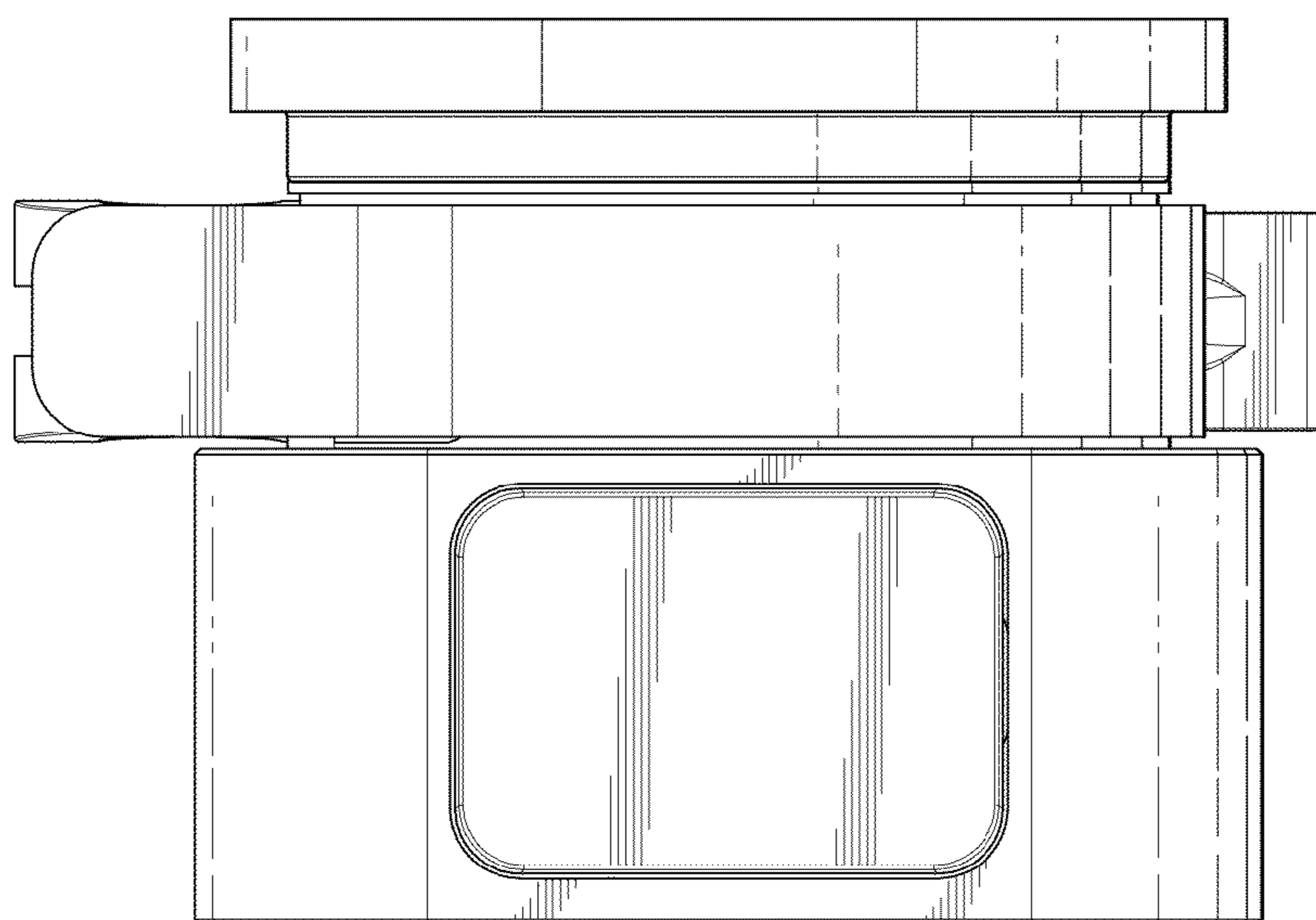
\* cited by examiner



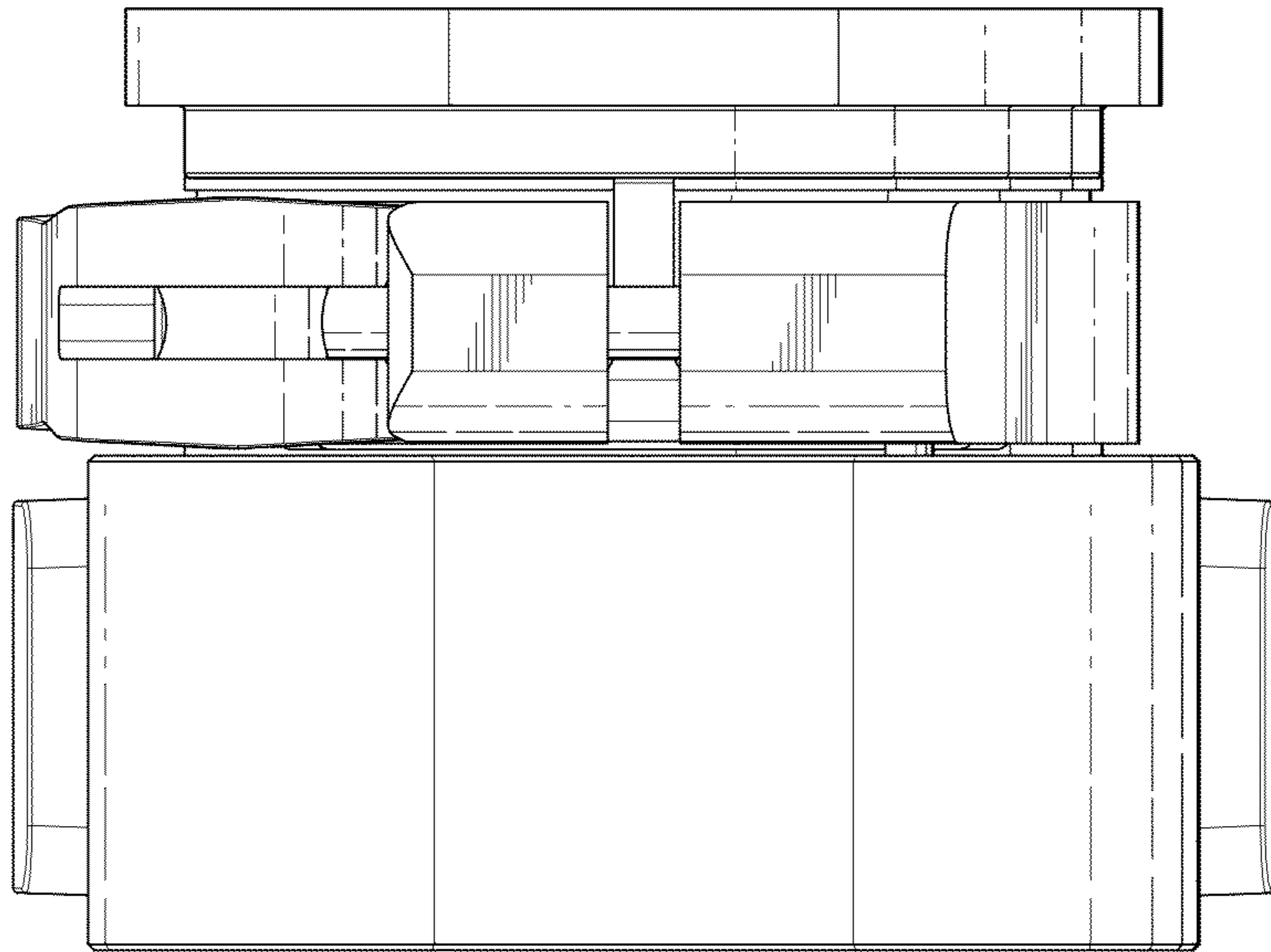
*FIG. 1*



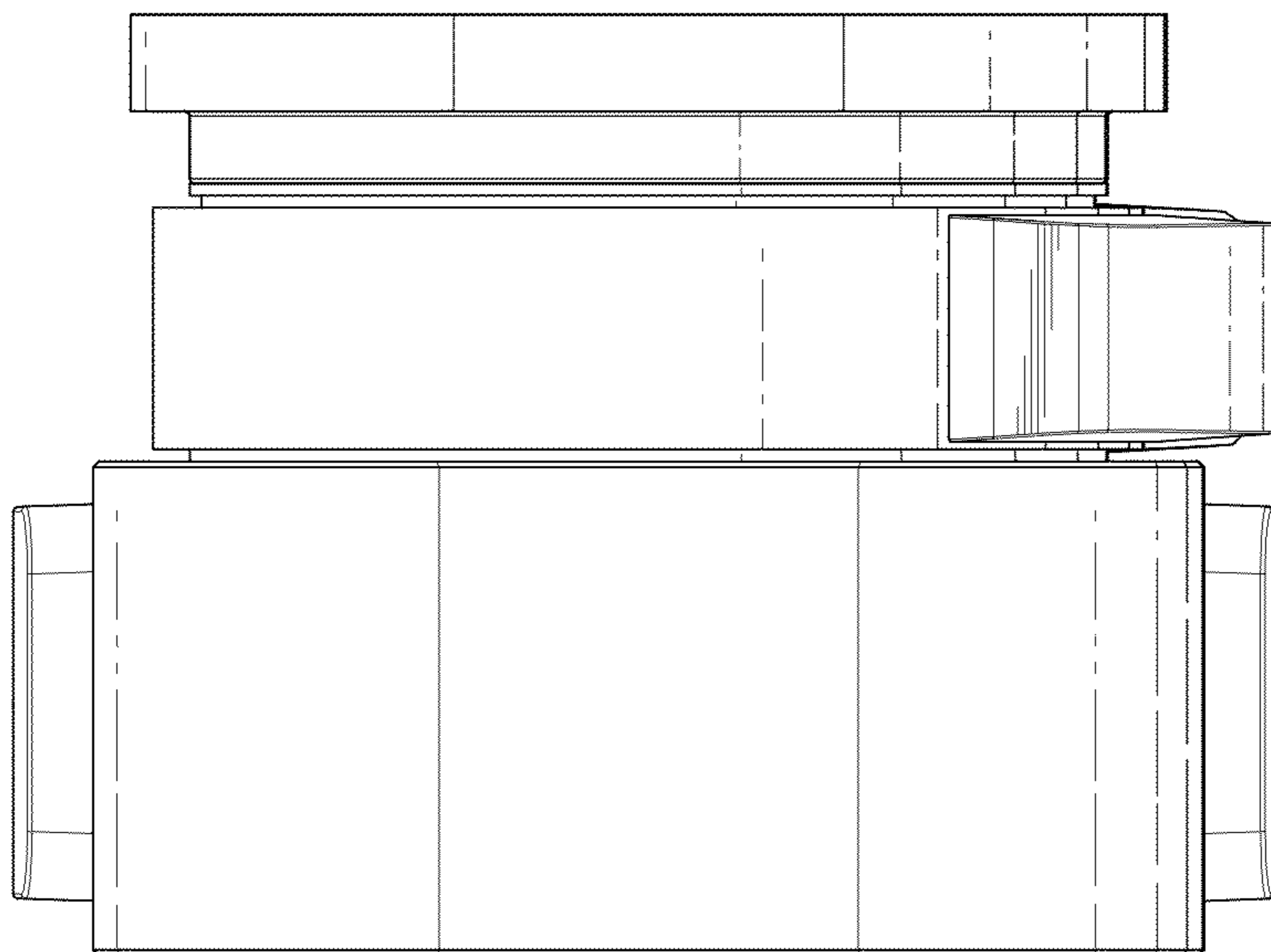
*FIG. 2*



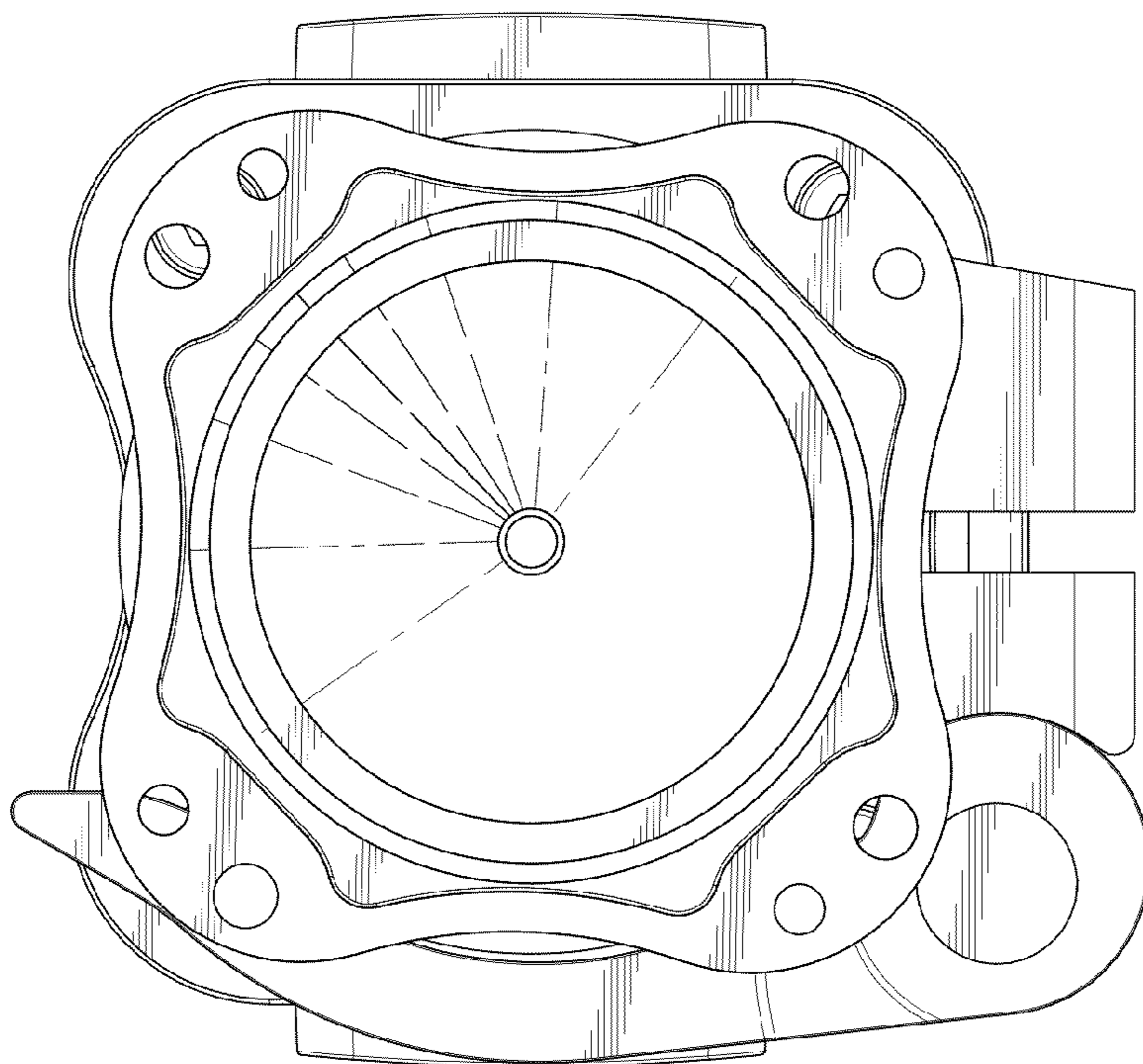
*FIG. 3*



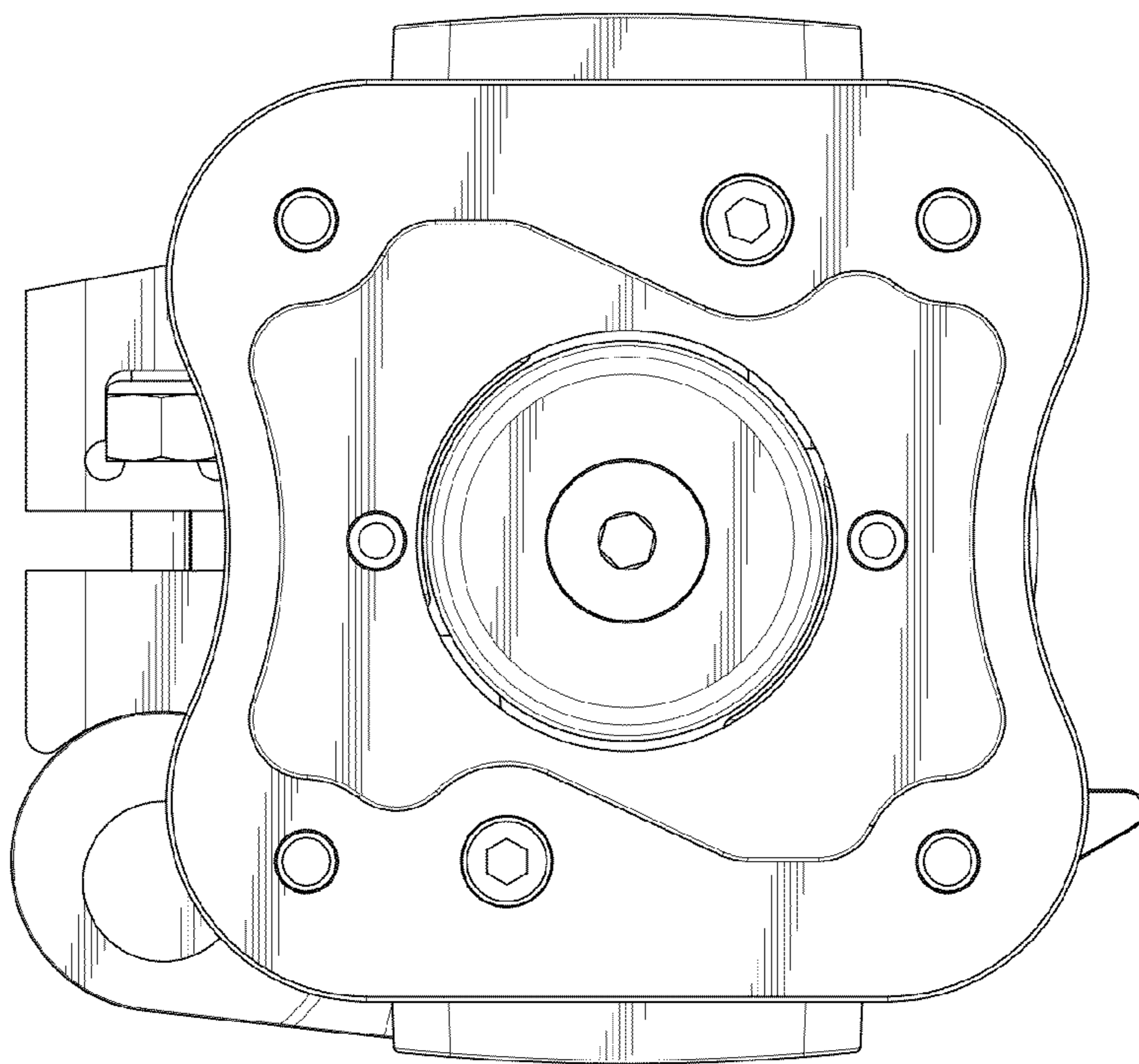
*FIG. 4*



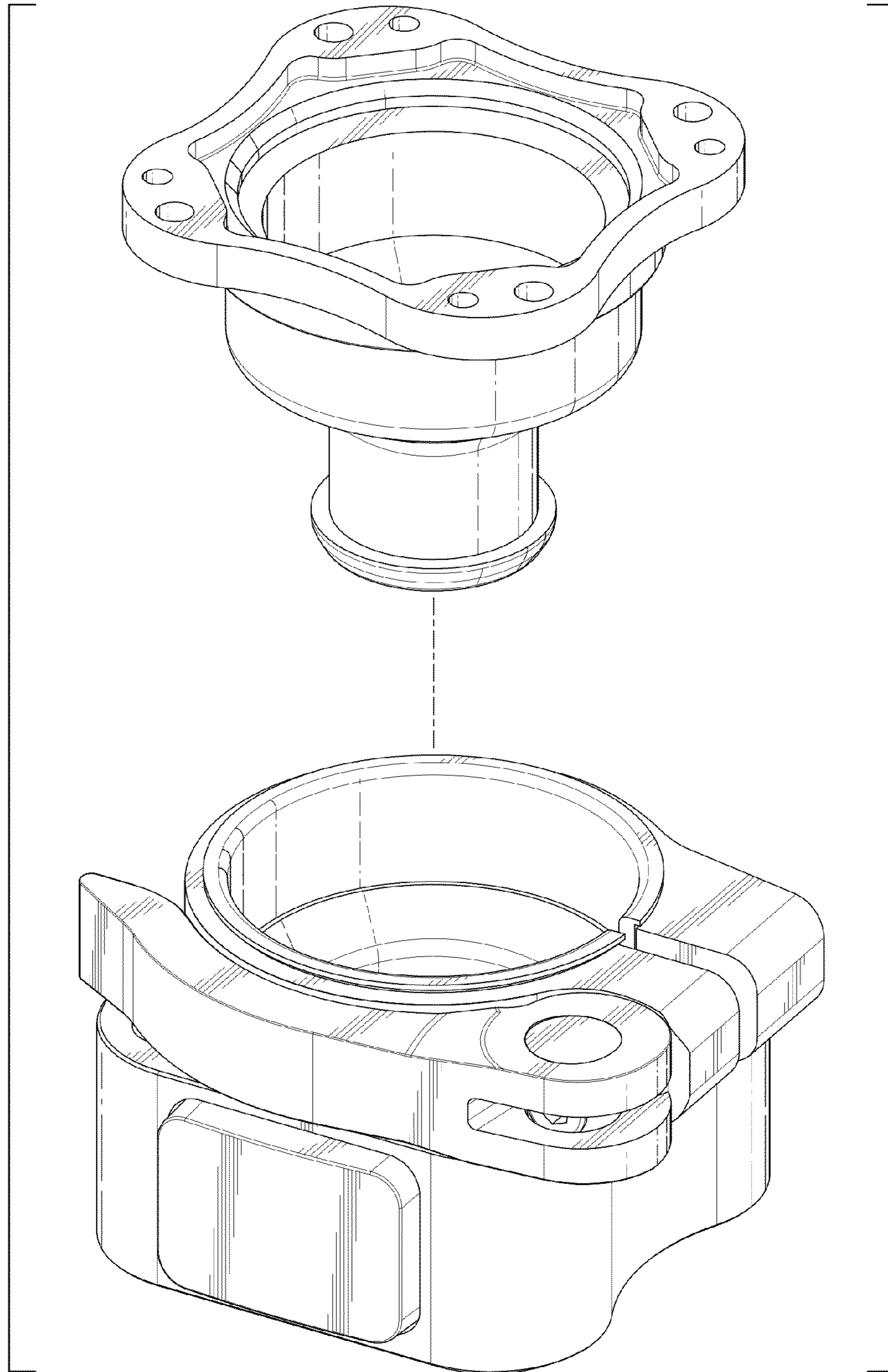
*FIG. 5*



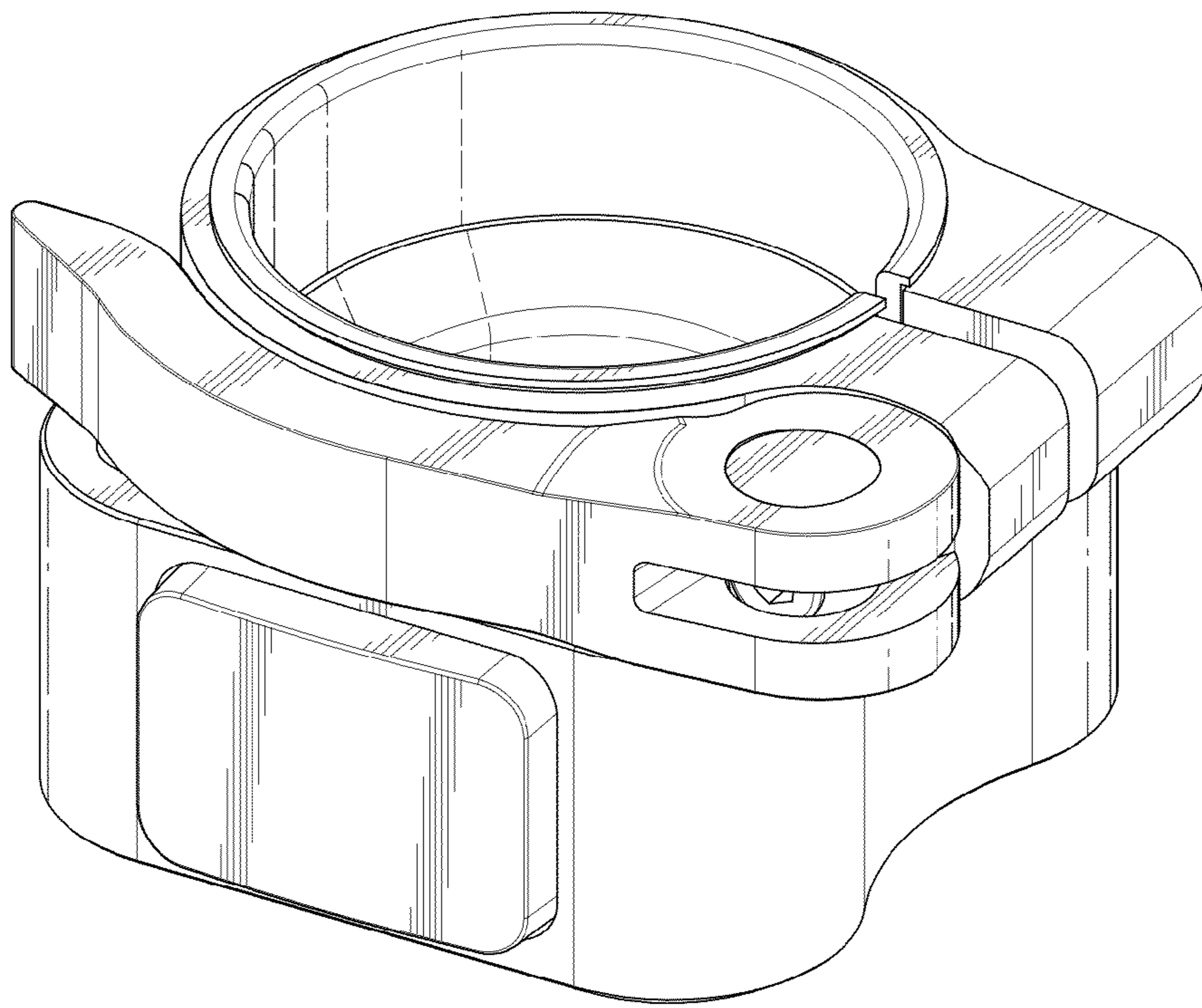
*FIG. 6*



*FIG. 7*

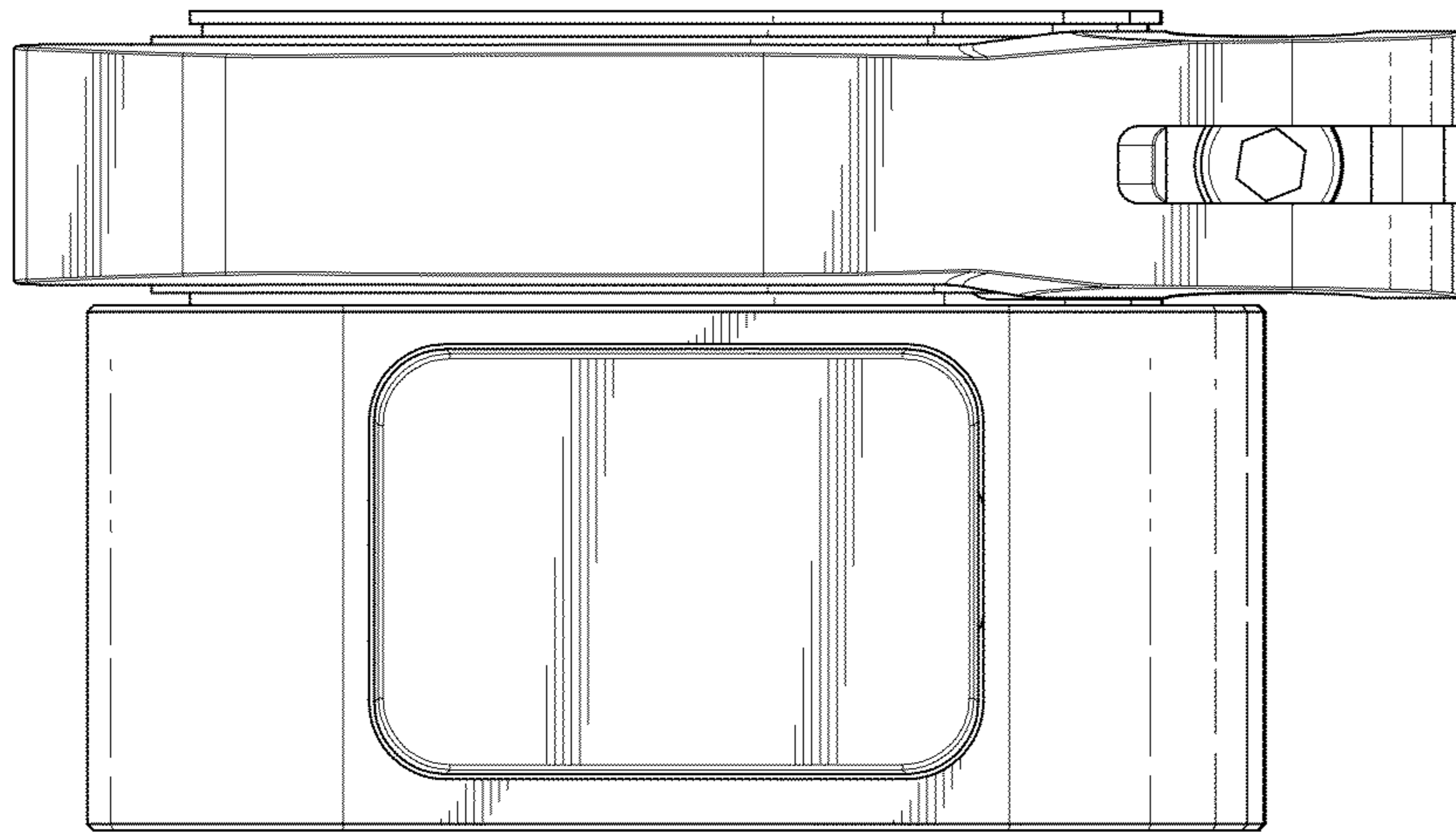


**FIG. 8**

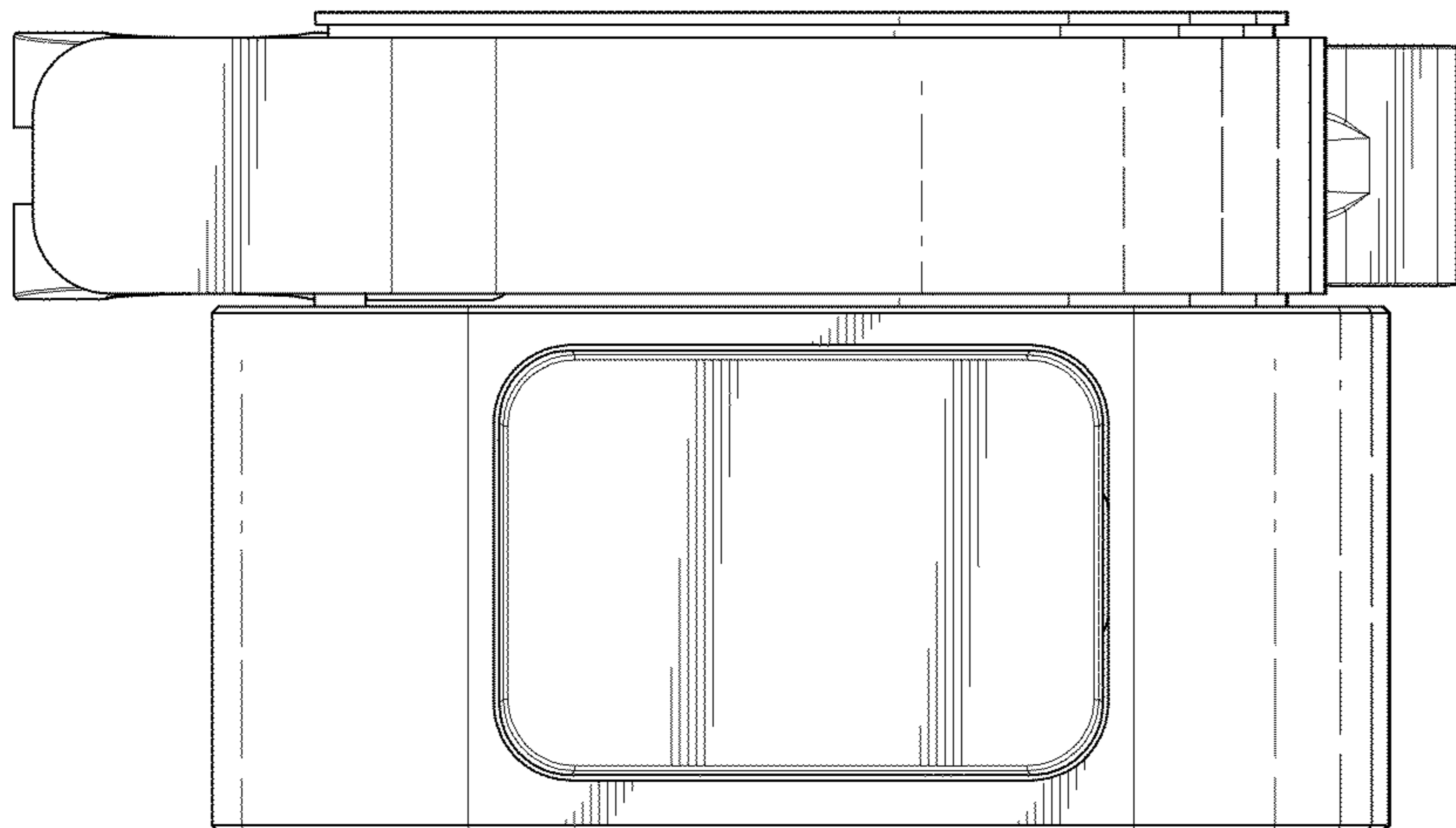


**FIG. 9**

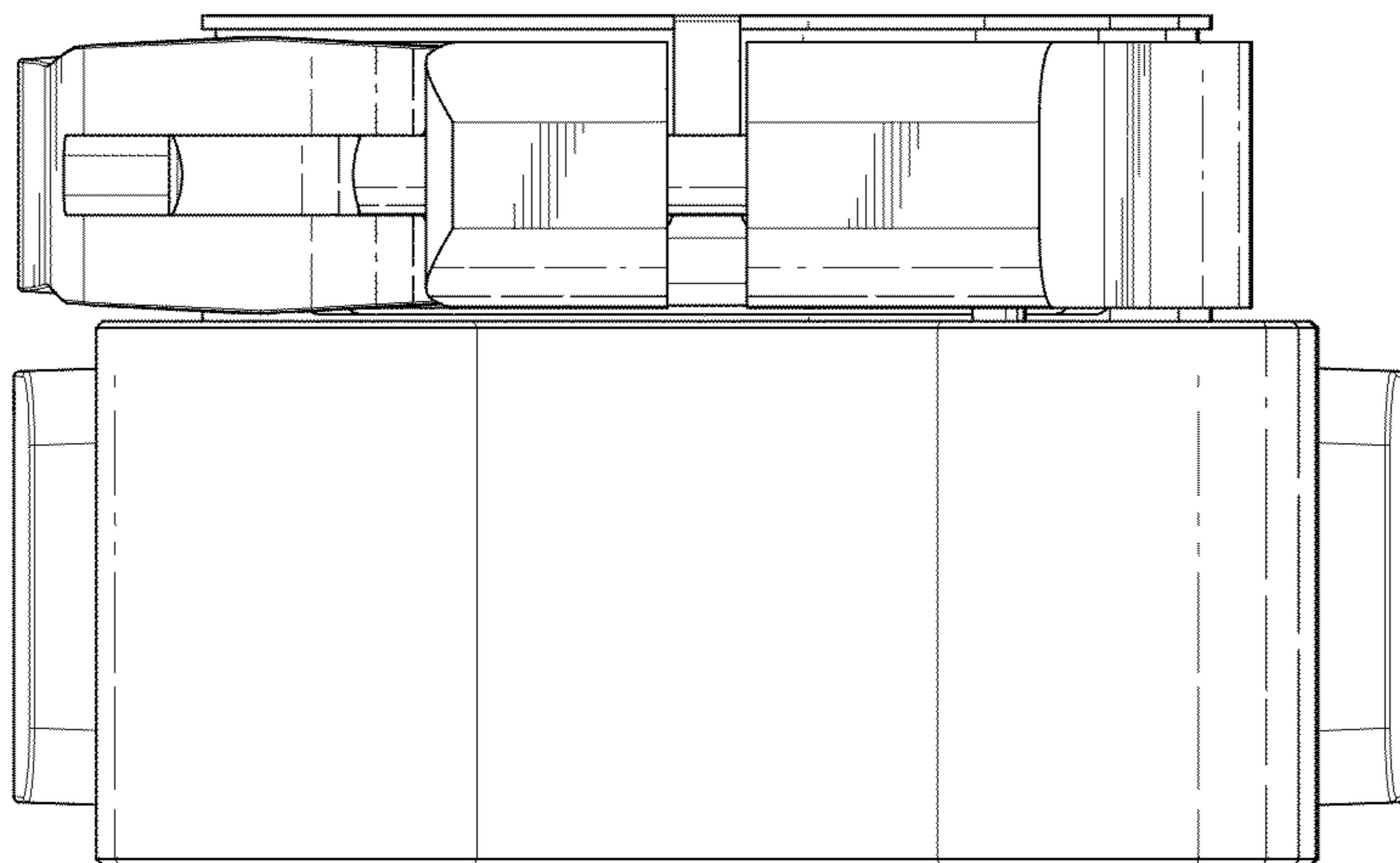




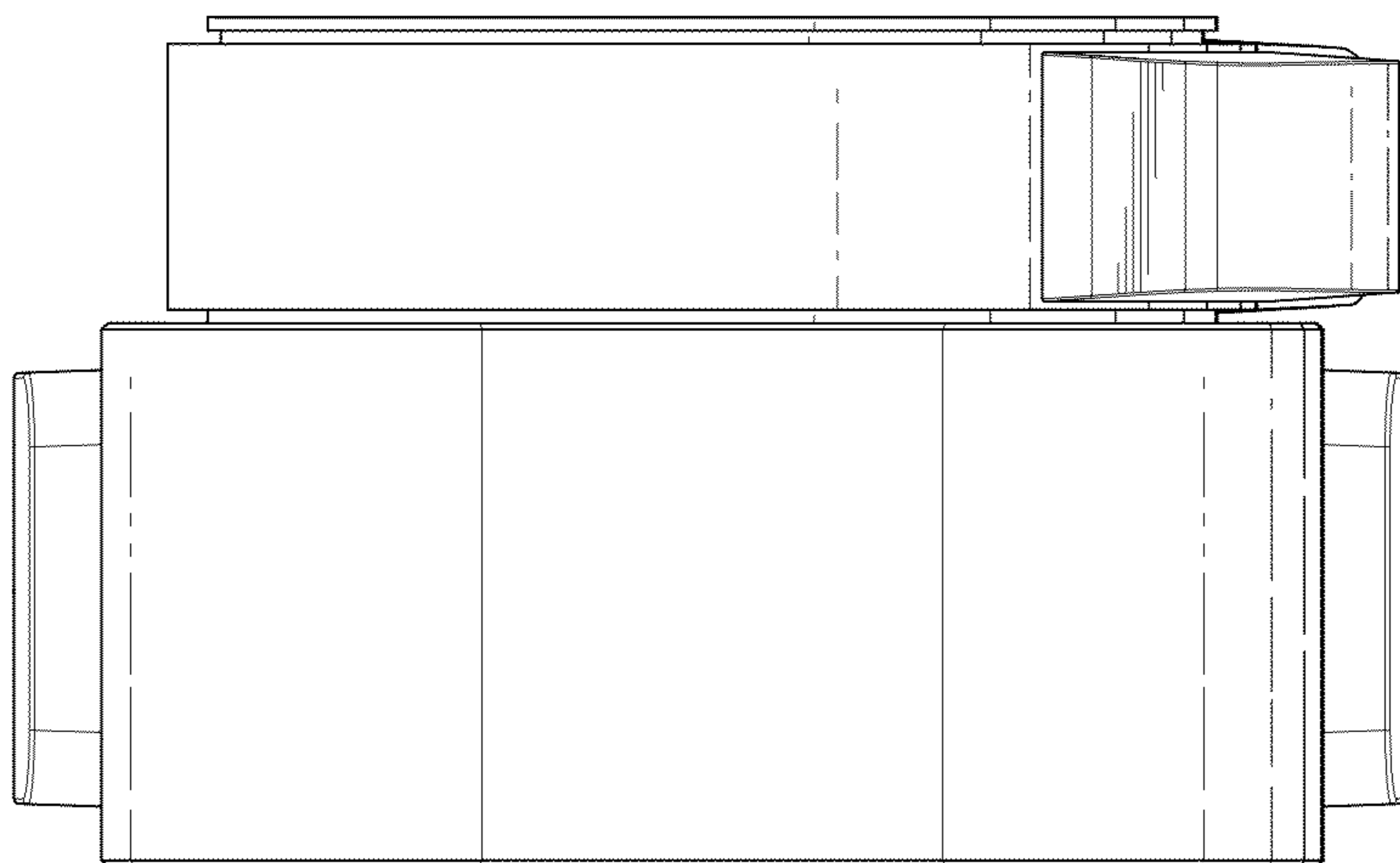
*FIG. 10*



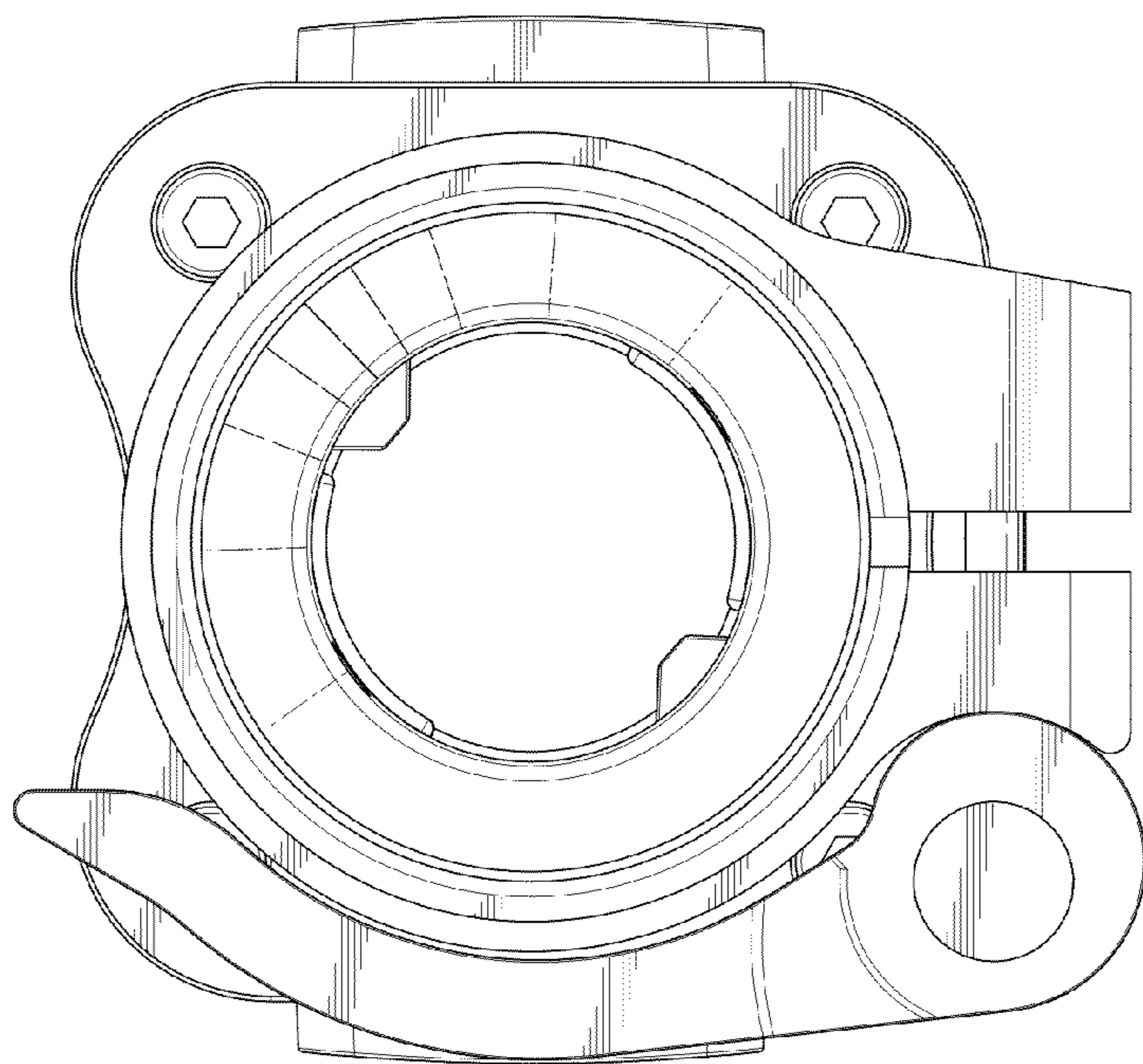
*FIG. 11*



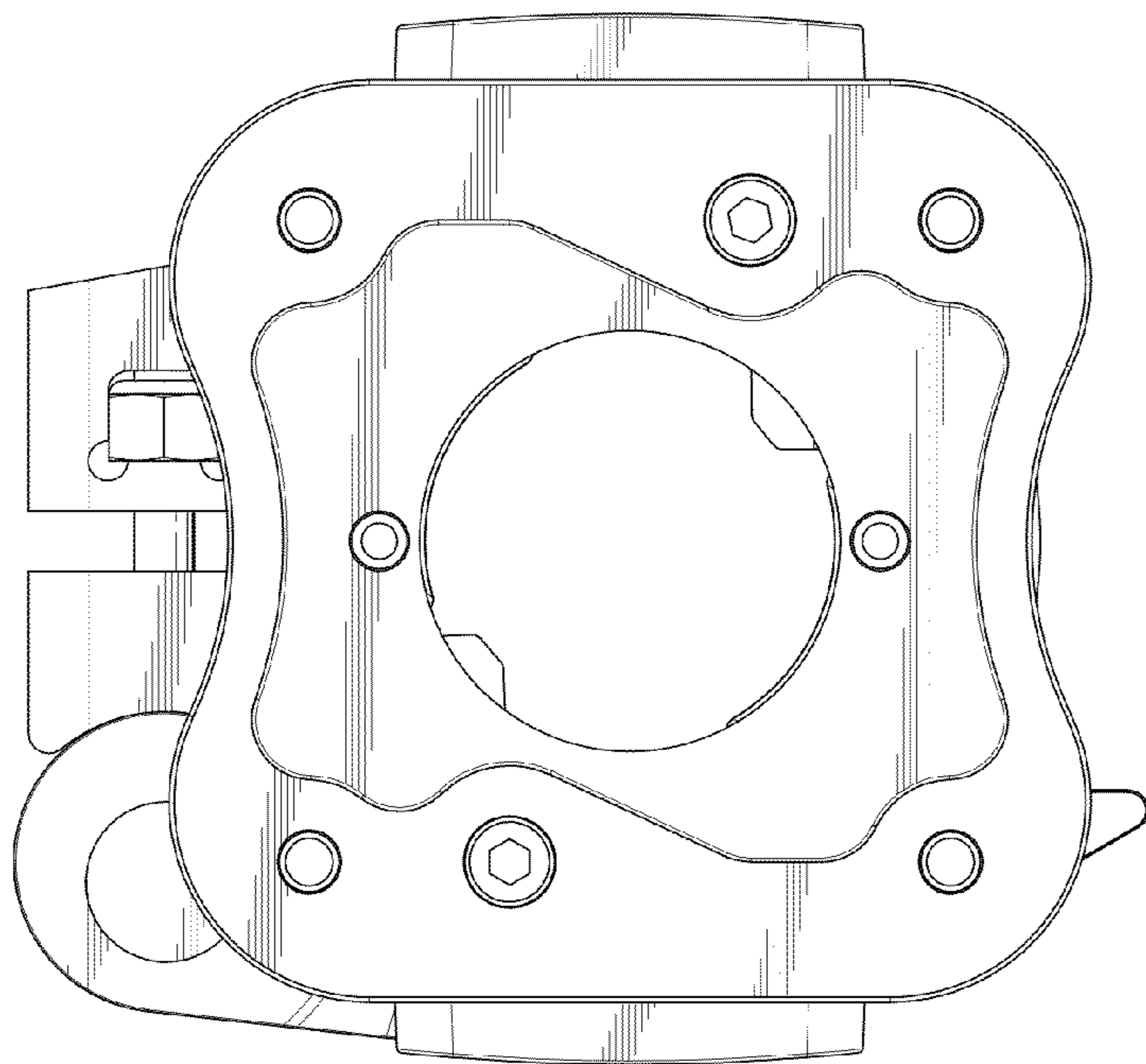
*FIG. 12*



*FIG. 13*



*FIG. 14*



*FIG. 15*

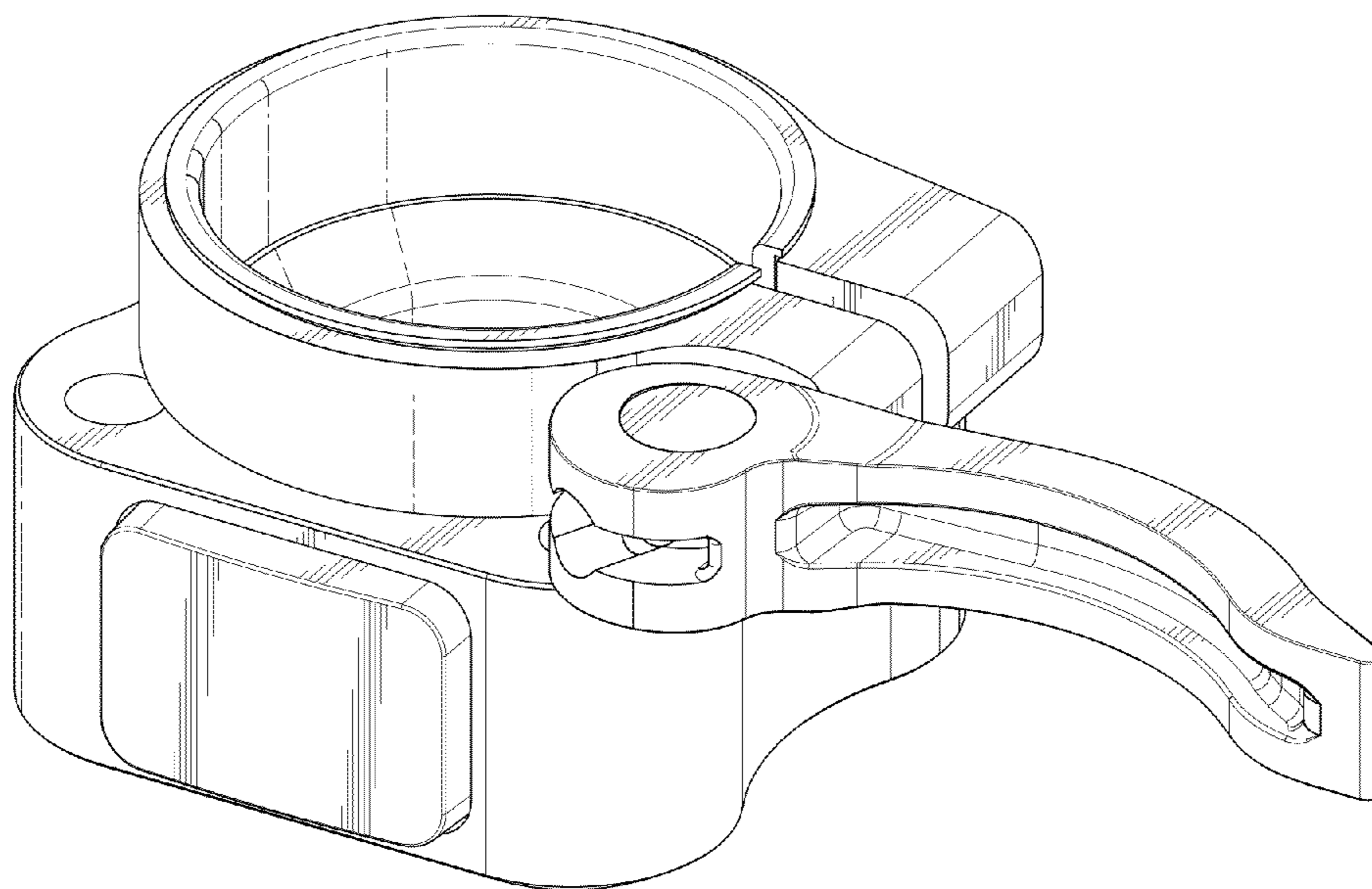


FIG. 16

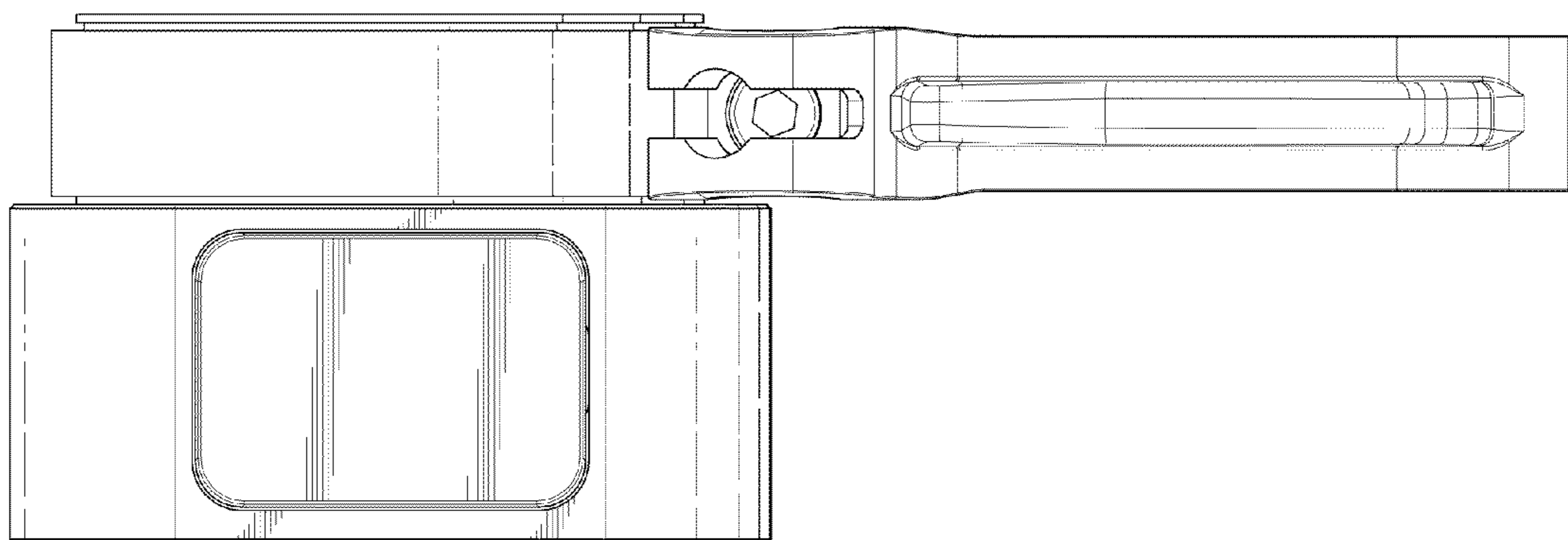
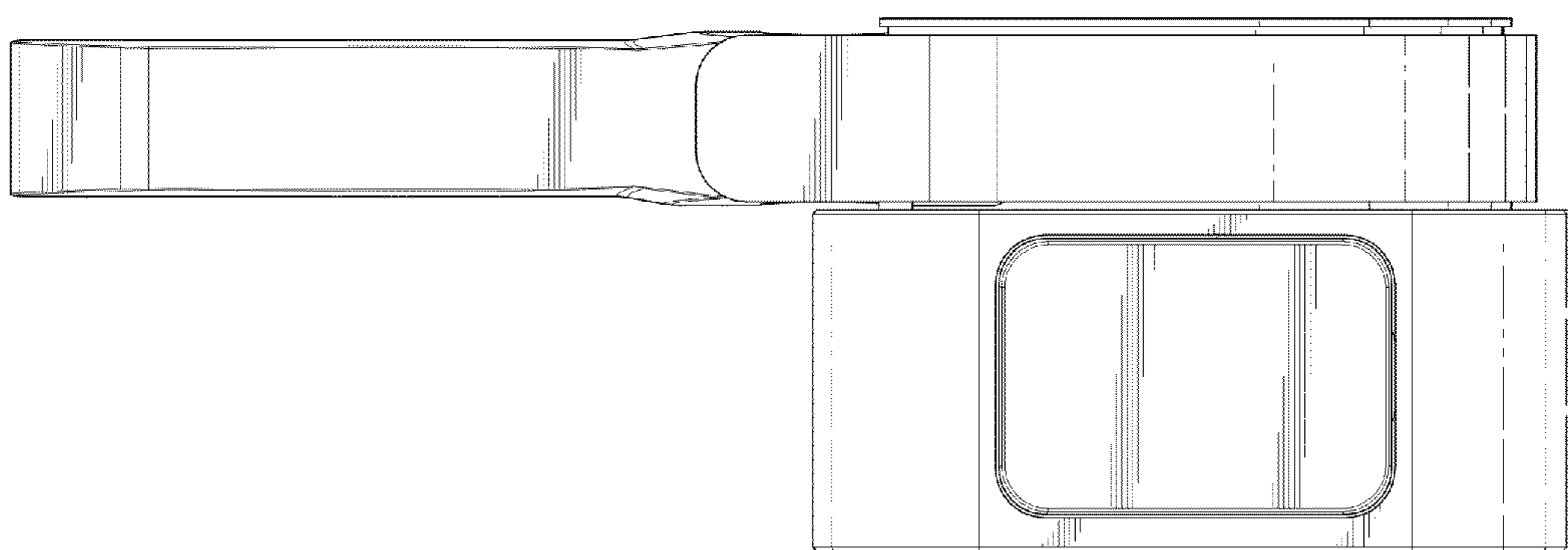
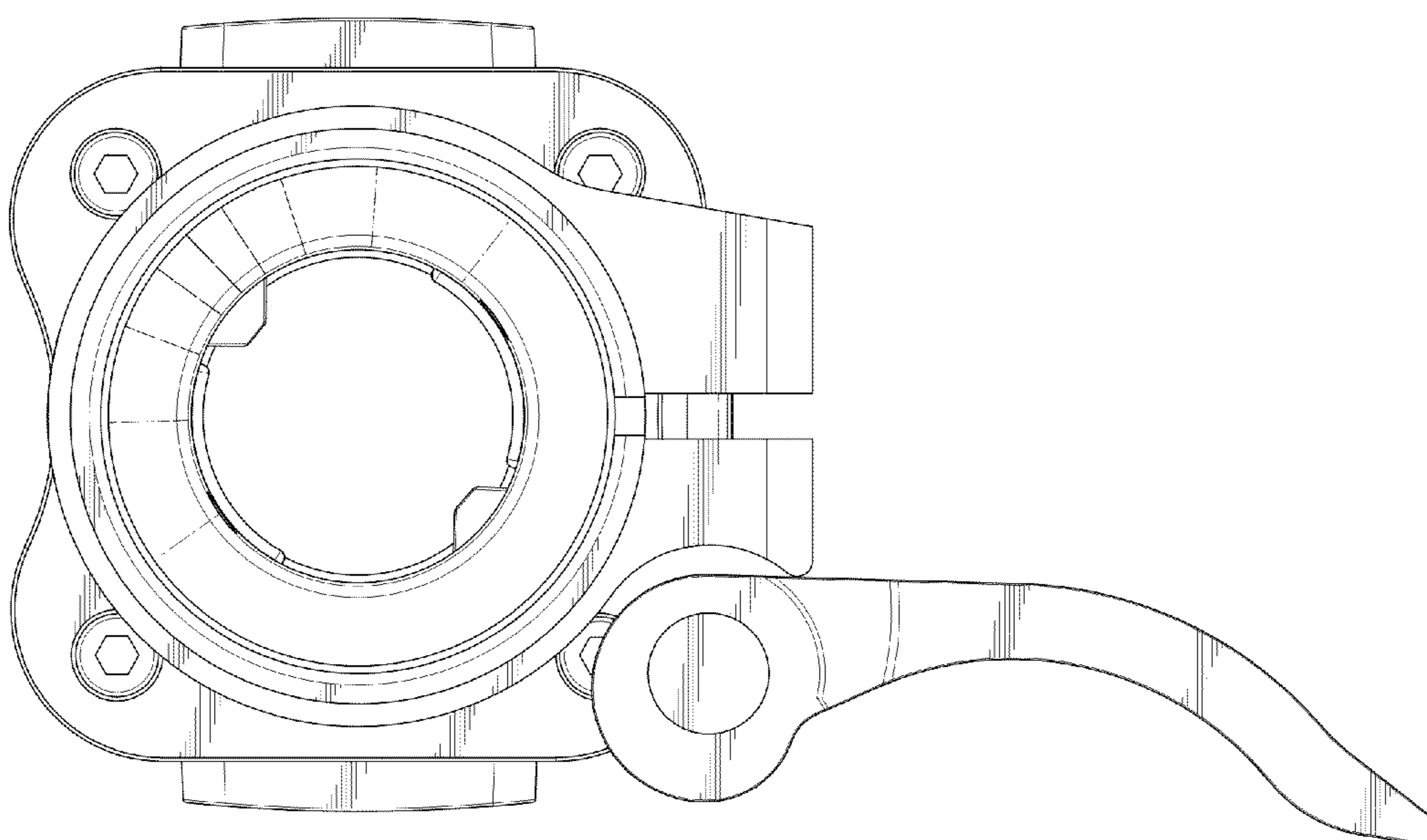


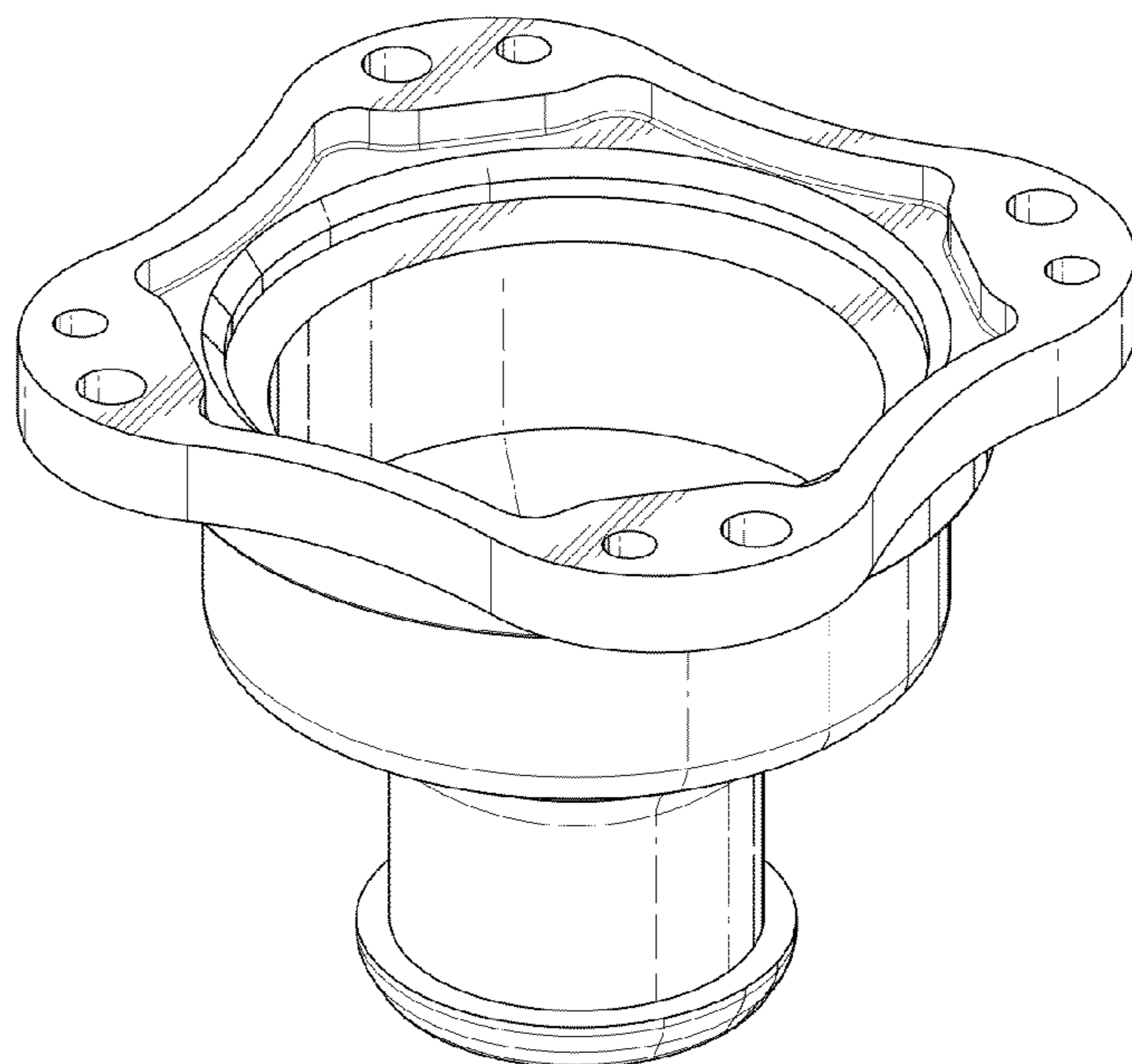
FIG. 17



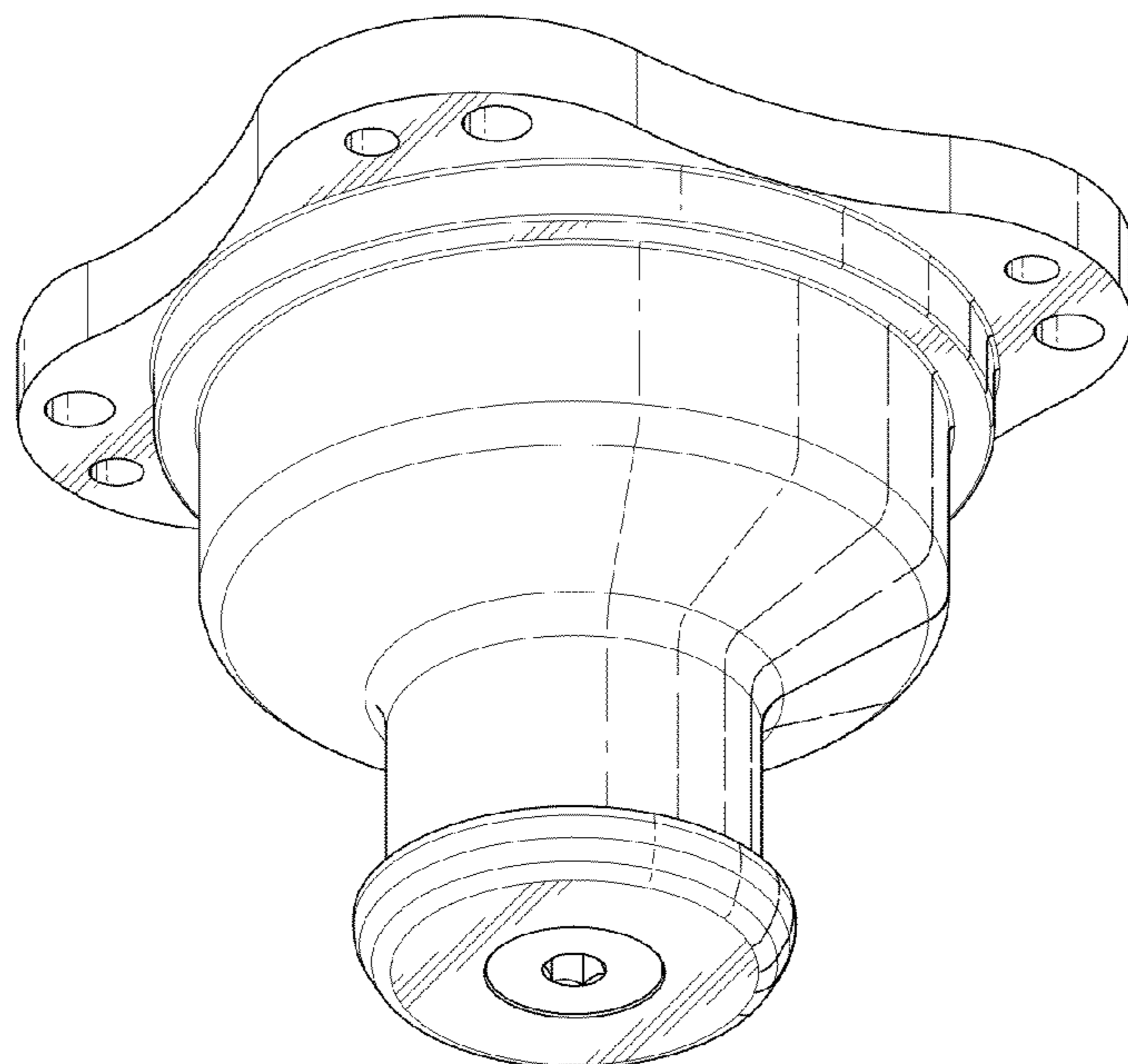
*FIG. 18*



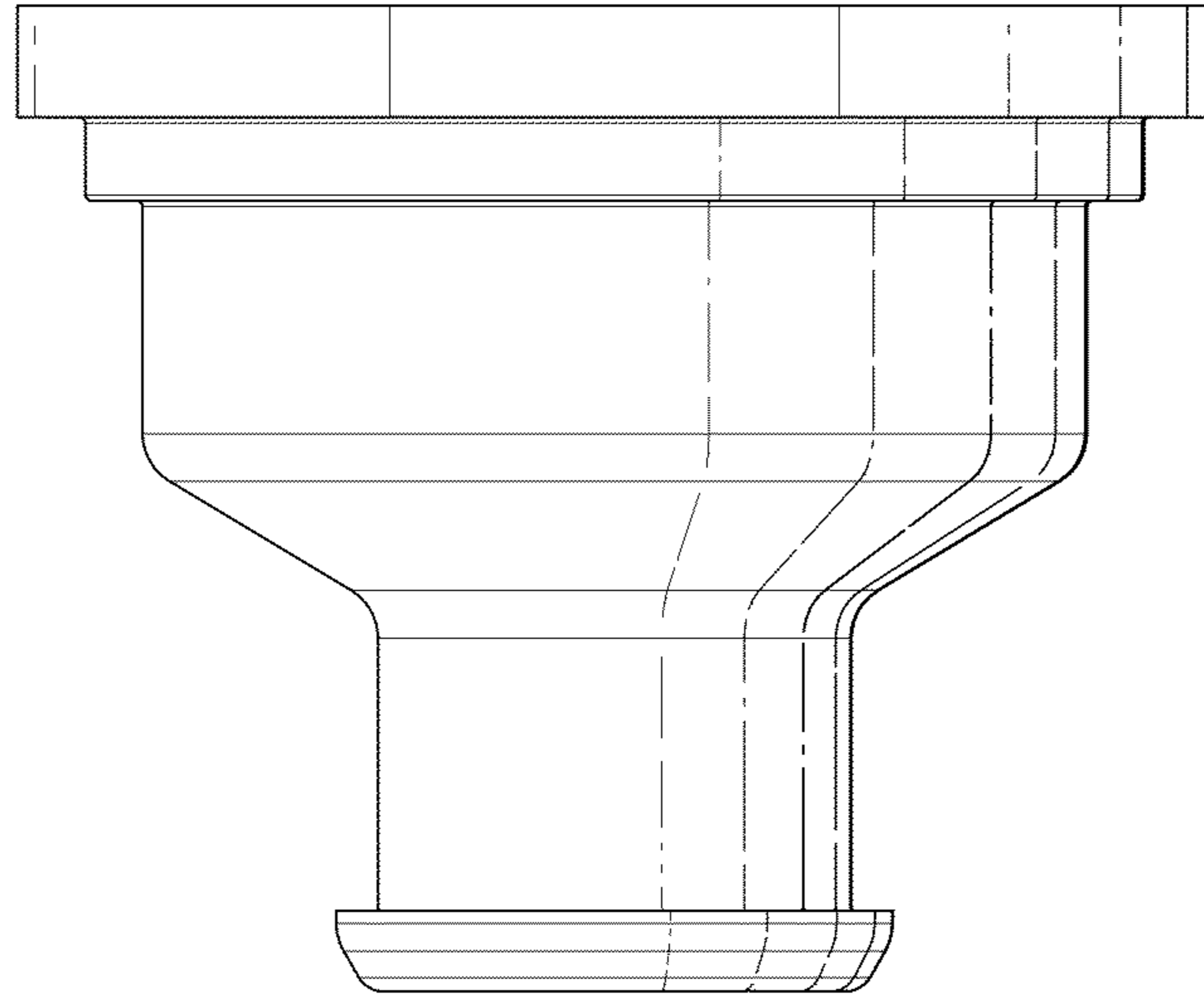
*FIG. 19*



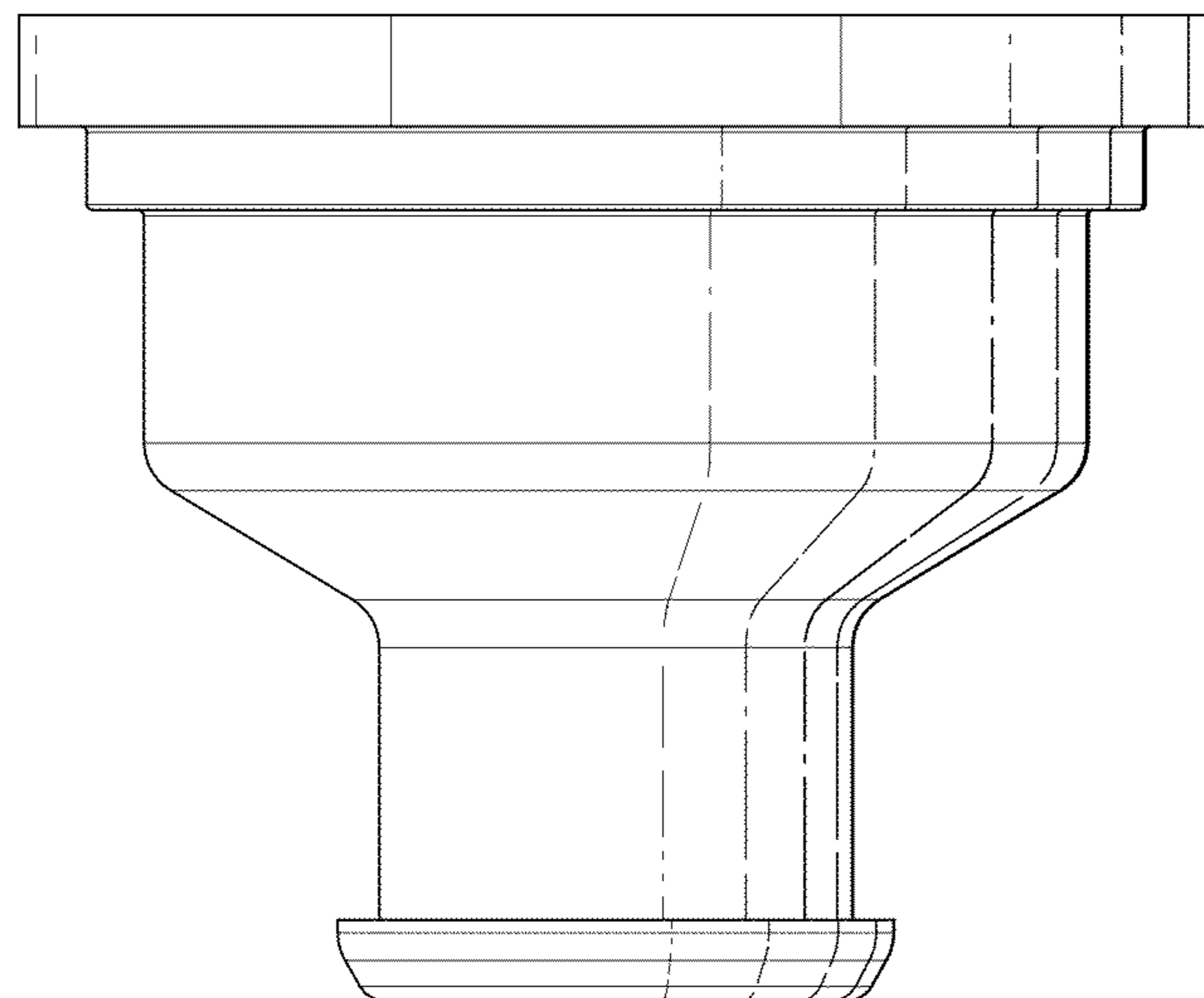
*FIG. 20*



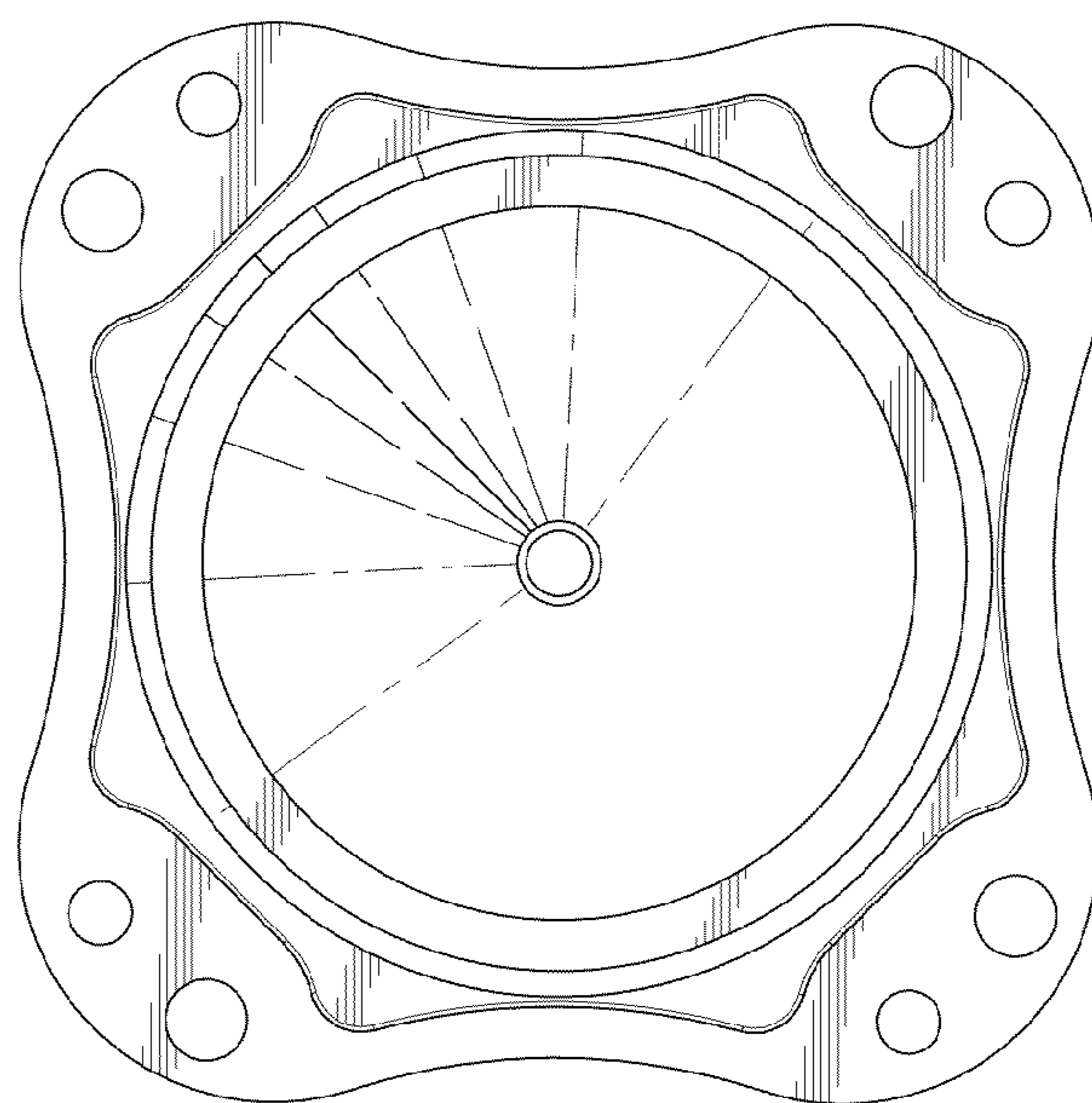
*FIG. 21*



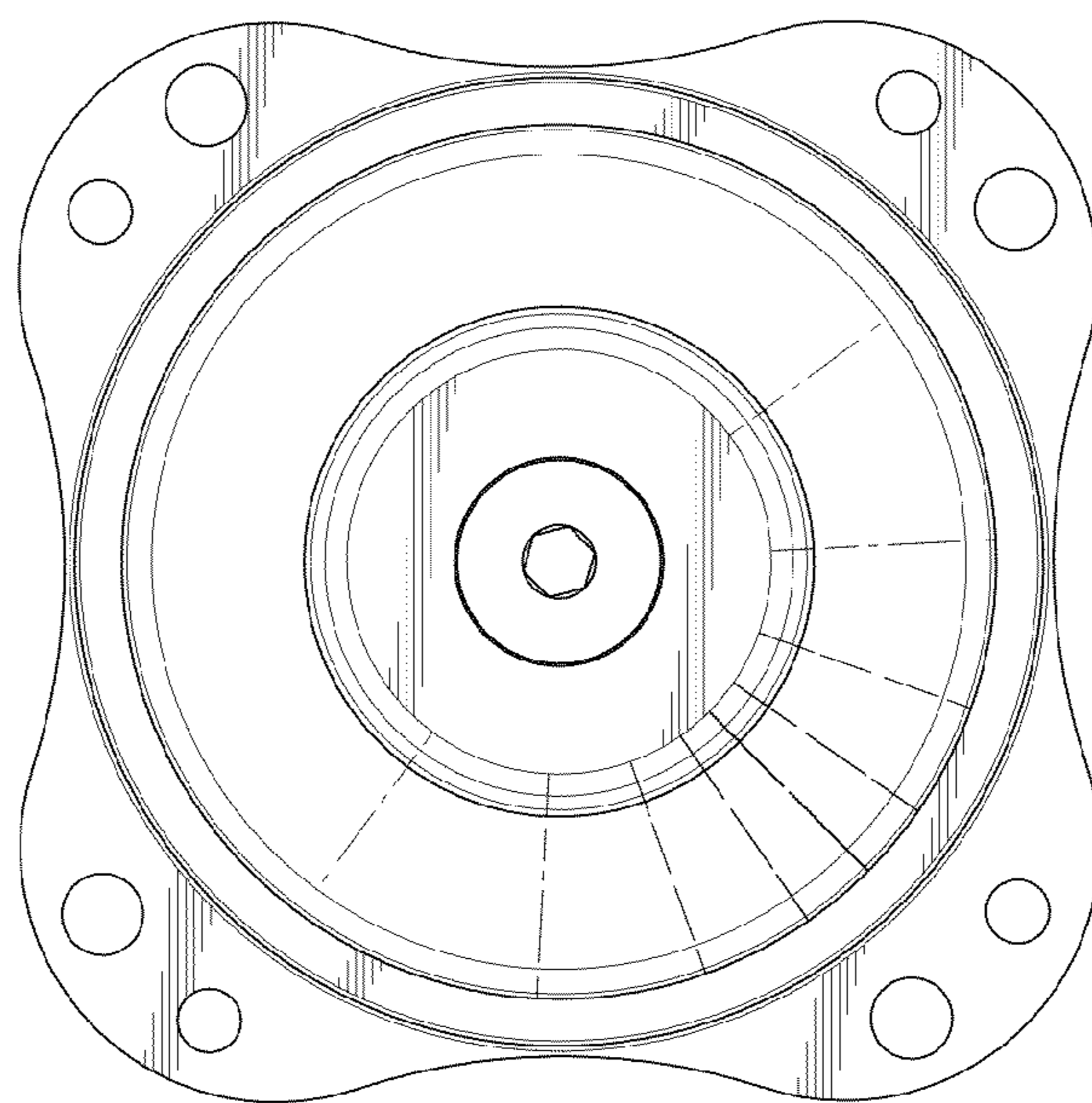
**FIG. 22**



**FIG. 23**



**FIG. 24**



**FIG. 25**