



US00D720832S

(12) **United States Design Patent**
Shetti et al.

(10) **Patent No.:** **US D720,832 S**

(45) **Date of Patent:** **** Jan. 6, 2015**

(54) **VALVE**

(71) Applicant: **General Electric Company,**
Schenectady, NY (US)

(72) Inventors: **Ramprasad Shetti,** Bangalore (IN);
Musarth Khan, Bangalore (IN)

(73) Assignee: **General Electric Company,**
Schenectady, NY (US)

(**) Term: **14 Years**

(21) Appl. No.: **29/465,873**

(22) Filed: **Sep. 3, 2013**

(51) **LOC (10) Cl.** **23-01**

(52) **U.S. Cl.**
USPC **D23/233**

(58) **Field of Classification Search**
USPC D23/233–237, 244–249; 137/15.04,
137/15.08; 251/149.1, 214; 210/342, 234,
210/412

See application file for complete search history.

(56) **References Cited**

U.S. PATENT DOCUMENTS

D479,576 S * 9/2003 Wright D23/233
D559,955 S * 1/2008 Donovan et al. D23/233

D607,538 S * 1/2010 Nun D23/233
D633,180 S * 2/2011 Duong et al. D23/233
D678,470 S * 3/2013 Mortensen D23/233
D678,699 S * 3/2013 Stravitz D6/707.22
D706,390 S * 6/2014 McLauchlan et al. D23/233

* cited by examiner

Primary Examiner — Cynthia Ramirez

(74) *Attorney, Agent, or Firm* — GE Global Patent
Operation; John A. Kramer

(57) **CLAIM**

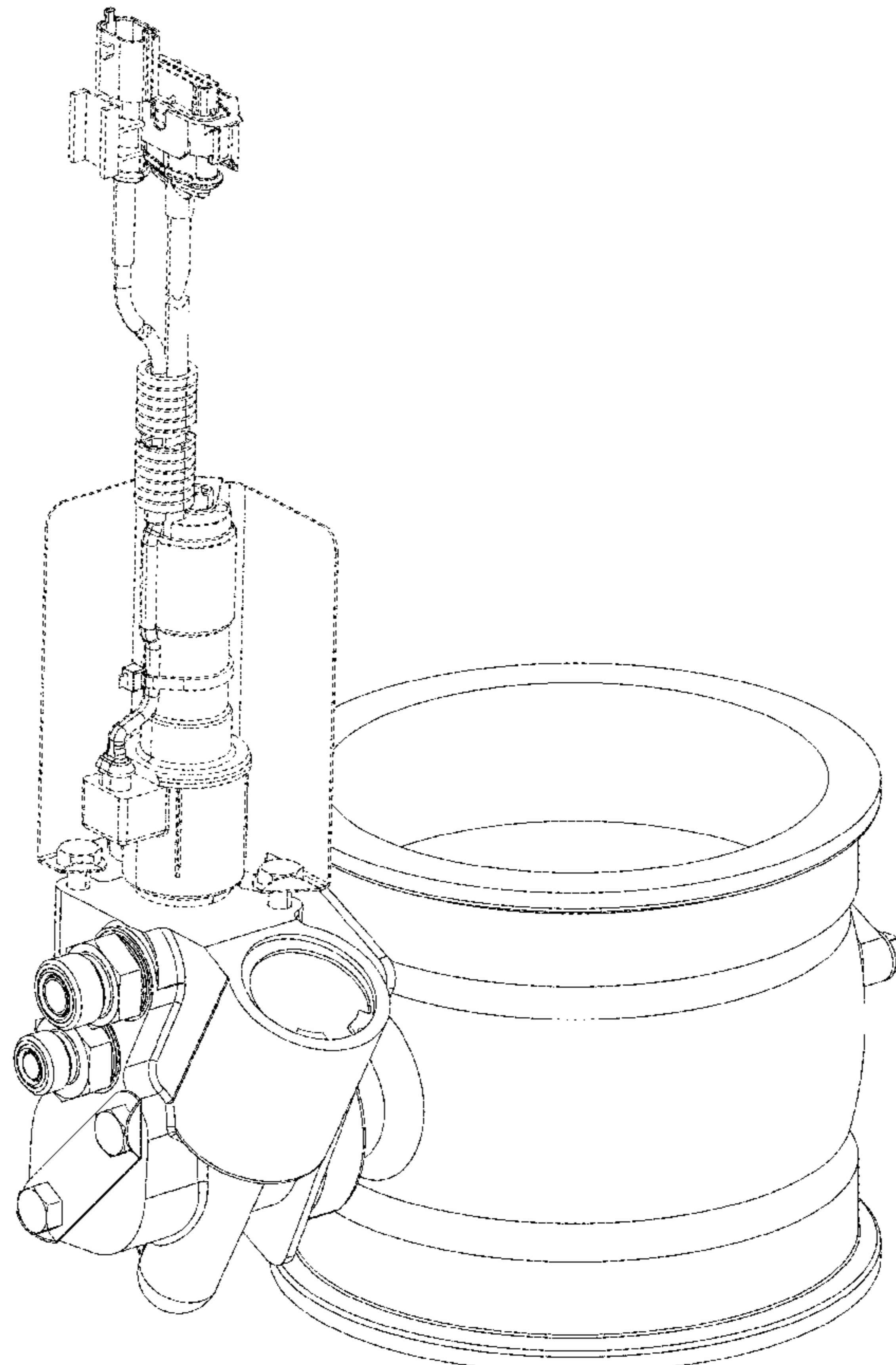
The ornamental design for a valve, as shown and described.

DESCRIPTION

FIG. 1 is a top, front, left-hand side perspective view of a valve comprising a new, original and ornamental design; FIG. 2 is a front view thereof; FIG. 3 is a rear view thereof; FIG. 4 is a right-hand side view thereof; FIG. 5 is a left-hand side view thereof; FIG. 6 is a top view thereof; and, FIG. 7 is a bottom view thereof.

The broken line portion of the figure drawings is included to show unclaimed subject matter only and forms no part of the claimed design.

1 Claim, 6 Drawing Sheets



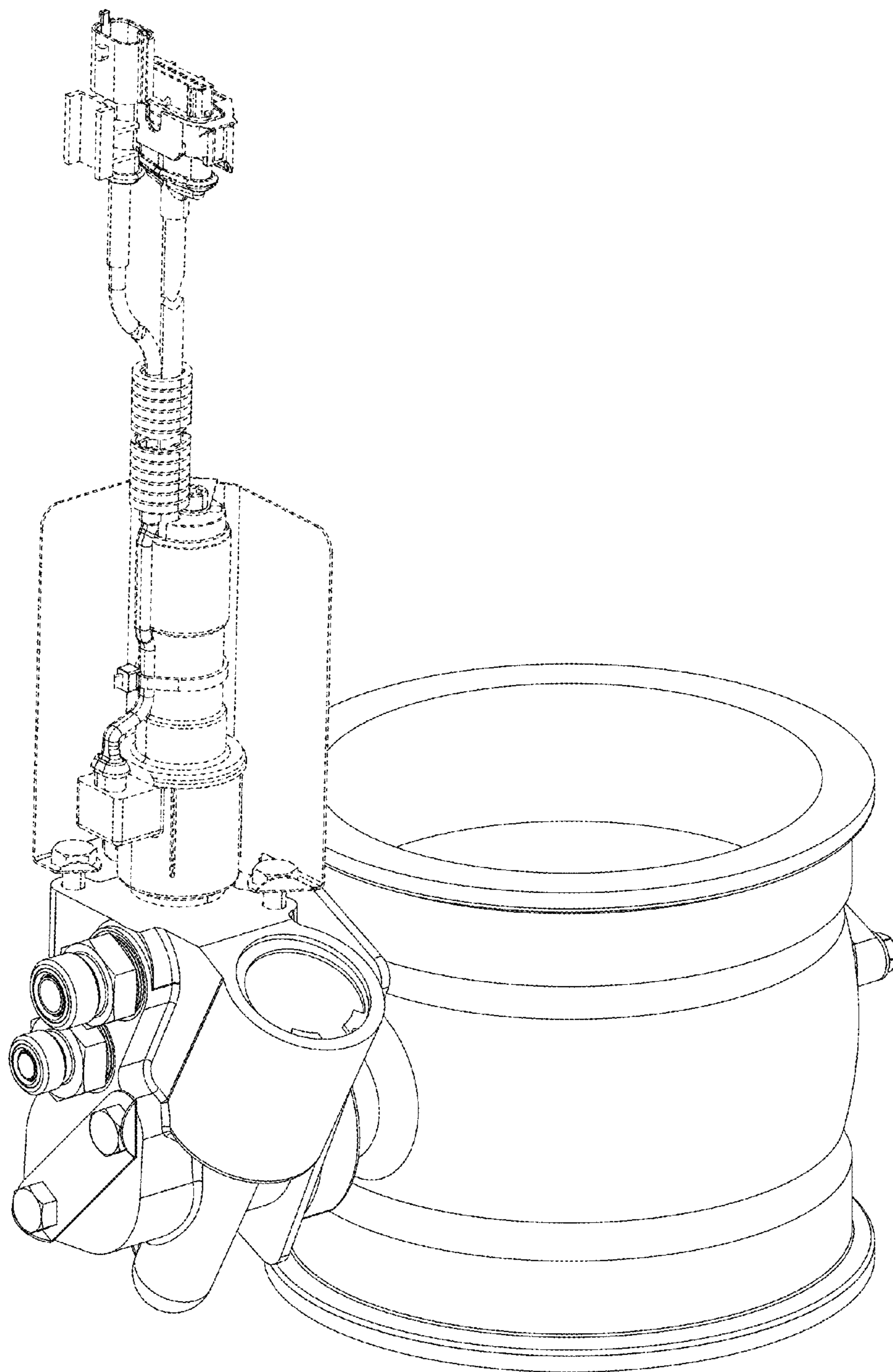


FIG. 1

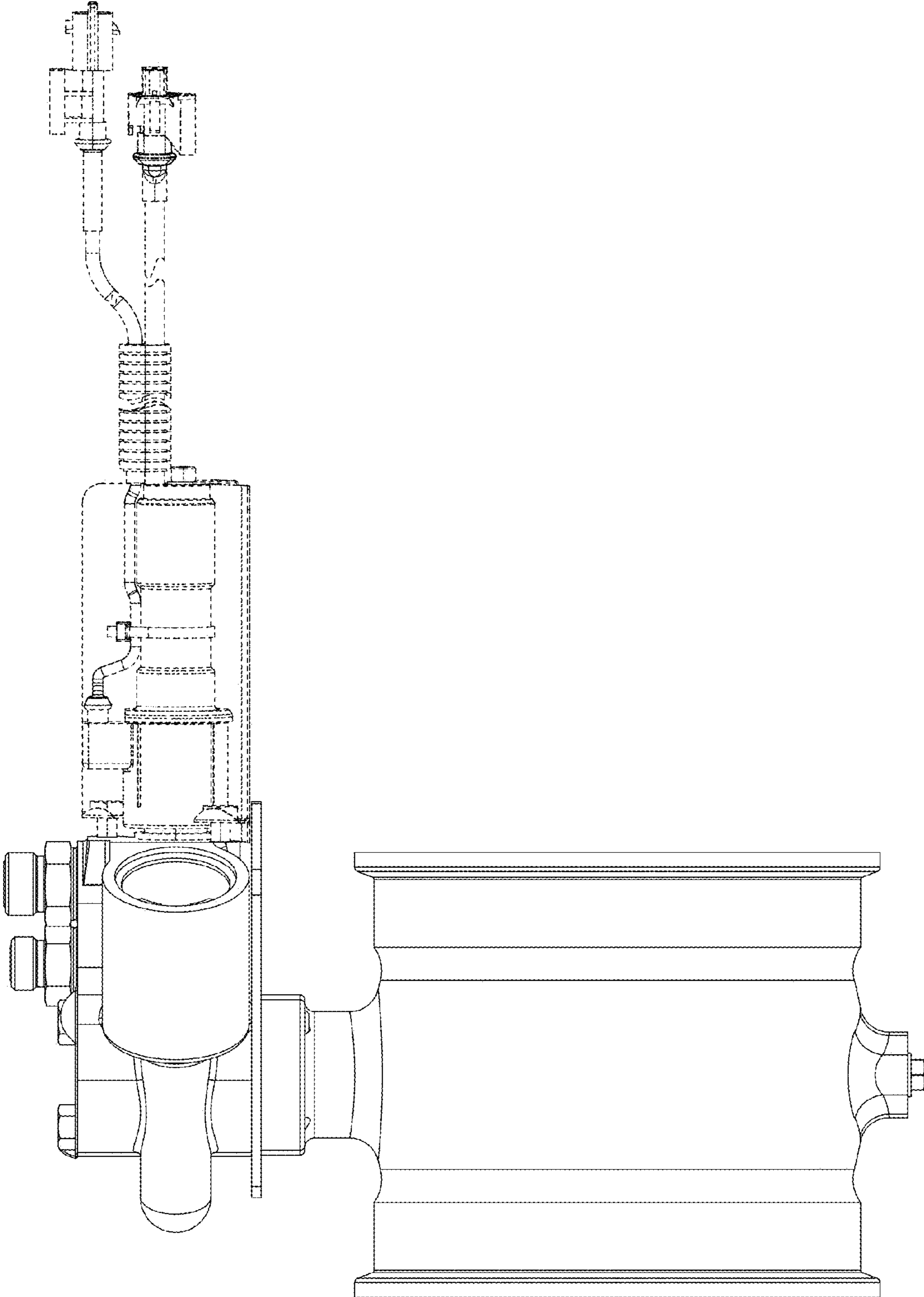


FIG. 2

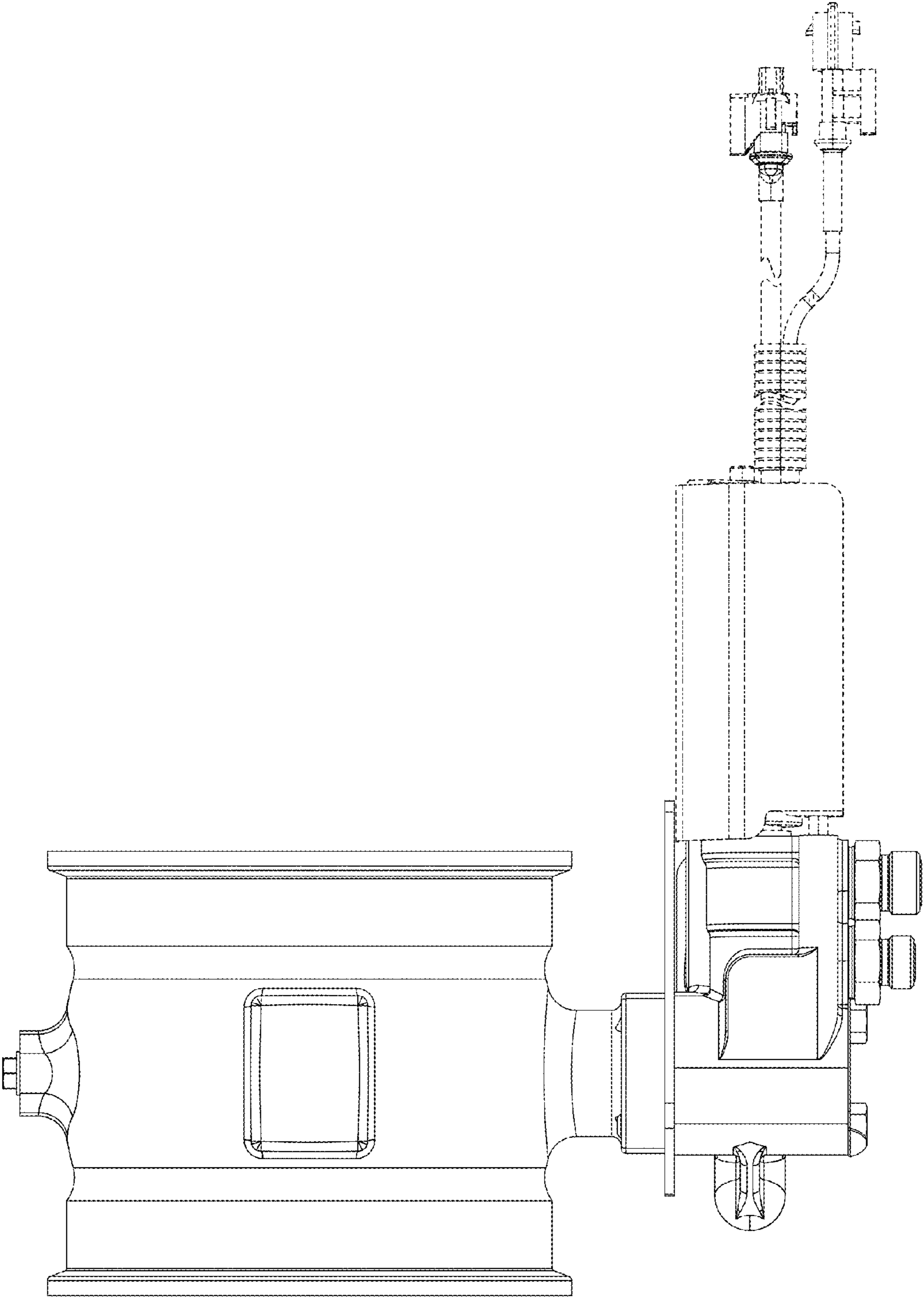


FIG. 3

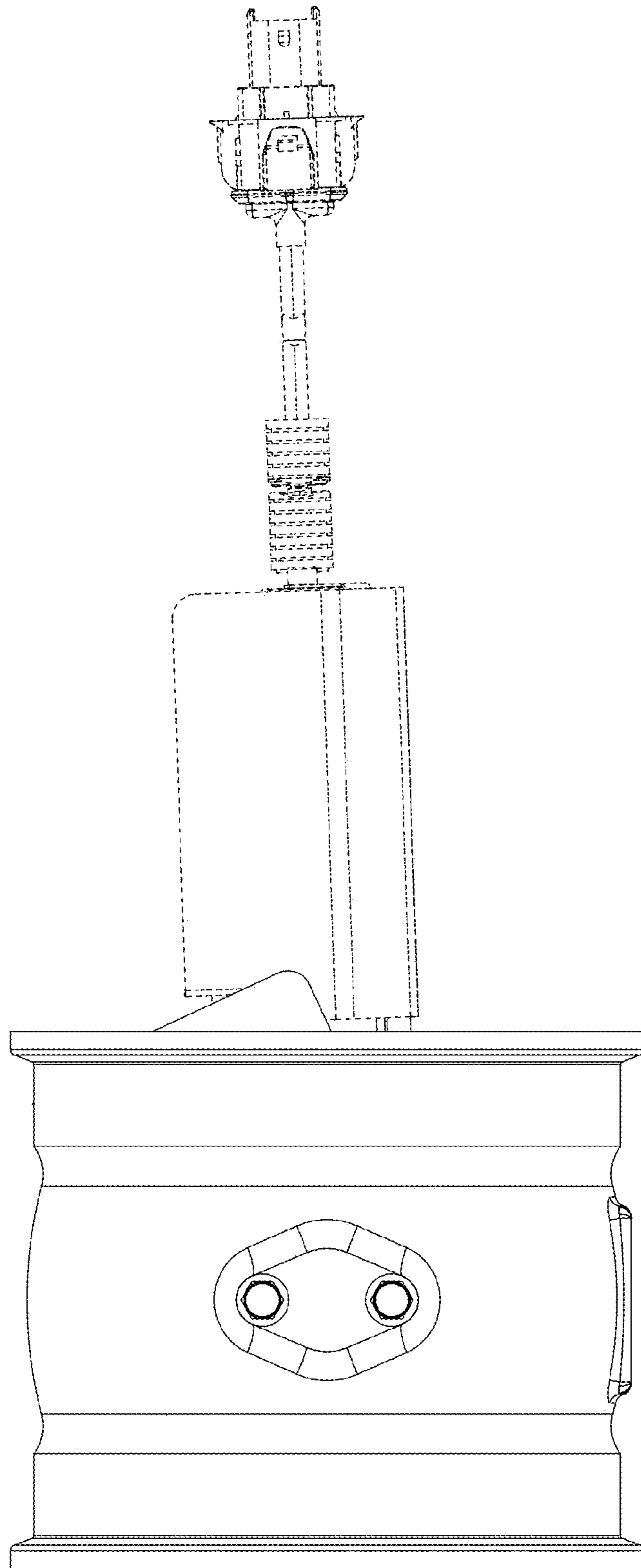


FIG. 4

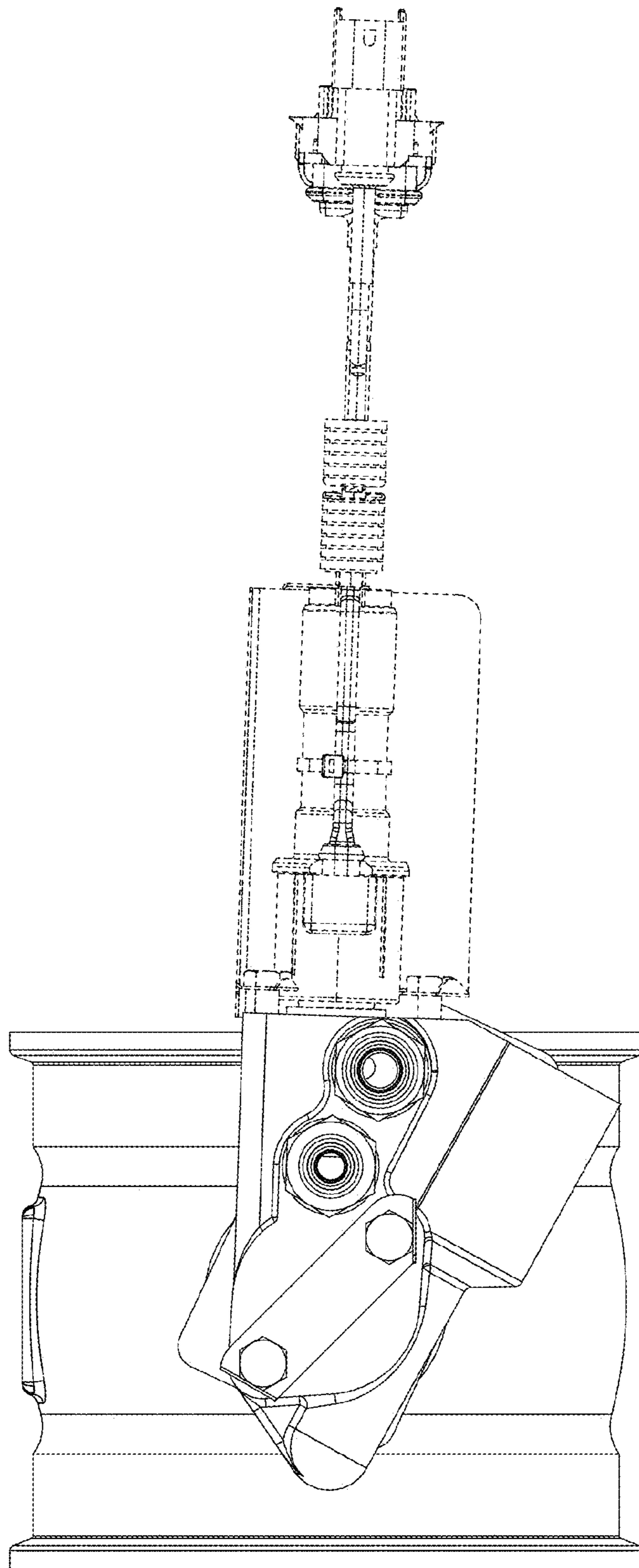


FIG. 5

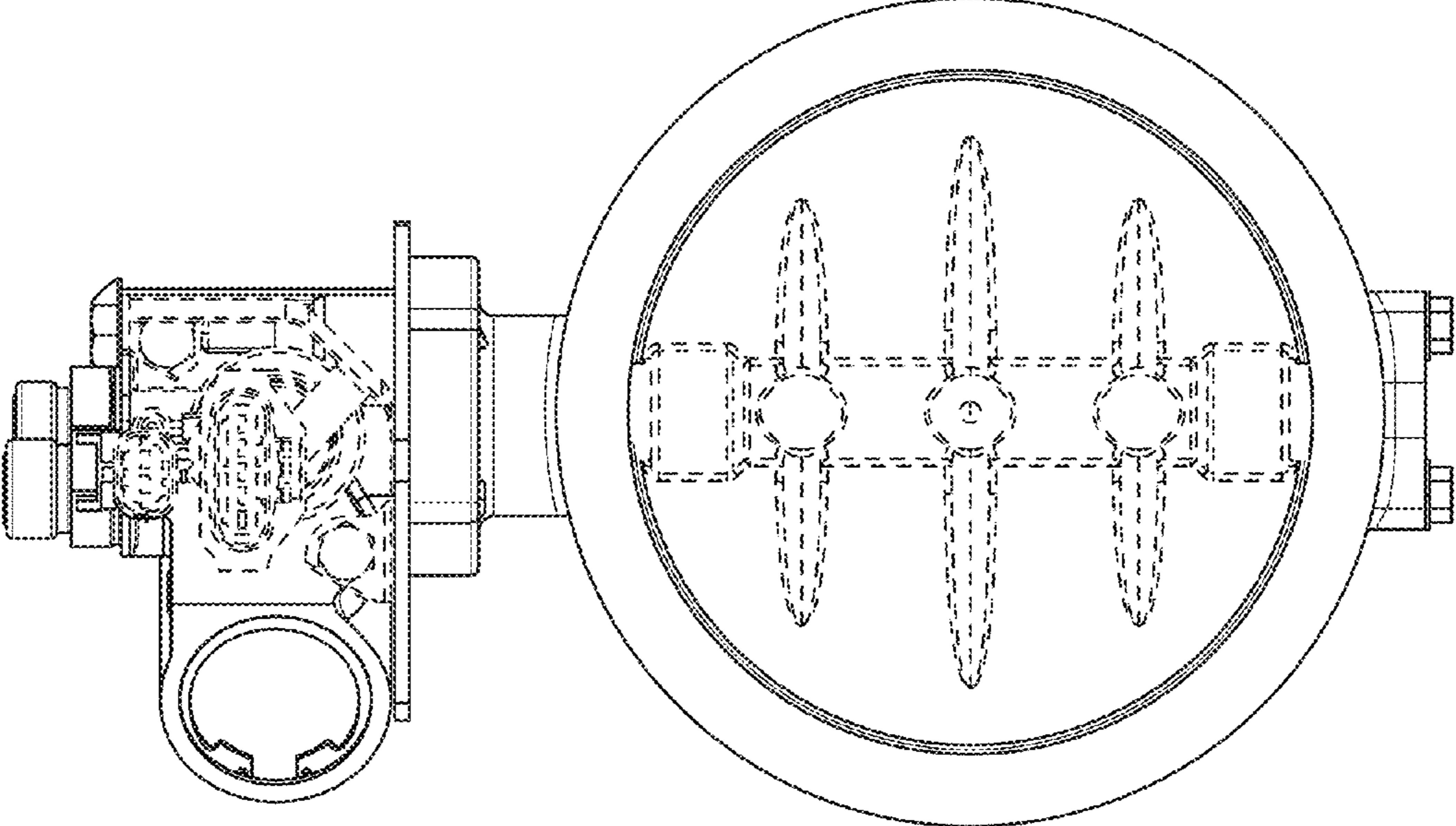


FIG. 6

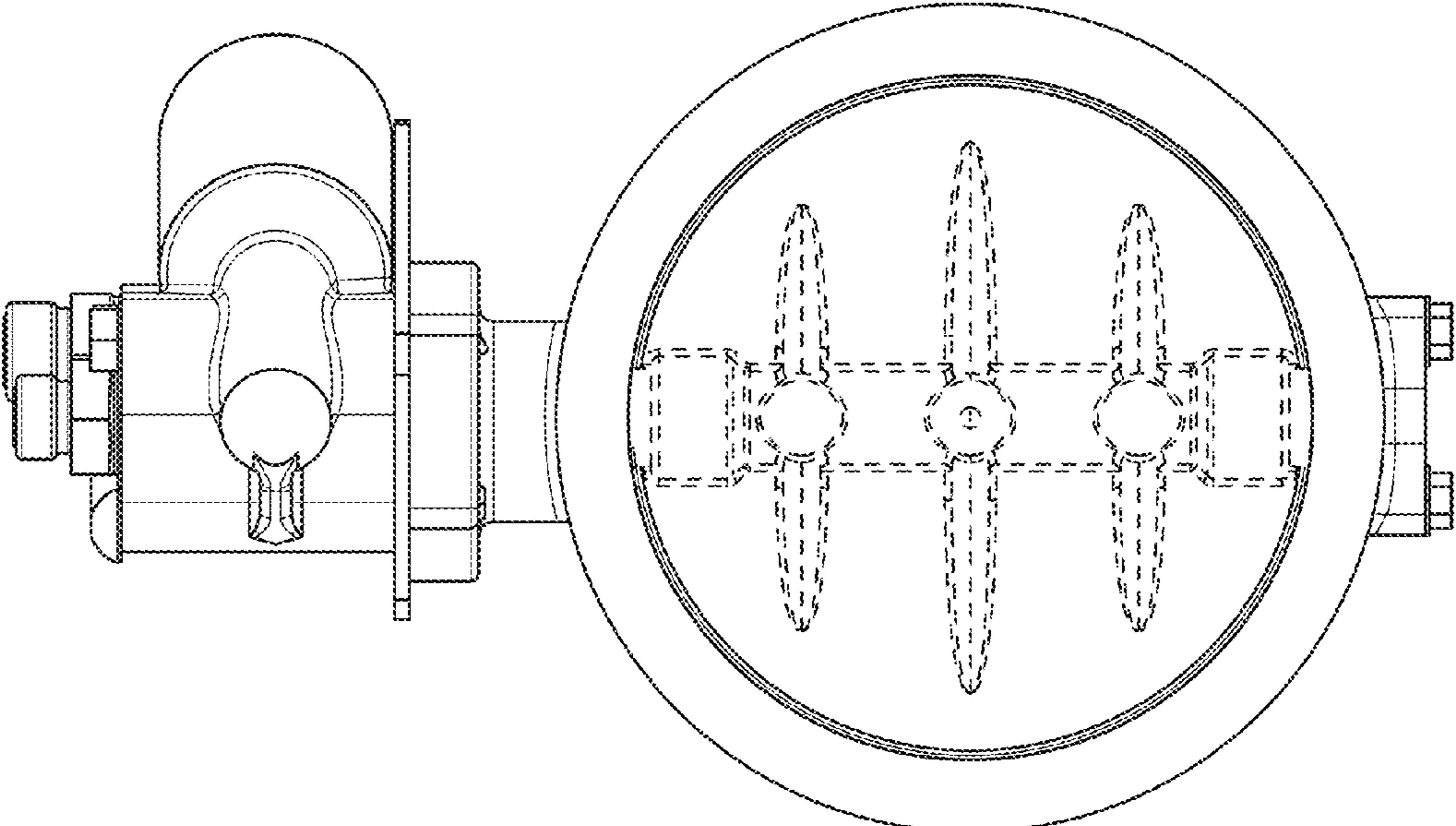


FIG. 7