



US00D720831S

(12) **United States Design Patent**
O'Banion

(10) **Patent No.:** **US D720,831 S**
(45) **Date of Patent:** **** Jan. 6, 2015**

(54) **CLAMSHELL-STYLE VALVE KNOB COVER LOCKOUT DEVICE**

Primary Examiner — Cynthia Ramirez

Assistant Examiner — Gino Colan

(71) Applicant: **Patrick M. O'Banion**, Hillsboro, OR
(US)

(74) *Attorney, Agent, or Firm* — Mersenne Law LLP

(72) Inventor: **Patrick M. O'Banion**, Hillsboro, OR
(US)

(57) **CLAIM**

I claim the ornamental design for a clamshell-style valve knob cover lockout device, as shown and described.

(**) Term: **14 Years**

(21) Appl. No.: **29/453,300**

(22) Filed: **Apr. 26, 2013**

DESCRIPTION

(51) **LOC (10) Cl.** **23-01**

FIG. 1 shows a general perspective view of the invention in a closed position.

(52) **U.S. Cl.**

FIG. 2 shows a general perspective view of the invention in an open position.

USPC **D23/233**

(58) **Field of Classification Search**

CPC F16K 27/12; F16K 35/10; F16K 11/07;
F16K 1/2007; F16K 1/2028; F16K 1/205;
F16K 27/0209; F16K 27/041; F16K 31/0613;
F16K 51/02; F16K 15/026; F16K 1/12;
F16K 27/003; F16K 27/0245; F16K 31/0637;
F16K 35/027

FIG. 3 is a front view of an embodiment in the closed position.

FIG. 4 is a back view of an embodiment in the closed position.

FIG. 5 is a right side view of an embodiment in the closed position.

USPC D23/233-250; 251/305, 308, 173, 306;
123/337, 399; 29/890.12

FIG. 6 is a left side view of an embodiment in the closed position.

See application file for complete search history.

FIG. 7 is a top view of an embodiment in the closed position.

FIG. 8 is a bottom view of an embodiment in the closed position.

(56) **References Cited**

U.S. PATENT DOCUMENTS

5,979,871	A *	11/1999	Forbes et al.	251/305
6,123,318	A *	9/2000	Forbes et al.	251/173
6,491,020	B2 *	12/2002	Kotchi et al.	123/337
6,508,455	B2 *	1/2003	Rauch et al.	251/305
7,069,902	B2 *	7/2006	Arai et al.	123/337
7,111,609	B2 *	9/2006	Tanimura et al.	123/337
7,469,677	B2 *	12/2008	Hannewald et al.	123/403
D678,478	S *	3/2013	Thielbar	D23/248
2005/0263131	A1 *	12/2005	Tanimura et al.	123/337
2011/0309277	A1 *	12/2011	Christensen	251/129.15
2013/0181154	A1 *	7/2013	Robison et al.	251/324
2014/0246617	A1 *	9/2014	Diel	251/305

FIG. 9 is a front view of an embodiment in the open position.

FIG. 10 is a back view of an embodiment in the open position.

FIG. 11 is a right side view of an embodiment in the open position.

FIG. 12 is a left side view of an embodiment in the open position.

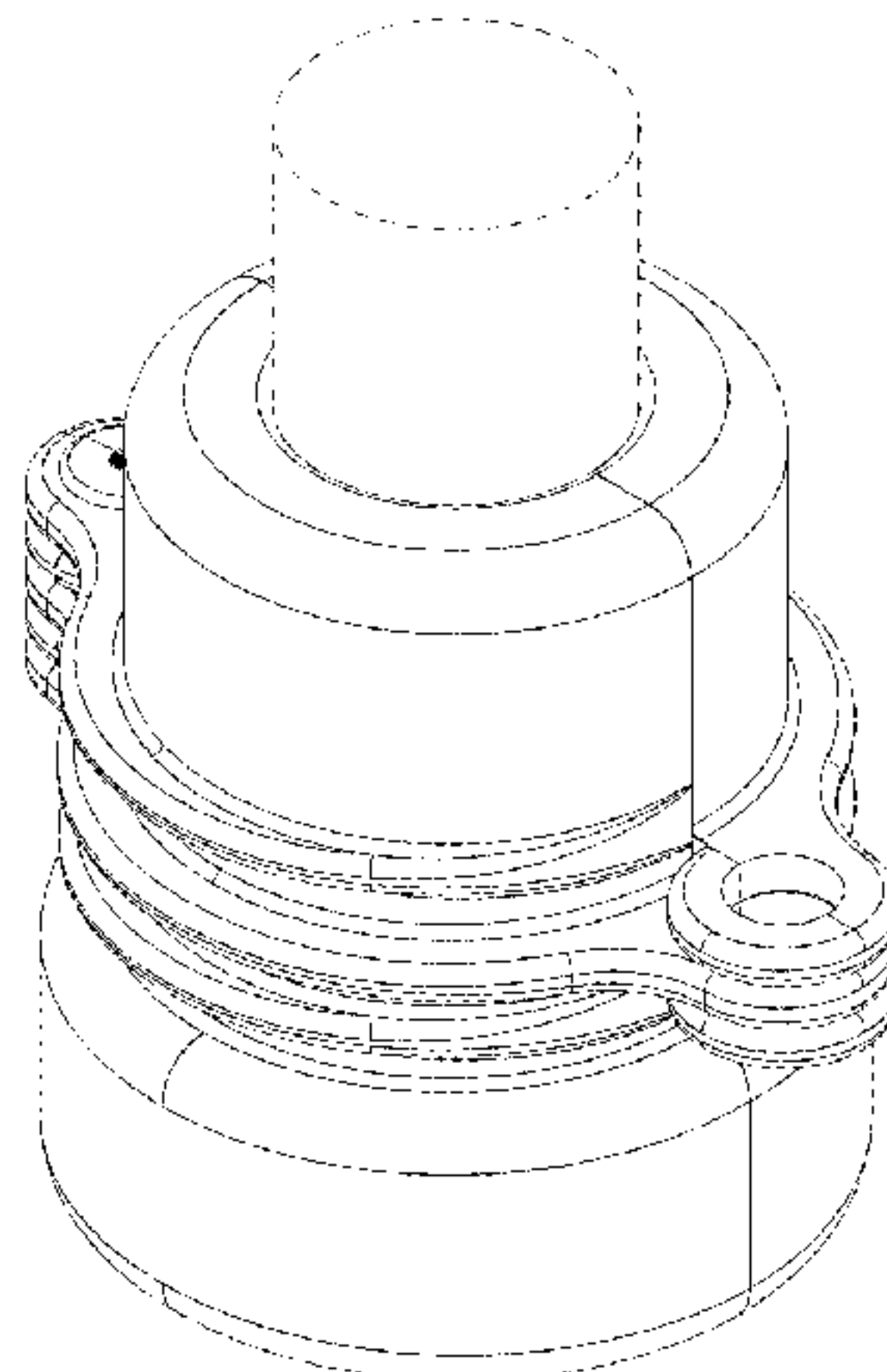
FIG. 13 is a top view of an embodiment in the open position; and,

FIG. 14 is a bottom view of an embodiment in the open position.

The broken line showings of a sample valve and pipe extending therefrom are directed to environment and are for illustrative purposes only; the broken lines form no part of the claimed design.

* cited by examiner

1 Claim, 6 Drawing Sheets



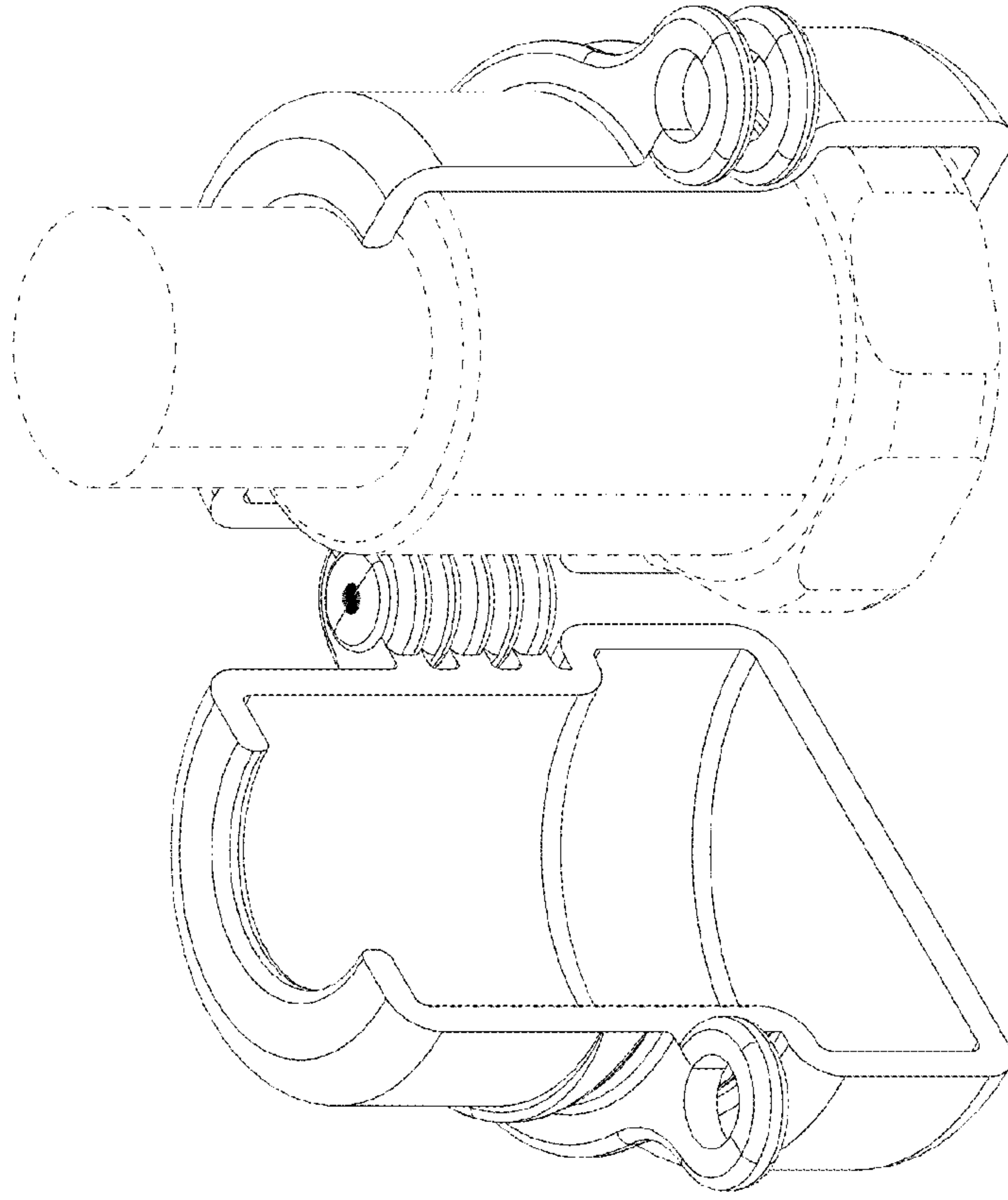


Fig. 2

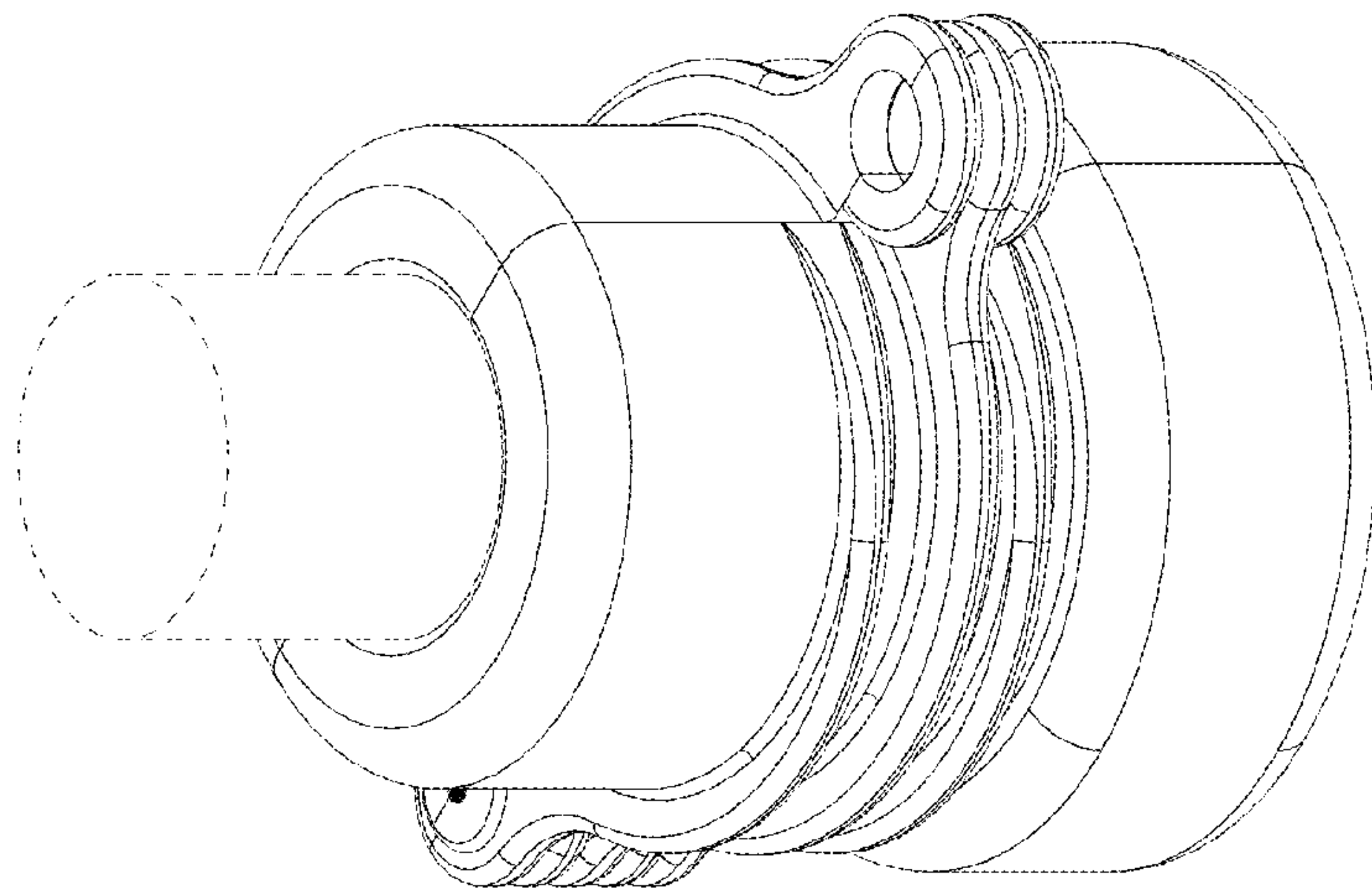


Fig. 1

Fig. 3

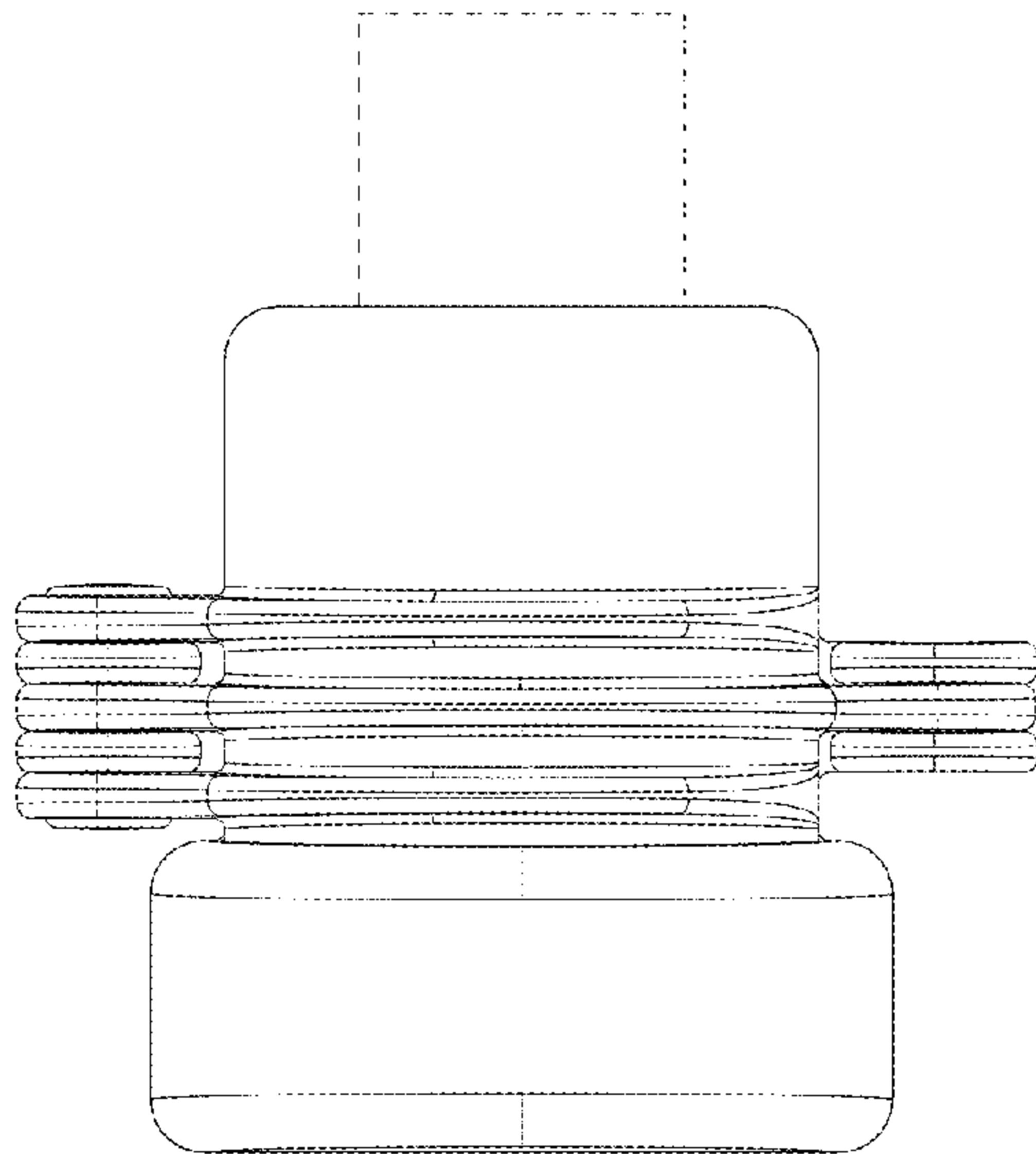


Fig. 4

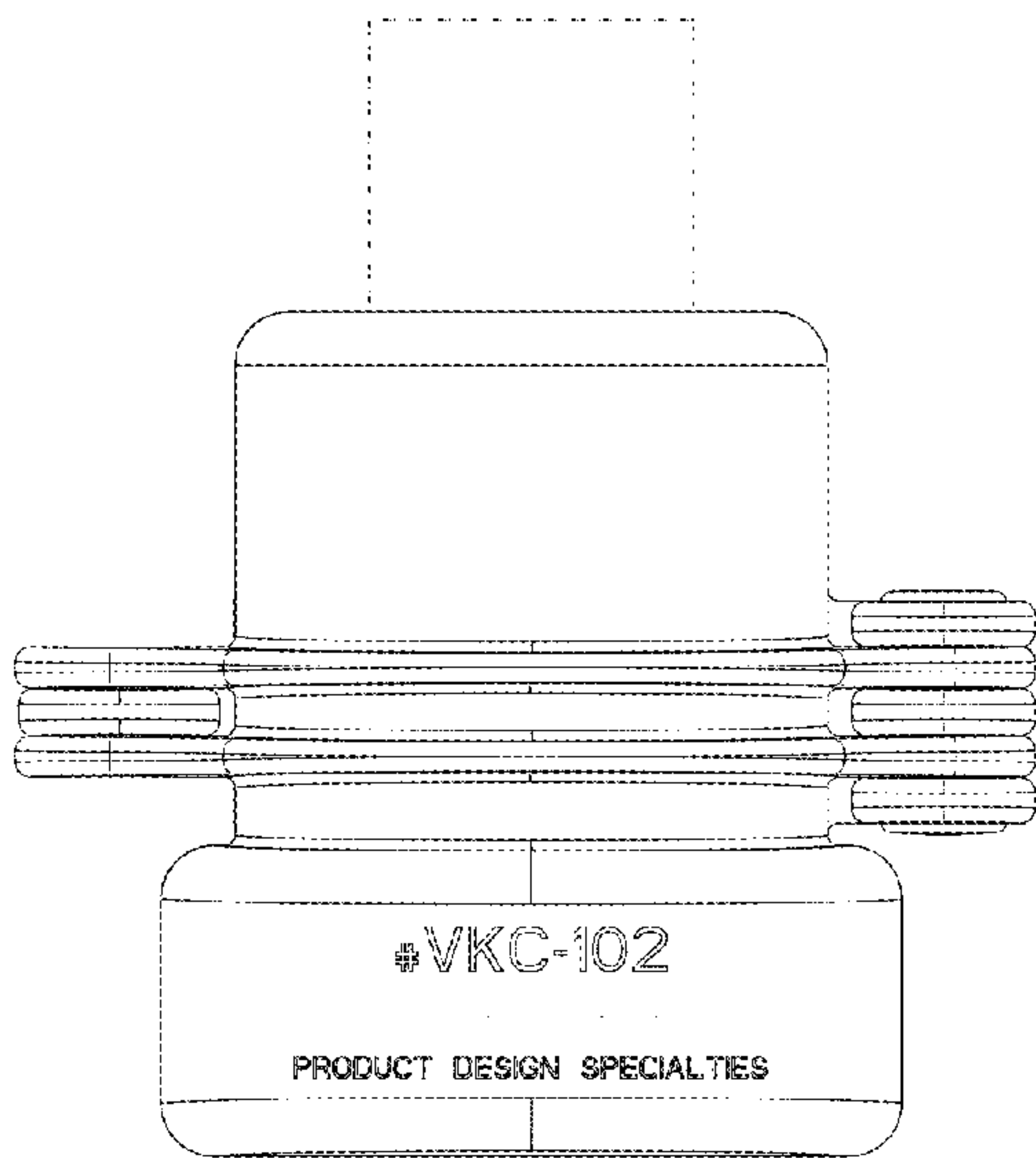


Fig. 5

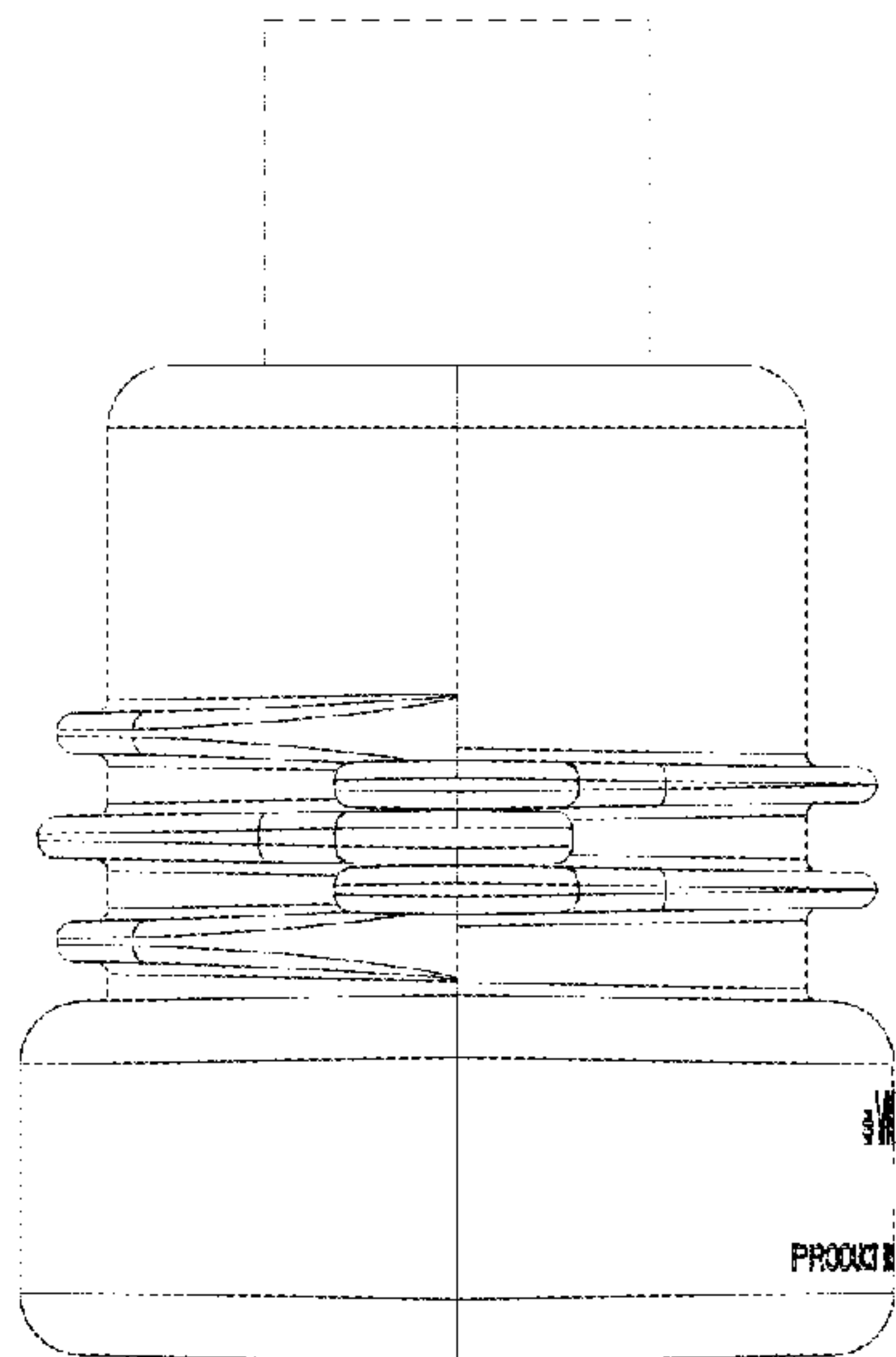
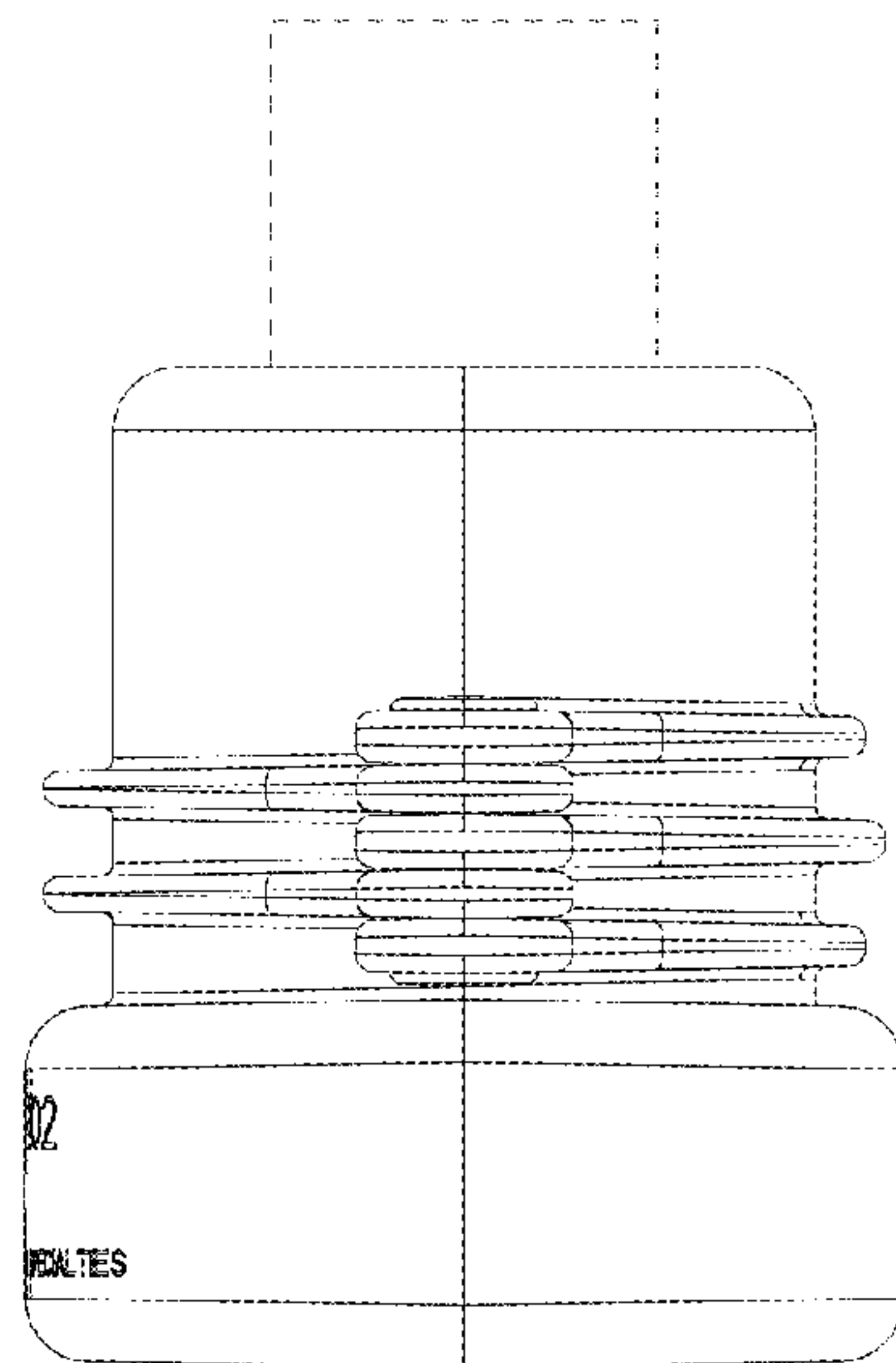


Fig. 6



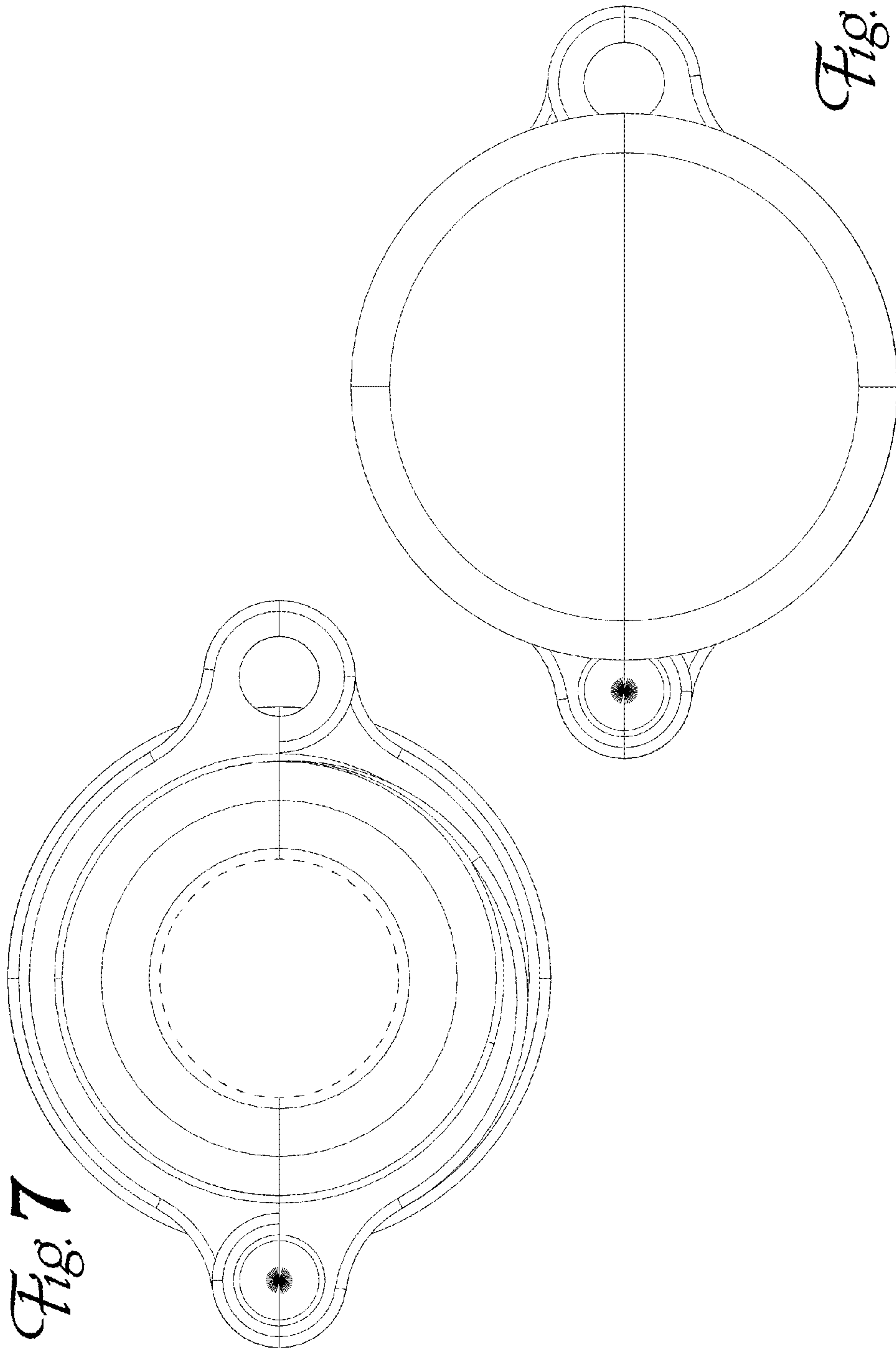


Fig. 7

Fig. 8

Fig. 9

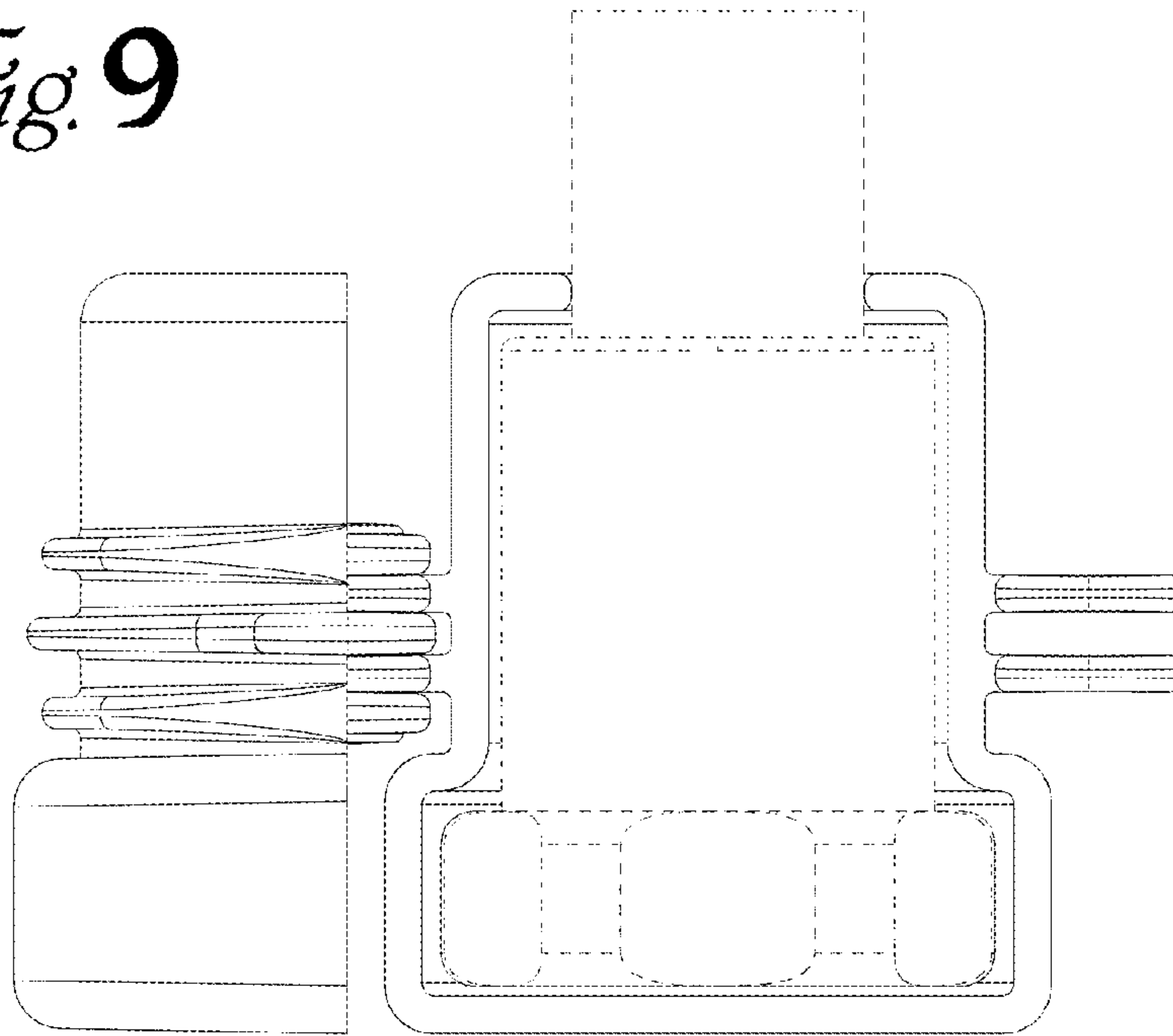


Fig. 10

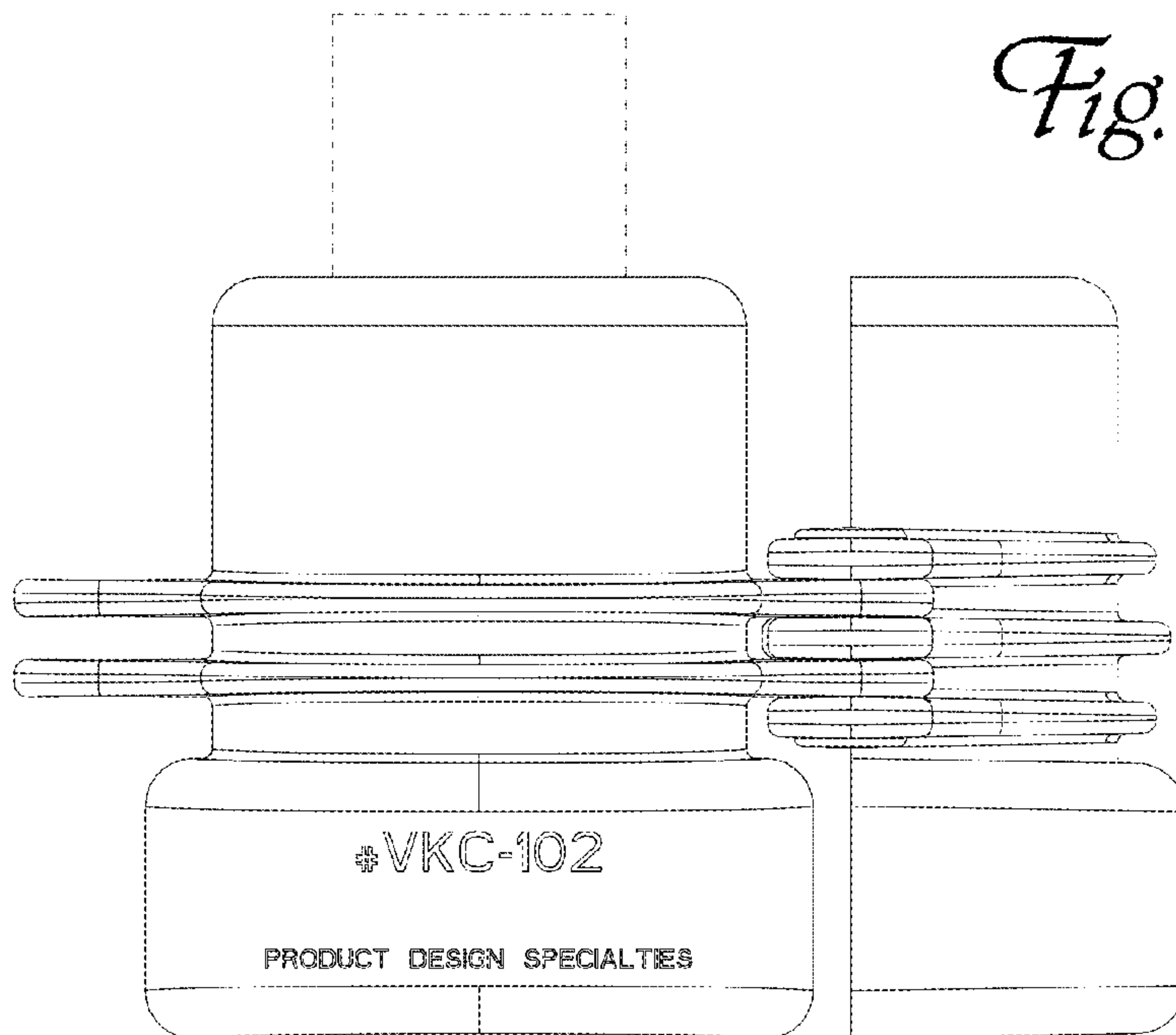


Fig. 11

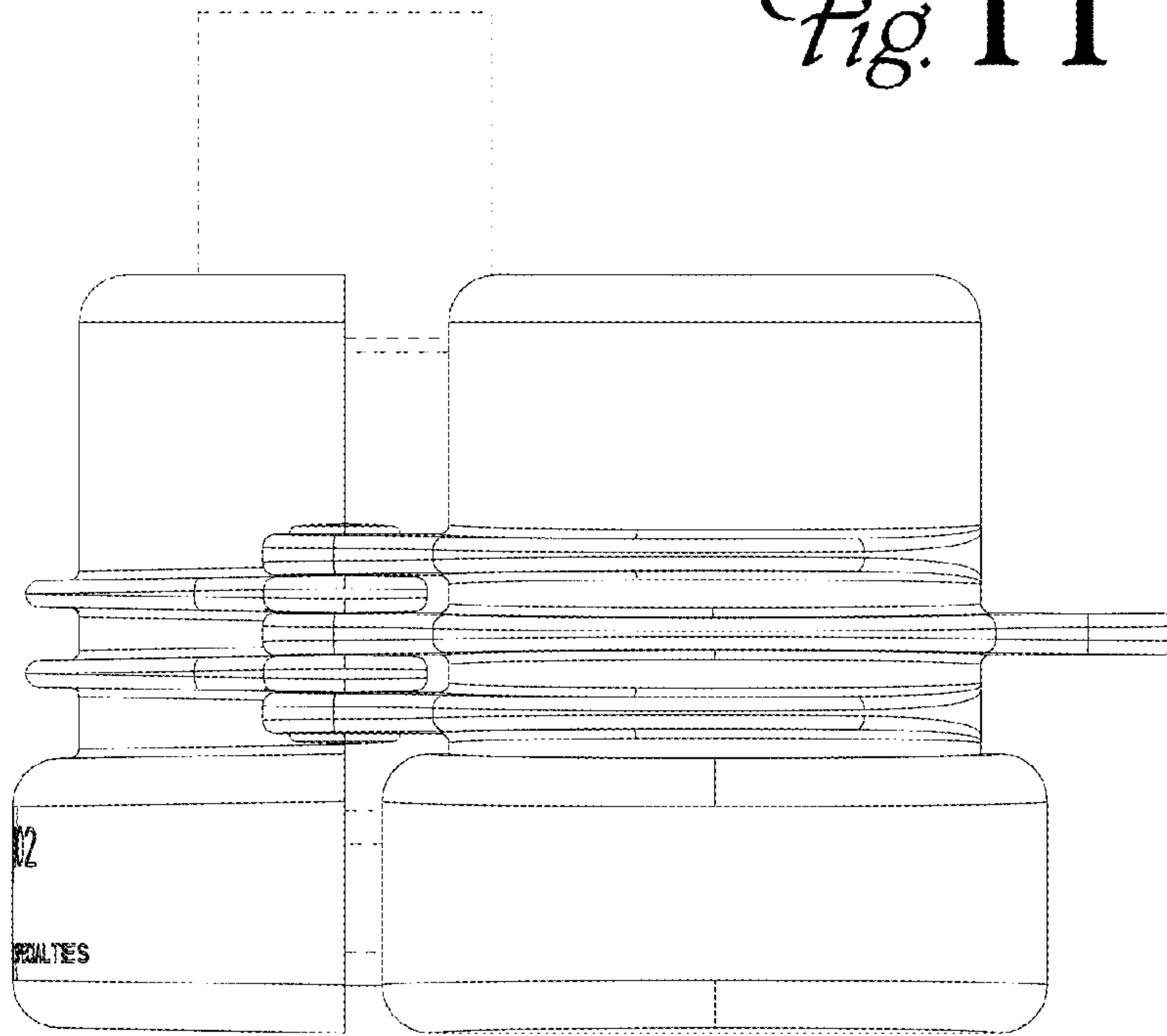


Fig. 12

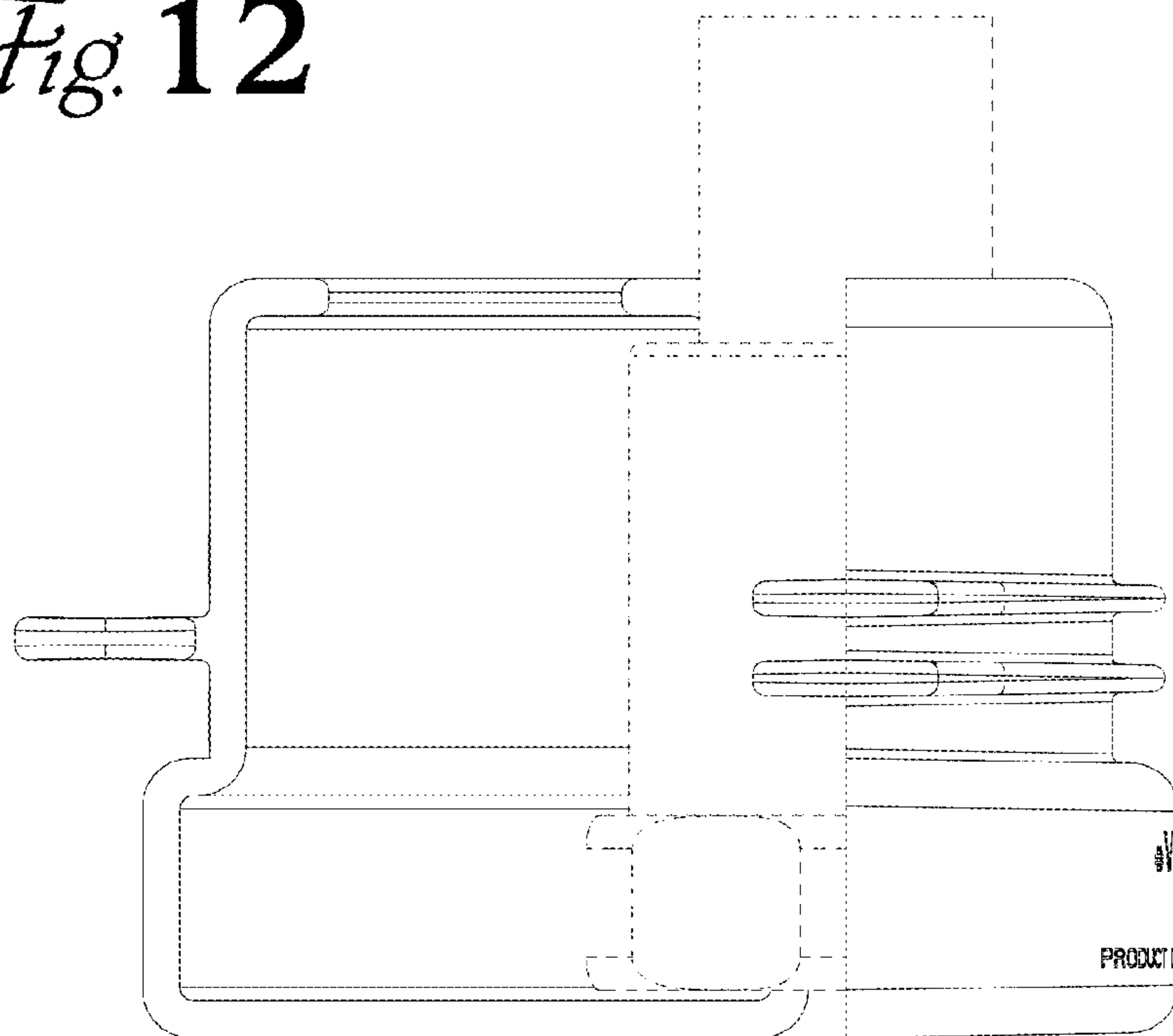


Fig. 14

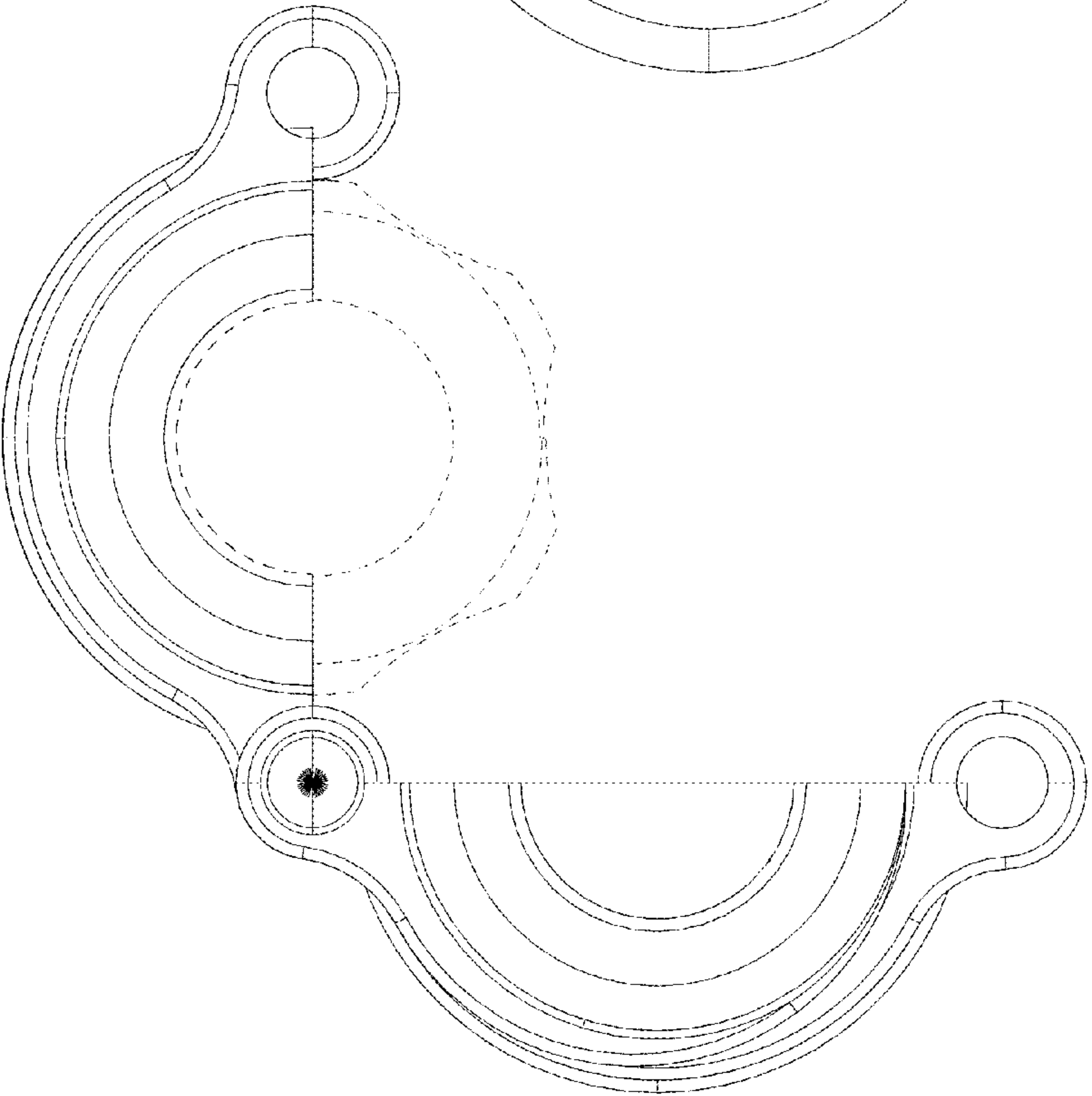
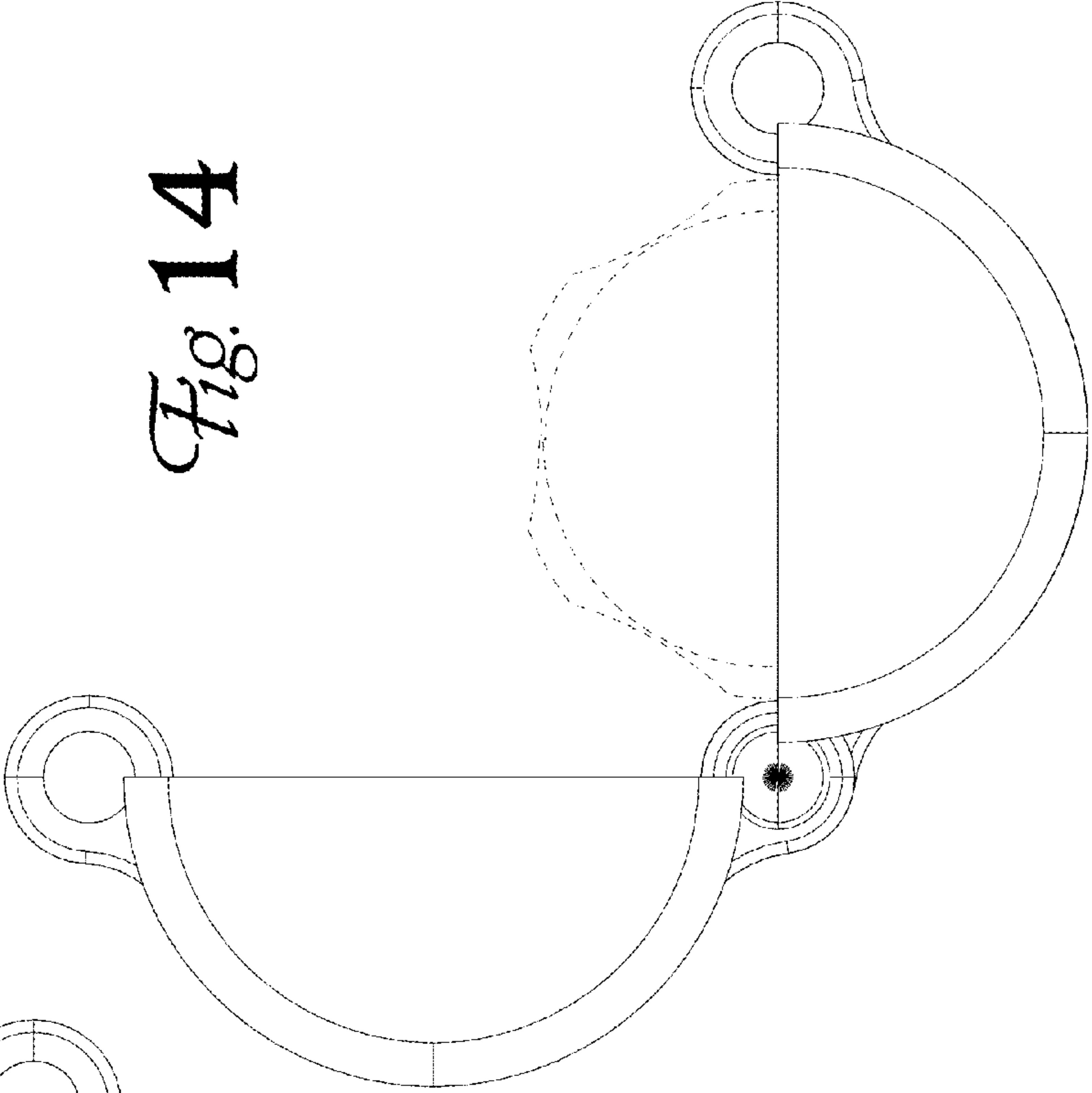


Fig. 13