



US00D720828S

(12) **United States Design Patent**  
**Faifer**

(10) **Patent No.:** **US D720,828 S**

(45) **Date of Patent:** **\*\* Jan. 6, 2015**

(54) **REAR SIGHT FOR A GUN**

(71) Applicant: **Sagi Faifer**, Mishmar Hashiva, IL (US)

(72) Inventor: **Sagi Faifer**, Mishmar Hashiva, IL (US)

(\*\*) Term: **14 Years**

(21) Appl. No.: **29/460,557**

(22) Filed: **Jul. 11, 2013**

(51) **LOC (10) Cl.** ..... **22-01**

(52) **U.S. Cl.**  
USPC ..... **D22/108**

(58) **Field of Classification Search**

CPC ..... F41G 1/00; F41G 1/01; F41G 1/02;  
F41G 1/06; F41G 1/065; F41G 1/08; F41G  
1/10; F41G 1/12; F41G 1/14; F41G 1/30;  
F41G 1/32; F41G 1/38; F41G 1/40; F41G  
1/42; F41G 1/44; F41G 1/46; F41G 1/383;  
F41G 1/387; F41G 1/393; F41G 3/00; F41G  
3/005; F41G 3/02; F41G 3/04; F41G 3/06;  
F41G 3/14; F41G 11/002; F41G 11/003;  
F41G 11/004; F41G 11/005  
USPC ..... D22/108-110; 89/111-113; 359/399,  
359/823, 744; 42/104, 105, 111-113, 116,  
42/120, 124-126, 127-129, 141-148,  
42/133-140; 33/227, 229

See application file for complete search history.

(56) **References Cited**

**U.S. PATENT DOCUMENTS**

D526,380 S \* 8/2006 Swan ..... D22/109  
7,356,962 B2 \* 4/2008 Swan ..... 42/147

(Continued)

*Primary Examiner* — Michael A Pratt

(74) *Attorney, Agent, or Firm* — Law Office of Arthur M. Antonelli, PLLC

(57) **CLAIM**

The ornamental design for a rear sight for a gun, as shown and described.

**DESCRIPTION**

FIG. 1 is a front, right, top perspective view of a rear sight for a gun in accordance with my new design, the rear sight for a gun being shown in a raised configuration;

FIG. 2 is a rear, left, bottom perspective view of the rear sight for a gun of FIG. 1;

FIG. 3 is a front view of the rear sight for a gun of FIG. 1;

FIG. 4 is a right side view of the rear sight for a gun of FIG. 1;

FIG. 5 is a rear view of the rear sight for a gun of FIG. 1;

FIG. 6 is a left side view of the rear sight for a gun of FIG. 1;

FIG. 7 is a top view of the rear sight for a gun of FIG. 1;

FIG. 8 is a bottom view of the rear sight for a gun of FIG. 1;

FIG. 9 is a front, right, top perspective view of a rear sight for a gun in accordance with my new design, the rear sight for a gun being shown in a lowered configuration;

FIG. 10 is a rear, left, bottom perspective view of the rear sight for a gun of FIG. 9;

FIG. 11 is a front view of the rear sight for a gun of FIG. 9;

FIG. 12 is a right side view of the rear sight for a gun of FIG. 9;

FIG. 13 is a rear view of the rear sight for a gun of FIG. 9;

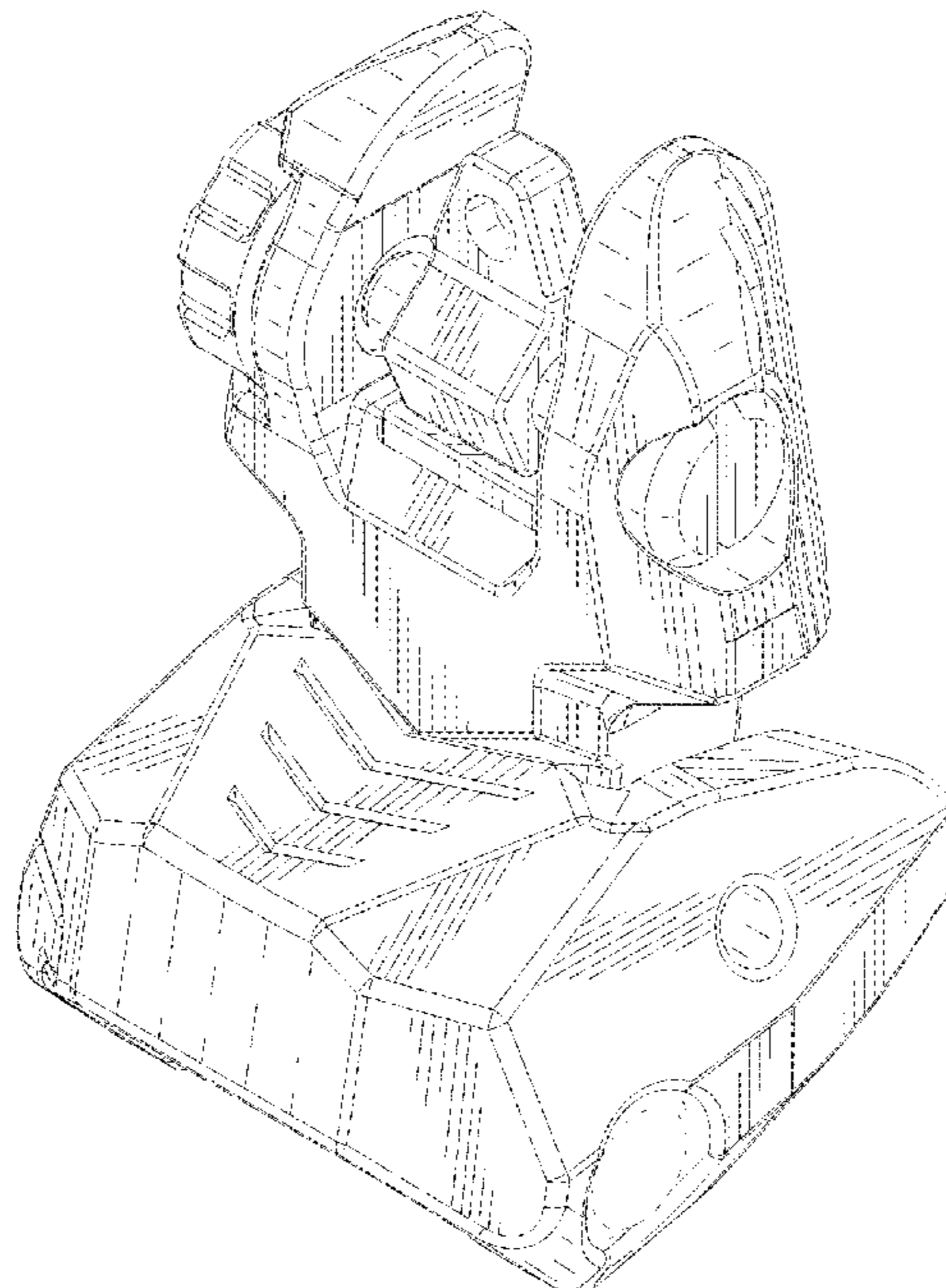
FIG. 14 is a left side view of the rear sight for a gun of FIG. 9;

FIG. 15 is a top view of the rear sight for a gun of FIG. 9; and,

FIG. 16 is a bottom view of the rear sight for a gun of FIG. 9.

All portions shown in broken lines are environmental and illustrative only and form no part of the claimed design.

**1 Claim, 8 Drawing Sheets**



(56)

**References Cited**

U.S. PATENT DOCUMENTS

D594,083 S 6/2009 Mayberry et al.  
D594,084 S 6/2009 Mayberry et al.  
D615,144 S \* 5/2010 Mayberry et al. .... D22/109

D635,634 S \* 4/2011 Swan ..... D22/109  
D637,259 S \* 5/2011 Swan ..... D22/109  
D648,413 S 11/2011 Mayberry et al.  
D675,281 S \* 1/2013 Speroni ..... D22/109  
D687,915 S \* 8/2013 Adcock, Jr. .... D22/109

\* cited by examiner

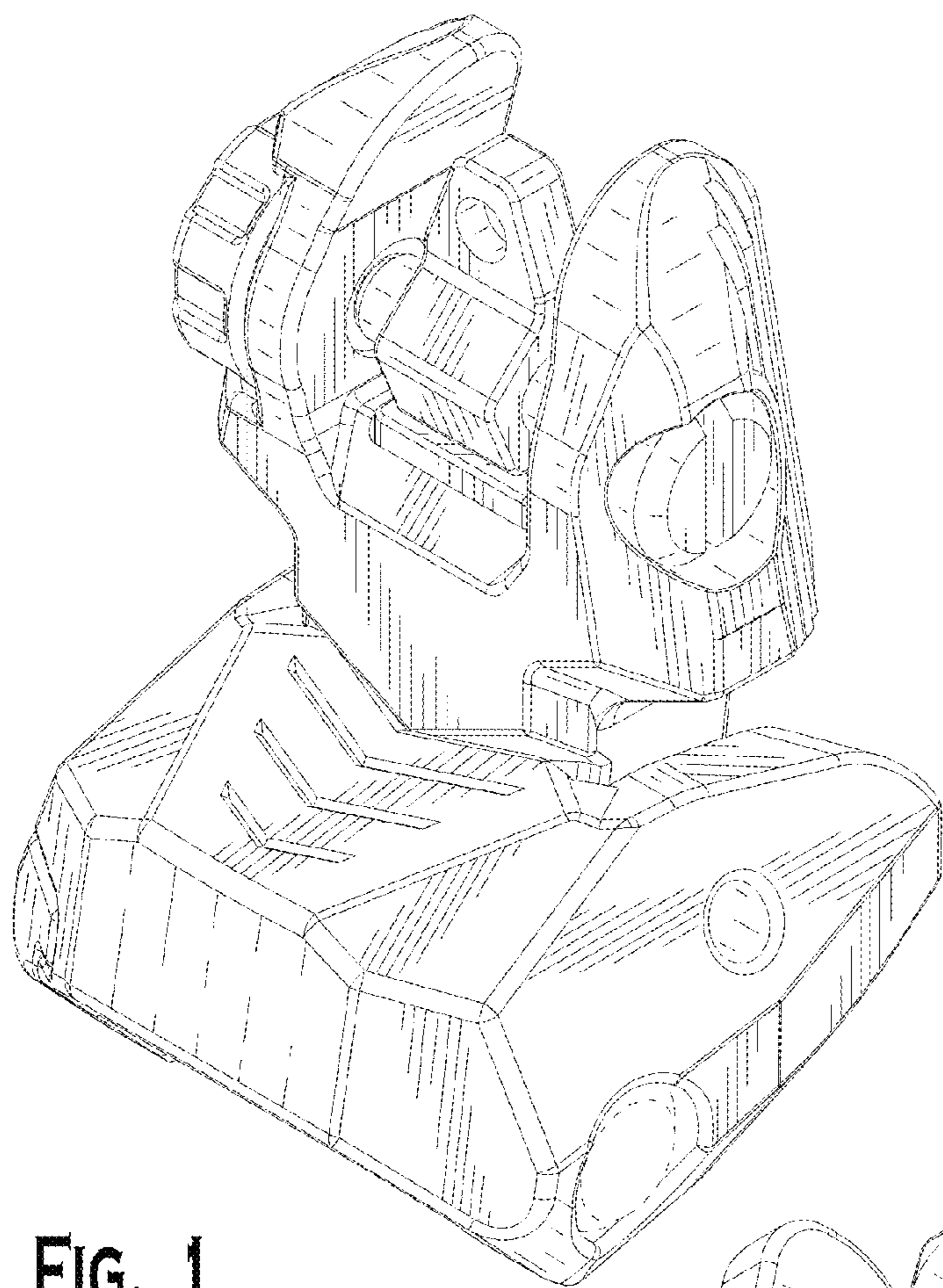


FIG. 1

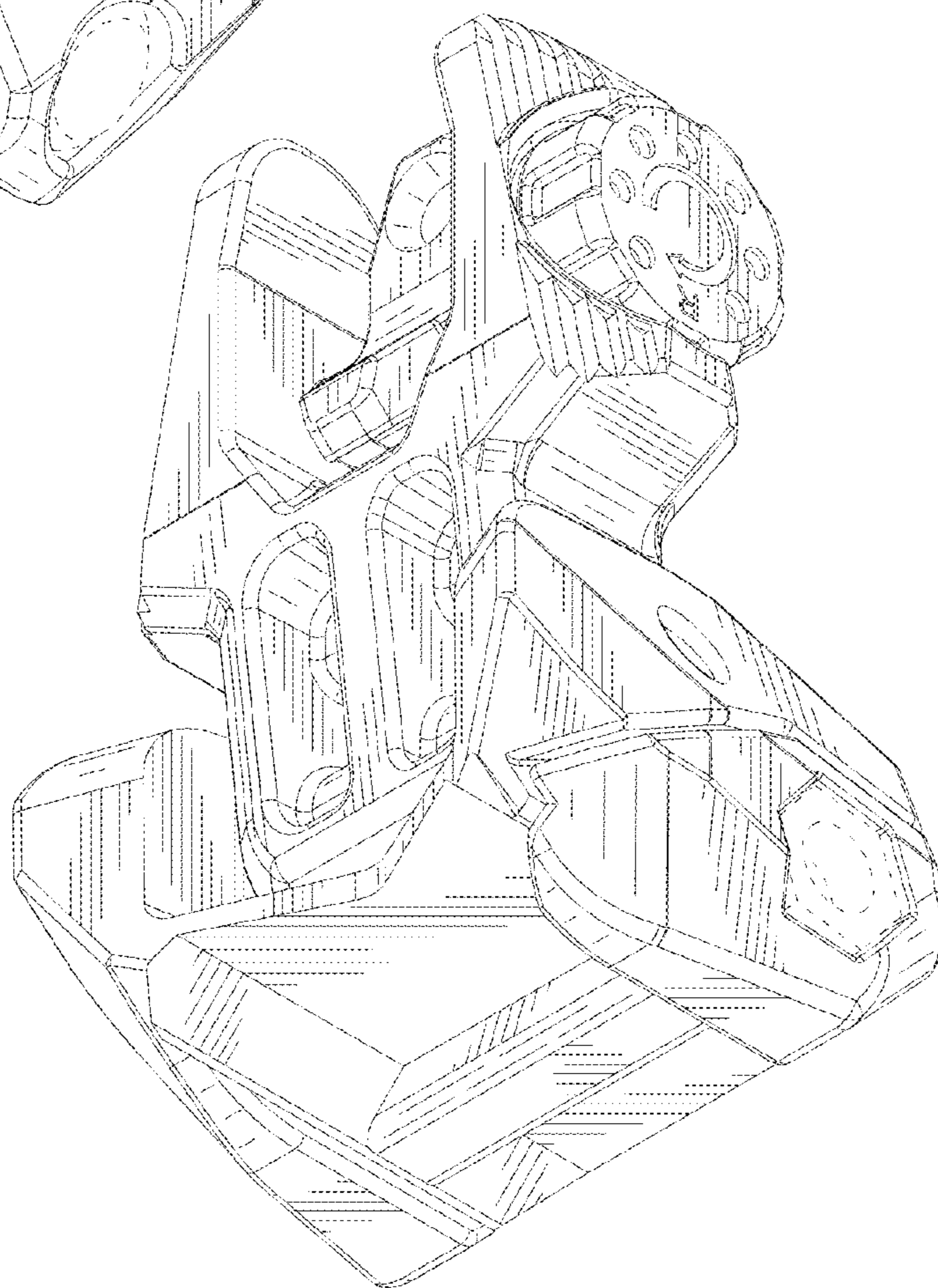


FIG. 2

FIG. 3

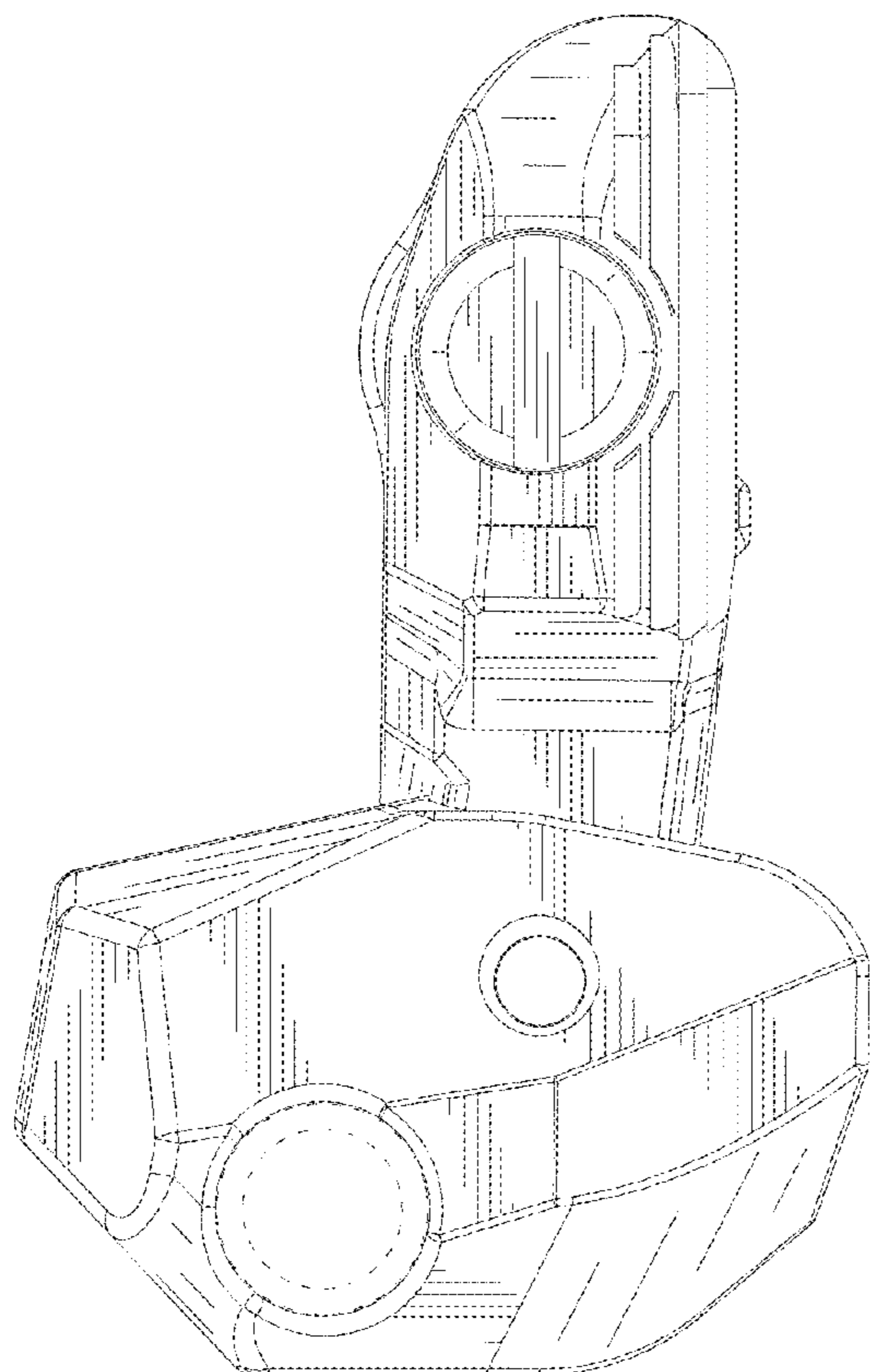
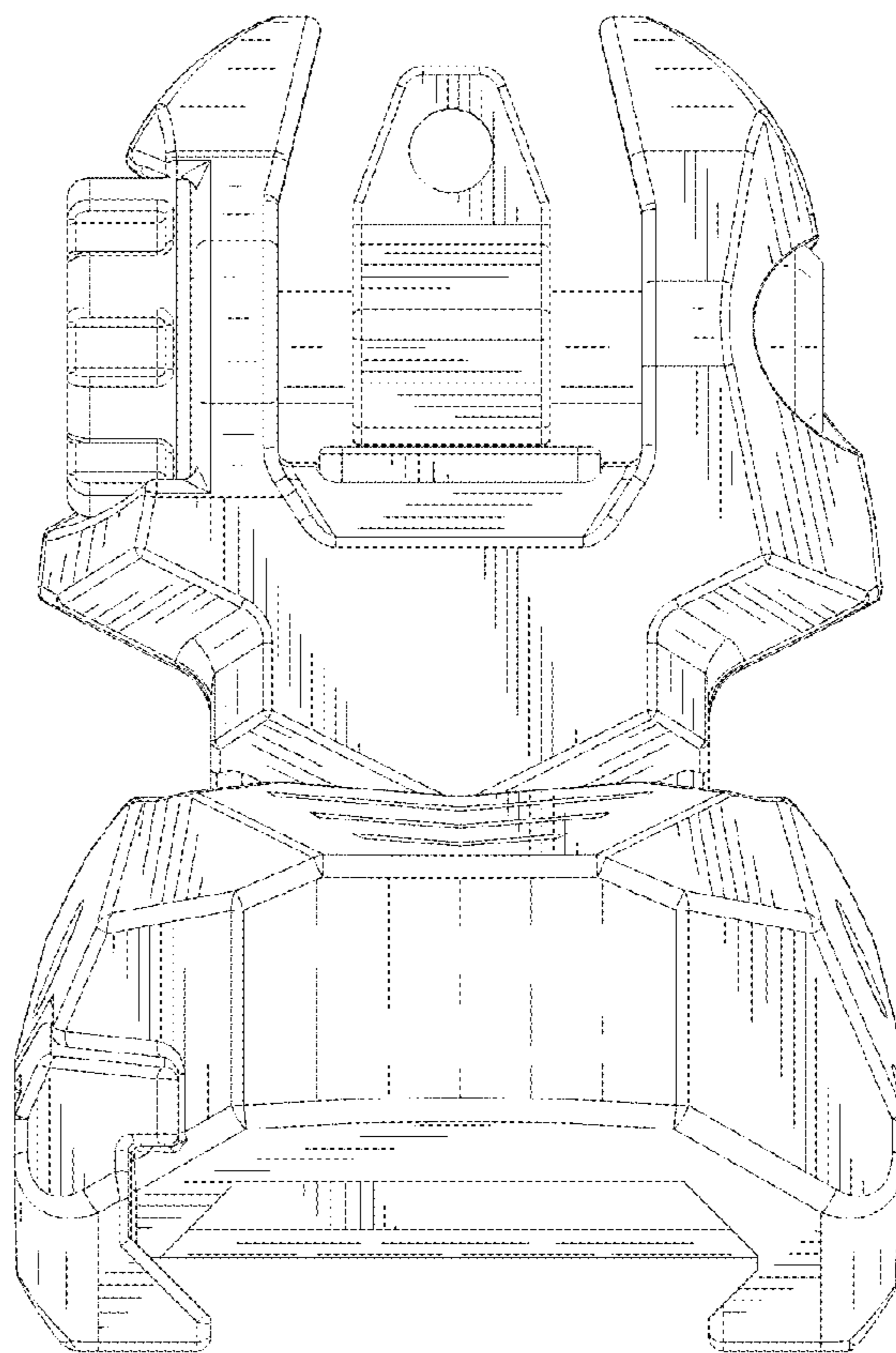


FIG. 4

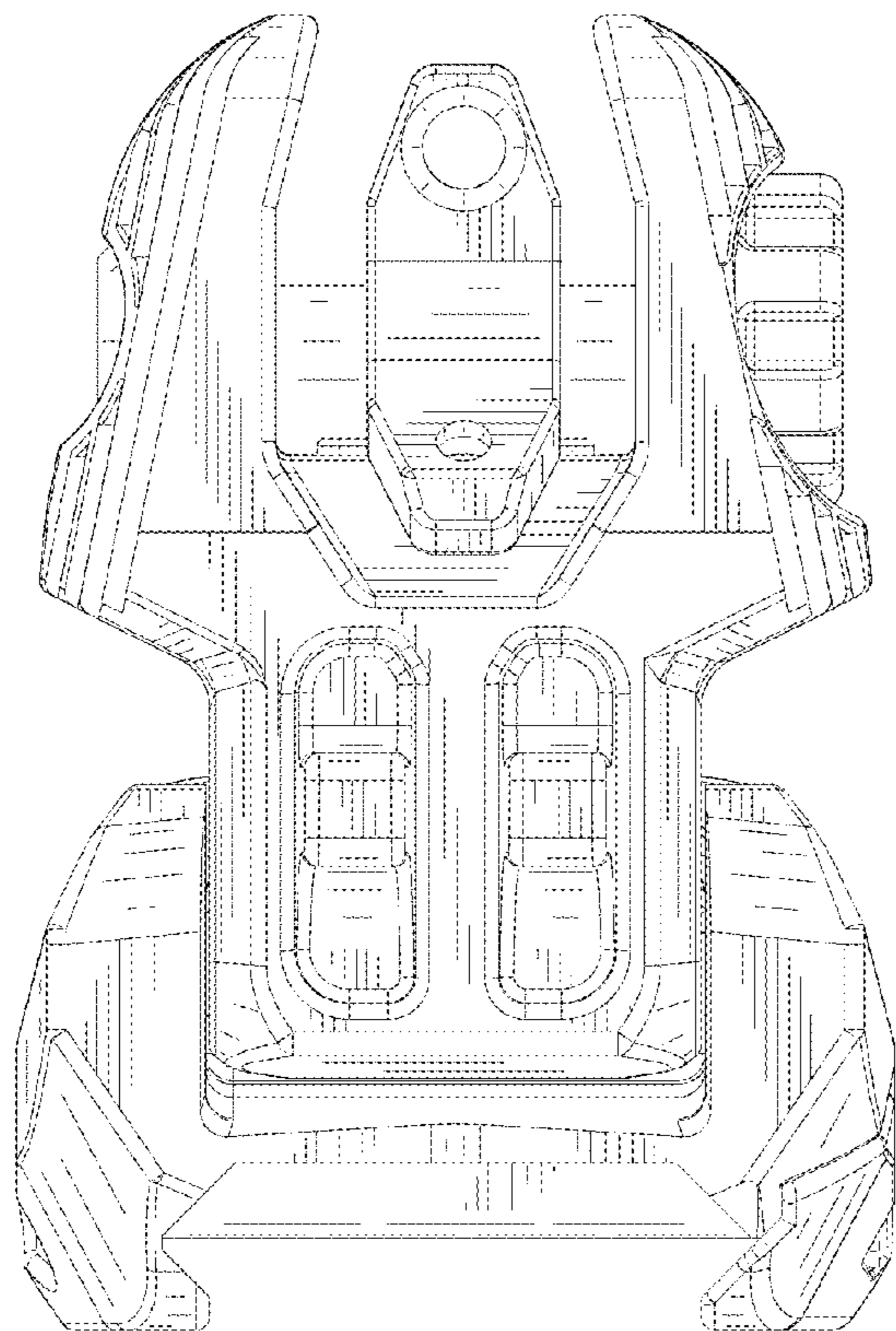


FIG. 5

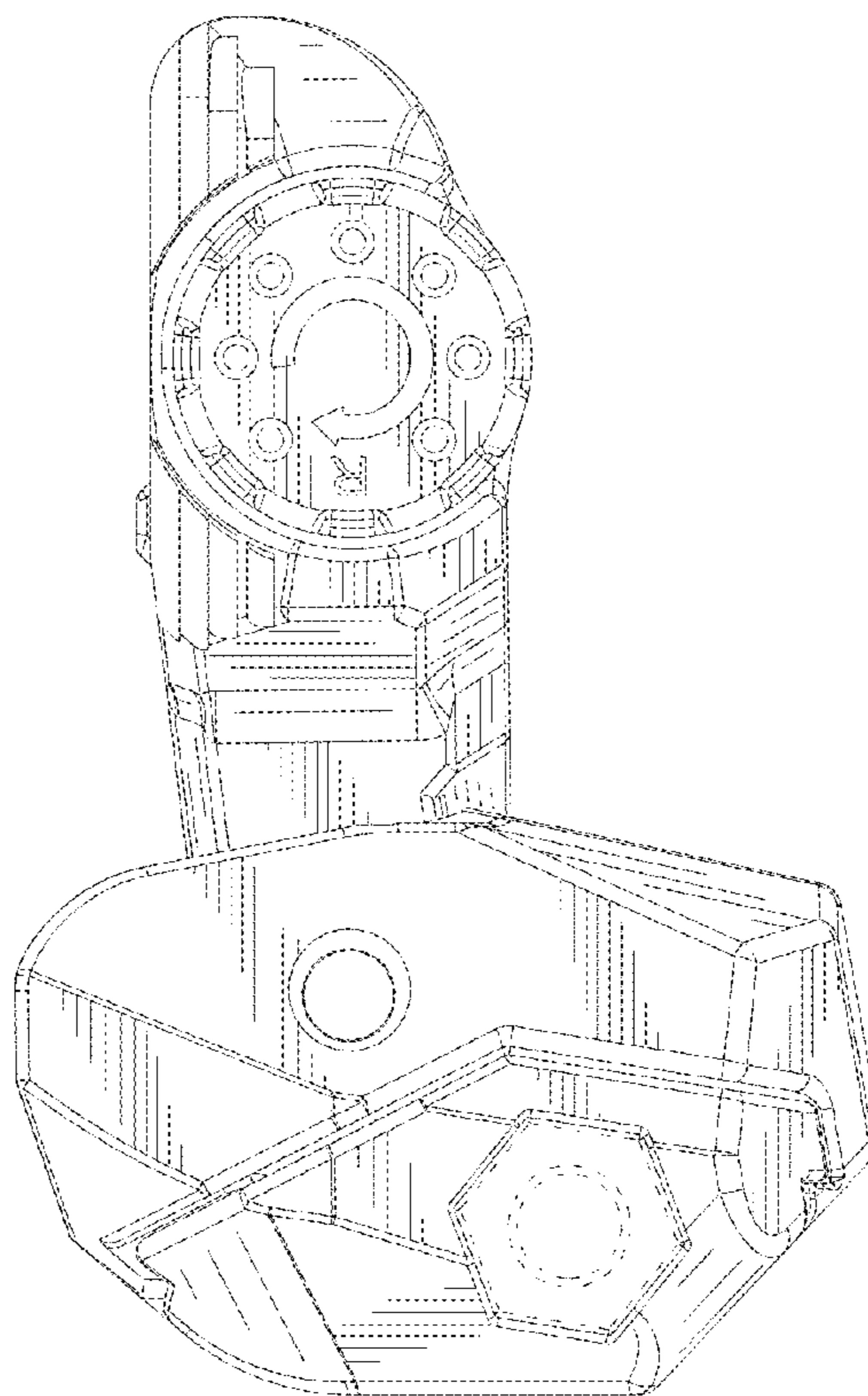


FIG. 6

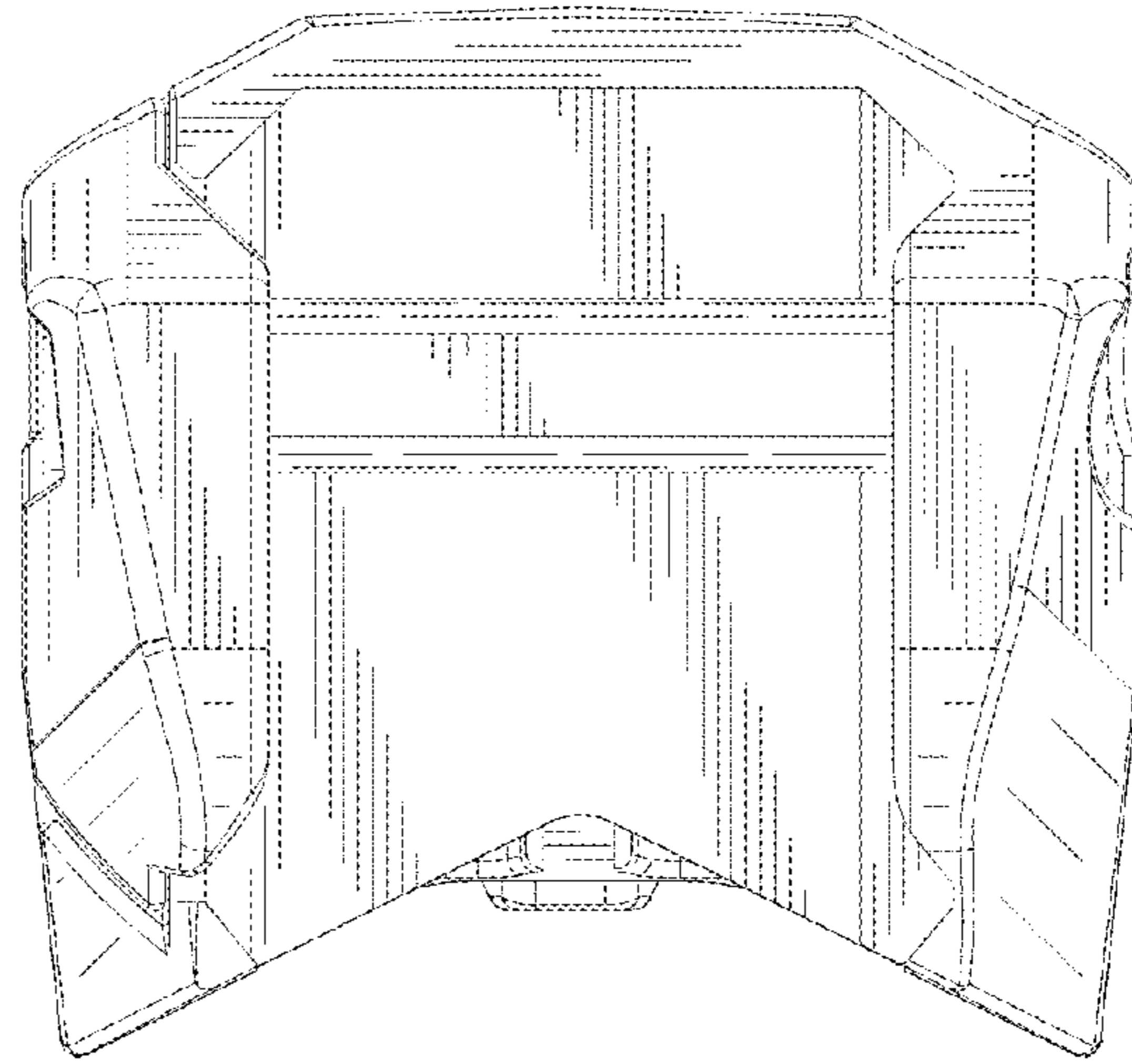
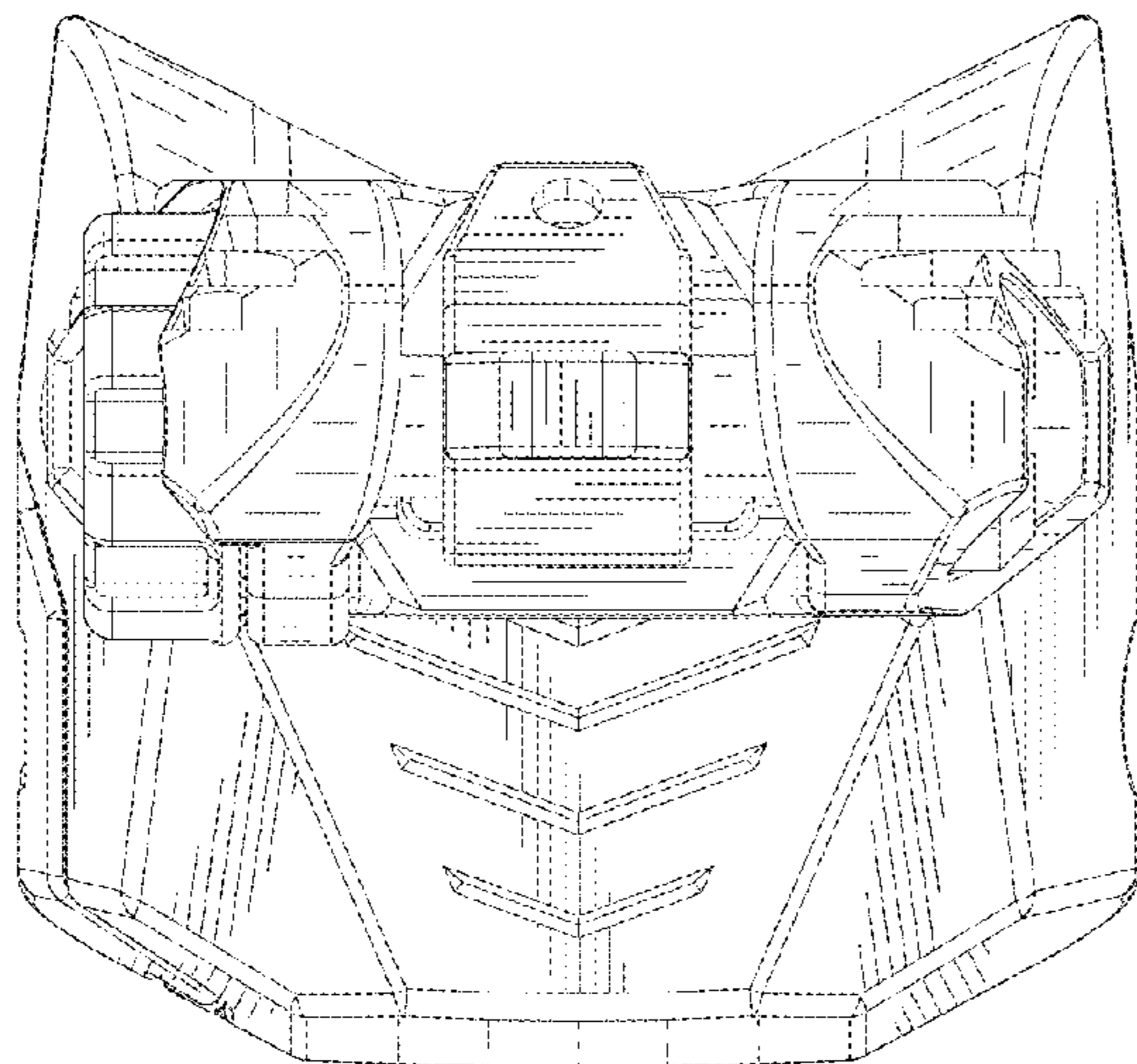


FIG. 8

FIG. 7



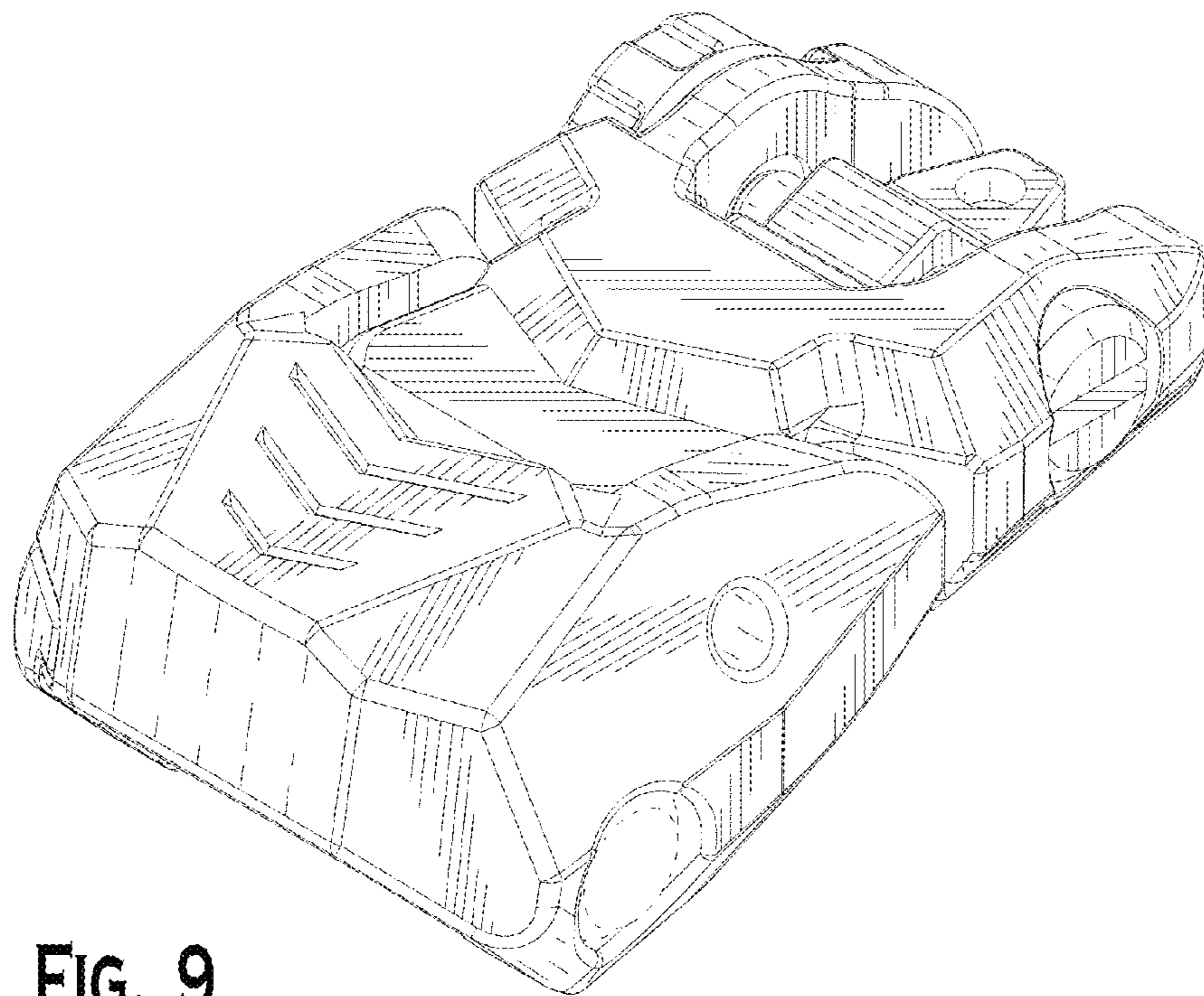


FIG. 9

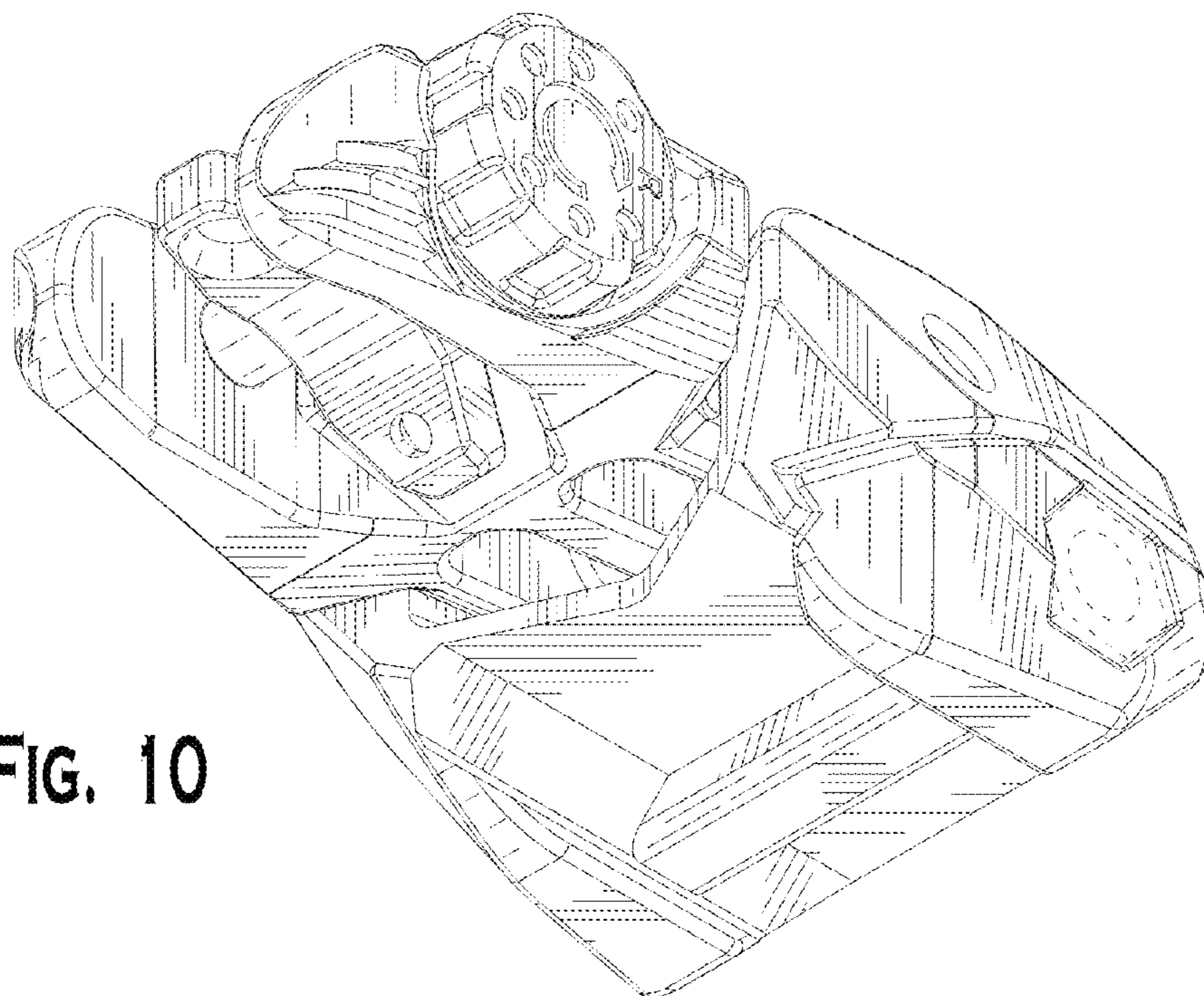


FIG. 10

FIG. 11

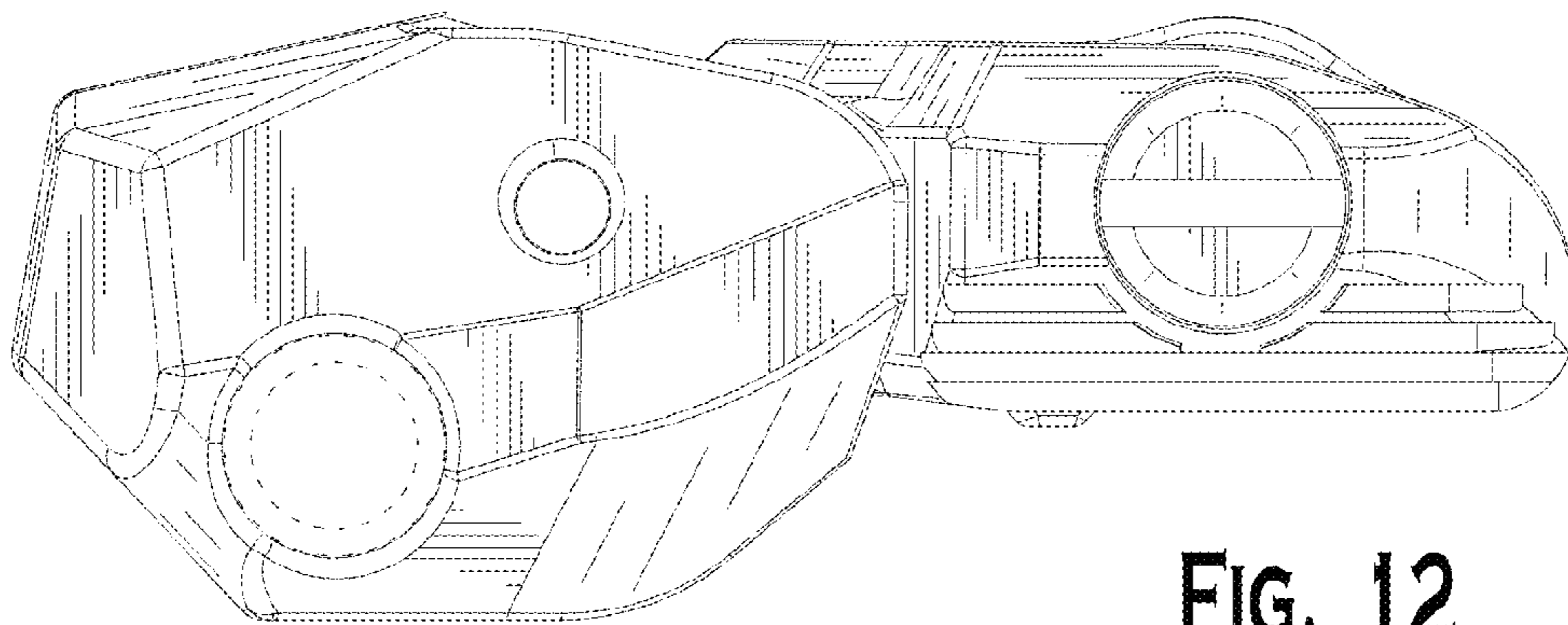
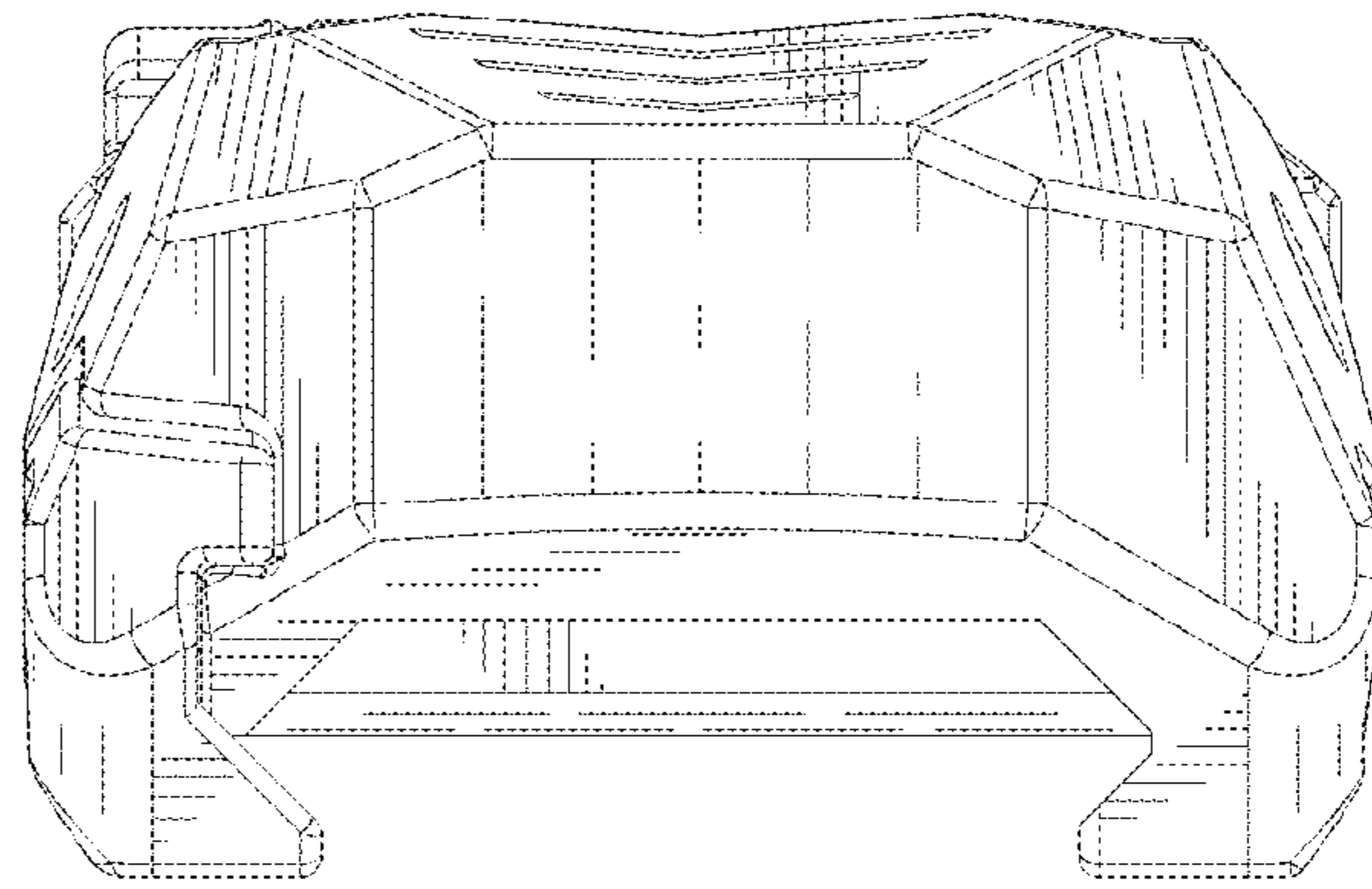


FIG. 12



FIG. 13

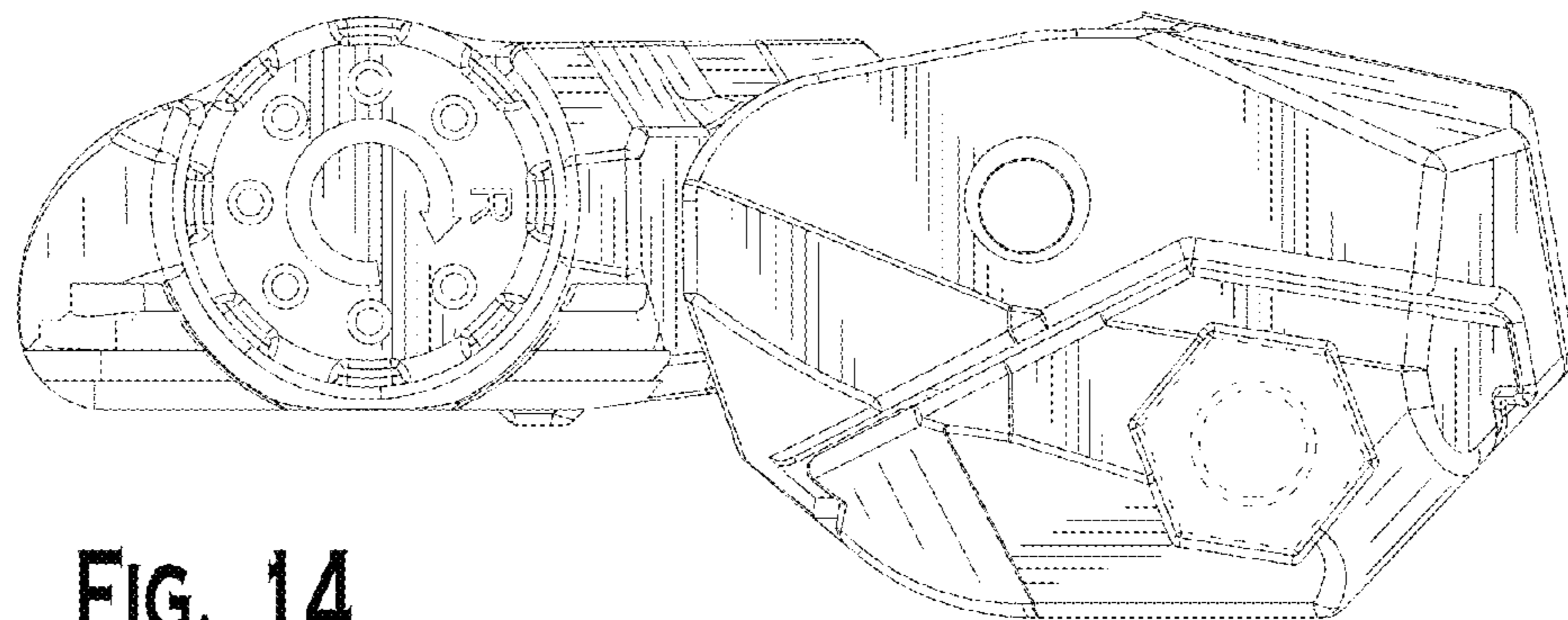
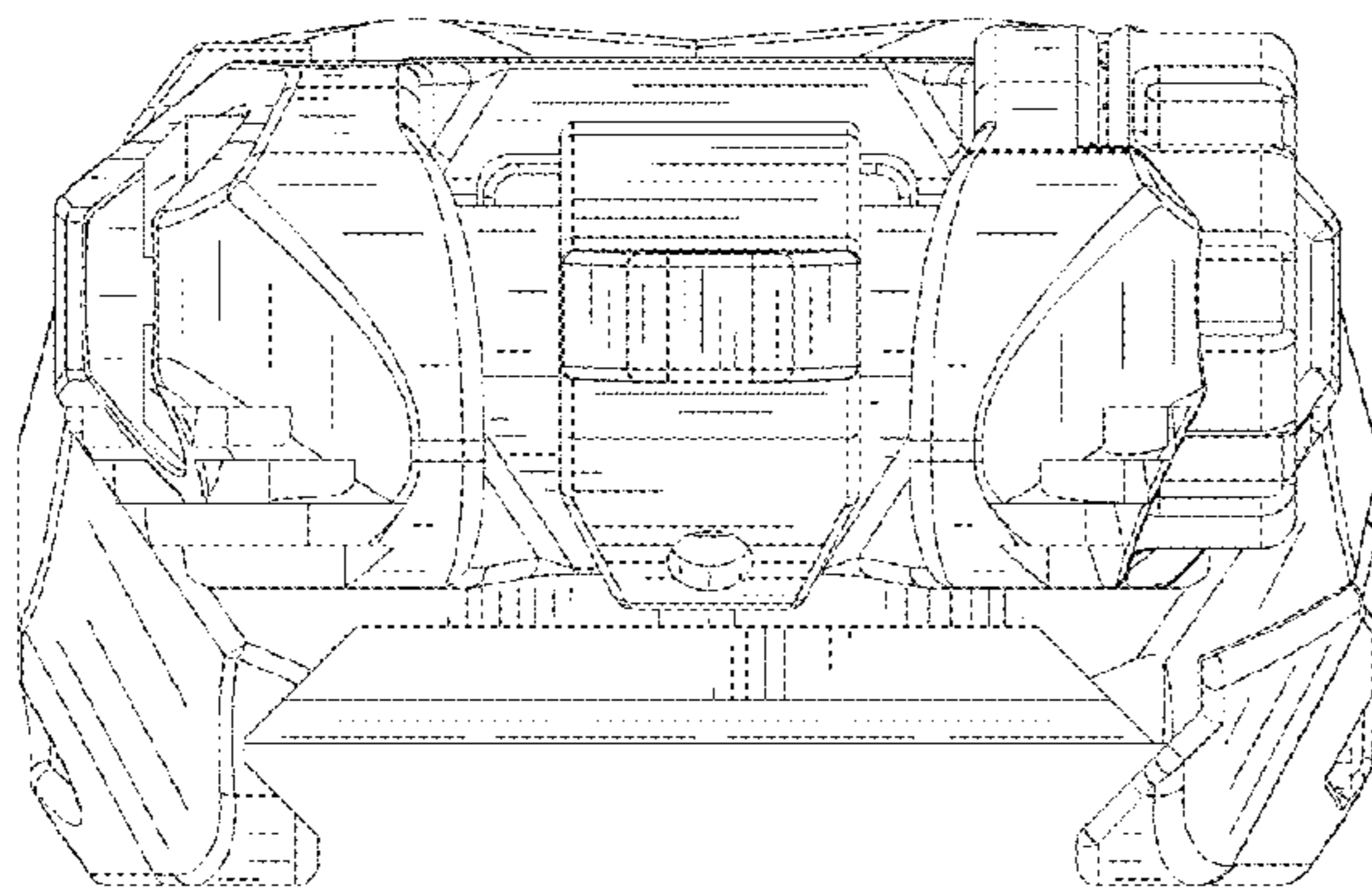


FIG. 14

FIG. 15

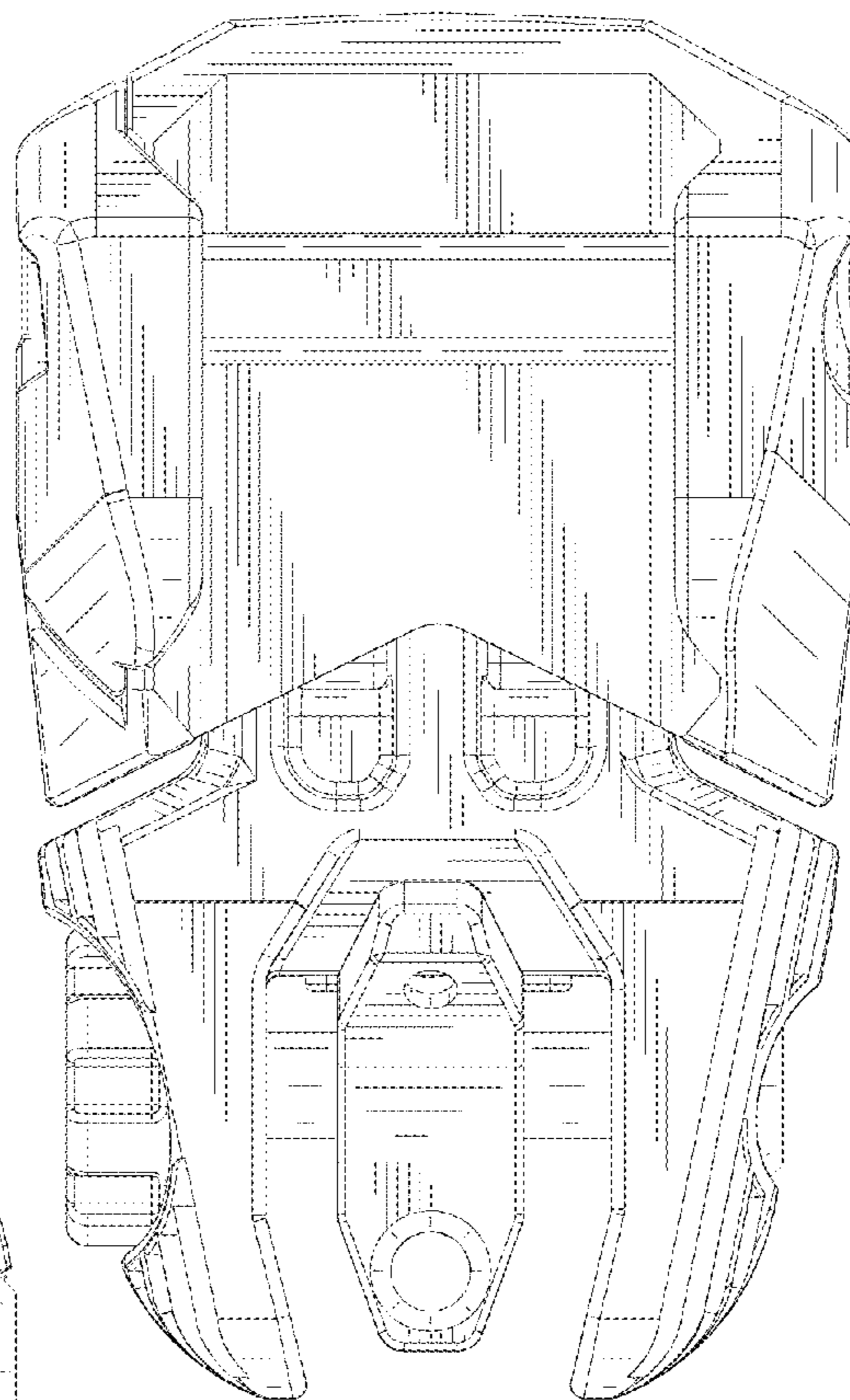
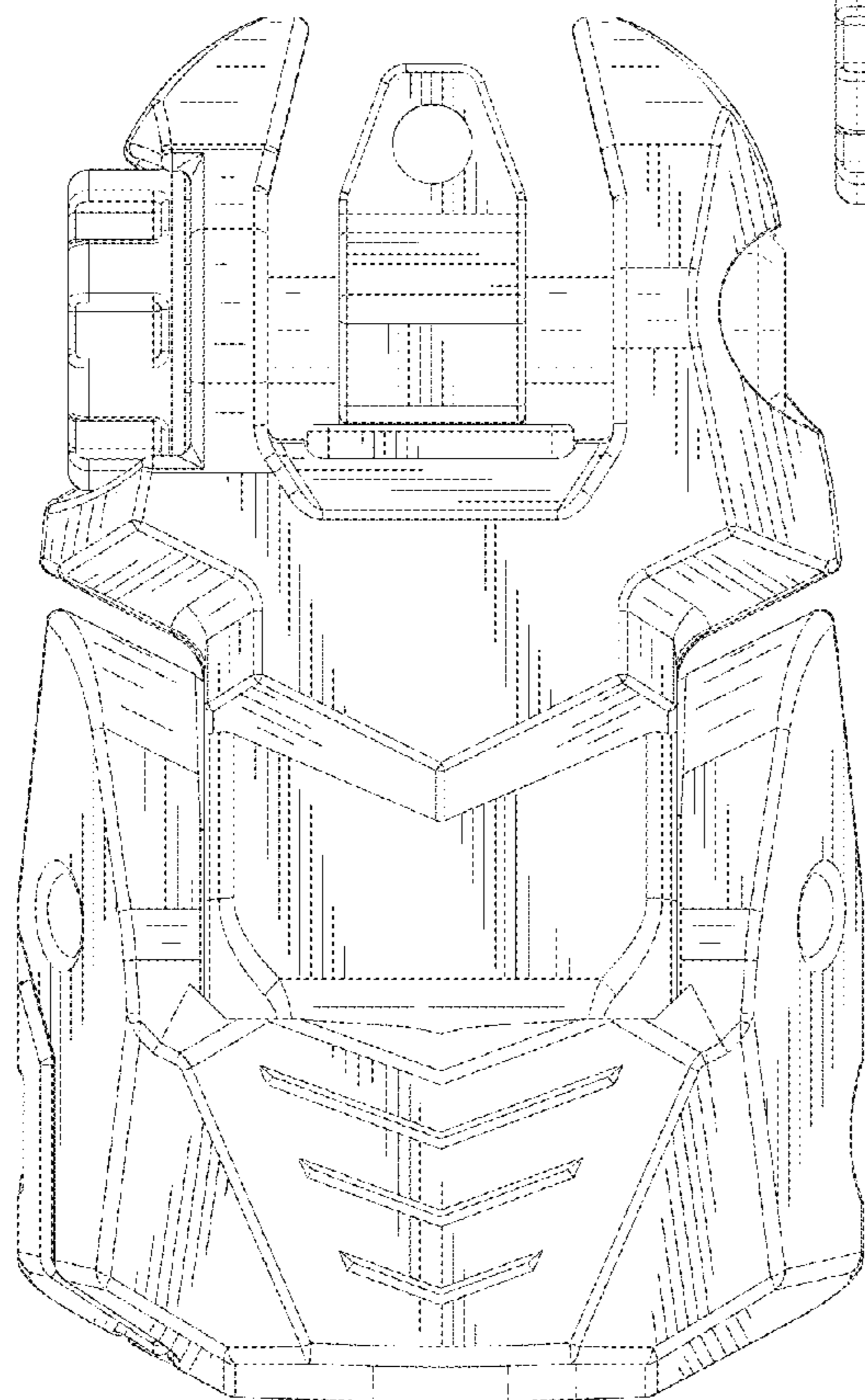


FIG. 16