



US00D720827S

(12) **United States Design Patent**
Hiroki

(10) **Patent No.:** **US D720,827 S**
(45) **Date of Patent:** **** Jan. 6, 2015**

- (54) **GOLF TRAINING AID**
- (71) Applicant: **Callaway Golf Company**, Carlsbad, CA (US)
- (72) Inventor: **Terakado Hiroki**, Tokyo (JP)
- (73) Assignee: **Callaway Golf Company**, Carlsbad, CA (US)
- (**) Term: **14 Years**
- (21) Appl. No.: **29/482,090**
- (22) Filed: **Feb. 13, 2014**
- (51) **LOC (10) Cl.** **21-02**
- (52) **U.S. Cl.**
USPC **D21/791**
- (58) **Field of Classification Search**
USPC D21/789, 791; 473/257-262, 219, 270, 473/229, 221, 265, 173, 278
See application file for complete search history.

D558,849 S *	1/2008	Taira et al.	D21/791
D632,749 S *	2/2011	Montgomery	D21/791
D635,214 S *	3/2011	Johansen	D21/791
D672,001 S *	12/2012	Whitfield	D21/791
D697,158 S *	1/2014	Wilkie	D21/791

FOREIGN PATENT DOCUMENTS

JP	1474019	12/2012
JP	1482650	3/2013

* cited by examiner

Primary Examiner — Mitchell Siegel

(74) *Attorney, Agent, or Firm* — Rebecca Hanovice; Michael A. Catania; Sonia Lari

(57) **CLAIM**

The ornamental design for a golf training aid, as shown and described.

DESCRIPTION

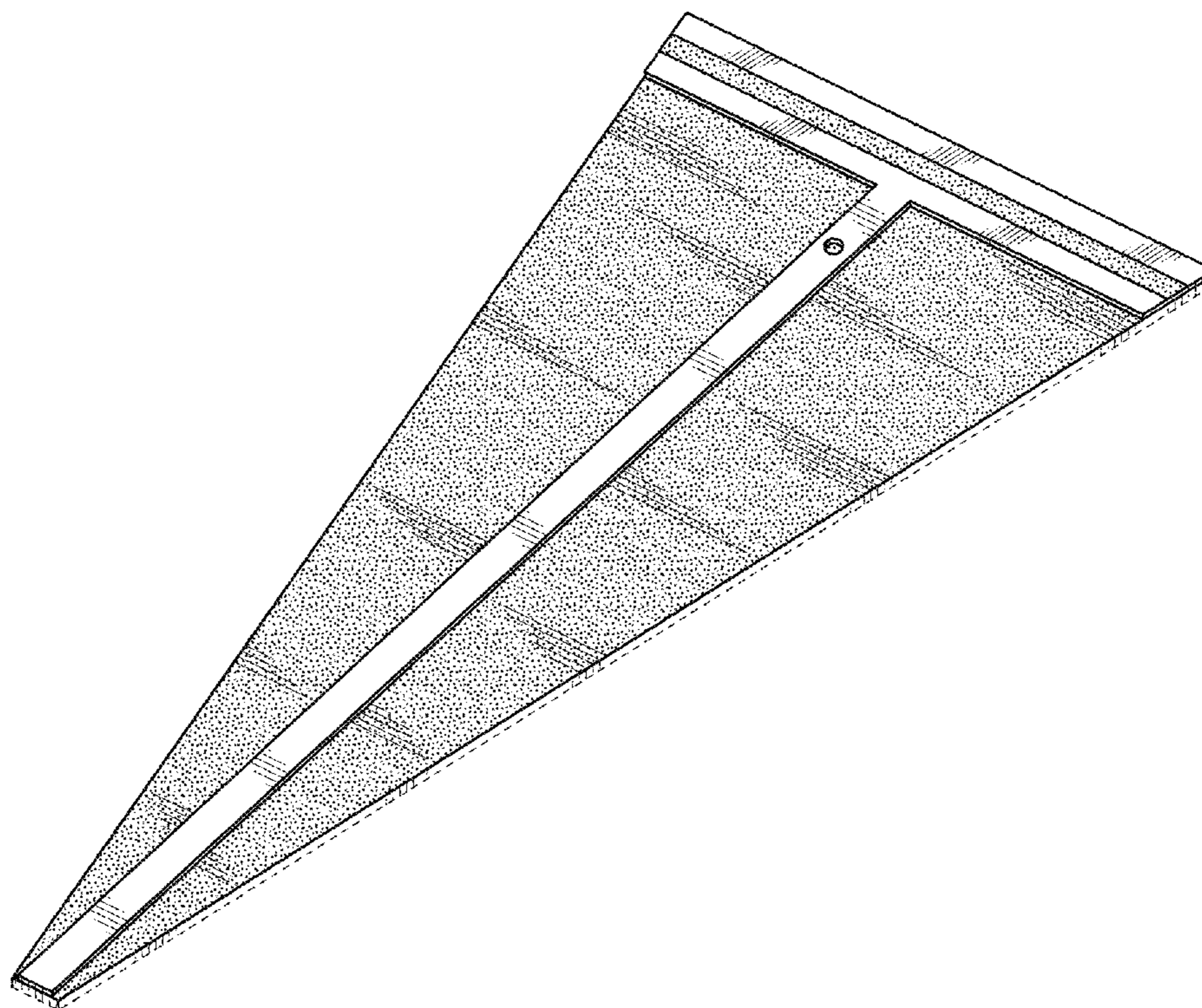
FIG. 1 is a top perspective view of a golf training aid as claimed herein;
 FIG. 2 is a top plan view thereof;
 FIG. 3 is a bottom plan view thereof;
 FIG. 4 is a right side elevational view thereof;
 FIG. 5 is a left side elevational view thereof;
 FIG. 6 is an end view thereof; and,
 FIG. 7 is an opposite end view thereof.
 The broken lines in the drawings illustrate unclaimed features of the golf training aid claimed herein.

1 Claim, 3 Drawing Sheets

(56) **References Cited**

U.S. PATENT DOCUMENTS

D191,521 S *	10/1961	Baker	D21/790
D199,127 S *	9/1964	Nelson	D21/791
D354,107 S *	1/1995	Kueng et al.	D21/791
D369,846 S *	5/1996	Jones	D21/791
D384,385 S *	9/1997	Farage	D21/791
D387,836 S *	12/1997	Farnsworth	D21/791
D461,517 S *	8/2002	Morgan et al.	D21/791



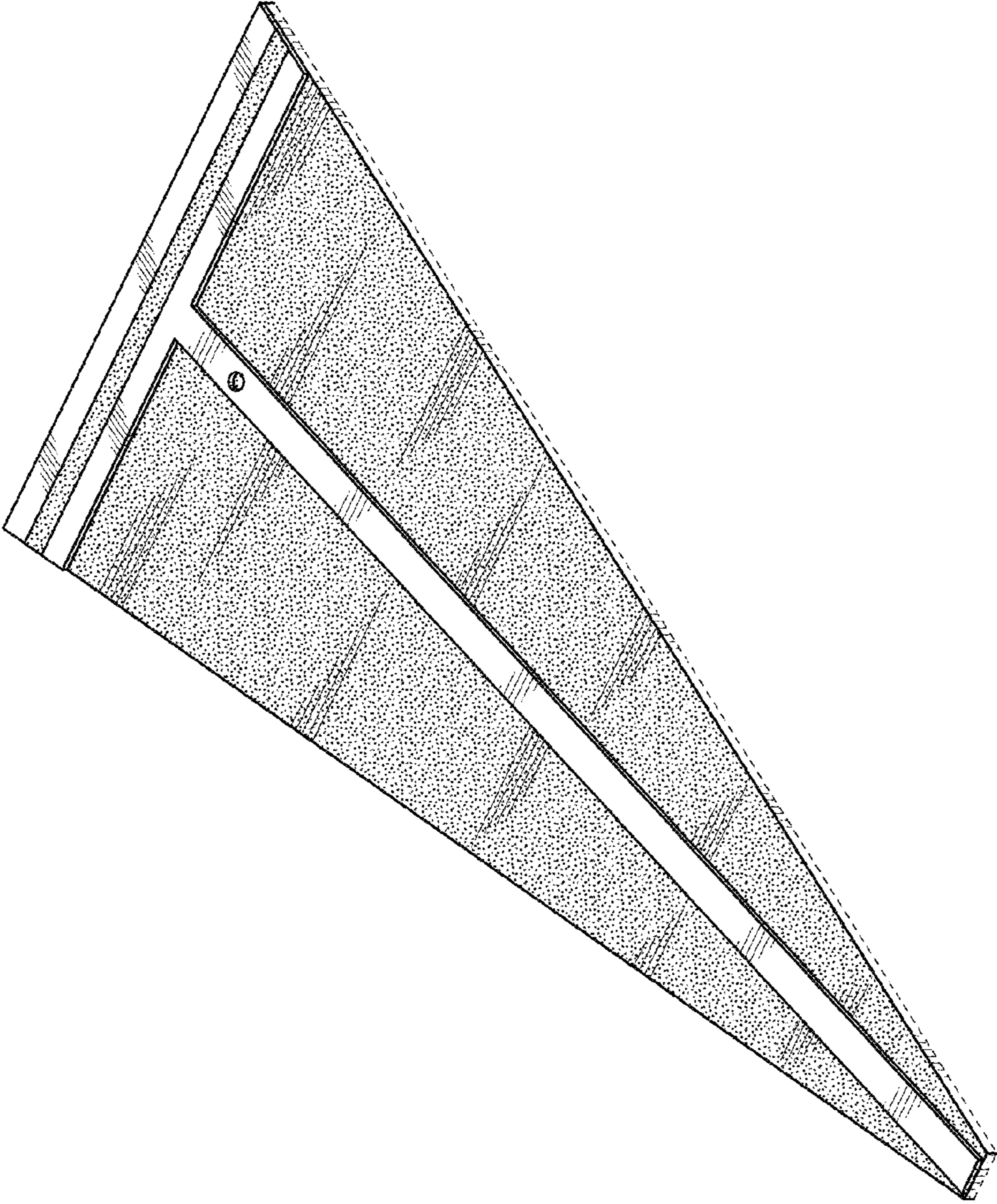


FIG. 1

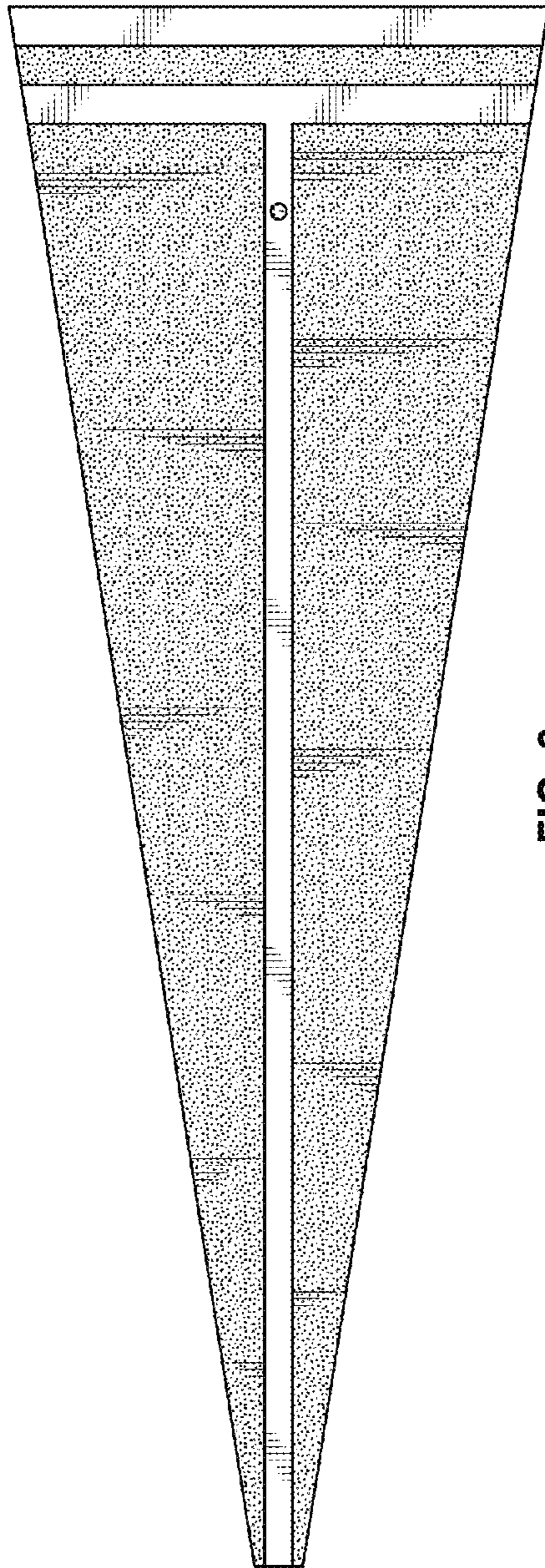


FIG. 2

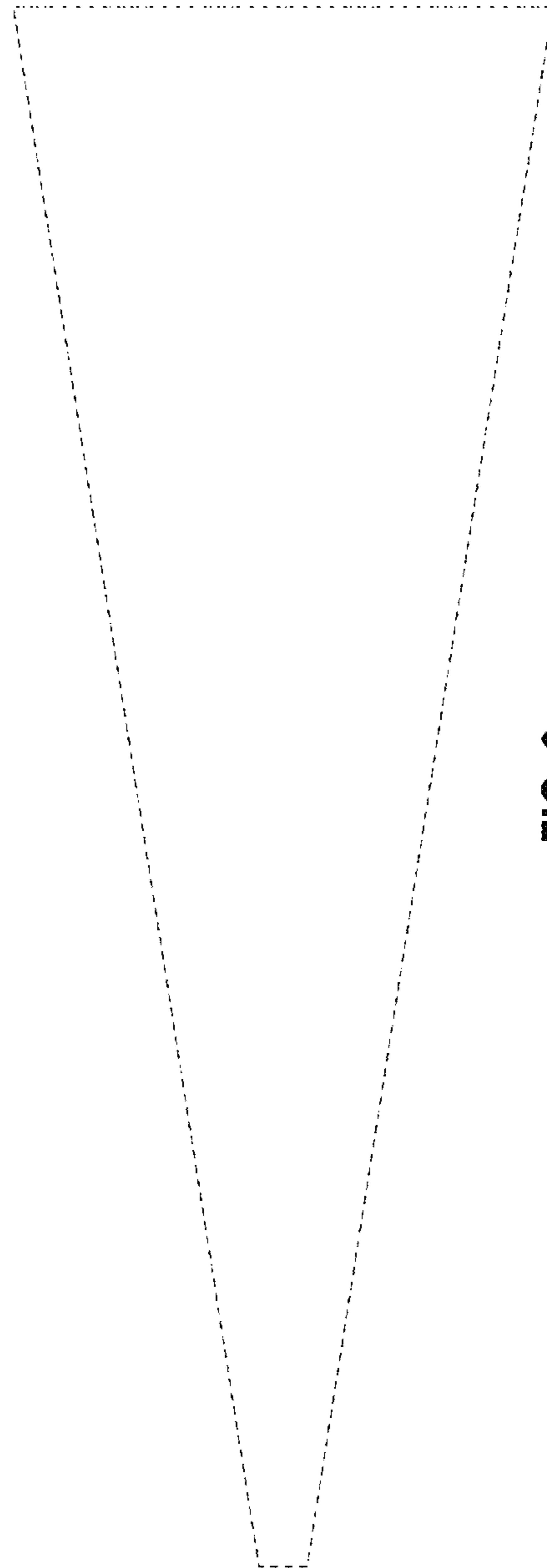


FIG. 3

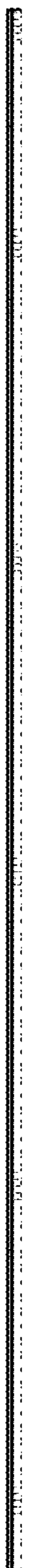


FIG. 4

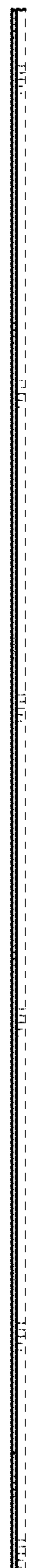


FIG. 5

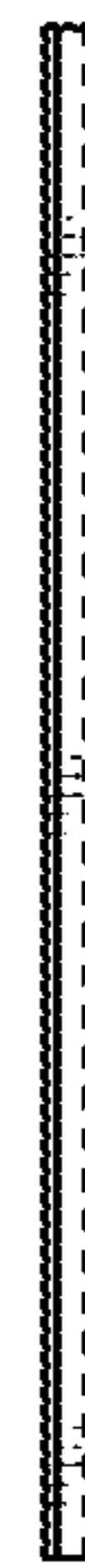


FIG. 7



FIG. 6