



US00D720820S

(12) **United States Design Patent**
Kuo

(10) **Patent No.:** **US D720,820 S**
(45) **Date of Patent:** **** Jan. 6, 2015**

(54) **MUSCLE DEVELOPMENT DEVICE**
(71) Applicant: **Sports Art Industrial Co., Ltd.**, Tainan (TW)
(72) Inventor: **Hai-Pin Kuo**, Tainan (TW)
(73) Assignee: **Sports Art Industrial Co., Ltd.**, Tainan (TW)

D480,773 S * 10/2003 Suchanek et al. D21/694
D519,586 S * 4/2006 Schulz et al. D21/691
D526,692 S * 8/2006 Ayton D21/686
D571,872 S * 6/2008 Batca D21/691
D606,135 S * 12/2009 Grider D21/694
D617,855 S * 6/2010 Leier D21/691
D660,383 S * 5/2012 Watterson et al. D21/689

* cited by examiner

Primary Examiner — Phillip S Hyder

(**) Term: **14 Years**
(21) Appl. No.: **29/444,323**

(22) Filed: **Jan. 29, 2013**

(51) **LOC (10) Cl.** **21-02**

(52) **U.S. Cl.**
USPC **D21/694**; D21/691; D21/686

(58) **Field of Classification Search**
CPC A63B 21/04; A63B 21/06; A63B 21/062
USPC D21/662, 673, 674, 675, 676, 691, 694;
D8/349, 354; 482/934, 94, 95, 96, 101,
482/133, 134, 135
See application file for complete search history.

(56) **References Cited**

U.S. PATENT DOCUMENTS

D437,371 S * 2/2001 Webber et al. D21/694
D438,267 S * 2/2001 Webber et al. D21/694

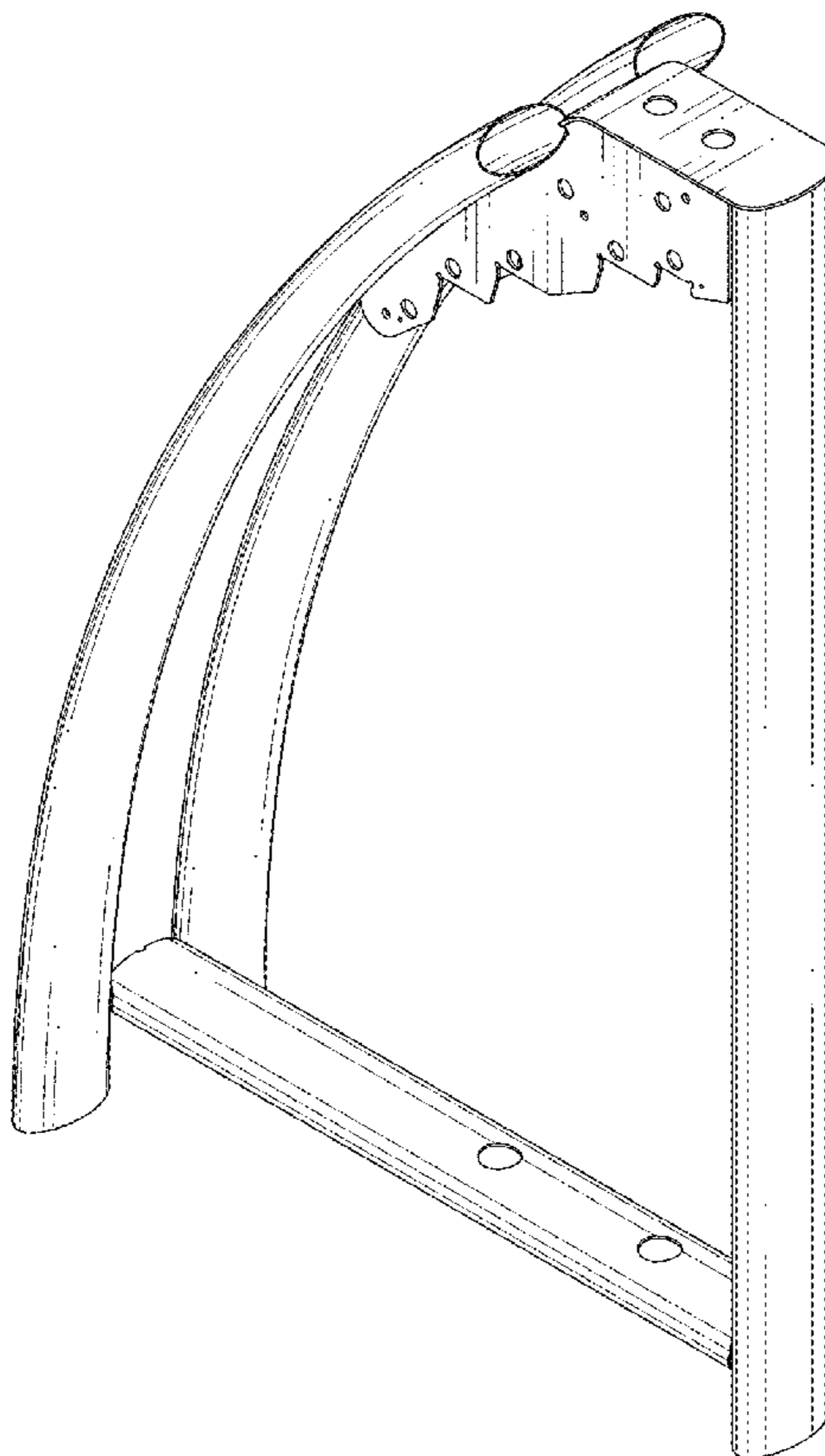
(57) **CLAIM**

The ornamental design for a muscle development device, as shown and described.

DESCRIPTION

FIG. 1 is a perspective view of a muscle development device showing my new design thereof;
FIG. 2 is a front elevational view thereof;
FIG. 3 is a rear elevational view thereof;
FIG. 4 is a left side elevational view thereof;
FIG. 5 is a right side elevational view thereof;
FIG. 6 is a top plan view thereof;
FIG. 7 is a bottom plan view thereof; and,
FIG. 8 is another perspective view of a muscle development device of FIG. 1.

1 Claim, 8 Drawing Sheets



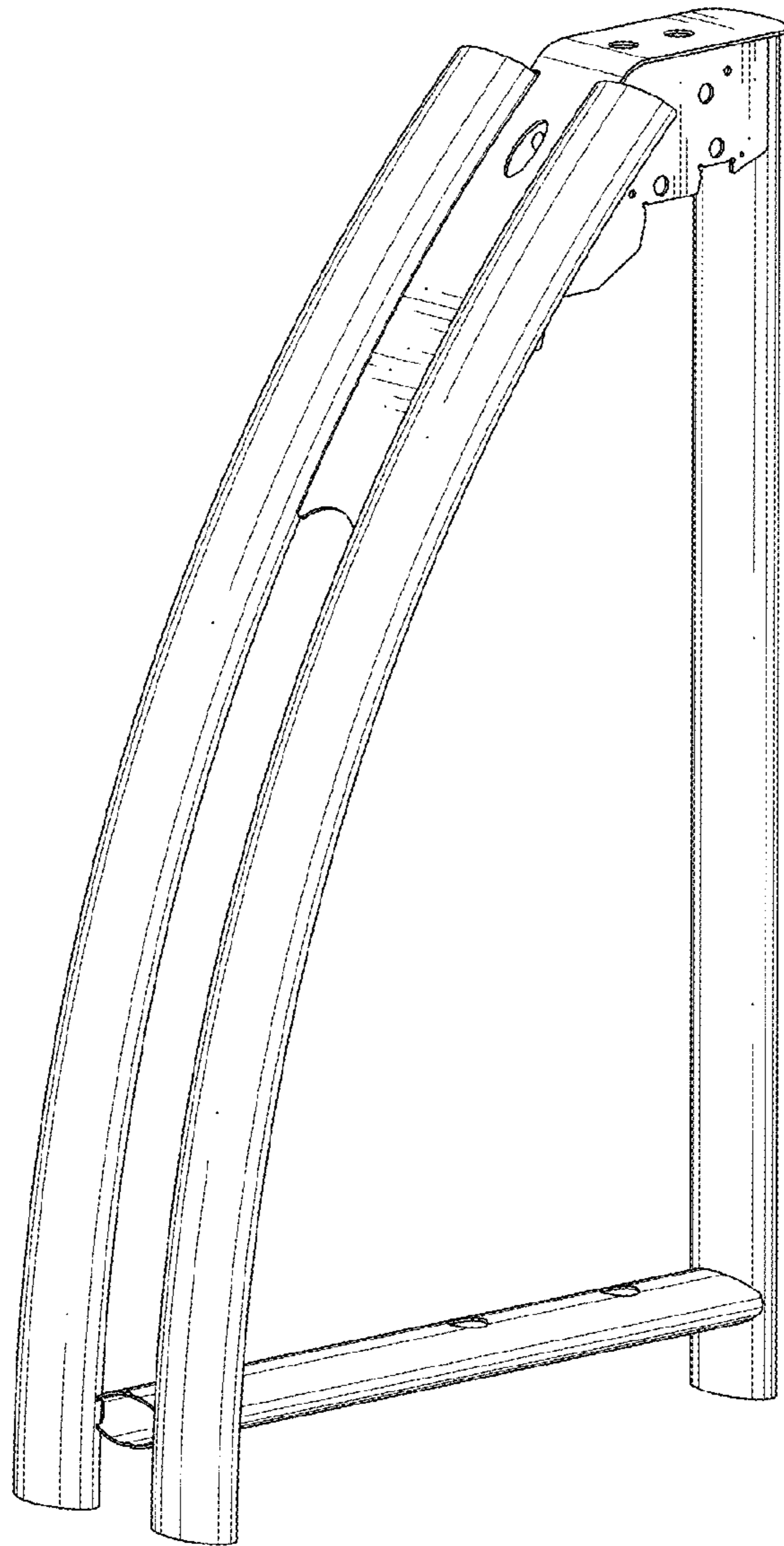


FIG. 1

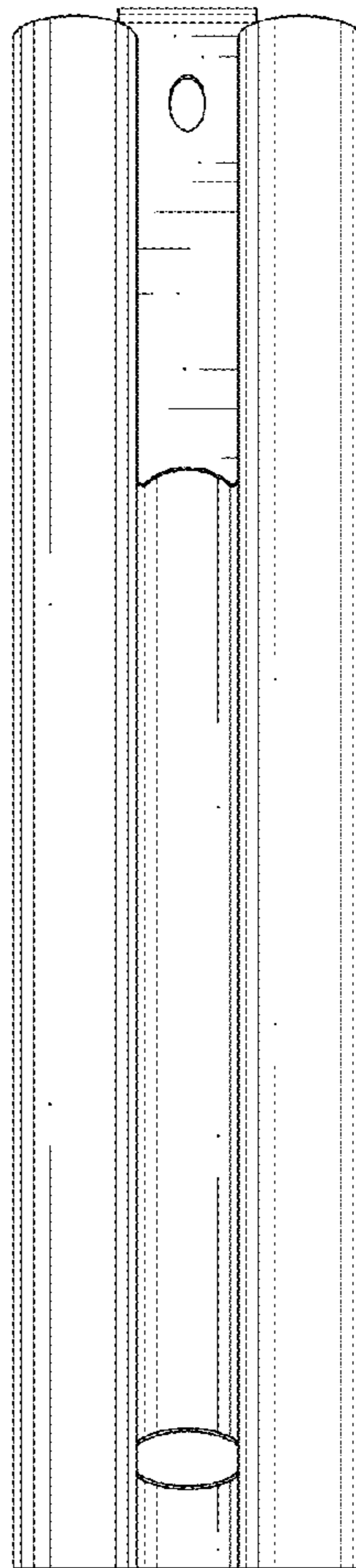


FIG. 2

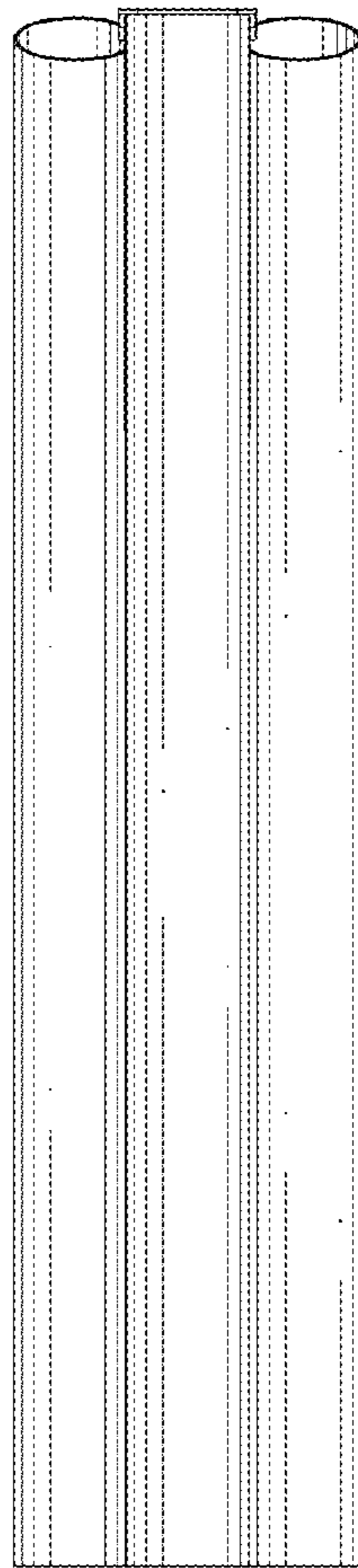


FIG. 3

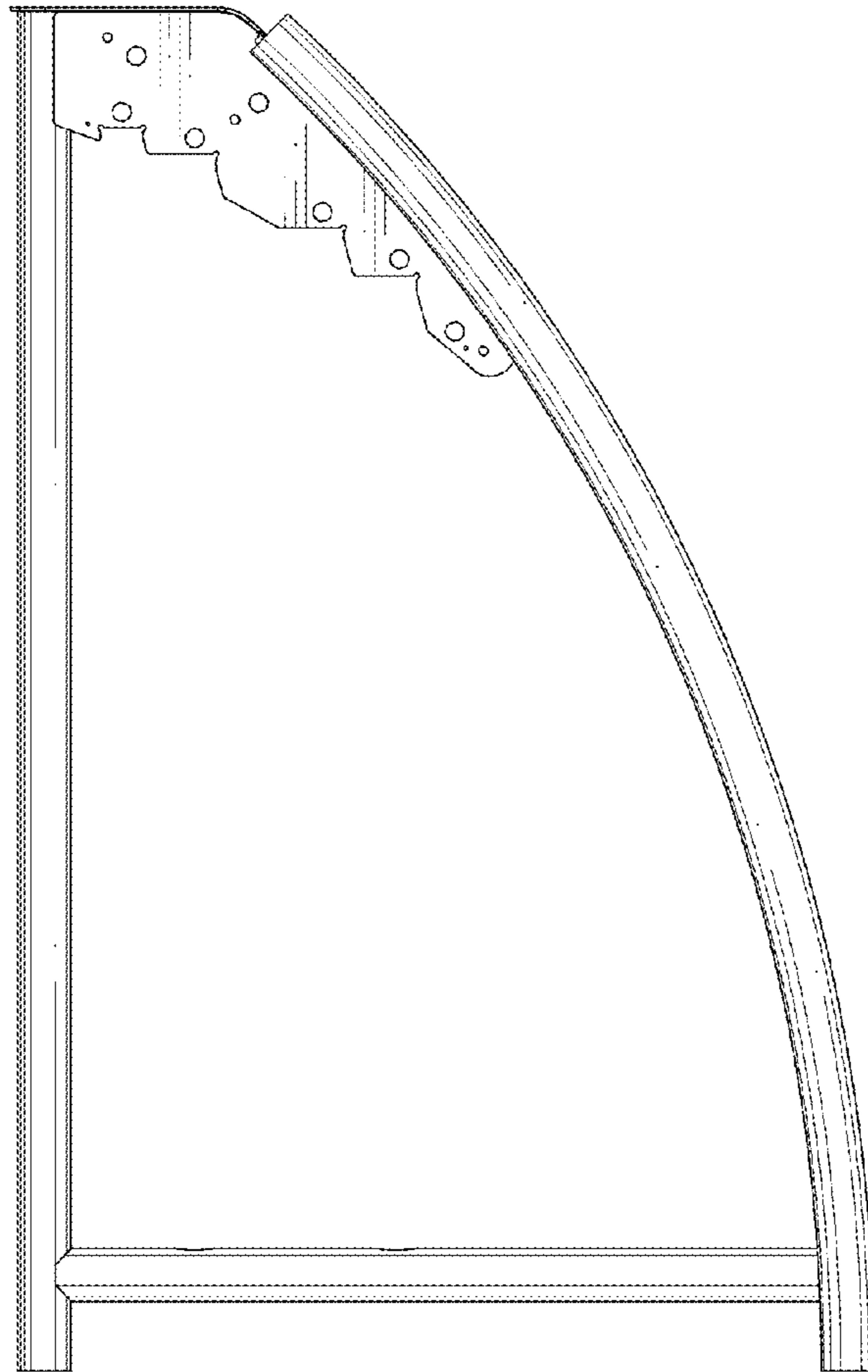


FIG. 4

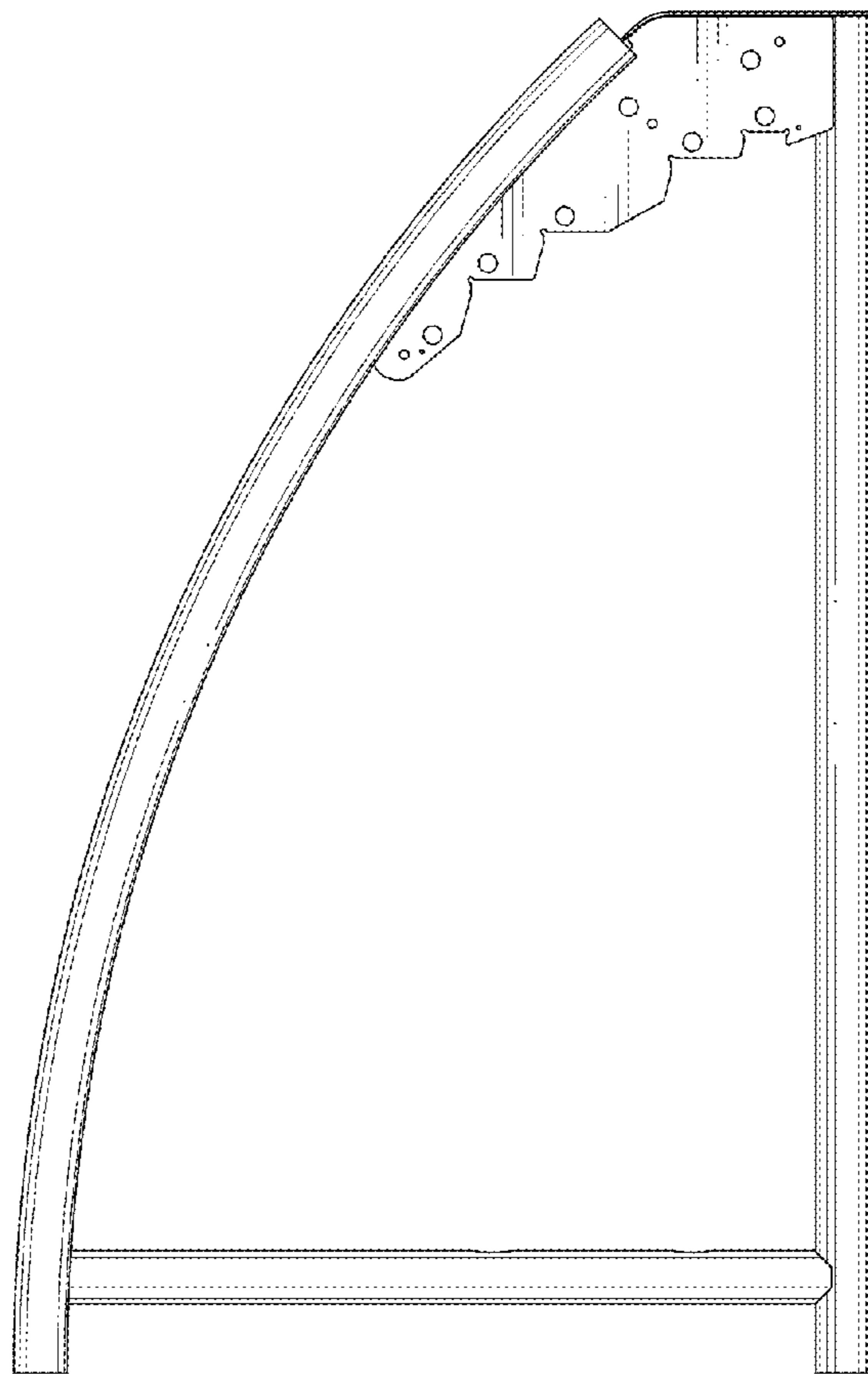


FIG. 5

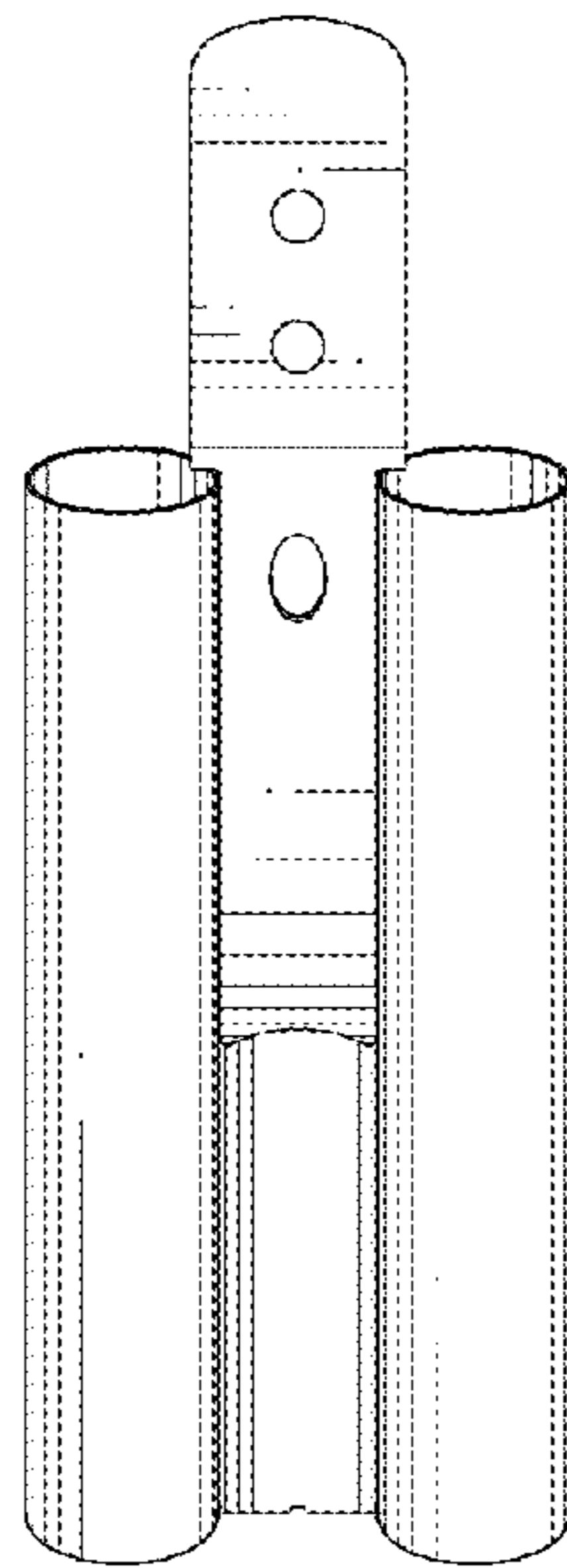


FIG. 6

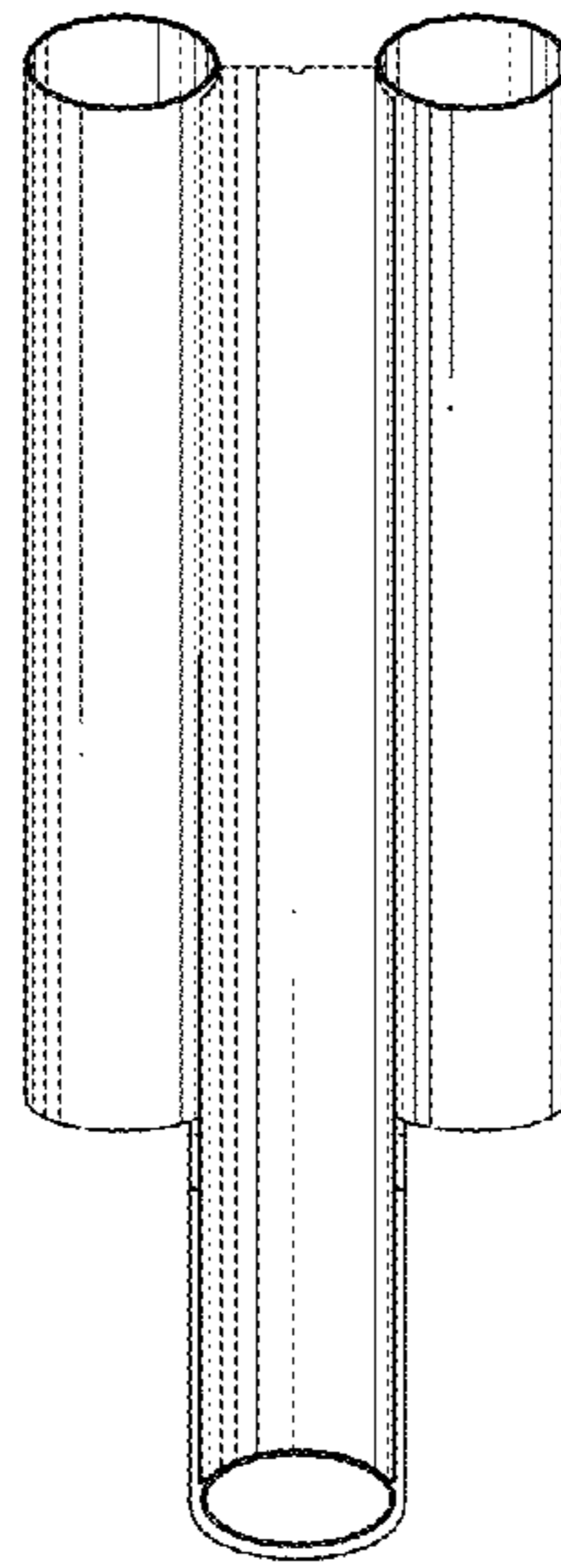


FIG. 7

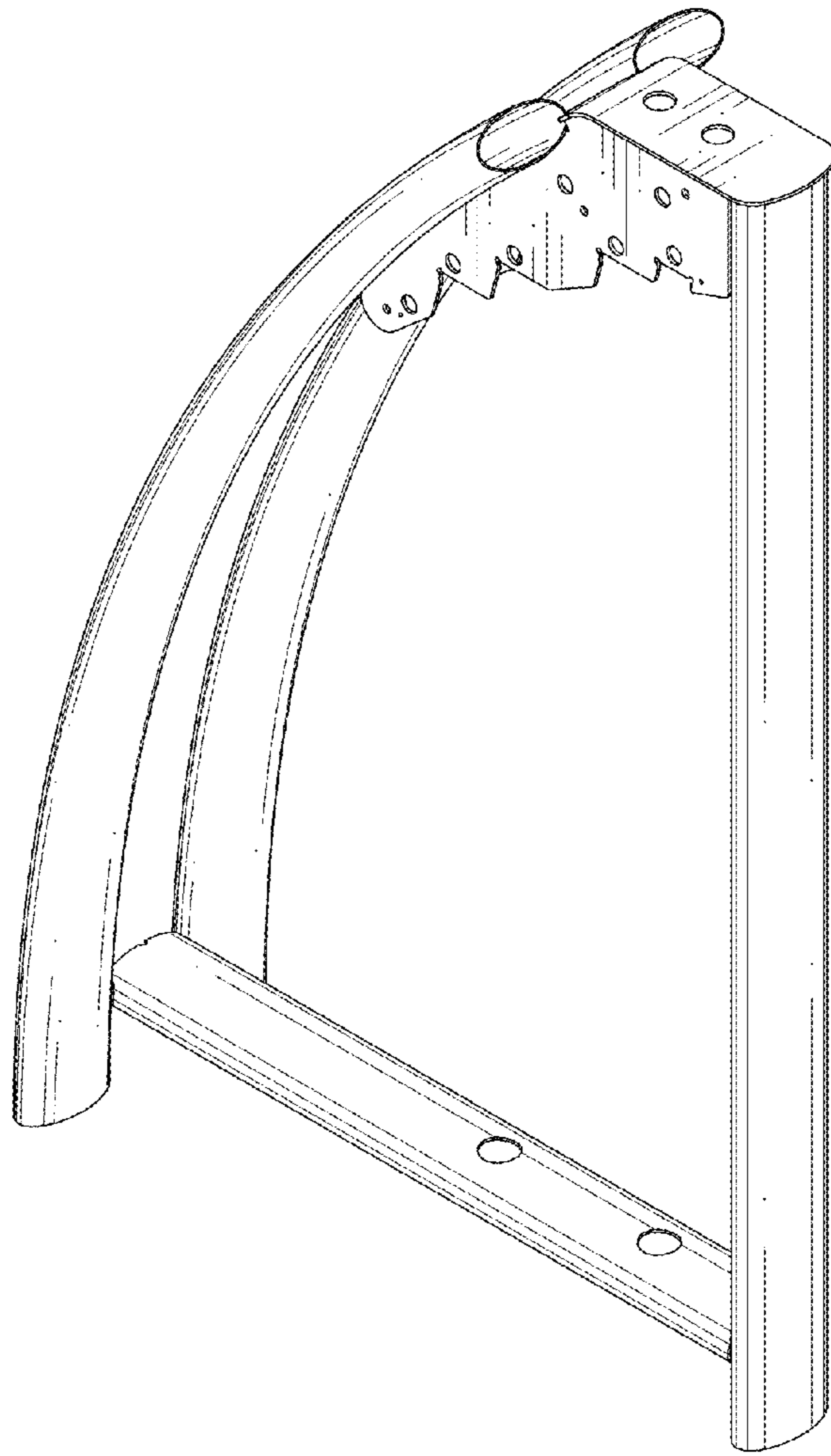


FIG. 8