



US00D720819S

(12) **United States Design Patent**
Prats et al.

(10) **Patent No.:** **US D720,819 S**
(45) **Date of Patent:** **** Jan. 6, 2015**

- (54) **EXERCISER DEVICE**
- (75) Inventors: **Jorge Prats**, River Edge, NJ (US); **Alex Guapacha Lozano**, Taipei (TW)
- (73) Assignee: **Tristar Products, Inc.**, Fairfield, NJ (US)
- (**) Term: **14 Years**
- (21) Appl. No.: **29/429,872**
- (22) Filed: **Aug. 17, 2012**
- (51) **LOC (10) Cl.** **21-02**
- (52) **U.S. Cl.**
USPC **D21/670**
- (58) **Field of Classification Search**
USPC D21/662, 668, 669, 670, 671; 482/51, 482/52, 53, 79, 80, 146
See application file for complete search history.

- D496,700 S * 9/2004 Chen D21/670
- D514,635 S * 2/2006 Hsiao D21/670
- D561,849 S * 2/2008 Piaget et al. D21/670
- D639,872 S * 6/2011 Chiang D21/670
- 8,246,522 B2* 8/2012 Piaget et al. 482/53

* cited by examiner

Primary Examiner — Phillip S Hyder
(74) *Attorney, Agent, or Firm* — Leo Stanger

(57) **CLAIM**
The ornamental design for an exerciser device, as shown.

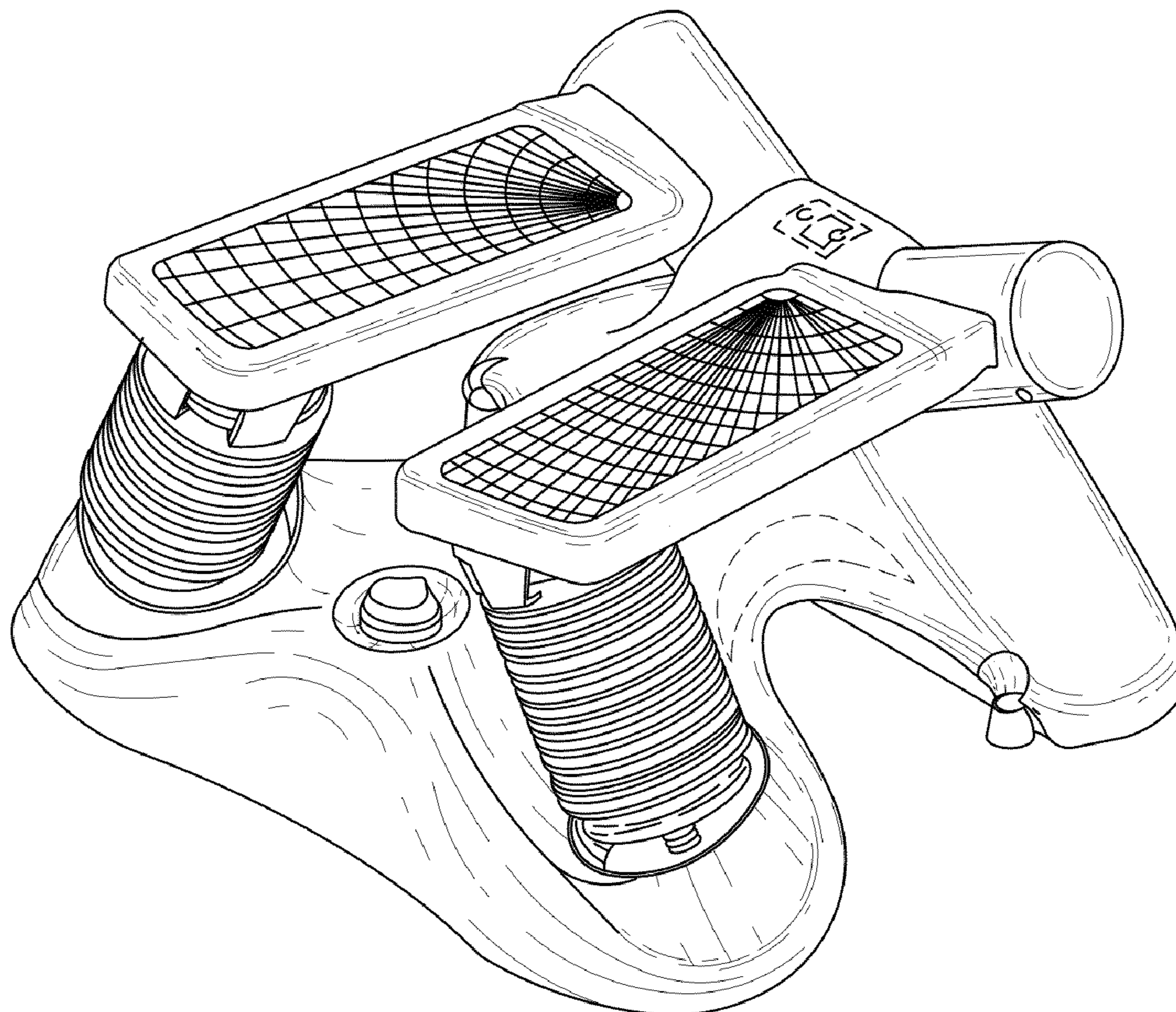
DESCRIPTION

FIG. 1 is a rear elevational view of exerciser device showing my design;
 FIG. 2 is a front elevational view of exerciser device showing my design;
 FIG. 3 is a top plan view thereof;
 FIG. 4 is a bottom plan view thereof;
 FIG. 5 is a right side elevational view thereof;
 FIG. 6 is a left side elevational view thereof;
 FIG. 7 is a top perspective view thereof; and,
 FIG. 8 is a bottom perspective view thereof.

The broken lines depict portions of the exercise device in which the design is embodied that are not considered part of the claimed design.

- (56) **References Cited**
U.S. PATENT DOCUMENTS
- D348,708 S * 7/1994 Chen D21/670
- D456,052 S * 4/2002 Steves D21/670
- D461,211 S * 8/2002 Kuo D21/670
- D465,001 S * 10/2002 Chiang-Chow D21/670
- D481,085 S * 10/2003 Ben-Moshe D21/670

1 Claim, 5 Drawing Sheets



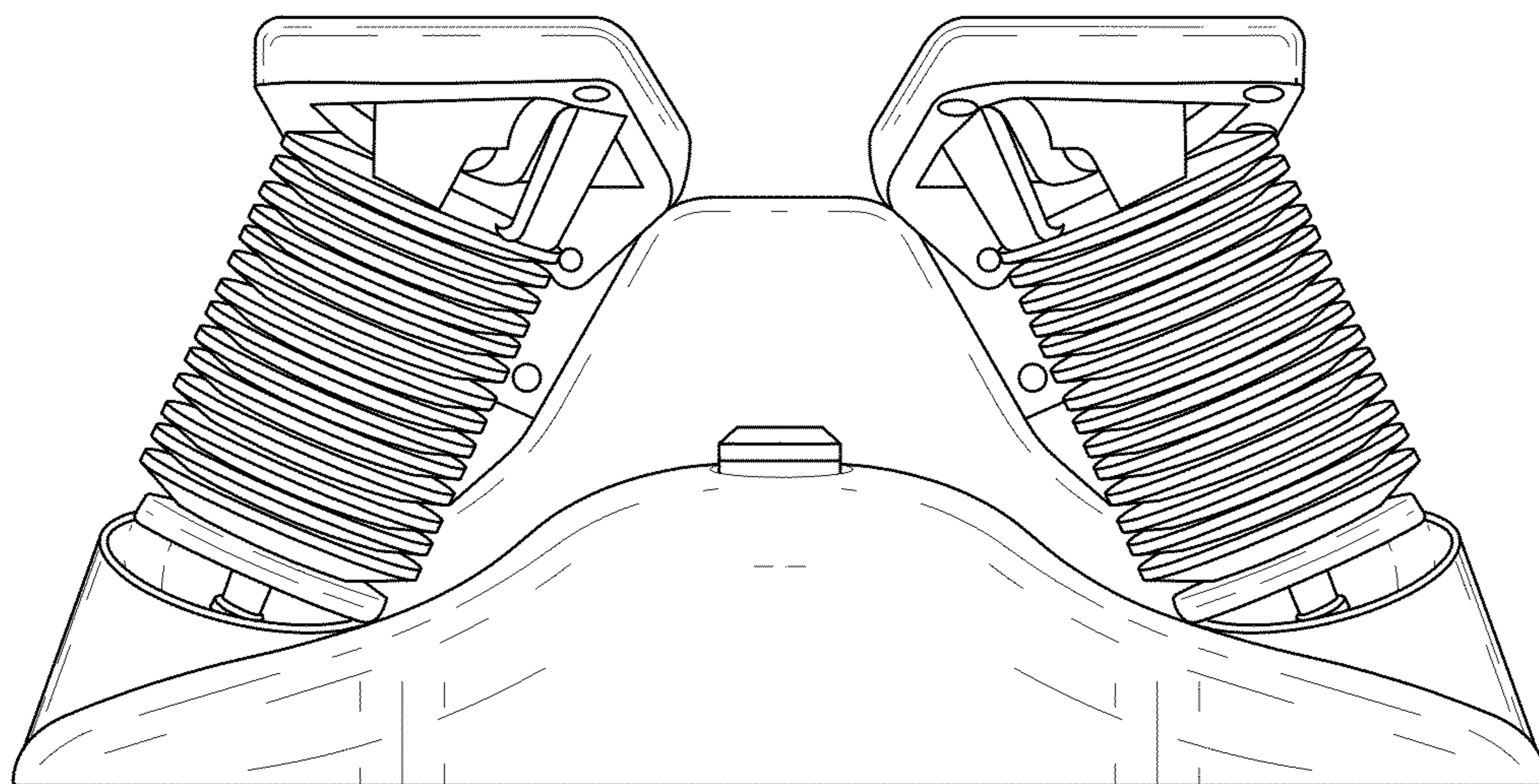


FIG. 1

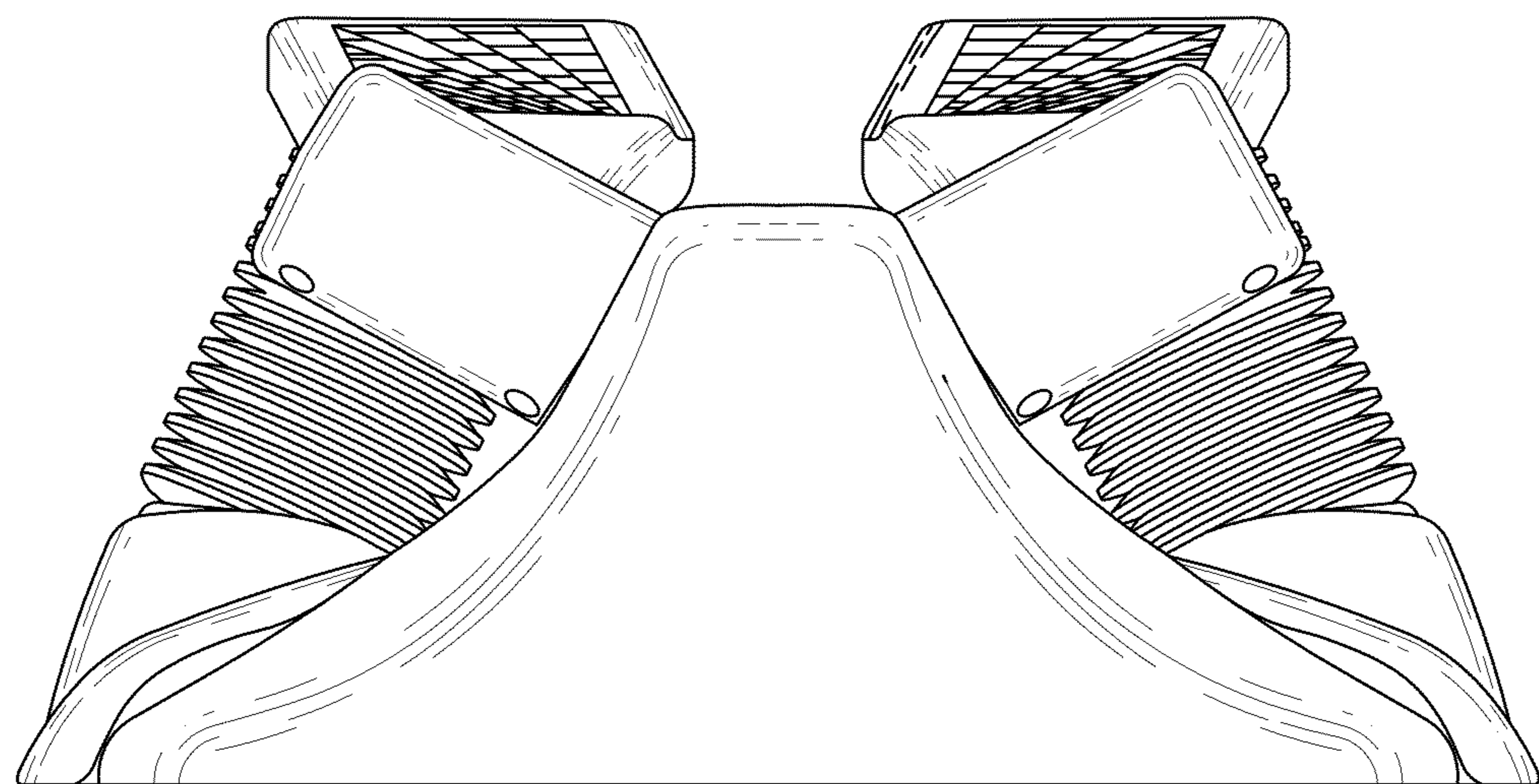


FIG. 2

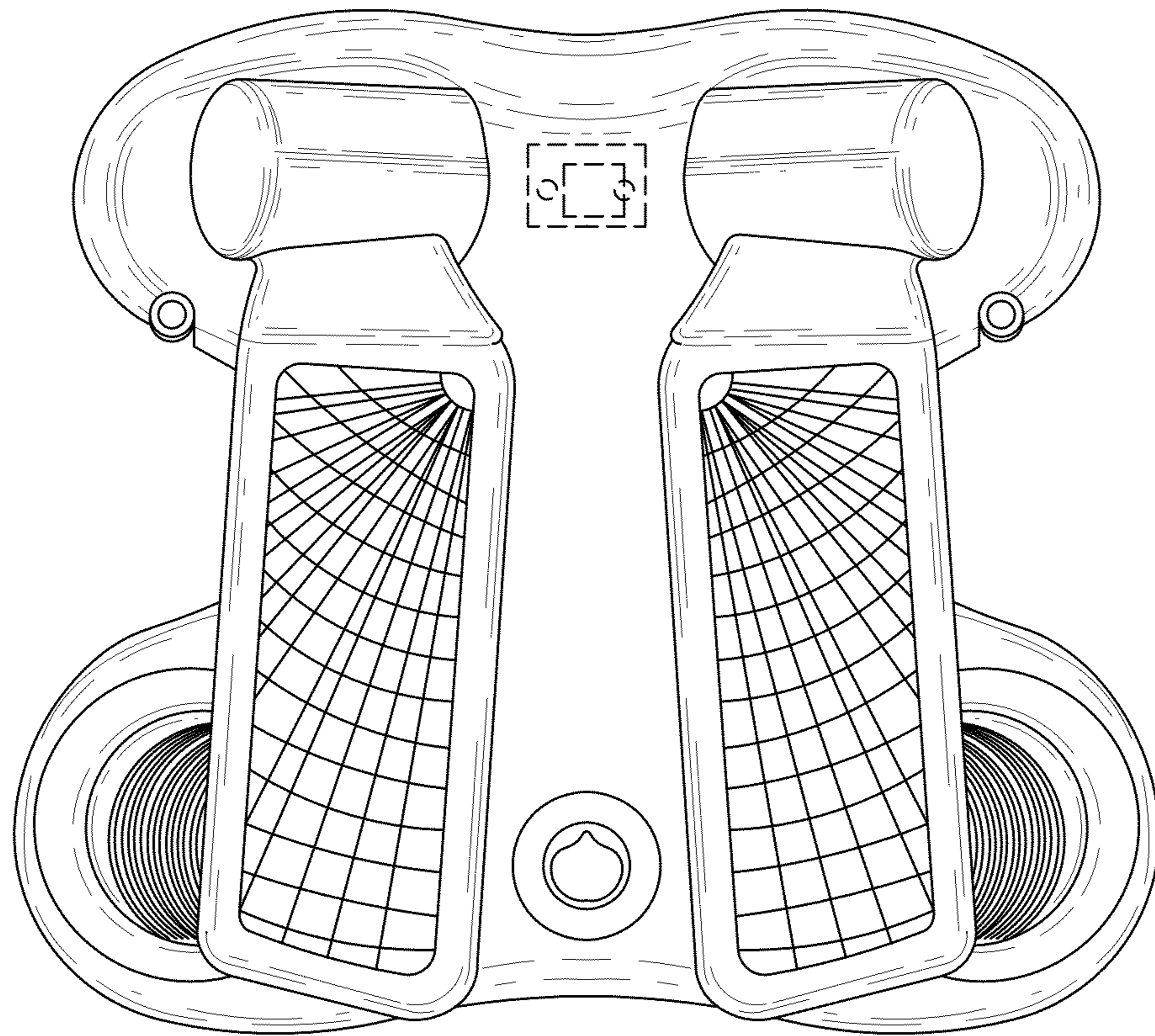


FIG. 3

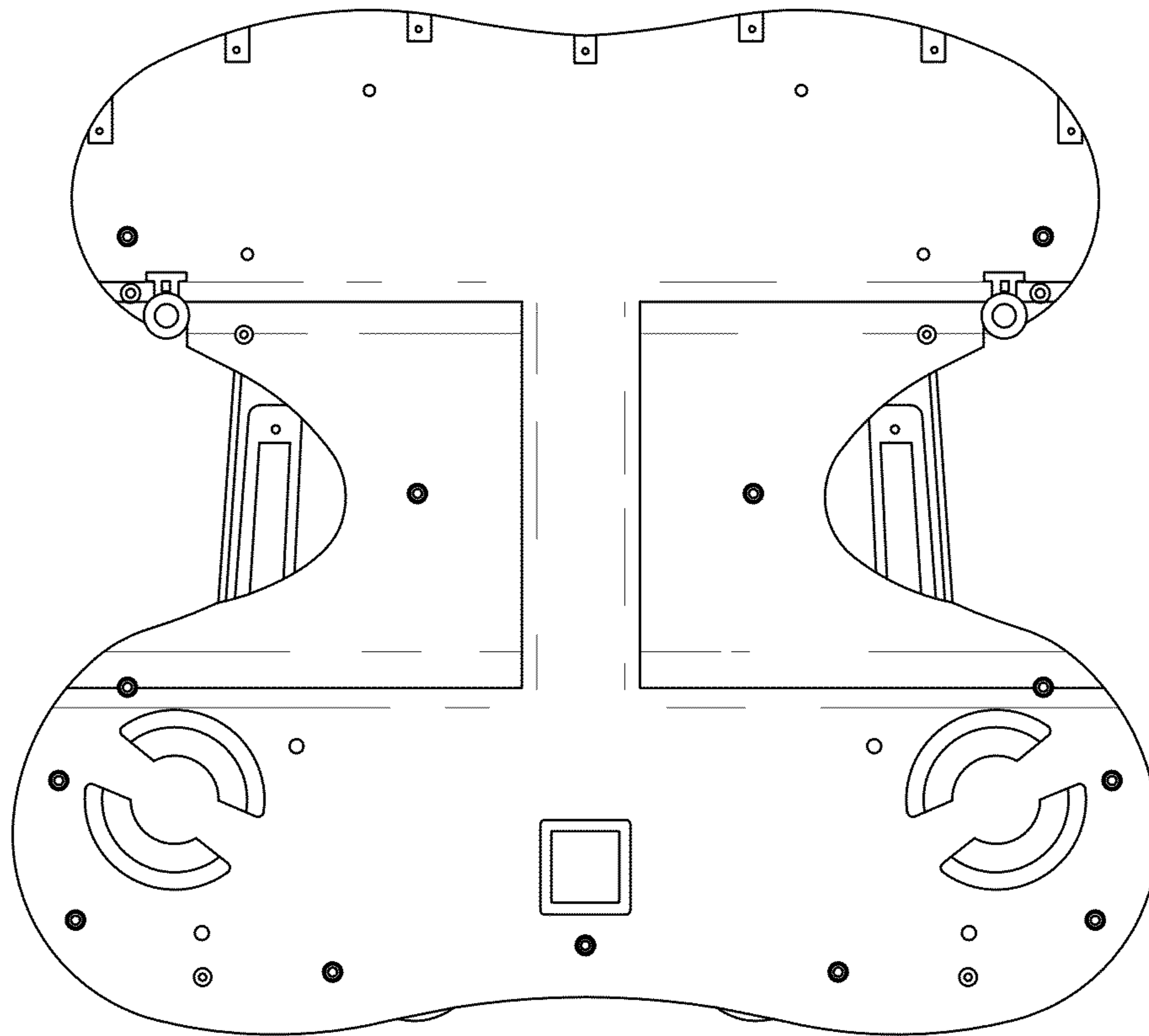


FIG. 4

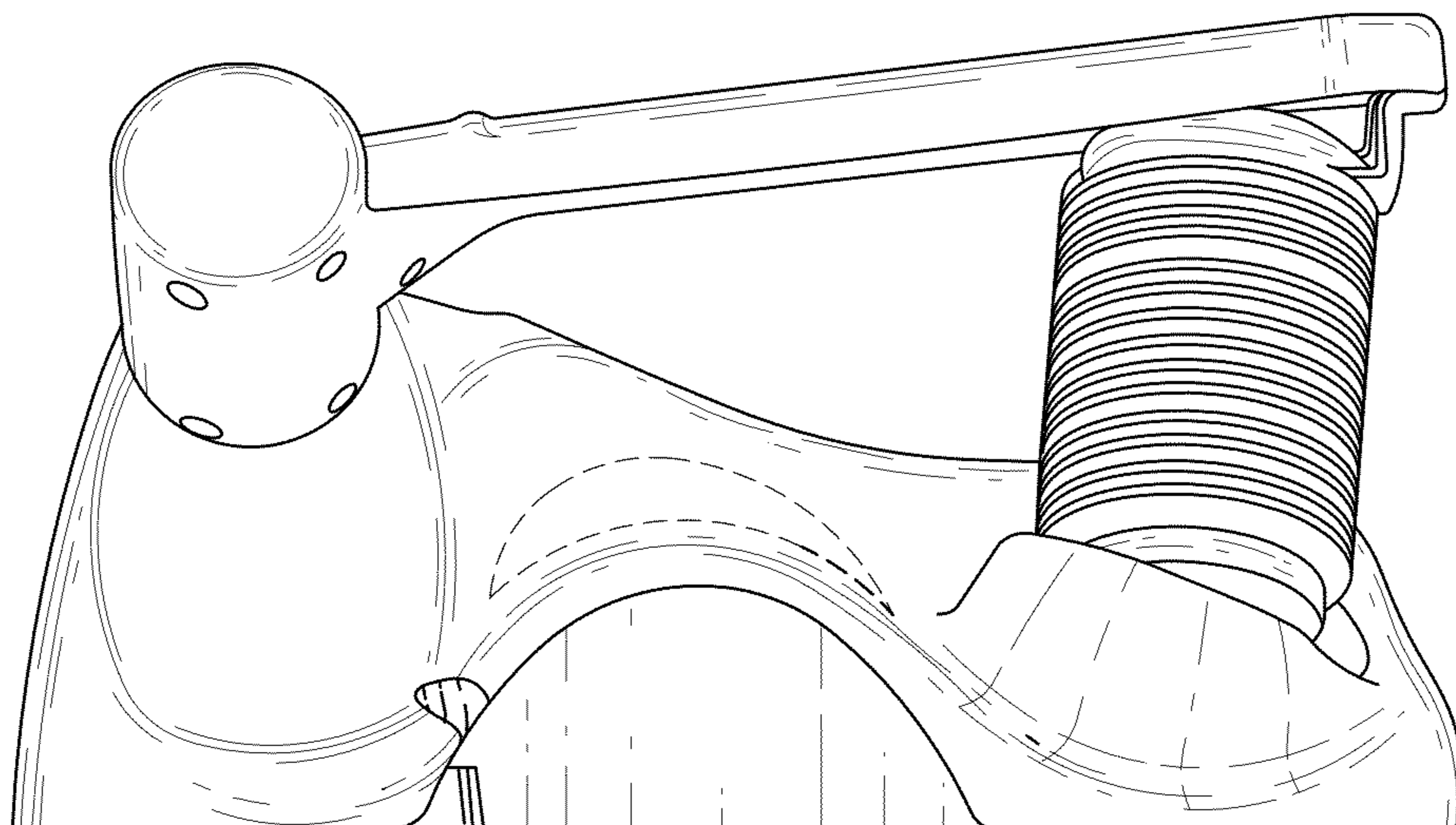


FIG. 5

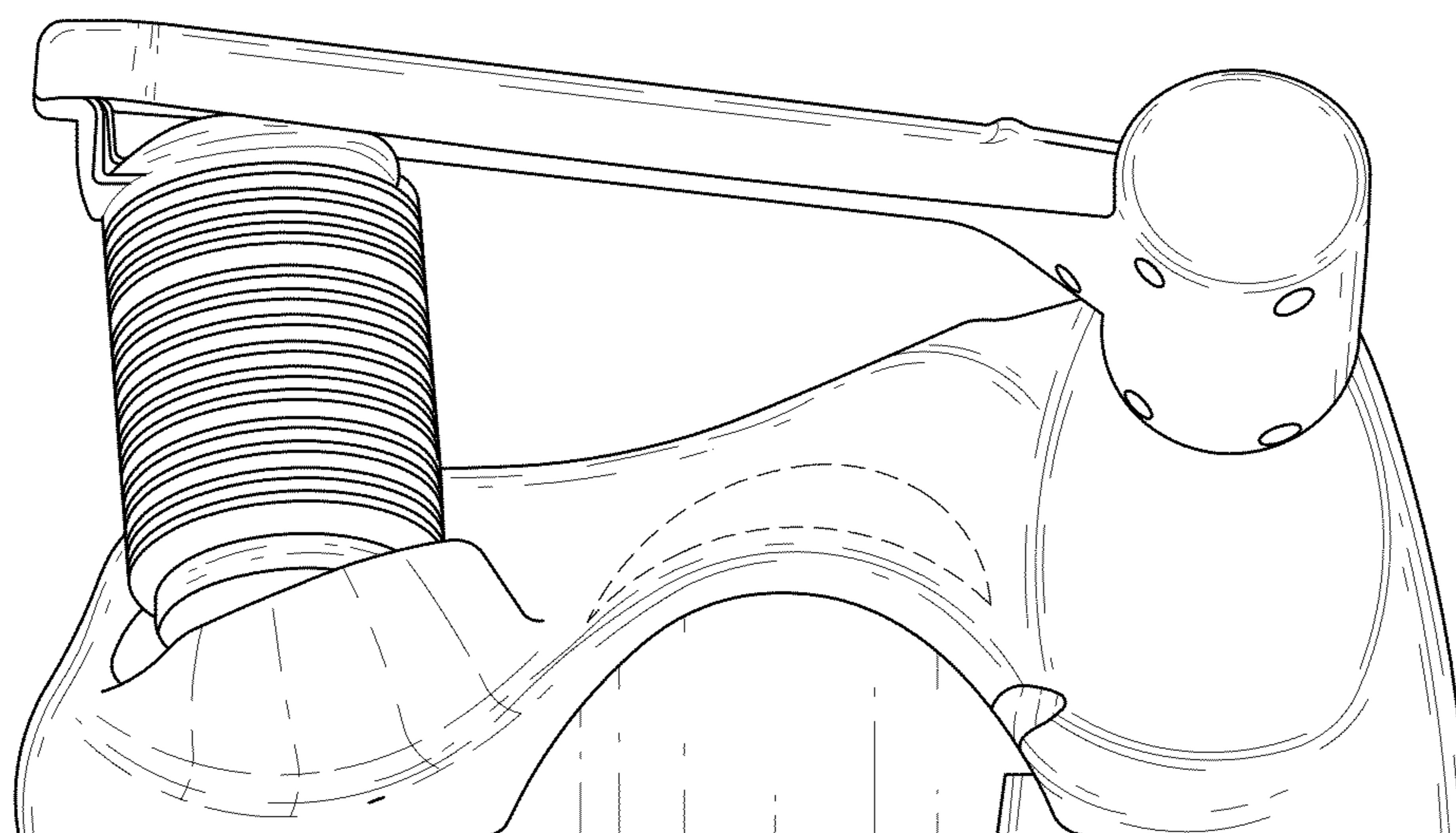


FIG. 6

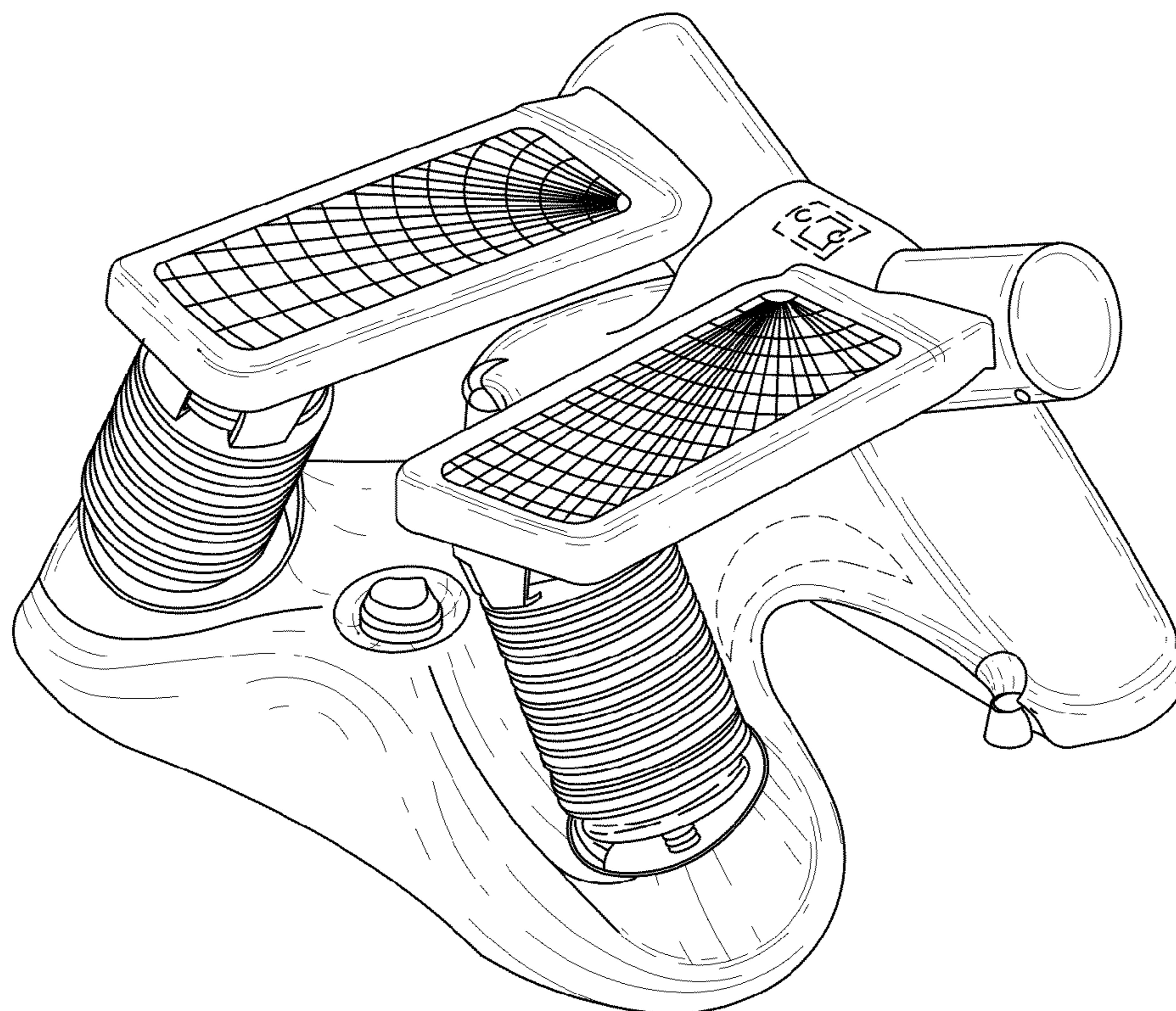


FIG. 7

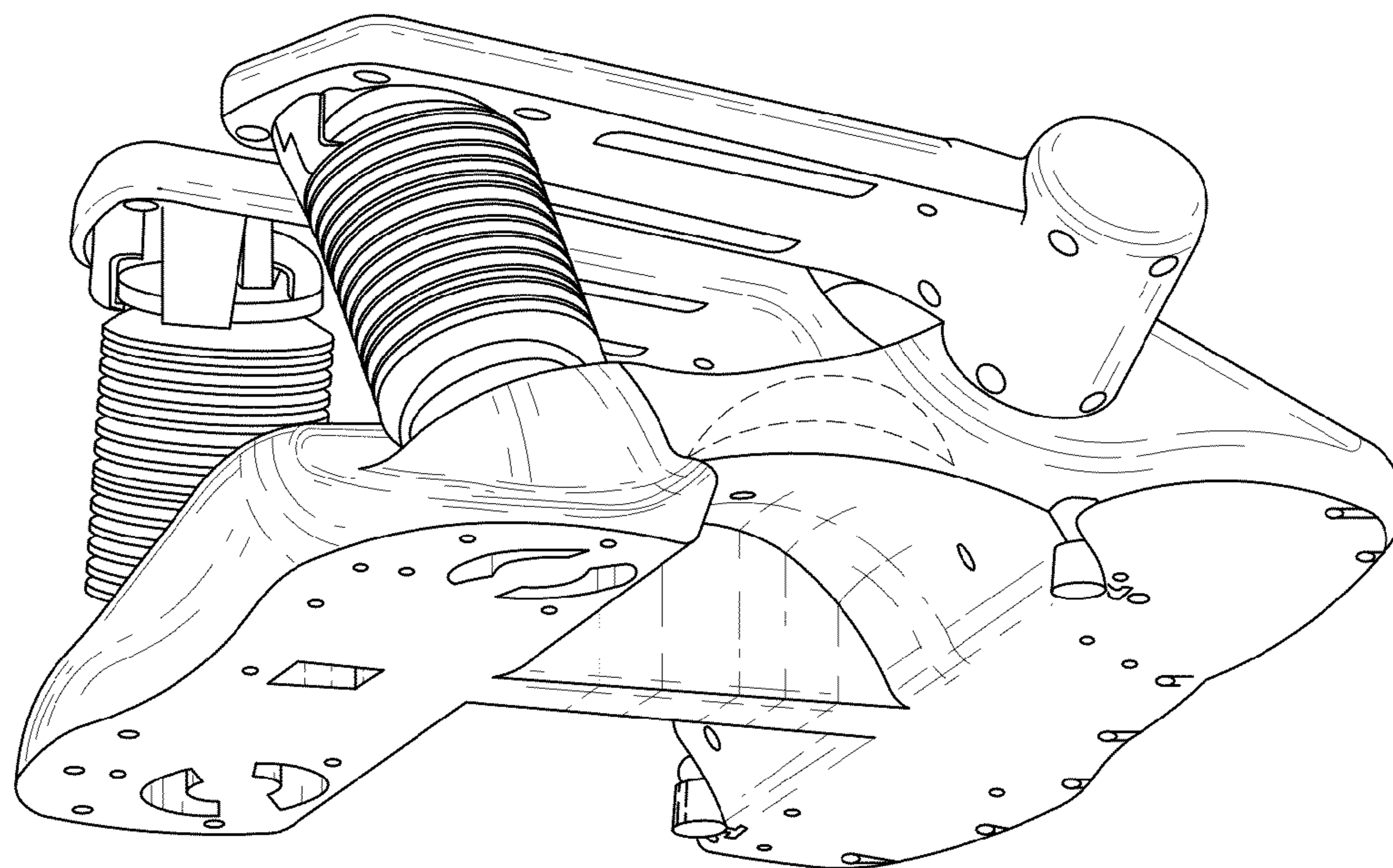


FIG. 8