



US00D720816S

(12) **United States Design Patent**  
**Nelson et al.**

(10) **Patent No.:** **US D720,816 S**  
(45) **Date of Patent:** **\*\* Jan. 6, 2015**

(54) **TRANSPARENT CLIP-STYLE BALLOON WEIGHT**

(75) Inventors: **David C. Nelson**, Akron, OH (US);  
**Wesley A. Schroeder**, Seville, OH (US)

(73) Assignee: **Premium Balloon Accessories, Inc.**,  
Sharon Center, OH (US)

(\*\*) Term: **14 Years**

(21) Appl. No.: **29/409,942**

(22) Filed: **Dec. 30, 2011**

(51) **LOC (10) Cl.** ..... **21-01**

(52) **U.S. Cl.**  
USPC ..... **D21/453**; D8/395

(58) **Field of Classification Search**  
USPC ..... D21/436, 439, 440, 453, 503; D8/394,  
D8/395; D19/65, 86; 24/3.1, 67 R,  
24/67.1-67.11, 499-501, 509-511, 563,  
24/3.11; 248/441.1, 451-453, 346.03,  
248/346.04; 446/220-224  
See application file for complete search history.

(56) **References Cited**

U.S. PATENT DOCUMENTS

5,318,292 A \* 6/1994 De Marco ..... 24/3.11  
D348,902 S \* 7/1994 Beyer ..... D19/65  
D366,282 S \* 1/1996 Adams ..... D19/83  
6,422,914 B1 \* 7/2002 Nelson et al. .... 446/220  
D477,988 S \* 8/2003 Adams et al. .... D8/395

D492,728 S \* 7/2004 Nuttall et al. .... D19/65  
6,826,811 B2 \* 12/2004 Adams ..... 24/499  
D512,906 S \* 12/2005 Wood ..... D8/395  
D520,078 S \* 5/2006 Pollack ..... D21/453  
D525,117 S \* 7/2006 Mariano et al. .... D8/395  
D577,393 S \* 9/2008 Nada et al. .... D21/503  
D599,651 S \* 9/2009 Riggsbee ..... D8/395  
7,850,506 B2 \* 12/2010 Nelson et al. .... 446/220

\* cited by examiner

*Primary Examiner* — Caron D Veynar

*Assistant Examiner* — Martie K Holtje

(74) *Attorney, Agent, or Firm* — Renner Kenner Greive  
Bobak Taylor & Weber

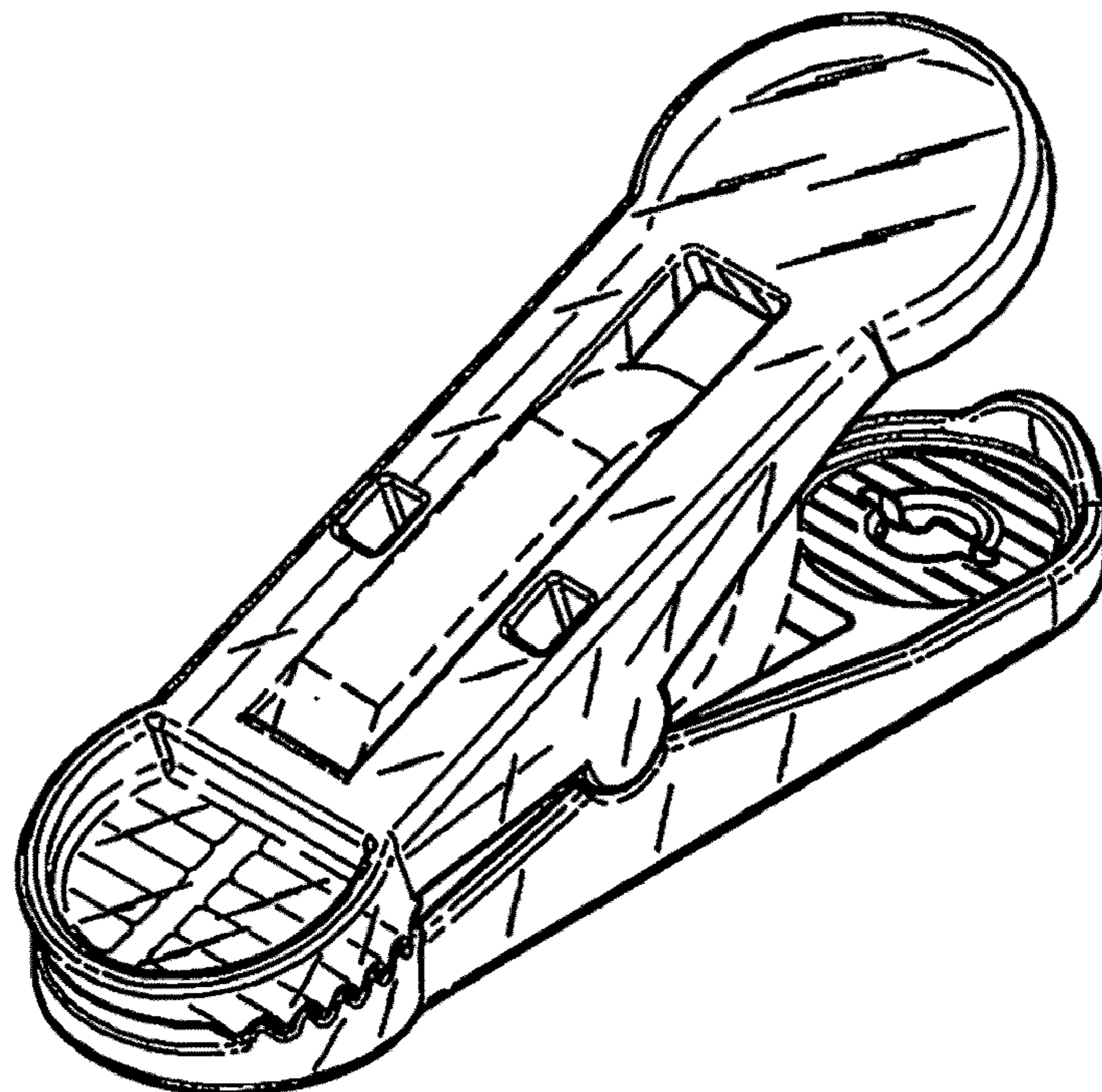
(57) **CLAIM**

We claim the ornamental design for a transparent clip-style  
balloon weight, as shown and described.

**DESCRIPTION**

FIG. 1 is a perspective view of a transparent clip-style balloon  
weight showing our new design;  
FIG. 2 is a front elevational view thereof;  
FIG. 3 is a rear elevational view thereof;  
FIG. 4 is a top plan view thereof;  
FIG. 5 is a bottom plan view thereof;  
FIG. 6 is a left side elevational view thereof; and,  
FIG. 7 is a right side elevational view thereof.  
The broken line showing of the spring is included for the  
purpose of illustrating a portion of the transparent clip-style  
balloon weight that forms no part of the claimed design.

**1 Claim, 3 Drawing Sheets**



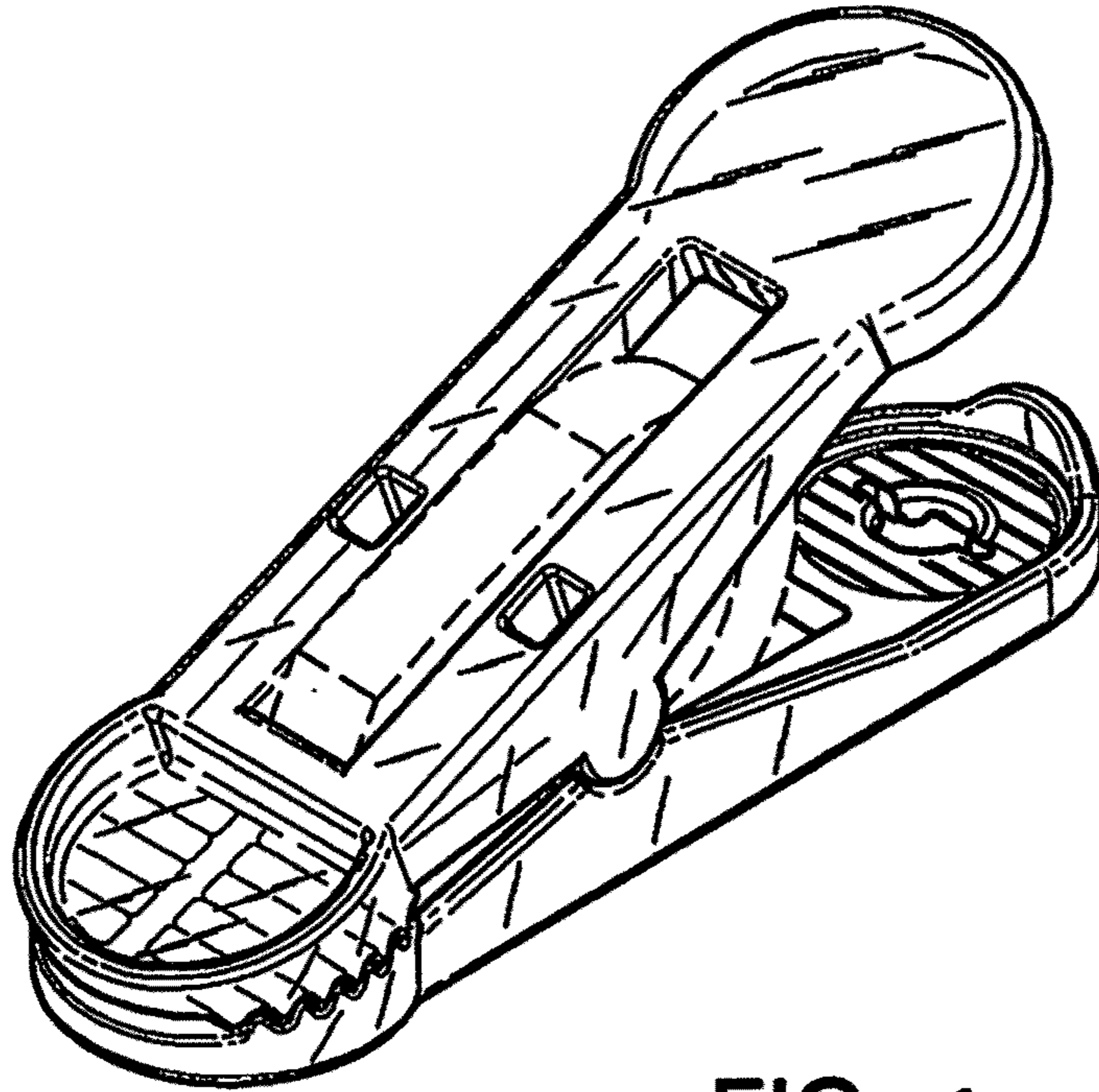


FIG. 1

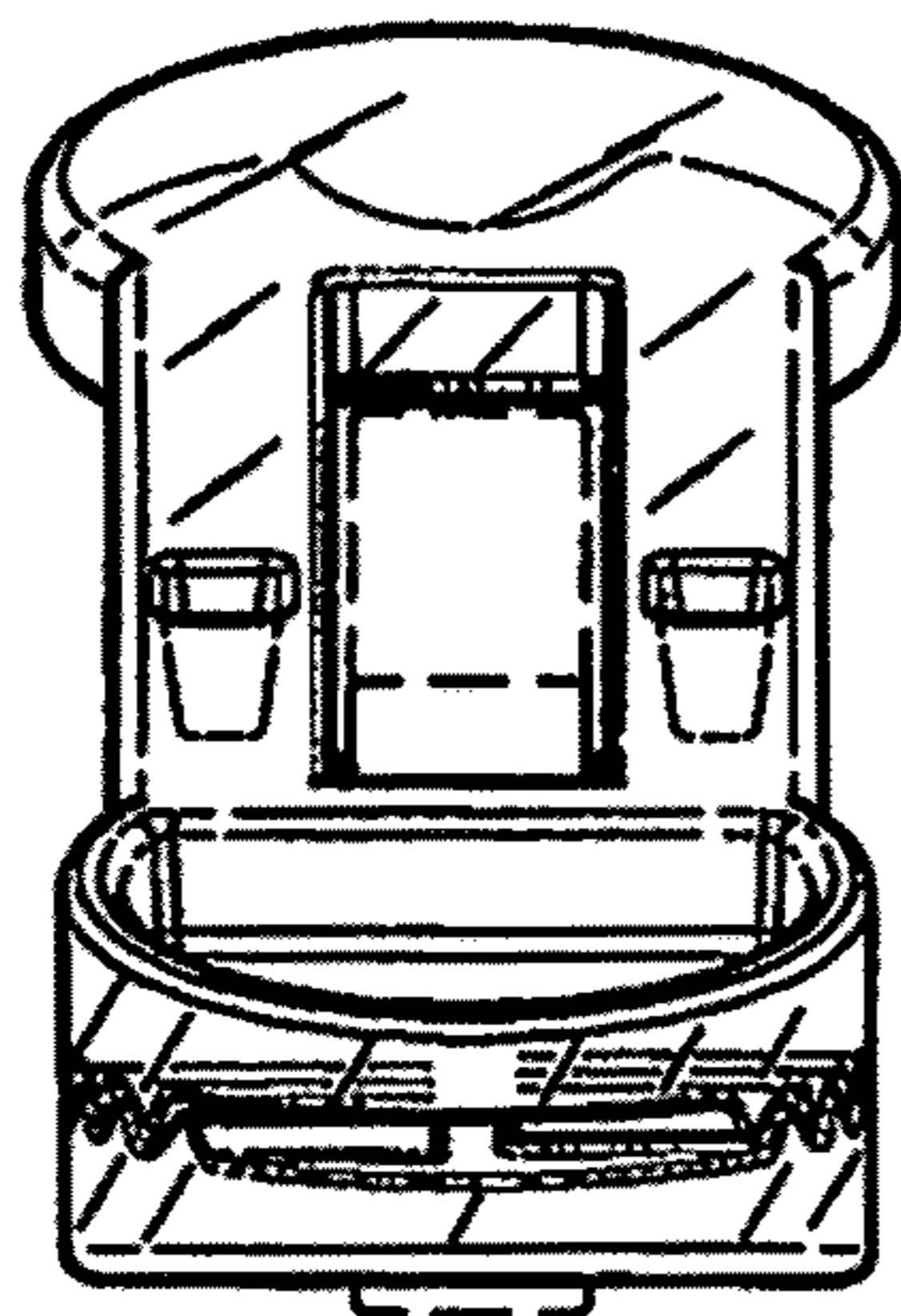


FIG. 2

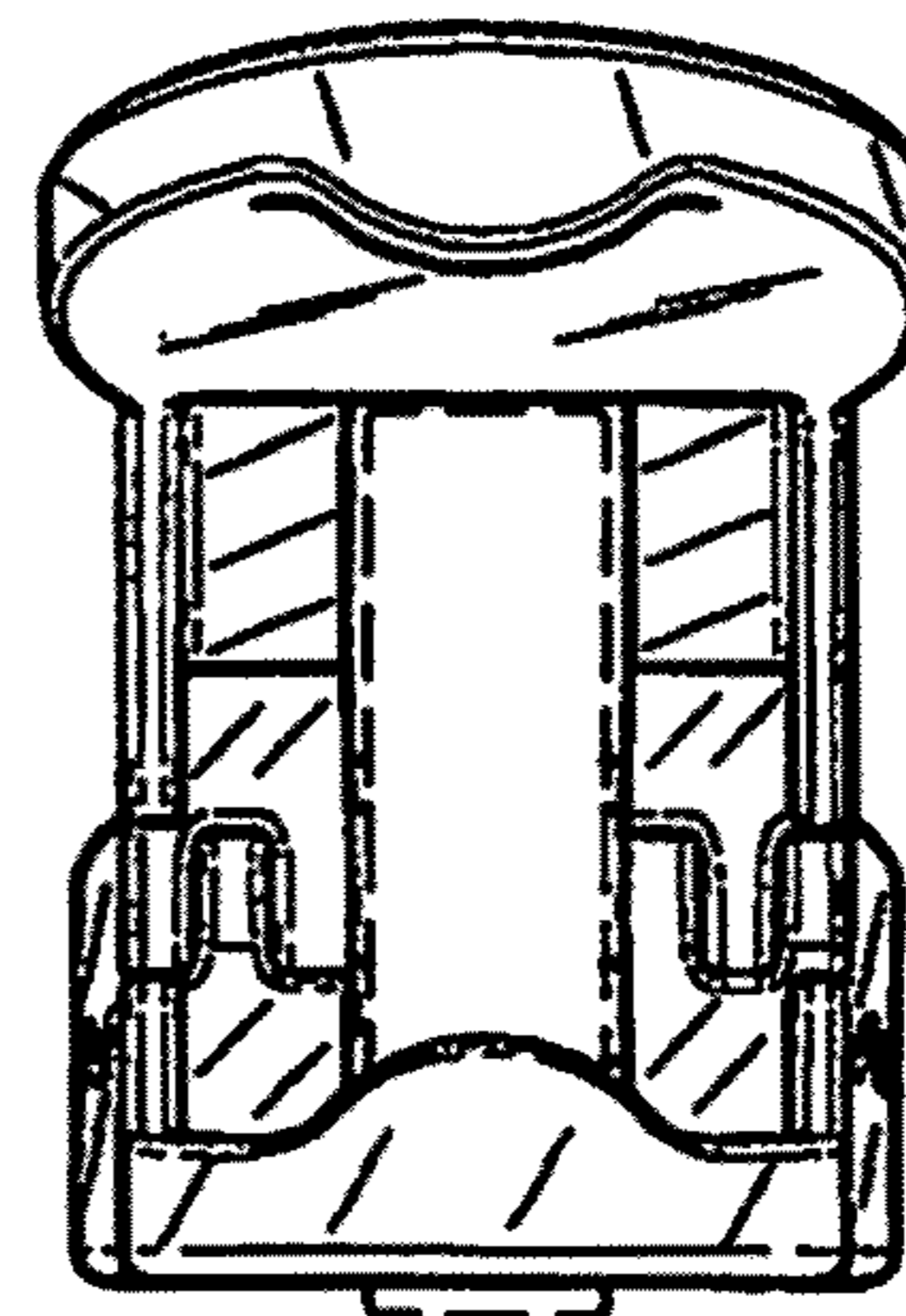


FIG. 3

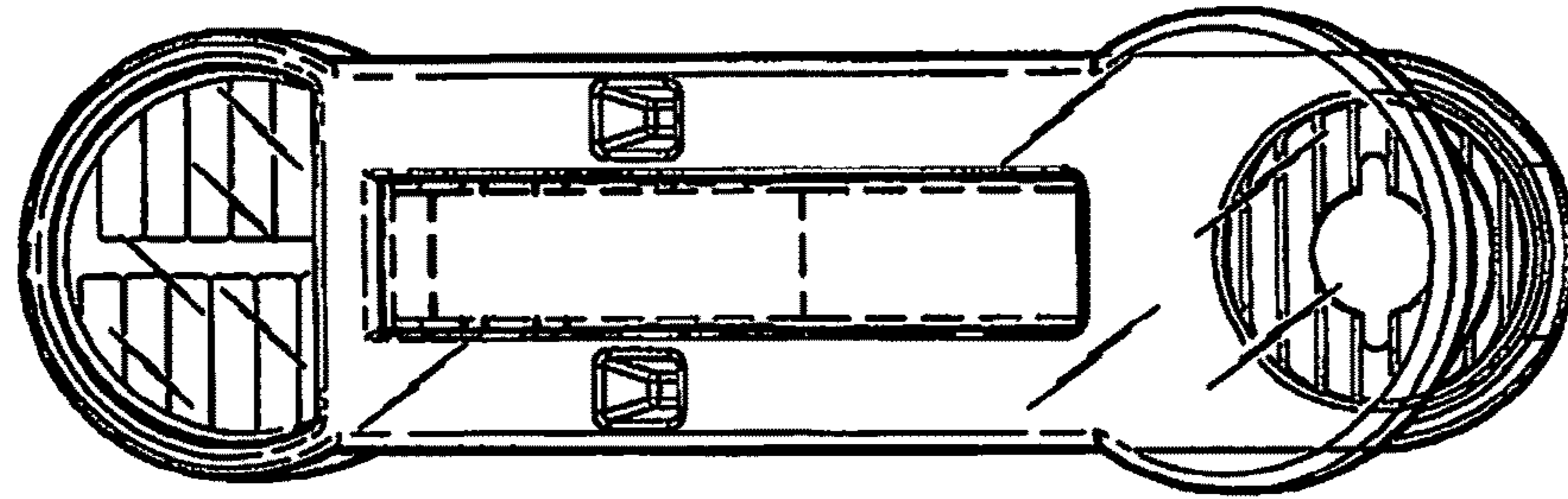


FIG. 4

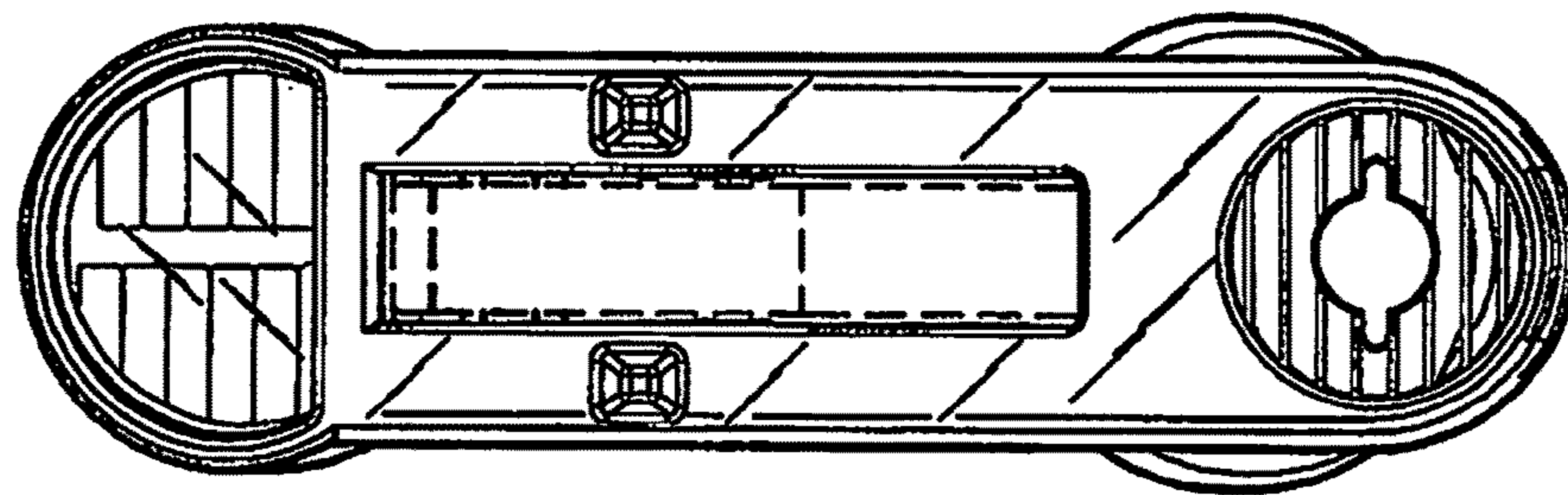


FIG. 5

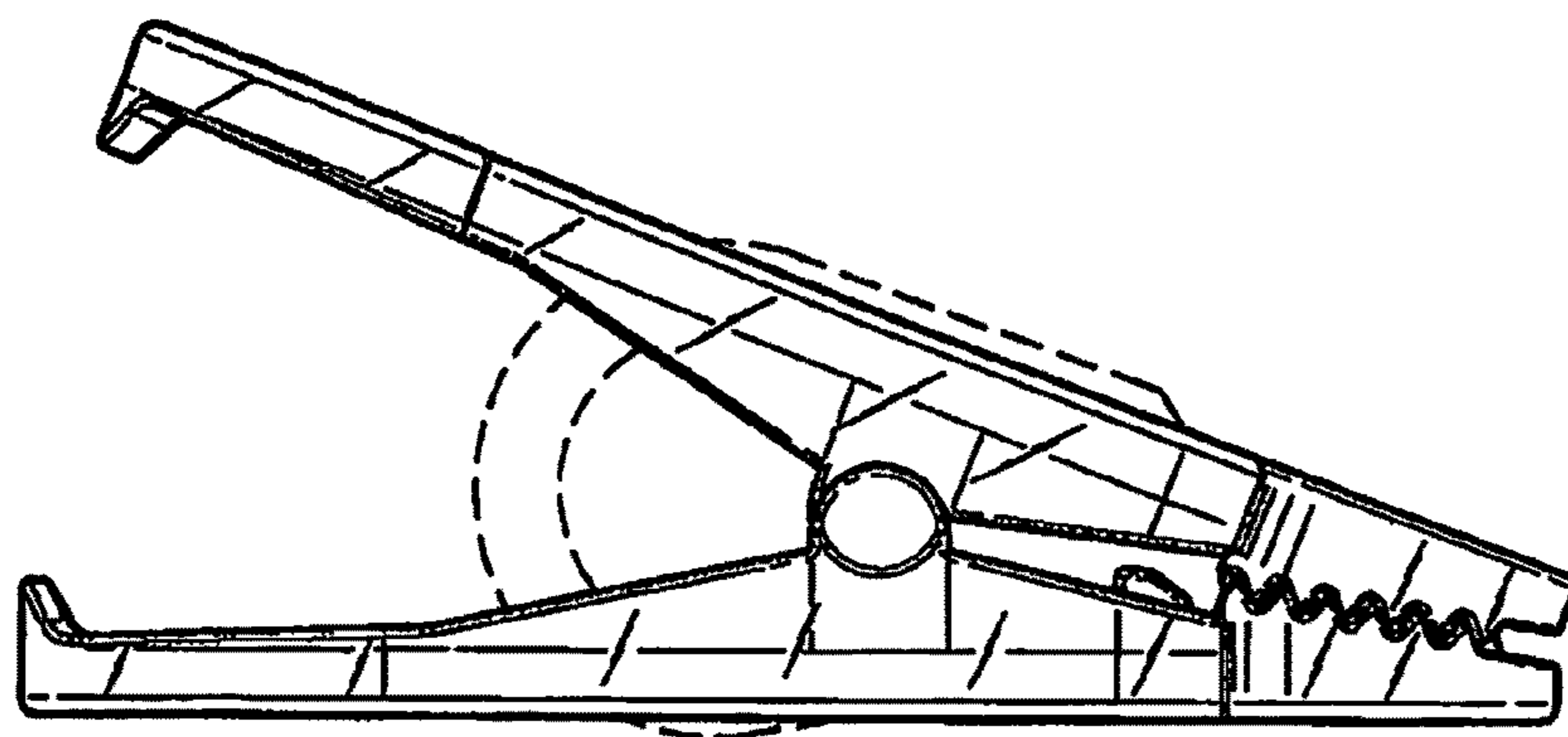


FIG. 6

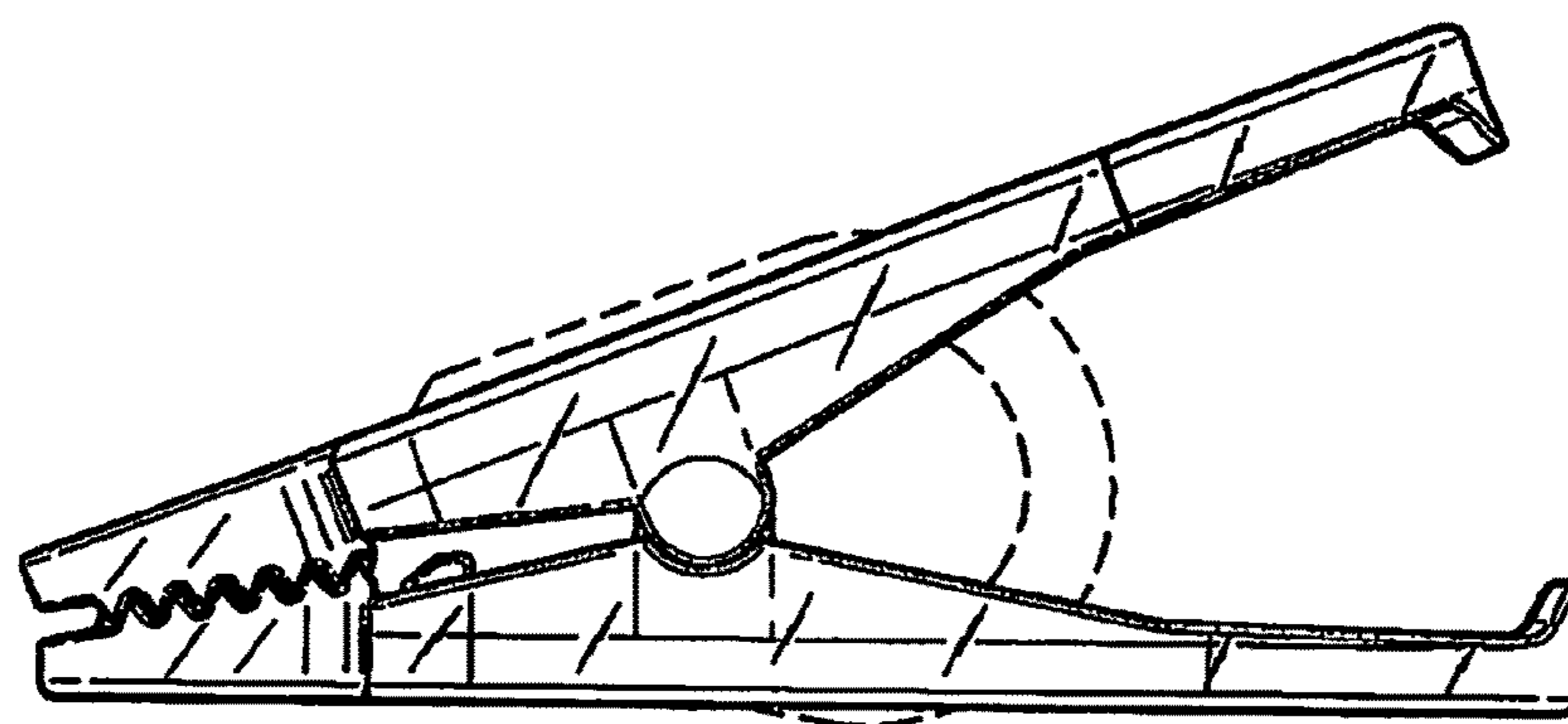


FIG. 7