



US00D720815S

(12) **United States Design Patent**
Talios et al.

(10) **Patent No.:** **US D720,815 S**
(45) **Date of Patent:** **** Jan. 6, 2015**

(54) **BATTERY OPERATED TOY COUPE**

(71) Applicant: **Dynacraft BSC, Inc.**, American Canyon, CA (US)

(72) Inventors: **Bill Talios**, Petaluma, CA (US); **John Bisges**, Petaluma, CA (US); **David Castrucci**, Napa, CA (US)

(73) Assignee: **Dynacraft BSC, Inc.**, American Canyon, CA (US)

(**) Term: **14 Years**

(21) Appl. No.: **29/473,188**

(22) Filed: **Nov. 19, 2013**

(51) **LOC (10) Cl.** **21-01**

(52) **U.S. Cl.**
USPC **D21/433; D21/561**

(58) **Field of Classification Search**
USPC D21/533, 548, 549, 550, 551, 561, 562,
D21/433; D12/82, 86, 88, 89, 90, 91, 92,
D12/93; 446/465, 468, 470, 471, 431,
446/454-456

See application file for complete search history.

(56) **References Cited**

U.S. PATENT DOCUMENTS

D393,888 S *	4/1998	Callif	D21/433
D402,332 S *	12/1998	Fichter	D21/433
D423,604 S *	4/2000	Yeh	D21/433
D426,270 S *	6/2000	Rubau	D21/433
D432,183 S *	10/2000	Hulst	D21/433
D432,185 S *	10/2000	Hulst	D21/433
D438,146 S *	2/2001	Larson	D12/107
D472,501 S *	4/2003	Song	D12/86
D483,812 S *	12/2003	Murkett	D21/433
D508,271 S *	8/2005	Augustin	D21/433
D524,876 S *	7/2006	Augustin	D21/433
D533,603 S *	12/2006	Chung	D21/433
D611,998 S *	3/2010	Pucci	D21/433
D622,328 S *	8/2010	Giannini	D21/433

OTHER PUBLICATIONS

3862 is a picture of Hello Kitty Coupe product sold prior to the application filing date (1 page).

3859 is a picture of Hello Kitty Coupe product sold prior to the application filing date (1 page).

3857 is a picture of Hello Kitty Coupe product sold prior to the application filing date (1 page).

3853 is a picture of Hello Kitty Coupe product sold prior to the application filing date (1 page).

3847 is a picture of Hello Kitty Coupe product sold prior to the application filing date (1 page).

* cited by examiner

Primary Examiner — Cynthia M Chin

(74) *Attorney, Agent, or Firm* — Michael Best & Friedrich LLP

(57) **CLAIM**

We claim the ornamental design for a battery operated toy coupe, as shown and described.

DESCRIPTION

FIG. 1 is a perspective view of a battery operated toy coupe embodying the invention.

FIG. 2 is a right side elevation view of the battery operated toy coupe shown in FIG. 1.

FIG. 3 is a left side elevation view of the battery operated toy coupe shown in FIG. 1.

FIG. 4 is a front elevation view of the battery operated toy coupe shown in FIG. 1.

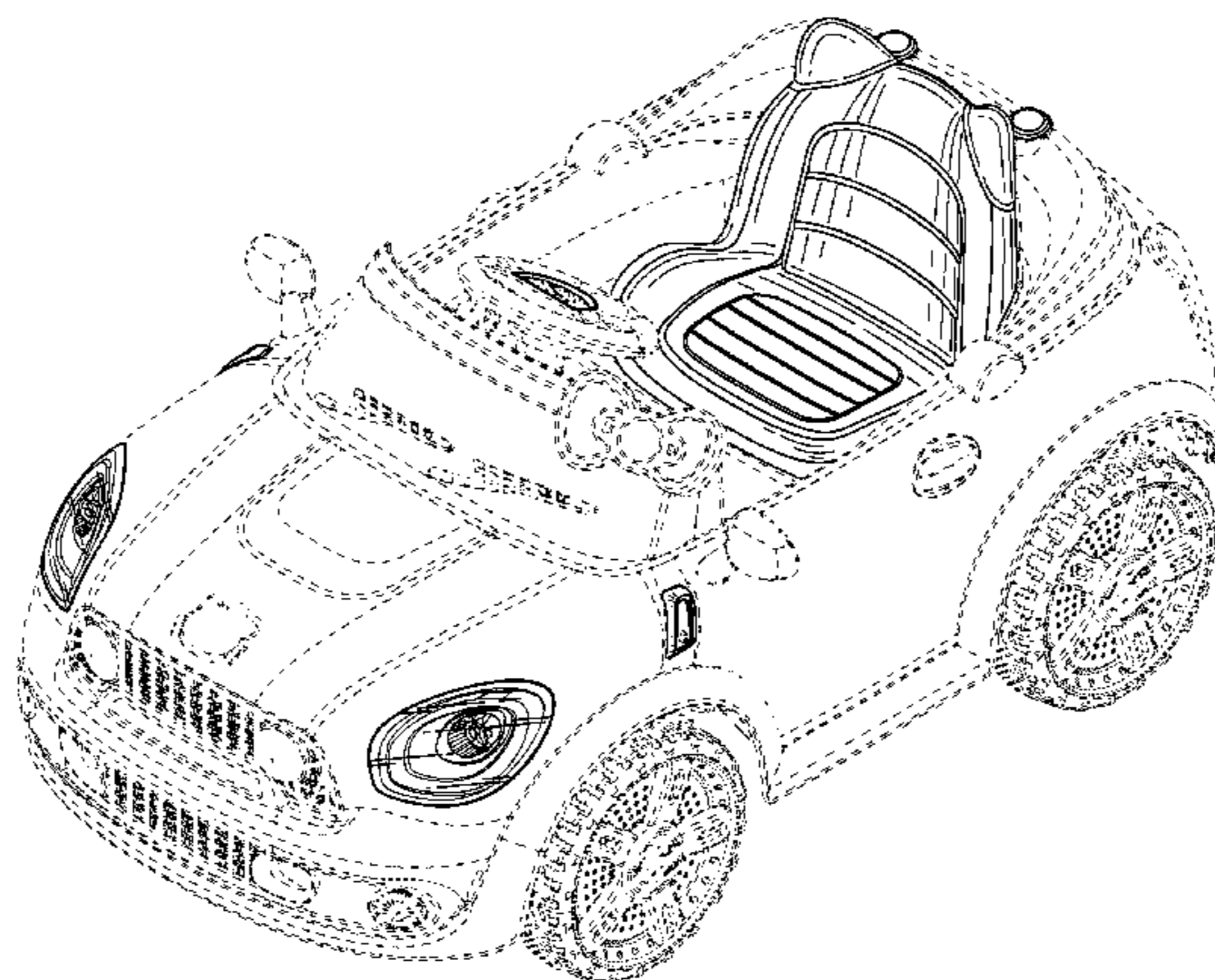
FIG. 5 is a rear elevation view of the battery operated toy coupe shown in FIG. 1.

FIG. 6 is a top plan view of the battery operated toy coupe shown in FIG. 1; and,

FIG. 7 is a bottom plan view of the battery operated toy coupe shown in FIG. 1.

The broken lines showing the environment form no part of the claimed design.

1 Claim, 6 Drawing Sheets



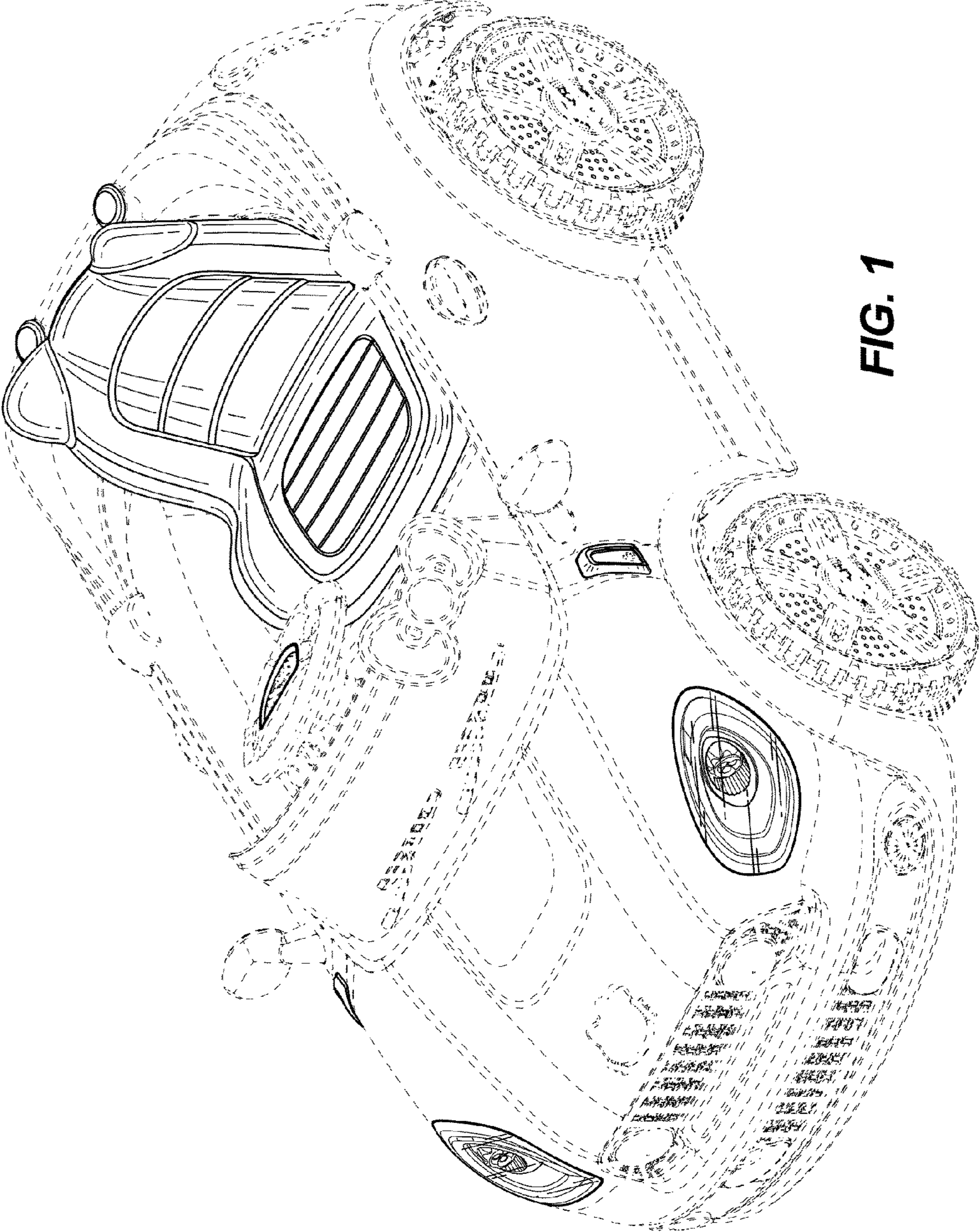


FIG. 1

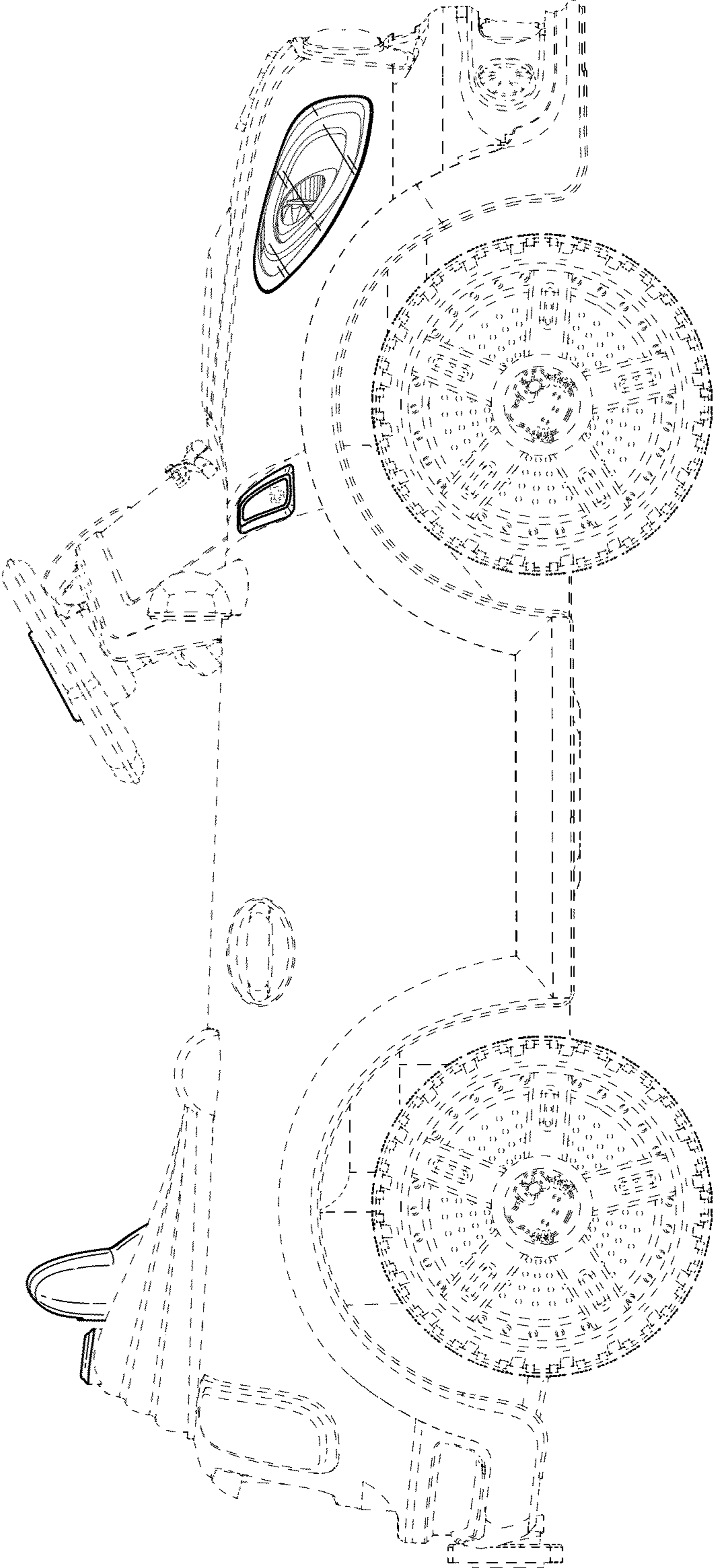


FIG. 2

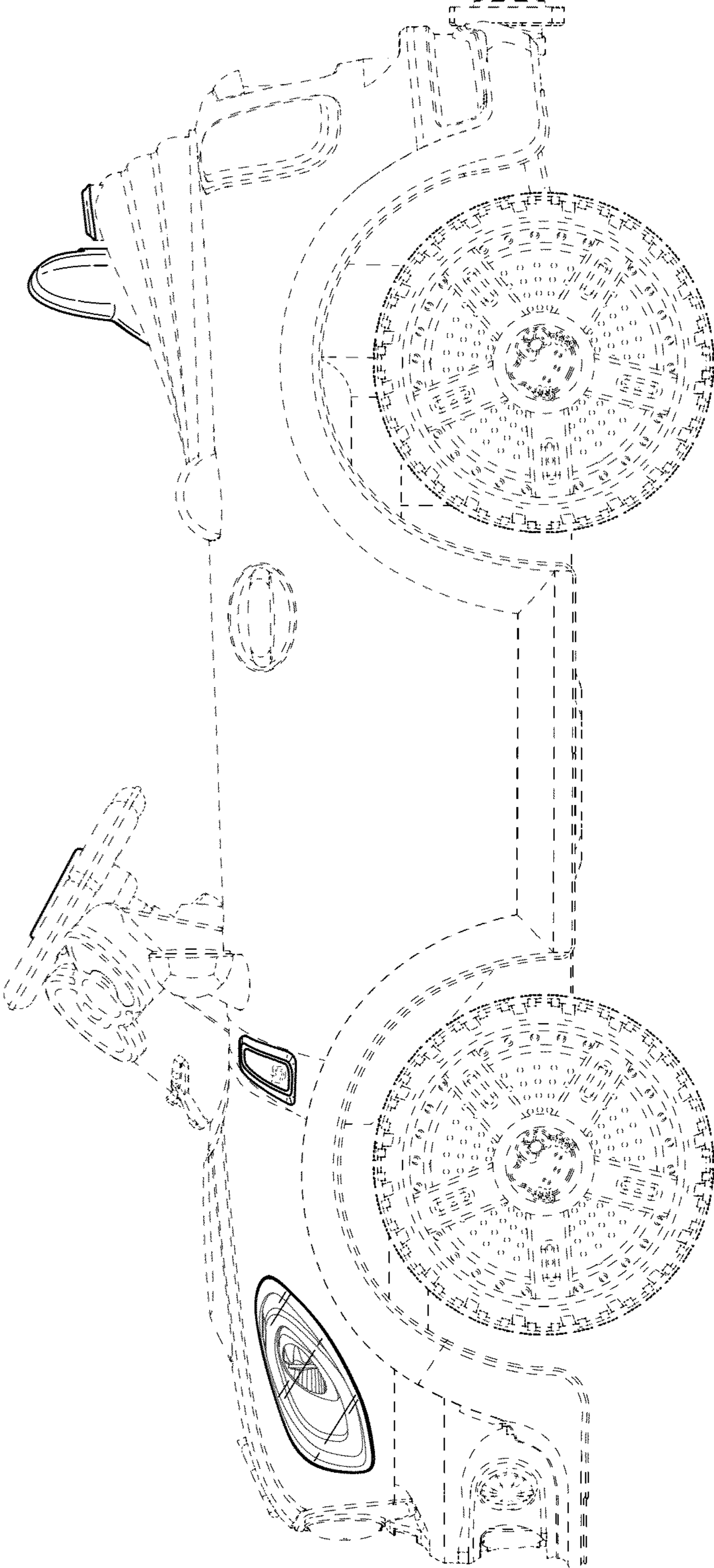


FIG. 3

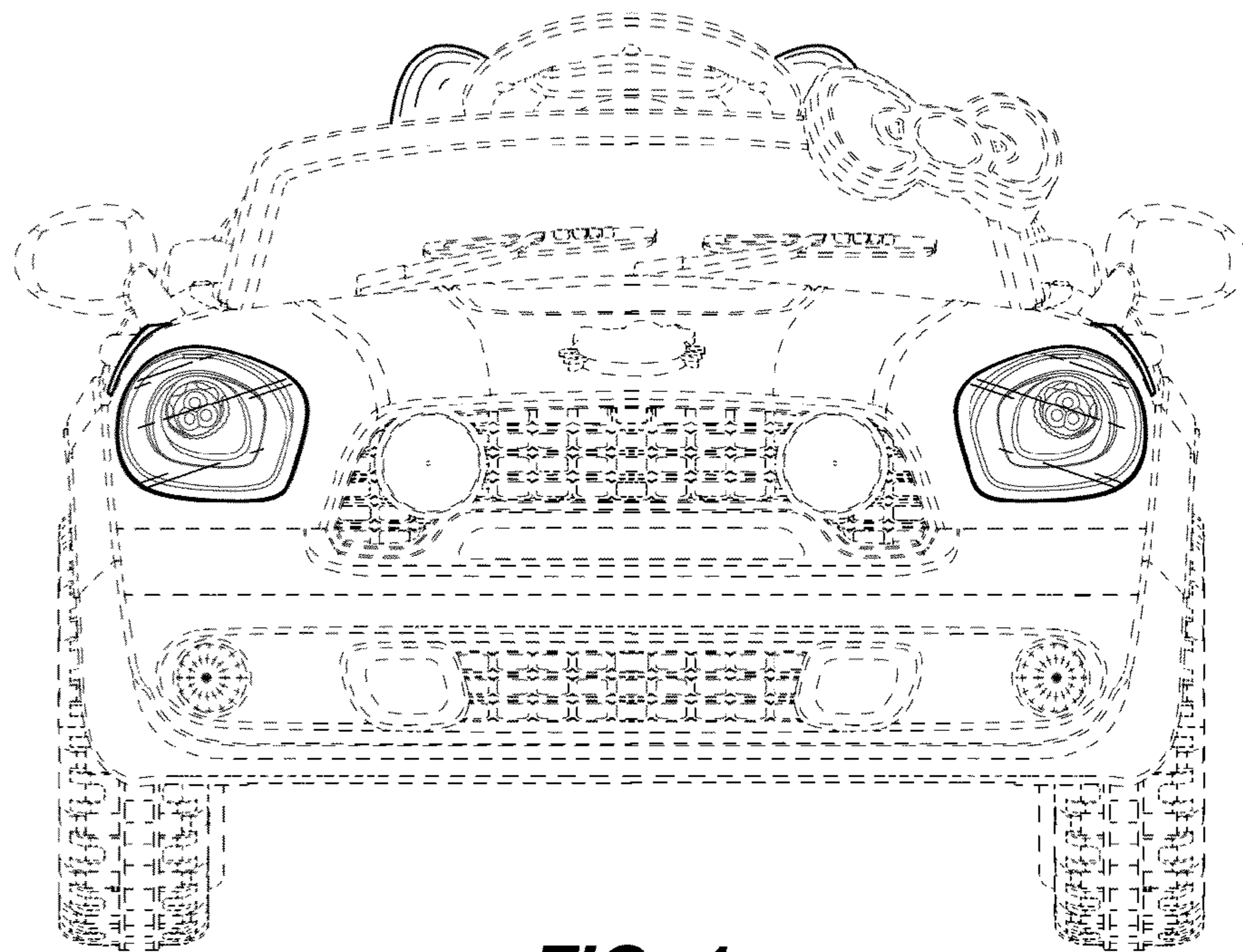


FIG. 4



FIG. 5

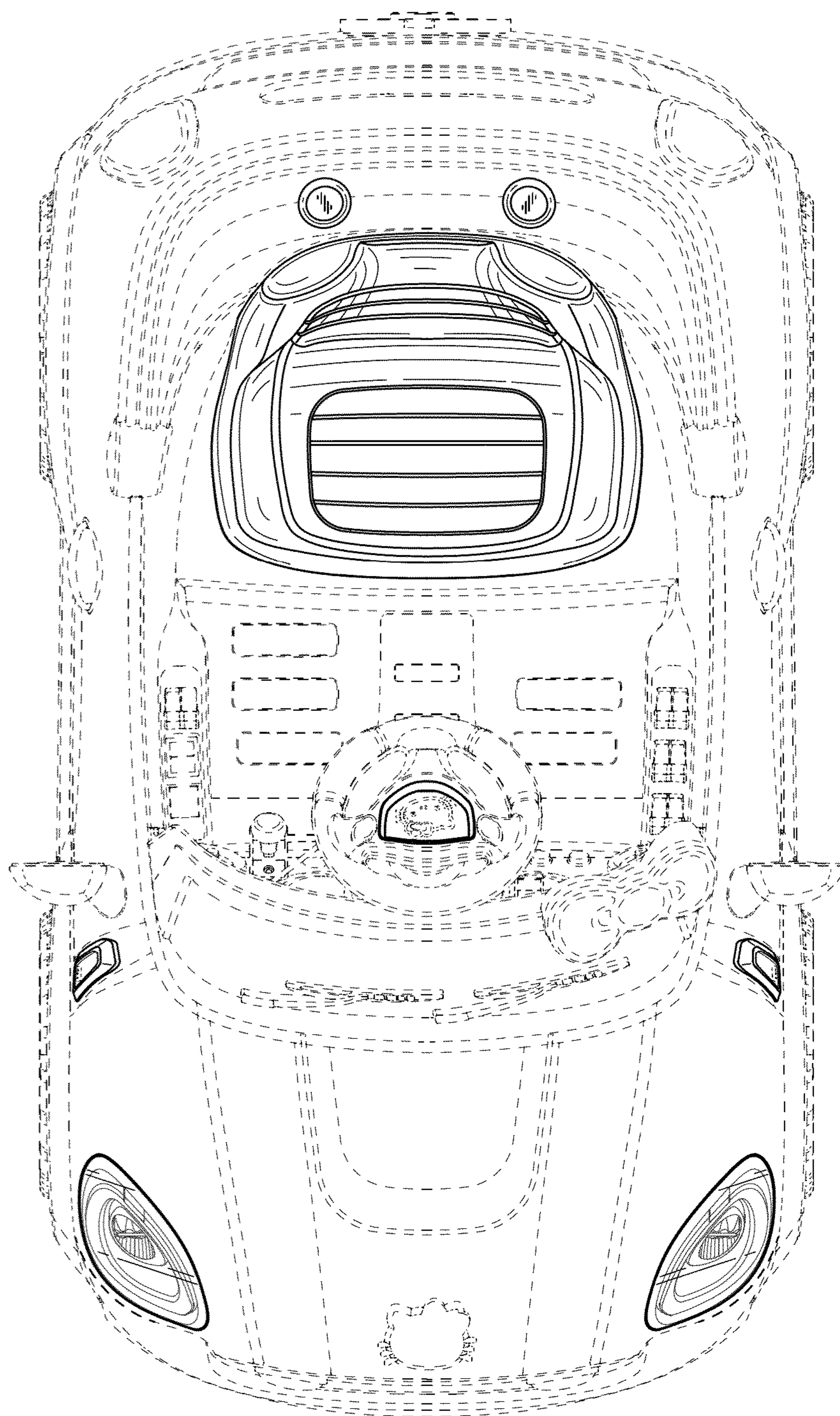


FIG. 6

