



US00D720814S

(12) **United States Design Patent**
Chen

(10) **Patent No.:** **US D720,814 S**
(45) **Date of Patent:** **** Jan. 6, 2015**

(54) **TOOL-SHAPED BUBBLE TOY**

(71) Applicant: **Bo Chen**, Shantou (CN)

(72) Inventor: **Bo Chen**, Shantou (CN)

(**) Term: **14 Years**

(21) Appl. No.: **29/461,035**

(22) Filed: **Jul. 17, 2013**

(51) **LOC (10) Cl.** **21-01**

(52) **U.S. Cl.**
USPC **D21/401**

(58) **Field of Classification Search**
USPC D21/398, 401, 405, 473, 474, 483, 523,
D21/528, 532, 567, 572; 446/15-21, 74, 81,
446/144, 145, 178, 201, 217, 218, 267, 475,
446/483

See application file for complete search history.

(56) **References Cited**

U.S. PATENT DOCUMENTS

3,021,639	A *	2/1962	Allen et al.	446/17
3,190,031	A *	6/1965	Tengelitsch	446/145
3,399,485	A	9/1968	Cashavelly et al.	
3,797,163	A *	3/1974	McRoskey et al.	446/145
D258,299	S *	2/1981	Klawitter	D21/532
4,334,383	A	6/1982	Melotti	
D268,042	S *	2/1983	Appel et al.	D21/532
5,074,437	A	12/1991	D'Andrade et al.	
D331,609	S	12/1992	LaFata	
5,234,129	A	8/1993	Lau	
5,498,191	A *	3/1996	DeMars	446/15
D376,394	S *	12/1996	Raucci et al.	D21/401
5,613,890	A	3/1997	DeMars	
5,643,035	A *	7/1997	Freese et al.	446/15
5,730,325	A	3/1998	Cheung	
5,975,358	A	11/1999	Zheng et al.	
6,186,853	B1 *	2/2001	Messina	446/15
D466,957	S *	12/2002	Visnick	D21/532
6,682,570	B2	1/2004	Thai	

6,905,386	B2 *	6/2005	Thai	446/15
6,969,293	B2	11/2005	Thai	
D514,173	S	1/2006	McBride et al.	
7,059,930	B2	6/2006	Choi	
7,172,485	B2	2/2007	Thai	
D600,289	S *	9/2009	Lo et al.	D21/401
7,731,064	B2	6/2010	Chuang et al.	
7,922,039	B2	4/2011	Jablonski et al.	
2002/0132557	A1	9/2002	Yu	
2006/0163278	A1	7/2006	Yeung	
2012/0270462	A1	10/2012	Lo	

FOREIGN PATENT DOCUMENTS

CN 302446194 * 5/2013

* cited by examiner

Primary Examiner — Catherine Tuttle

(74) *Attorney, Agent, or Firm* — Minder Law Group; Willy H. Wong

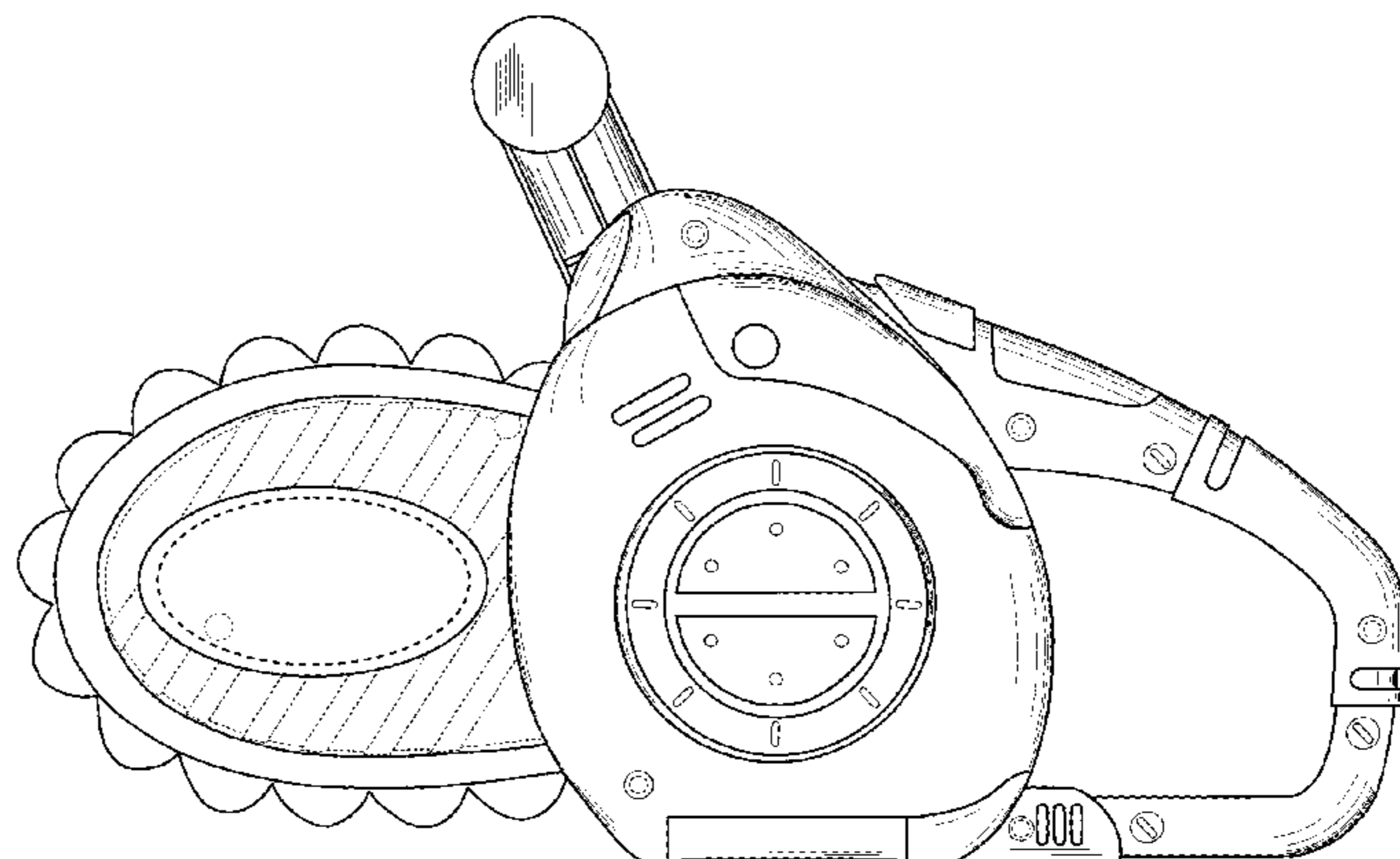
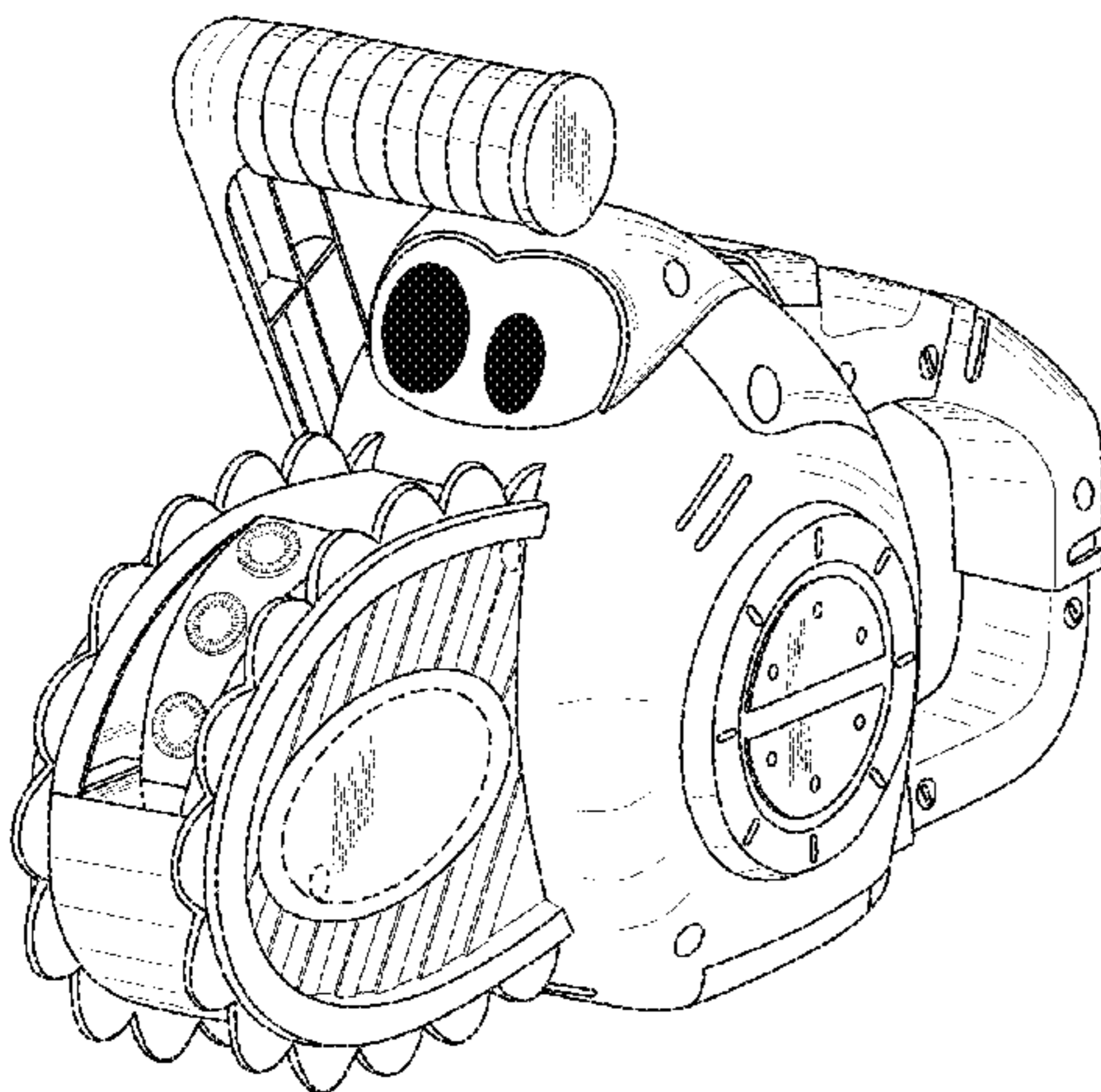
(57) **CLAIM**

The ornamental design for a tool-shaped bubble toy, as shown and described.

DESCRIPTION

FIG. 1 is a perspective view of a tool-shaped bubble toy showing my new design; FIG. 2 is a left side view thereof; FIG. 3 is a right side view thereof; FIG. 4 is a front view thereof; FIG. 5 is a rear view thereof; FIG. 6 is a top view thereof; and, FIG. 7 is a bottom view thereof. The broken lines are included for the purpose of illustrating portions of the bubble toy that form no part of the claimed design. The appearance within the unshaded regions within and immediately surrounding the broken lines likewise form no part of the claimed design.

1 Claim, 7 Drawing Sheets



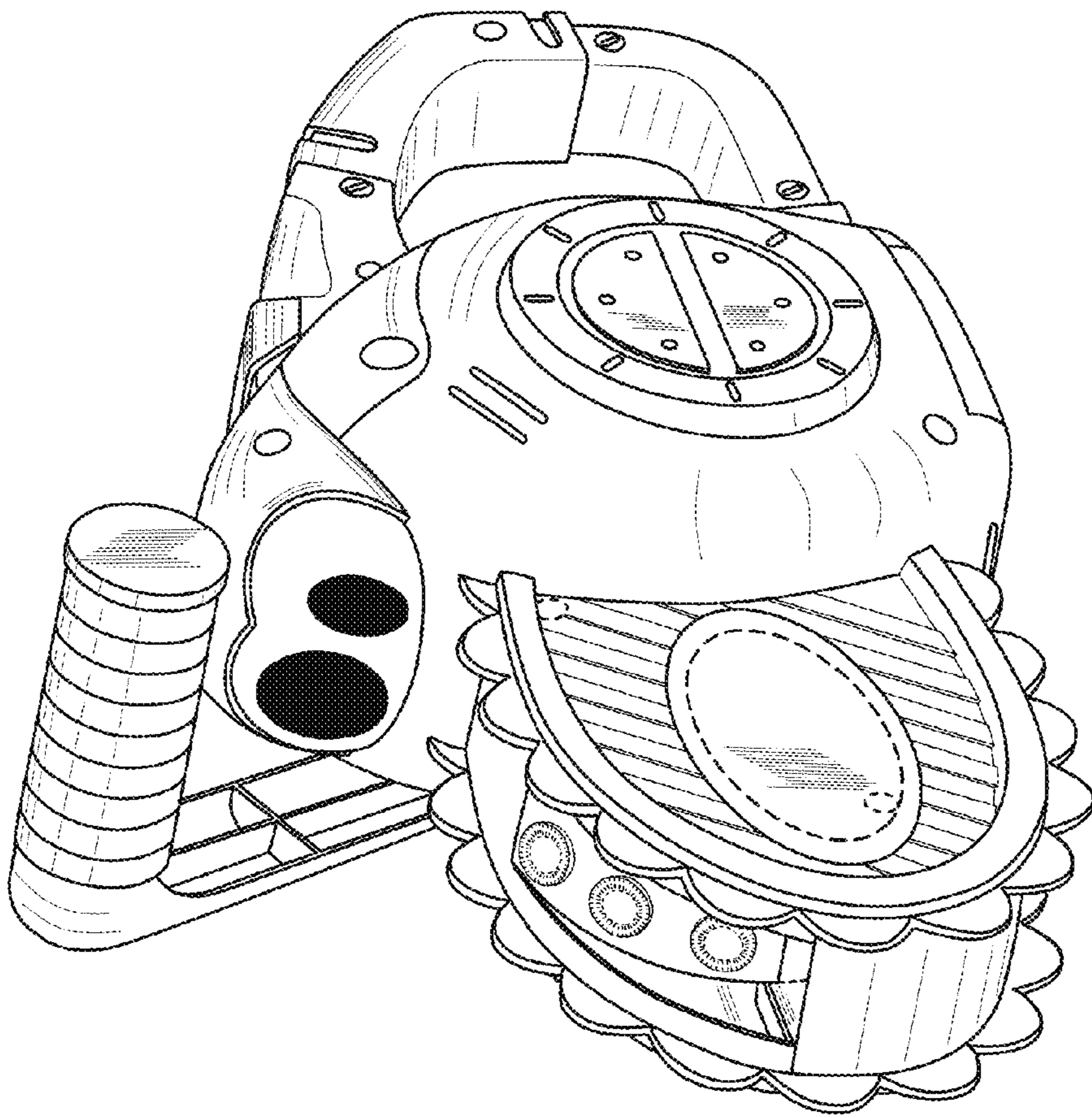


Fig.1

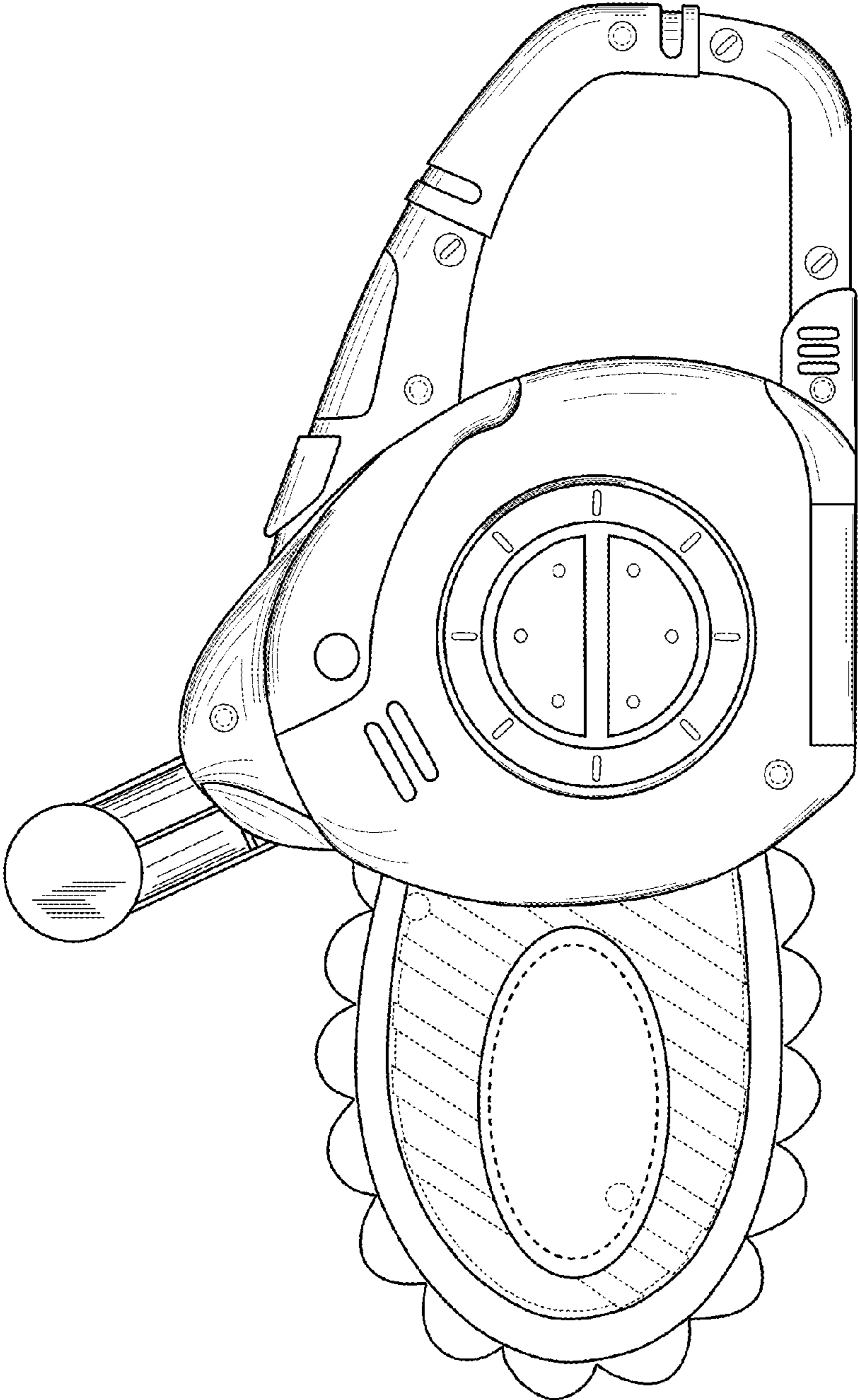


Fig.2

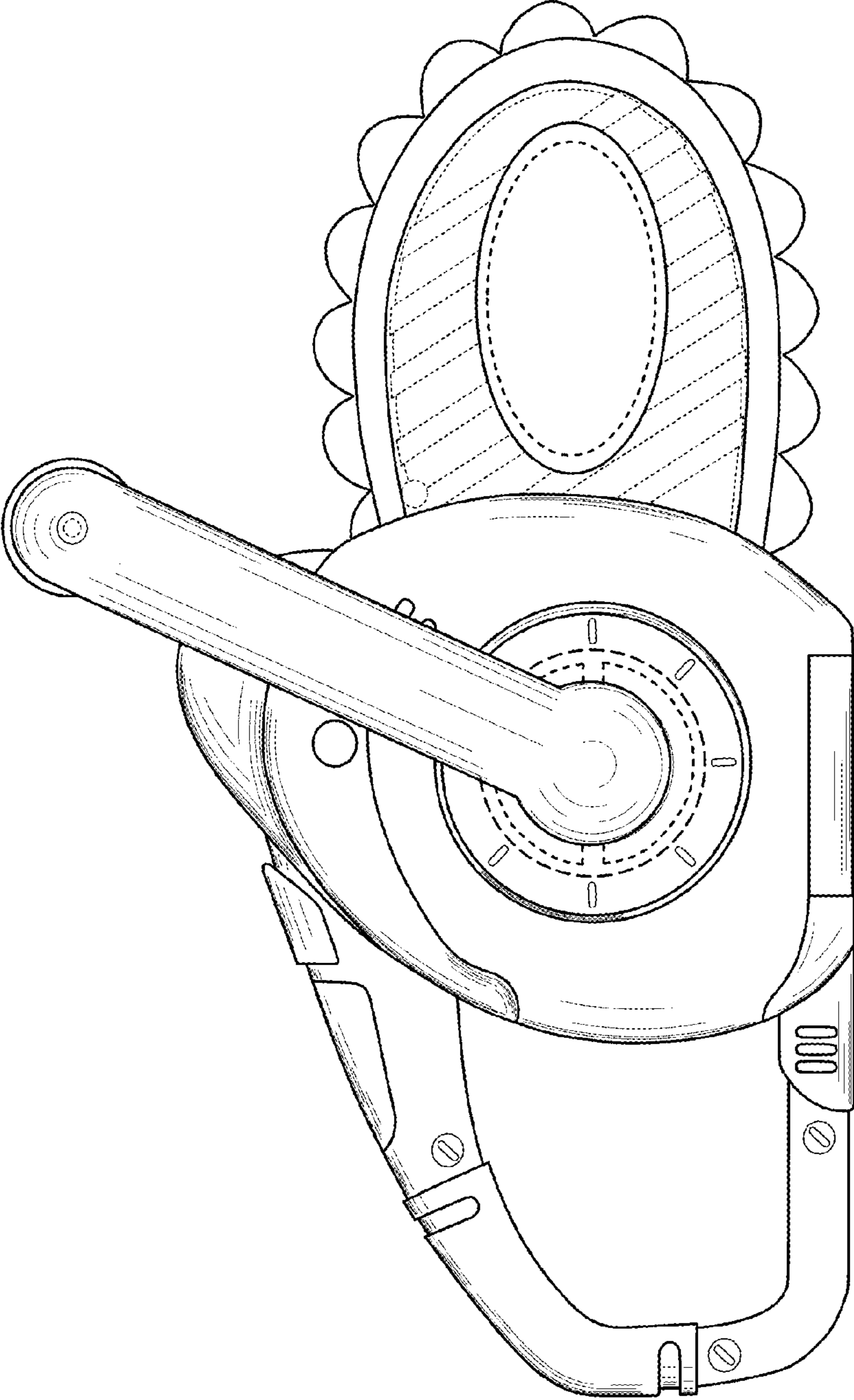


Fig. 3

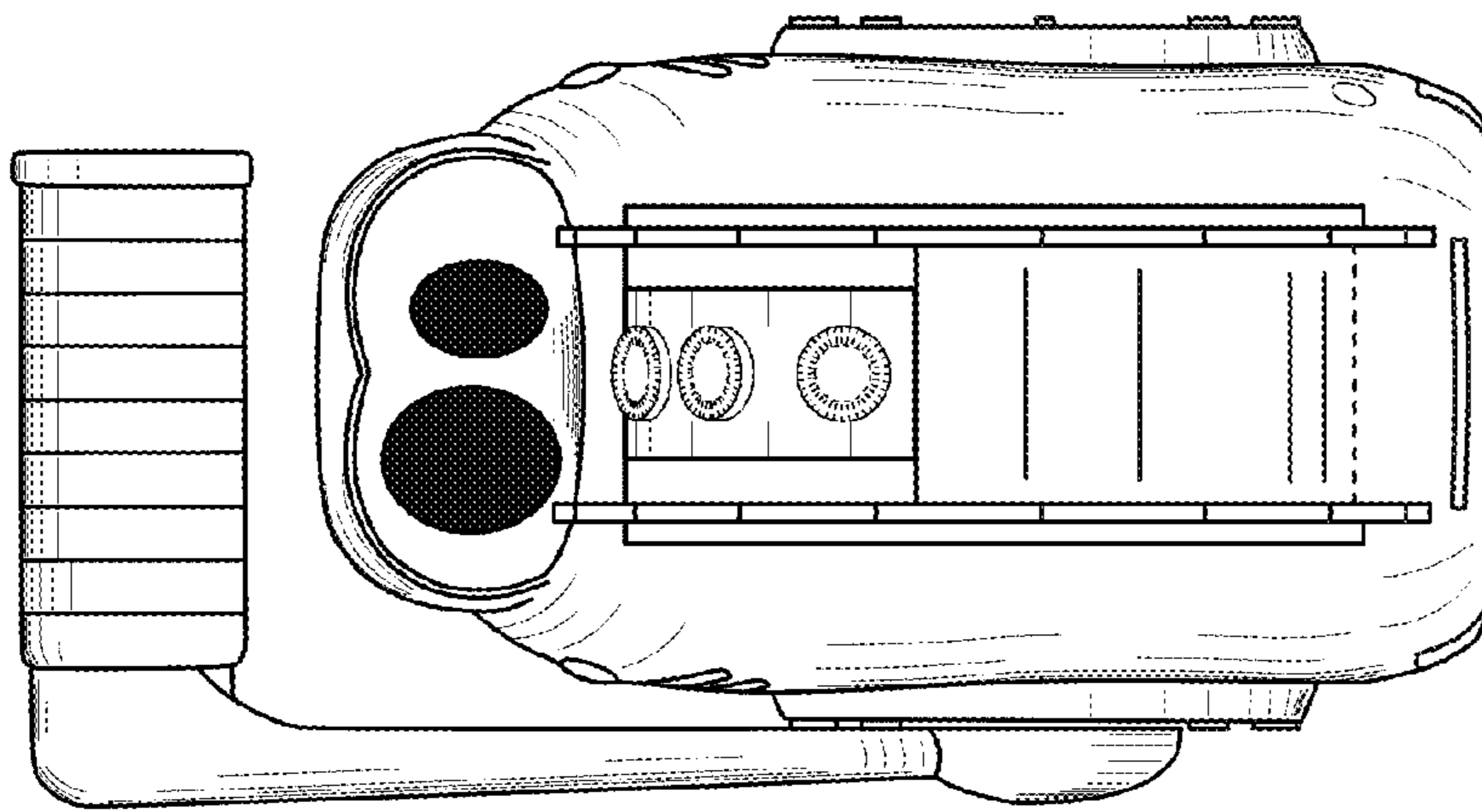


Fig.4

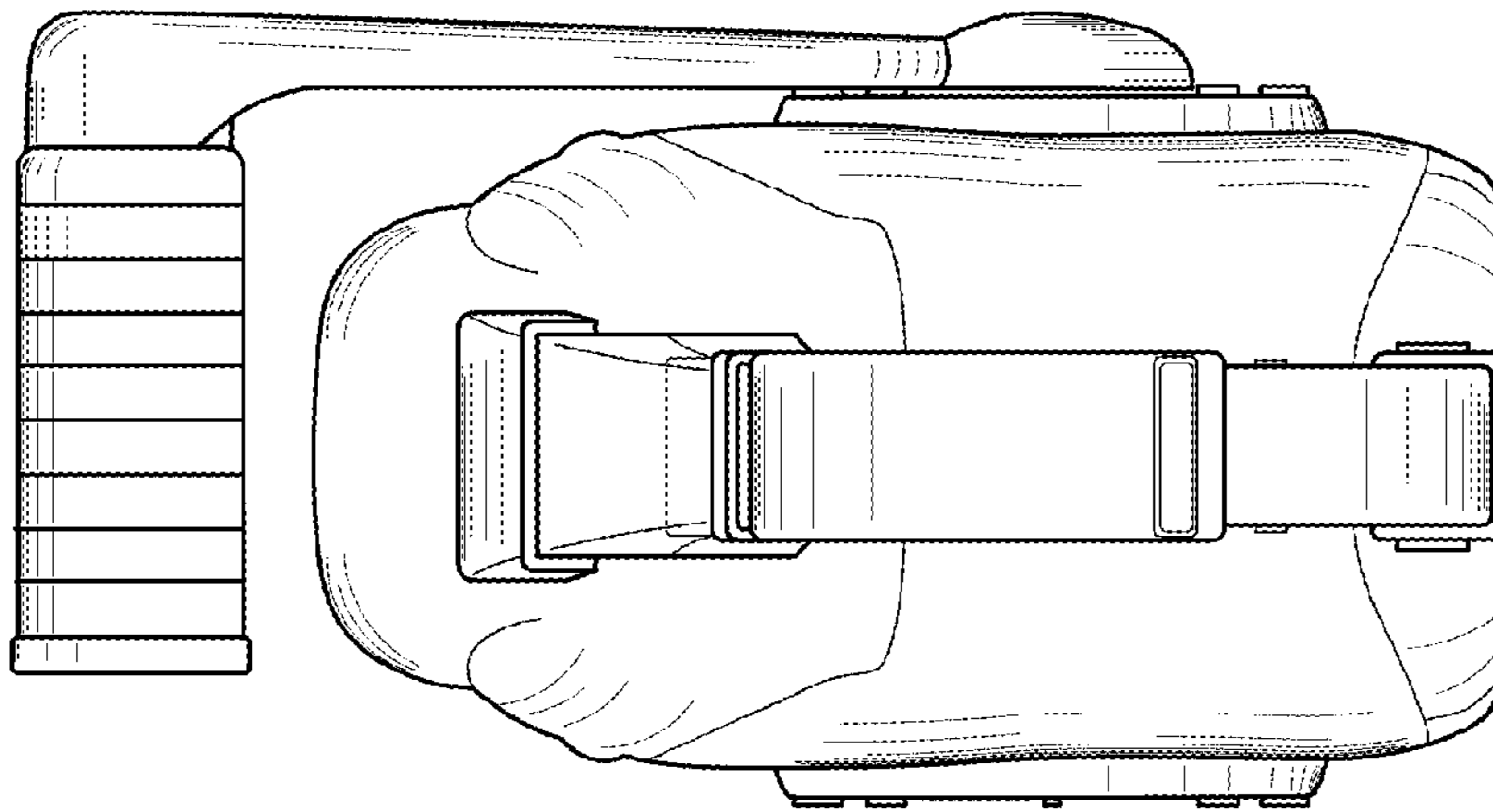


Fig. 5

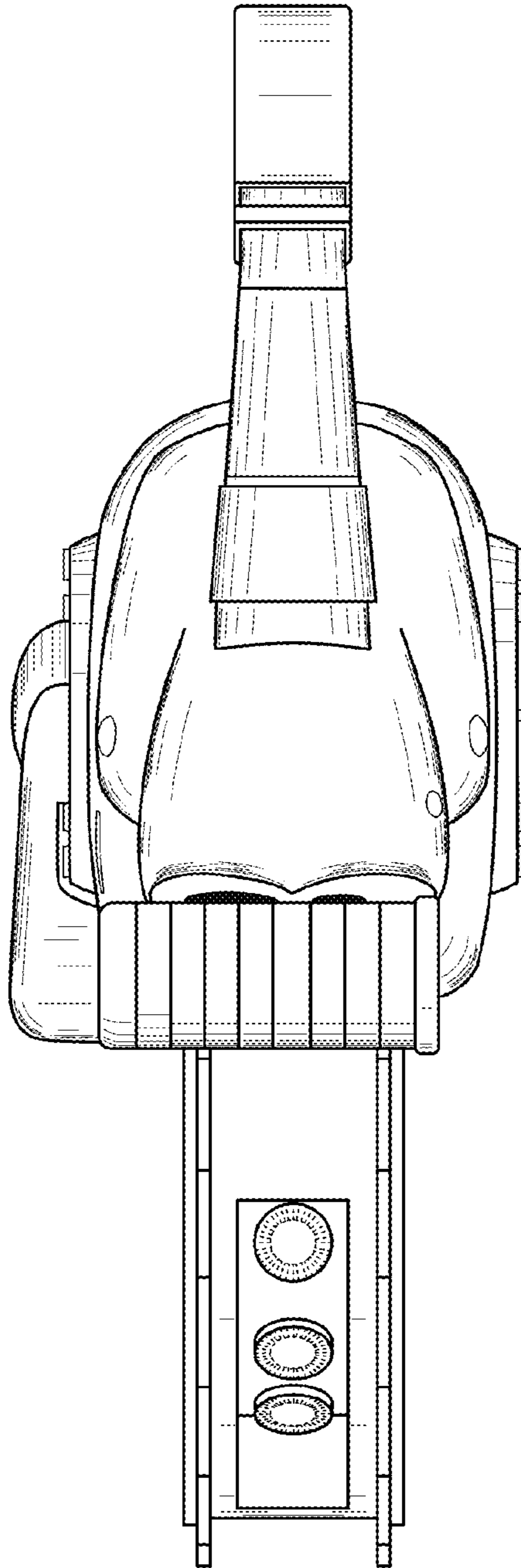


Fig.6

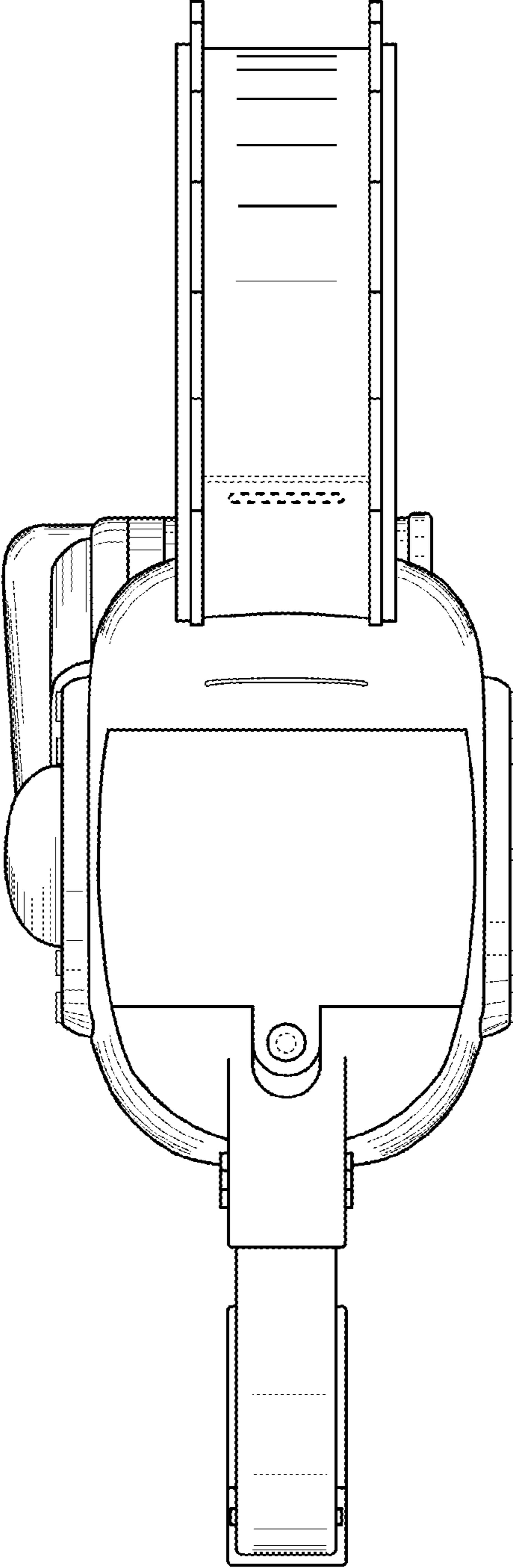


Fig.7