



US00D720812S

(12) **United States Design Patent**
Mestre

(10) **Patent No.:** **US D720,812 S**
(45) **Date of Patent:** **** Jan. 6, 2015**

(54) **MESSAGING DEVICE**

(76) Inventor: **Jorge Mestre**, Boston, MA (US)

(**) Term: **14 Years**

(21) Appl. No.: **29/419,766**

(22) Filed: **May 1, 2012**

(51) **LOC (10) Cl.** **20-03**

(52) **U.S. Cl.**
USPC **D20/19**

(58) **Field of Classification Search**
USPC D20/10, 12, 17-19, 39, 41-43, 99;
40/368, 446-448, 452, 453, 486, 489,
40/513, 530, 535, 537, 538, 541, 542, 559,
40/564, 568, 572, 584, 585, 600, 605,
40/606.03, 606.18, 617, 721; D10/109.1,
D10/109.2, 113.4; D14/203.3, 250; D19/60;
D3/215, 239; 206/320, 449;
361/679.56; 362/812

See application file for complete search history.

(56) **References Cited**

U.S. PATENT DOCUMENTS

4,458,434	A *	7/1984	Ackeret	40/513
4,691,456	A *	9/1987	Ackeret	40/721
6,578,982	B1	6/2003	Lynch	
6,611,244	B1	8/2003	Guritz	
D525,986	S *	8/2006	Kim	D14/203.3
7,347,325	B2 *	3/2008	O'Neill et al.	206/449
7,782,610	B2	8/2010	Diebel et al.	
7,844,310	B2 *	11/2010	Anderson	455/575.1
7,982,698	B2	7/2011	Moulis et al.	
D656,929	S *	4/2012	Hsiung	D14/250
D684,150	S *	6/2013	Goradesky et al.	D14/250
D691,656	S *	10/2013	Merrill et al.	D19/60
D694,226	S *	11/2013	Thompson et al.	D14/250
D697,503	S *	1/2014	Melanson et al.	D14/250
D698,774	S *	2/2014	Wardy	D14/250
2002/0080012	A1	6/2002	Broderick	
2005/0000126	A1 *	1/2005	Gray et al.	40/452

2007/0144047	A1	6/2007	Singh	
2007/0194066	A1	8/2007	Ishihara et al.	
2008/0024961	A1 *	1/2008	Anderson et al.	361/679
2014/0159867	A1	6/2014	Sartee et al.	

OTHER PUBLICATIONS

Hallmark Text Bands 1 Bump Fists_Send Text Band 2 Band_www.textbands.com_April 8, 2013_2 pages.
Kinney, Chance, Endliss Smartcase Has LED Display for Texts, Calls, and Notifications, www.chipchick.com_2013_01_endliss-smartcase.html_January 7, 2013_4 pages.
uNu Electronics Inc. Named as CES Innovations 2013 Design and Engineering Award Honoree_www.prweb.com_releases_2013_1_prweb10300650.html_January 08, 2013_2 pages.
Time Magazine, "Pop Chart, The Culture, WTF Hand Delivery", vol. 180, No. 6, (2012), 3 pages.

* cited by examiner

Primary Examiner — Mary Ann Calabrese
(74) *Attorney, Agent, or Firm* — Foley & Lardner LLP

(57) **CLAIM**

The ornamental design for a messaging device, as shown.

DESCRIPTION

FIG. 1 is a front view of a messaging device.
FIG. 2 is a rear view of a messaging device.
FIG. 3 is a rear view of a messaging device in an alternative open configuration.
FIG. 4 is a left side view of a messaging device.
FIG. 5 is a right side view of a messaging device.
FIG. 6 is a top front perspective view of a messaging device in an alternative open configuration.
FIG. 7 is bottom front perspective view of a messaging device; and,
FIG. 8 is a bottom rear perspective view of a messaging device.

1 Claim, 8 Drawing Sheets

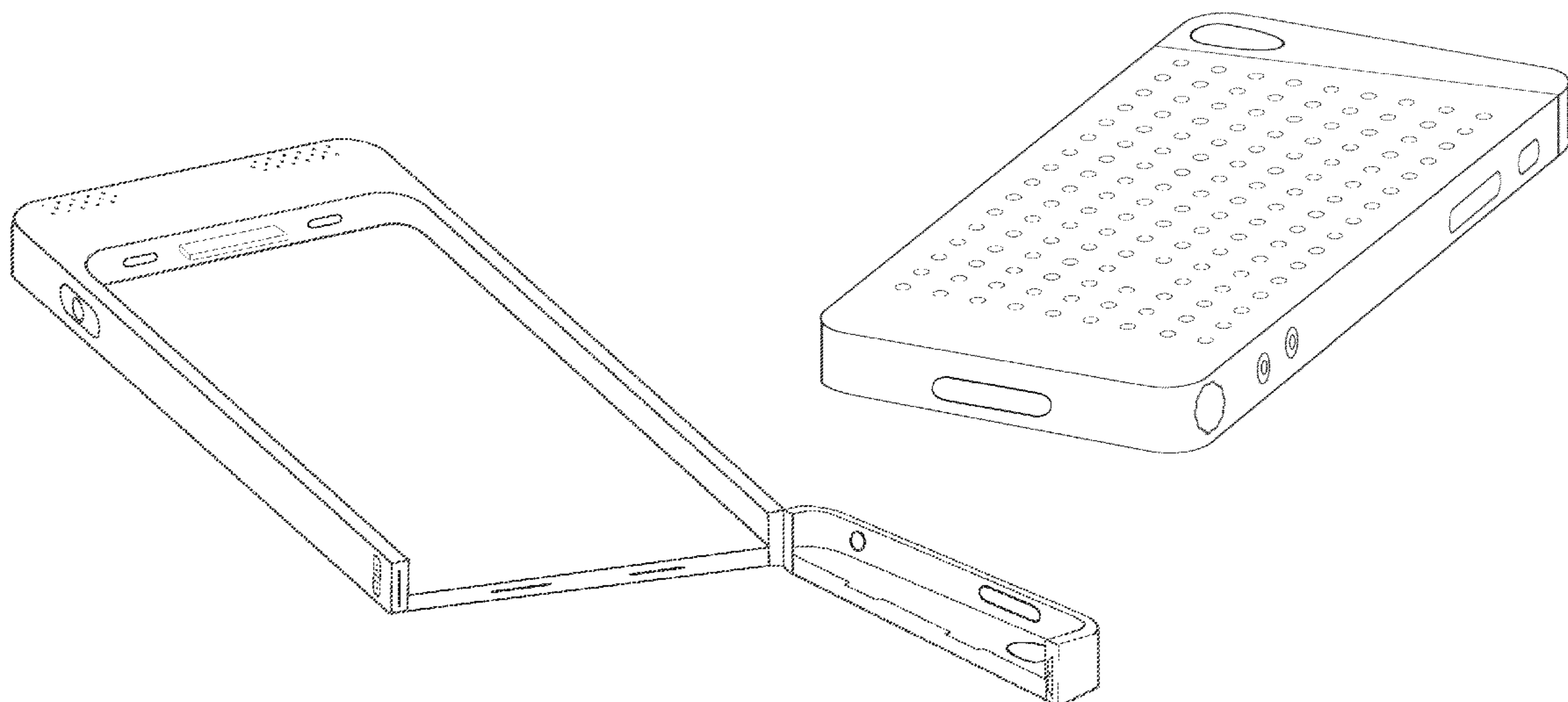


FIG. 1

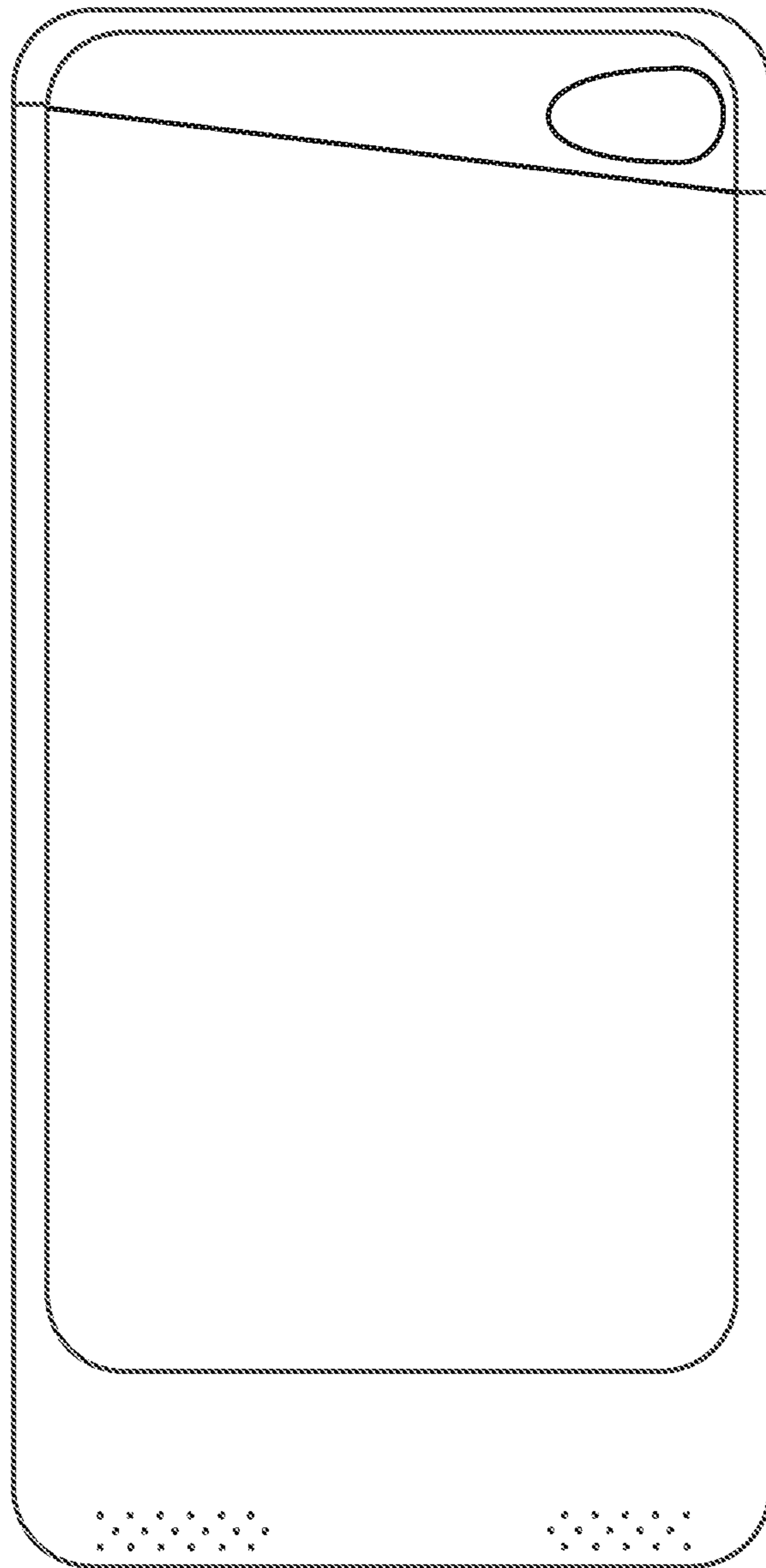
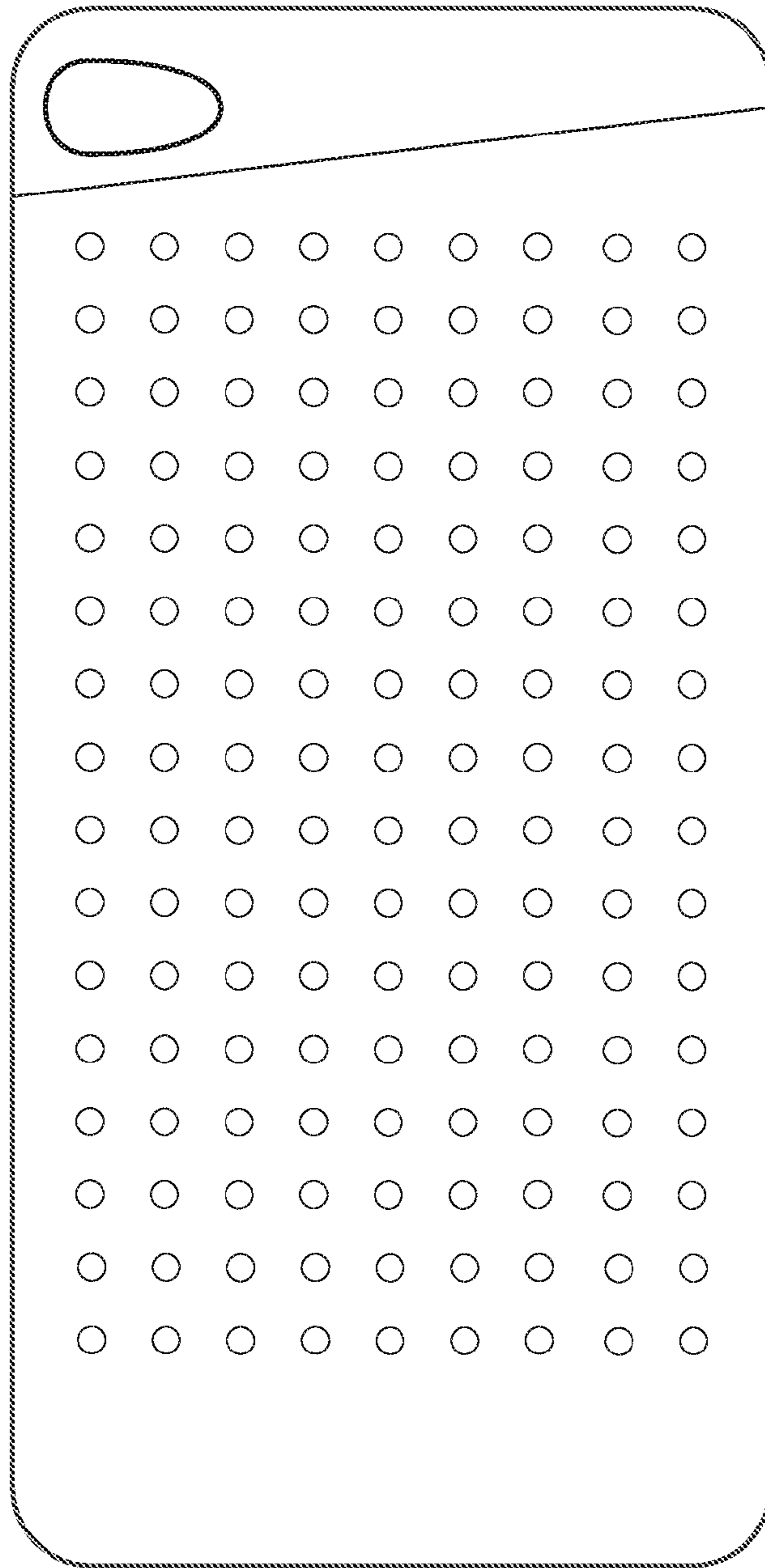


FIG. 2



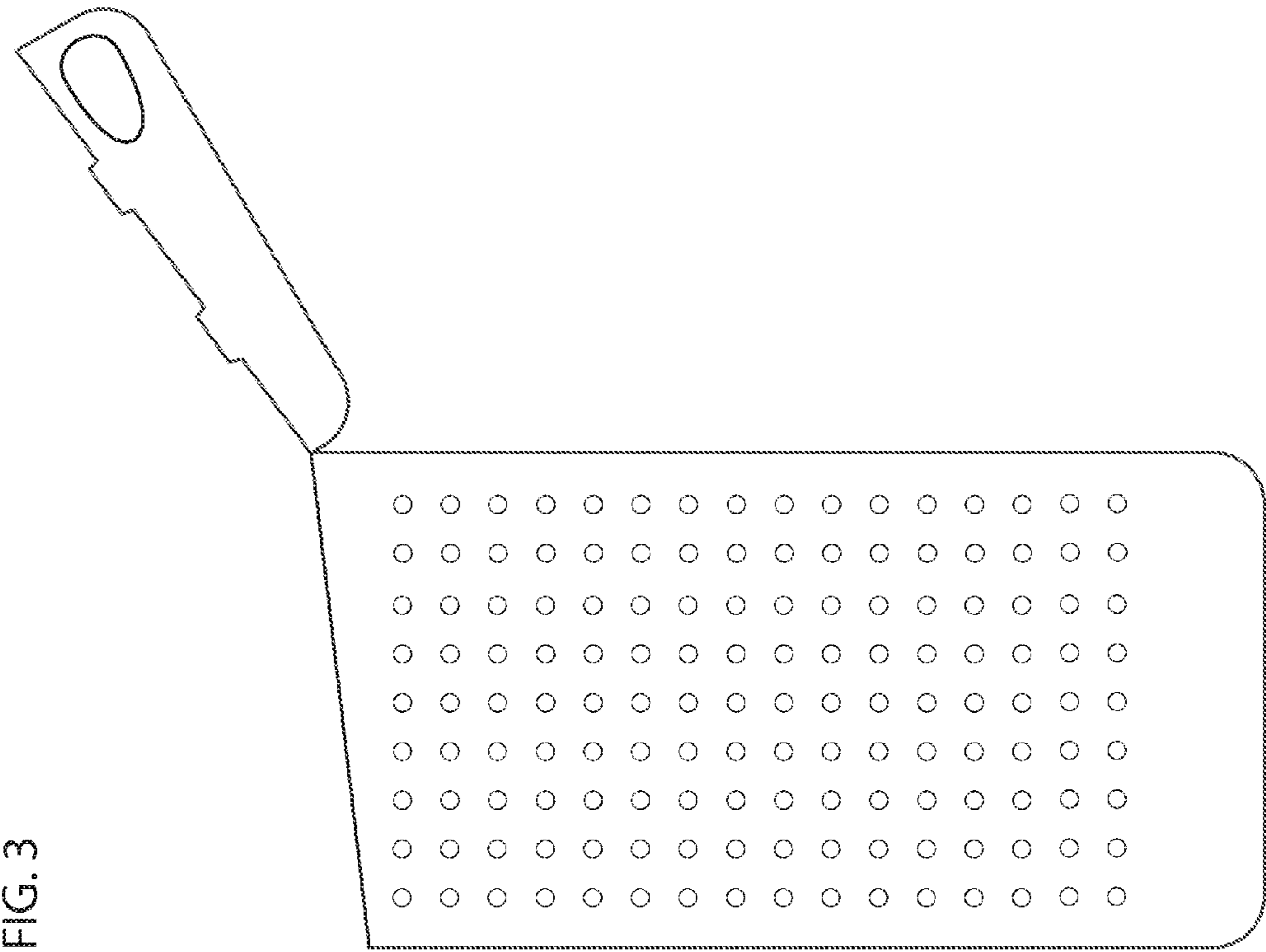


FIG. 3

FIG. 4

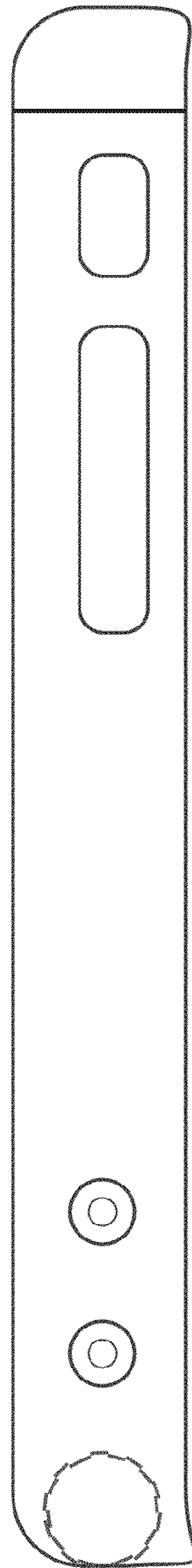
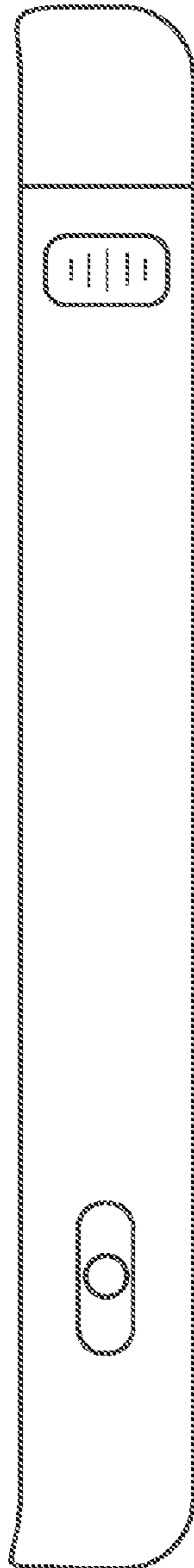


FIG. 5



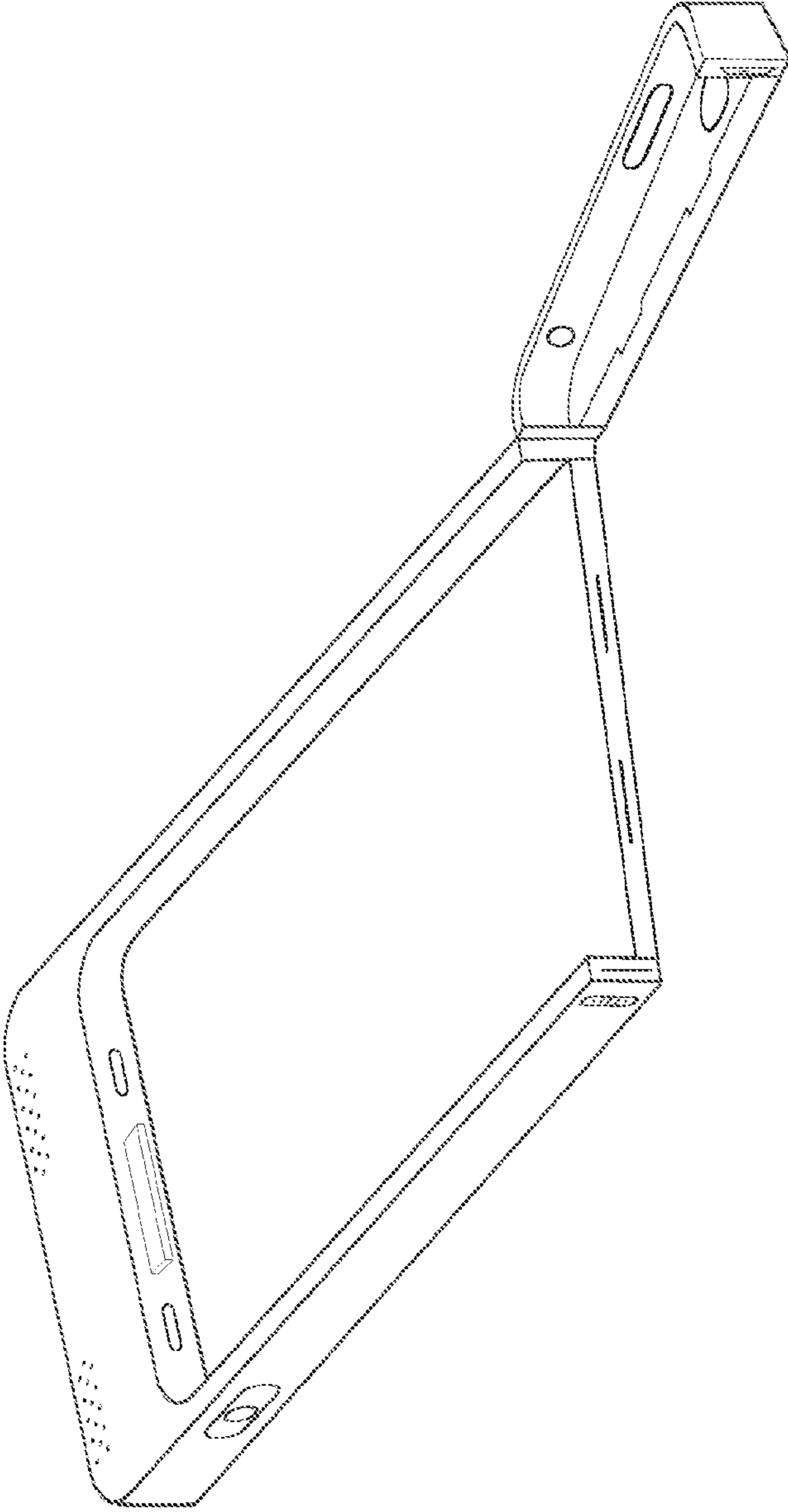


FIG. 6

FIG. 7

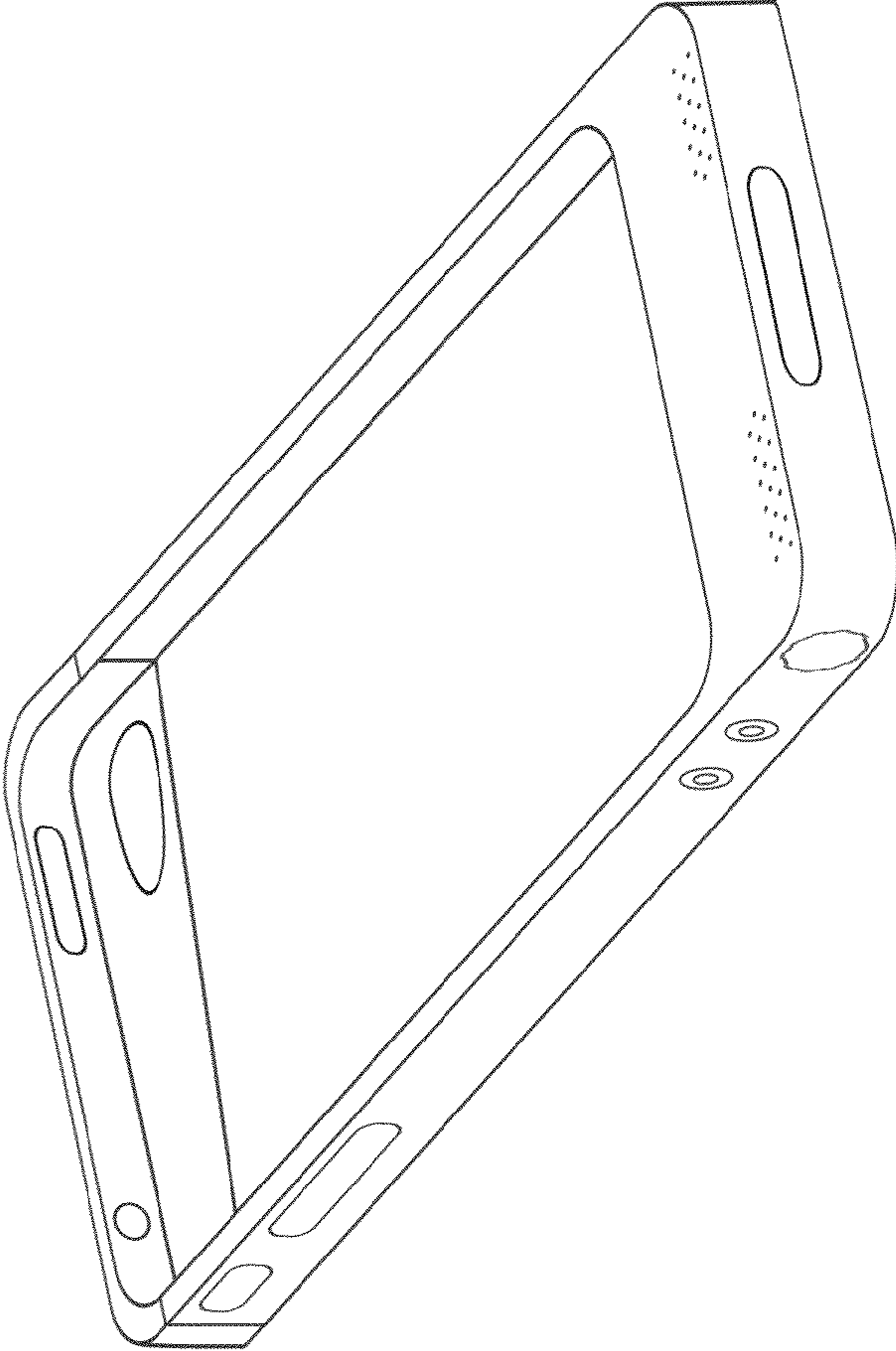


FIG. 8

