



US00D720811S

(12) **United States Design Patent**
Stopak

(10) **Patent No.:** **US D720,811 S**

(45) **Date of Patent:** **** Jan. 6, 2015**

- (54) **PEN**
- (71) Applicant: **Frank Stopak**, Rockville, MD (US)
- (72) Inventor: **Frank Stopak**, Rockville, MD (US)
- (73) Assignee: **Charles Products, Inc.**, Rockville, MD (US)
- (**) Term: **14 Years**
- (21) Appl. No.: **29/456,714**
- (22) Filed: **Jun. 3, 2013**
- (51) **LOC (10) Cl.** **19-06**
- (52) **U.S. Cl.**
USPC **D19/179**; D19/922
- (58) **Field of Classification Search**
USPC D14/411; D19/115-186, 190-204, 921,
D19/922, 923; 24/11 F, 11 P, 11 R; 401/52,
401/99, 192, 195, 196
See application file for complete search history.

5,313,557 A *	5/1994	Osterhout	704/272
D370,126 S *	5/1996	Pfanstiehl et al.	D4/135
D372,271 S *	7/1996	Dworman et al.	D19/51
D402,692 S *	12/1998	Huang	D19/44
D439,612 S *	3/2001	Jones	D19/36
D541,859 S *	5/2007	Stollery et al.	D19/48
7,311,460 B2 *	12/2007	Yu	401/195
7,497,636 B2 *	3/2009	Fielding, Jr.	401/195
D643,465 S *	8/2011	Ng	D19/46
D662,134 S *	6/2012	Stopak	D19/50
D701,267 S *	3/2014	Schweig	D19/170
D701,268 S *	3/2014	Schweig	D19/174

* cited by examiner

Primary Examiner — Elizabeth Albert

(74) *Attorney, Agent, or Firm* — Andrew C. Aitken

(57) **CLAIM**

The ornamental design for a pen, as shown and described.

DESCRIPTION

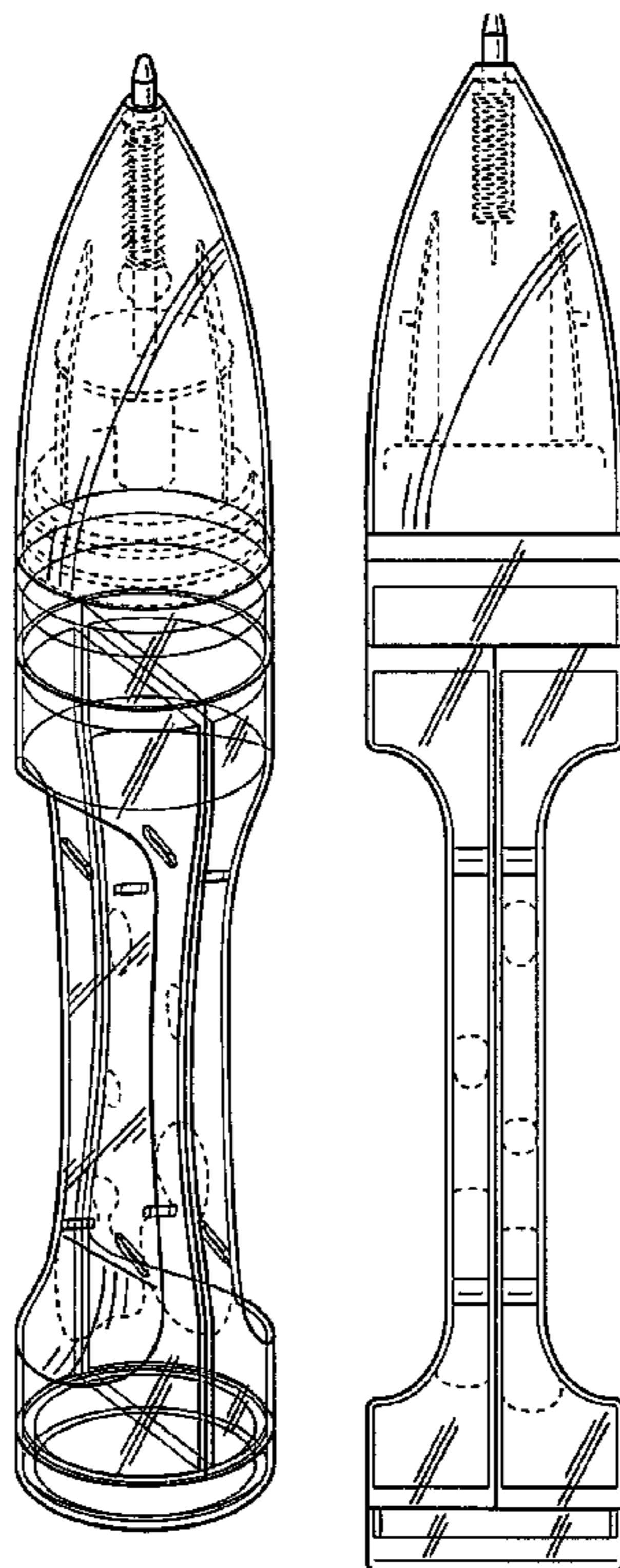
FIG. 1 is a perspective view of my new design for a pen;
 FIG. 2 is a side view in elevation of the new design;
 FIG. 3 is a side view in elevation of the new design oriented 180° from that shown in FIG. 2;
 FIG. 4 is a side view in elevation of the new design oriented at a position 90° from the view depicted in FIG. 3;
 FIG. 5 is a side view in elevation from a direction 180° from that depicted in FIG. 4;
 FIG. 6 is a top view of the pen; and,
 FIG. 7 is a bottom view of the pen.
 The broken lines showing features on the inside in FIGS. 1, 2, 3, 4 and 5 are included for the purpose of showing features that form no part of the claimed design.

1 Claim, 4 Drawing Sheets

(56) **References Cited**

U.S. PATENT DOCUMENTS

1,655,719 A *	1/1928	Wilkinson	401/265
D141,747 S *	7/1945	Winter	D19/55
3,159,863 A *	12/1964	La Mura	401/101
4,541,630 A *	9/1985	Dirks	273/144 B
D294,263 S *	2/1988	Rodgers et al.	D14/411
D294,519 S *	3/1988	Hardy, Jr.	D24/144
4,964,024 A *	10/1990	Tsay	362/118
D327,476 S *	6/1992	Valls et al.	D14/411
D345,991 S *	4/1994	Tzong-Taur	D19/36



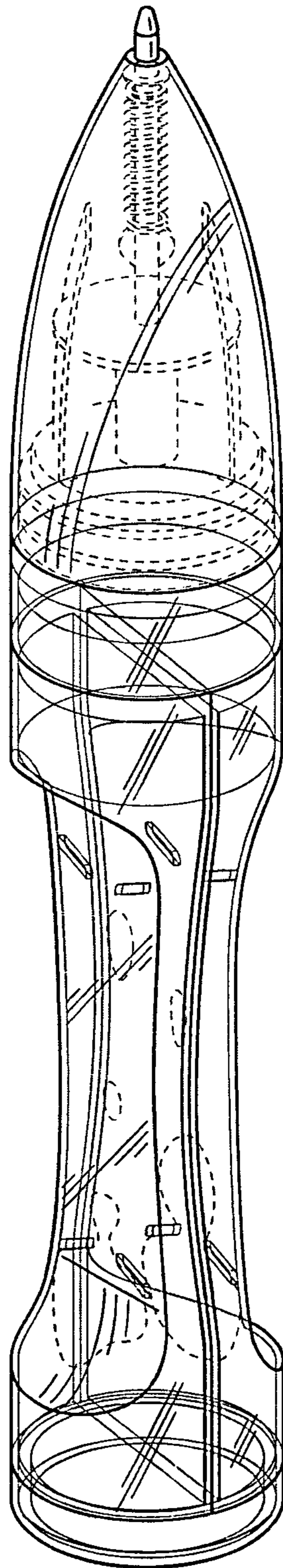


FIG. 1

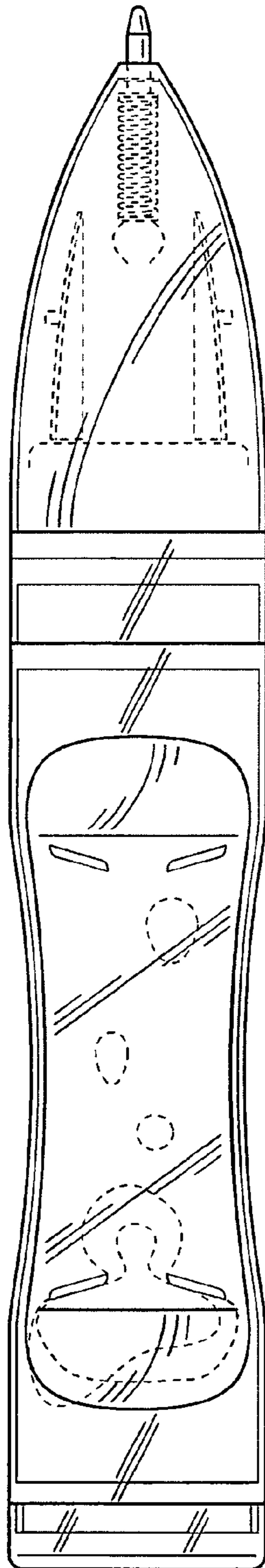


FIG. 2

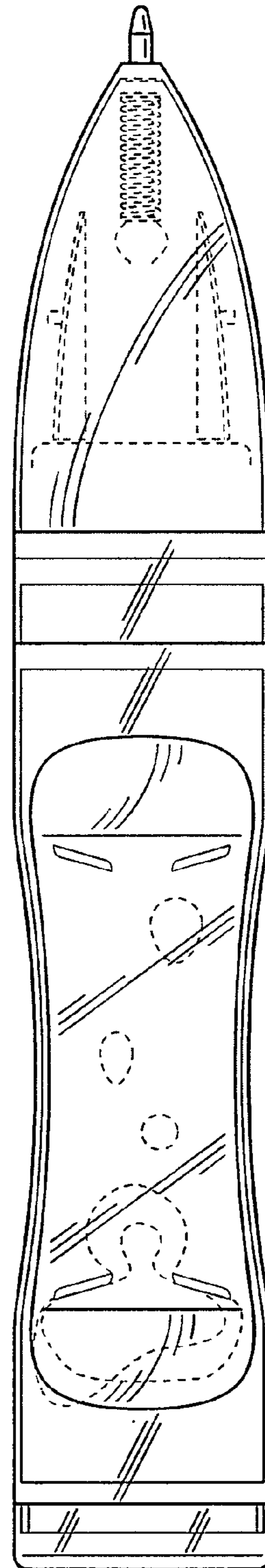


FIG. 3

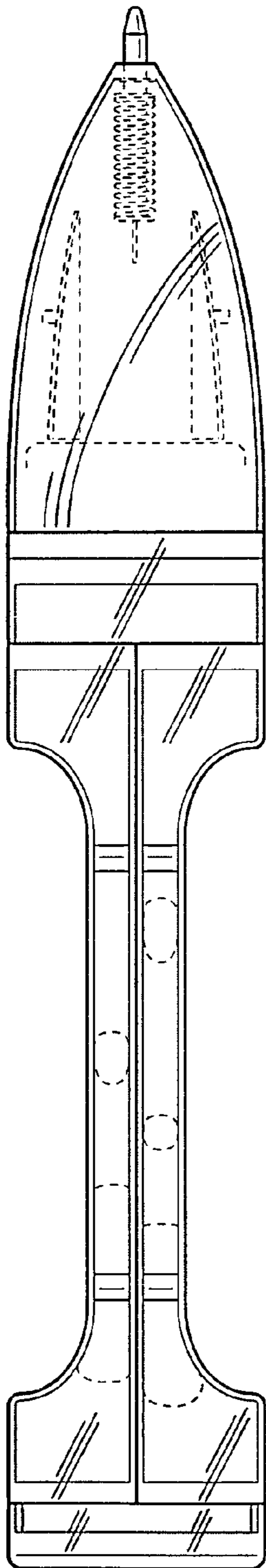


FIG. 4

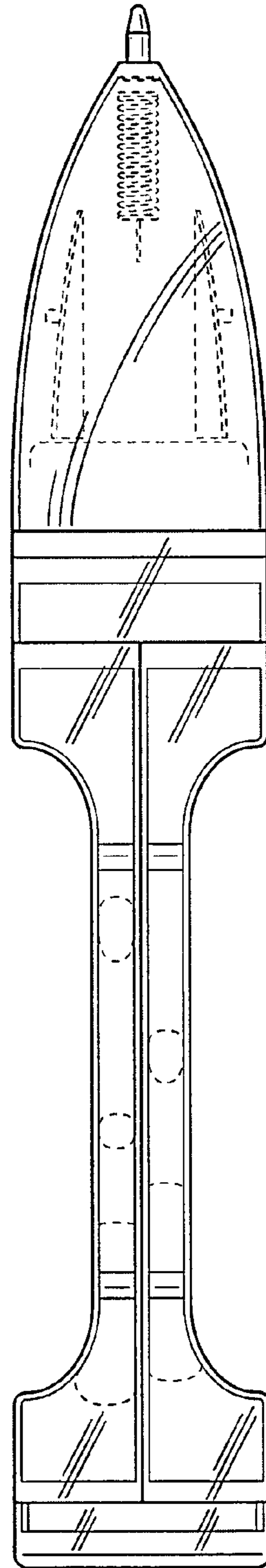


FIG. 5

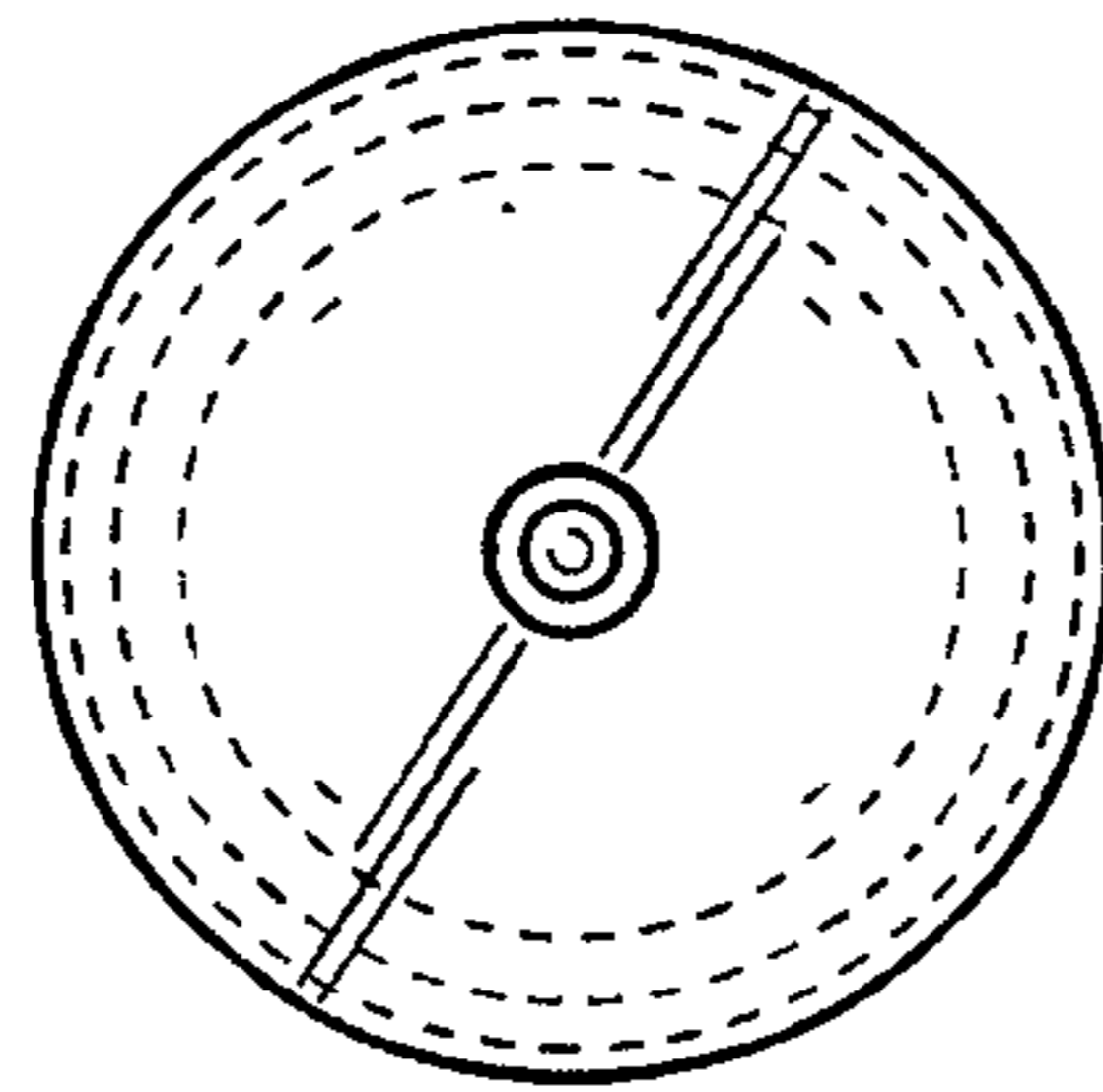


FIG. 6

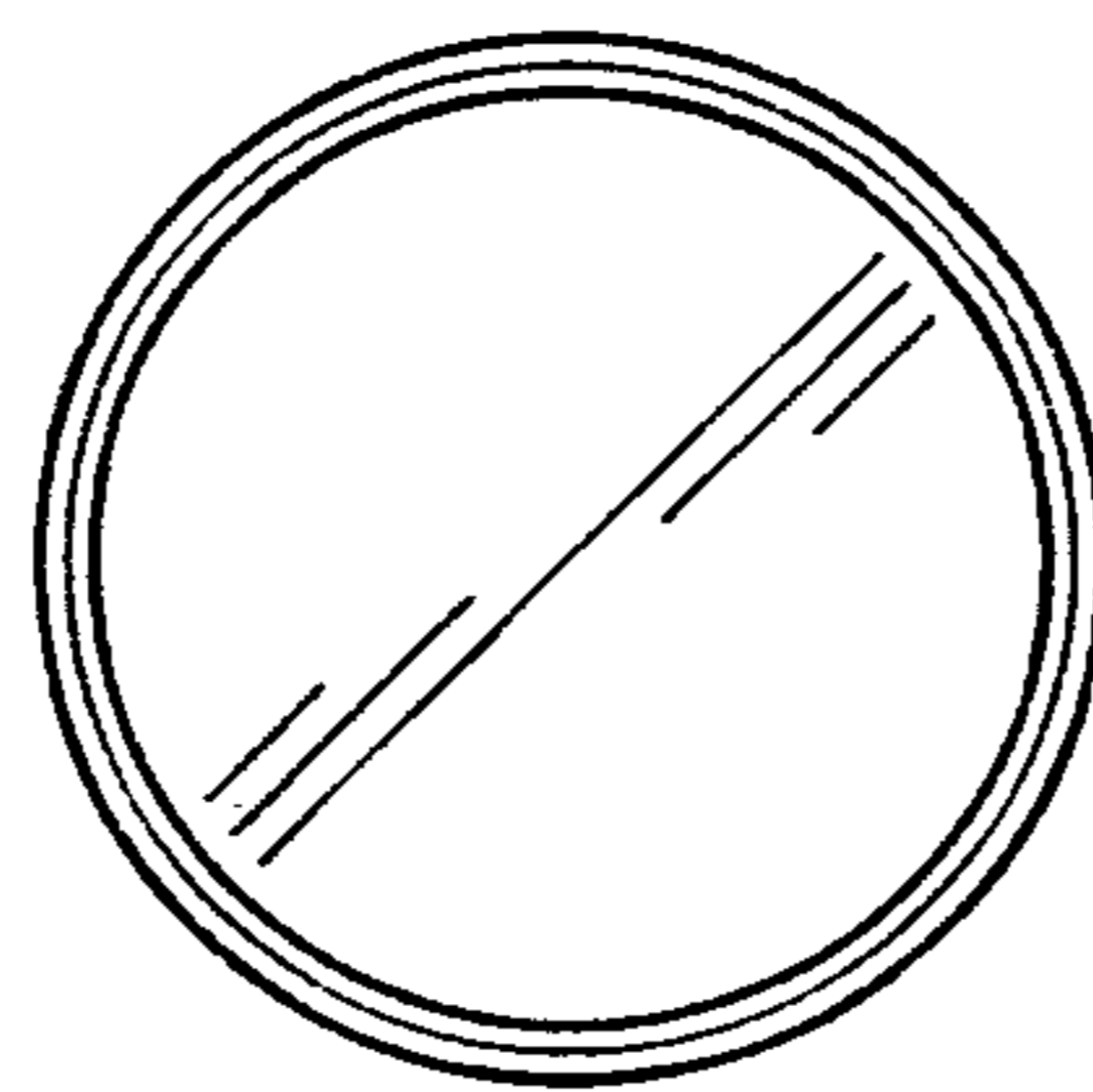


FIG. 7