



US00D720809S

(12) **United States Design Patent**
Jour

(10) **Patent No.:** **US D720,809 S**
(45) **Date of Patent:** **** Jan. 6, 2015**

- (54) **NOTEPAPER DISPENSER**
- (71) Applicant: **David C. T. Jour**, Taipei (TW)
- (72) Inventor: **David C. T. Jour**, Taipei (TW)
- (73) Assignee: **Kudos Finder Trading Co., Ltd.**, Taipei (TW)
- (**) Term: **14 Years**
- (21) Appl. No.: **29/471,483**
- (22) Filed: **Oct. 31, 2013**
- (51) **LOC (10) Cl.** **19-02**
- (52) **U.S. Cl.**
USPC **D19/86**
- (58) **Field of Classification Search**
USPC D6/512, 672; D19/75, 86, 87, 90, 91,
D19/92; D20/43; 40/341, 658; 206/39.5,
206/215, 494, 555; 211/45, 48, 50, 89.01;
221/34, 52, 56; D3/304
See application file for complete search history.

D286,165	S	*	10/1986	Rooney	D19/75
5,074,426	A	*	12/1991	Goodhart et al.	220/4.24
5,332,096	A	*	7/1994	Battaglia	206/532
D425,412	S	*	5/2000	Breidenbach et al.	D9/741
D445,024	S	*	7/2001	Breidenbach et al.	D9/741
D530,814	S	*	10/2006	Bonny et al.	D24/104
D561,992	S	*	2/2008	Linsley	D3/271.1
D585,298	S	*	1/2009	Yakoby	D9/688
D612,042	S	*	3/2010	Noren	D24/104
D661,192	S	*	6/2012	Hwang	D9/504
D665,072	S	*	8/2012	Trento et al.	D24/104
D667,176	S	*	9/2012	Crane et al.	D30/160
D691,480	S	*	10/2013	Shukla	D9/504
8,597,236	B2	*	12/2013	Nassiri et al.	604/78
2003/0077688	A1	*	4/2003	Matner et al.	435/31

* cited by examiner

Primary Examiner — Elizabeth Albert

(57) **CLAIM**

An ornamental design for a notepaper dispenser, as shown and described.

DESCRIPTION

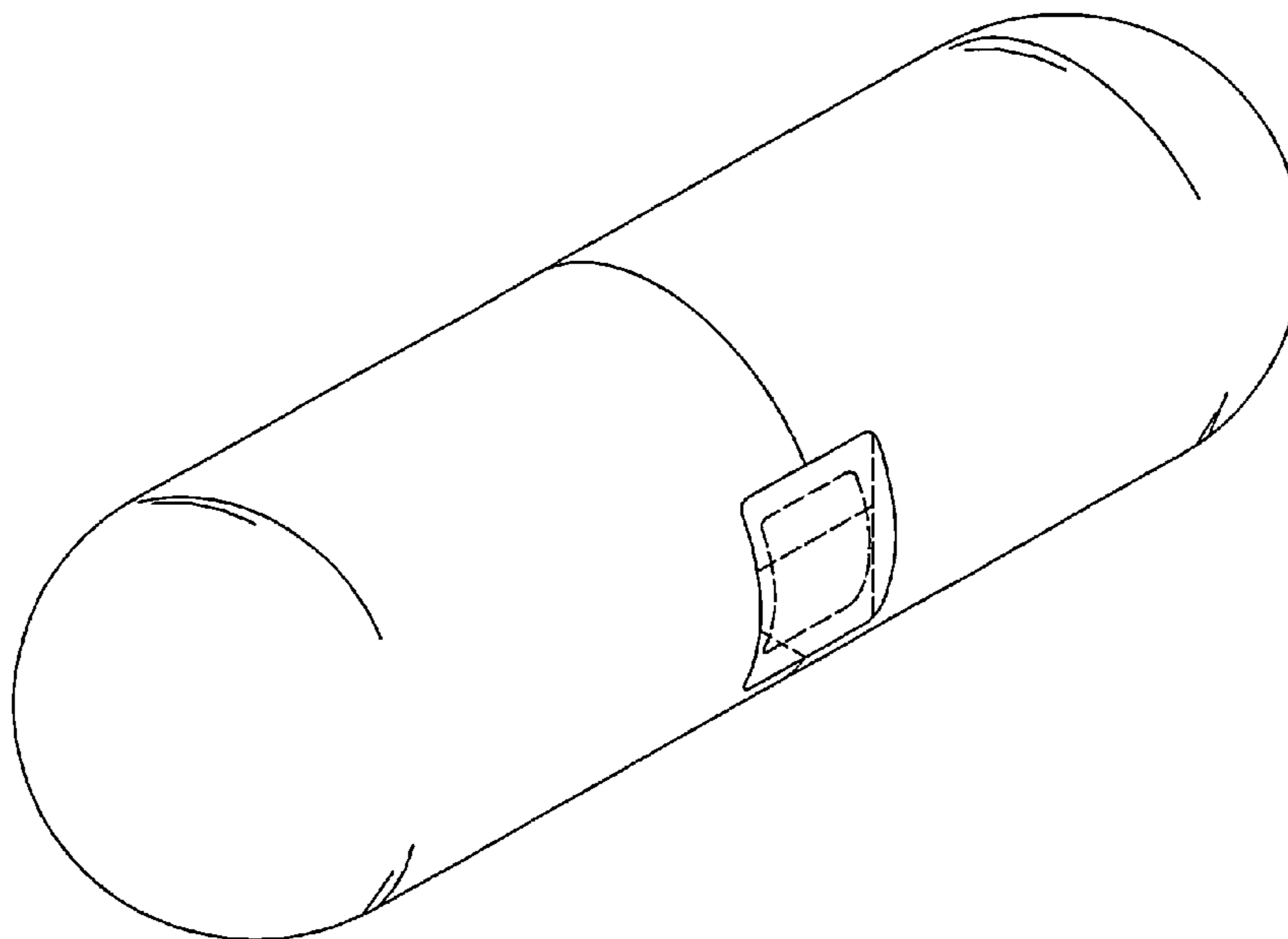
FIG. 1 is a front view of the notepaper dispenser showing my new design;
 FIG. 2 is a rear view thereof;
 FIG. 3 is a left side view thereof;
 FIG. 4 is a right side view thereof;
 FIG. 5 is a top plan view thereof;
 FIG. 6 is a bottom plan view thereof; and,
 FIG. 7 is a perspective view thereof.
 The broken lines in FIGS. 1, 2, and 7 are included for the purpose of showing features on the notepaper dispenser that form no part of the claimed design.

1 Claim, 4 Drawing Sheets

(56) **References Cited**

U.S. PATENT DOCUMENTS

400,491	A	*	4/1889	Ross	604/226
2,340,037	A	*	1/1944	Zipper	424/453
2,577,577	A	*	12/1951	Groh	401/83
3,345,265	A	*	10/1967	Grodberg et al.	424/475
3,702,653	A	*	11/1972	Mottin et al.	206/534
4,040,536	A	*	8/1977	Schwarz	220/8
D261,105	S	*	10/1981	Schwartz	D9/504
D262,606	S	*	1/1982	Kaufmann	D9/521
4,393,974	A	*	7/1983	Levesque	206/37
4,601,896	A	*	7/1986	Nugent	424/453



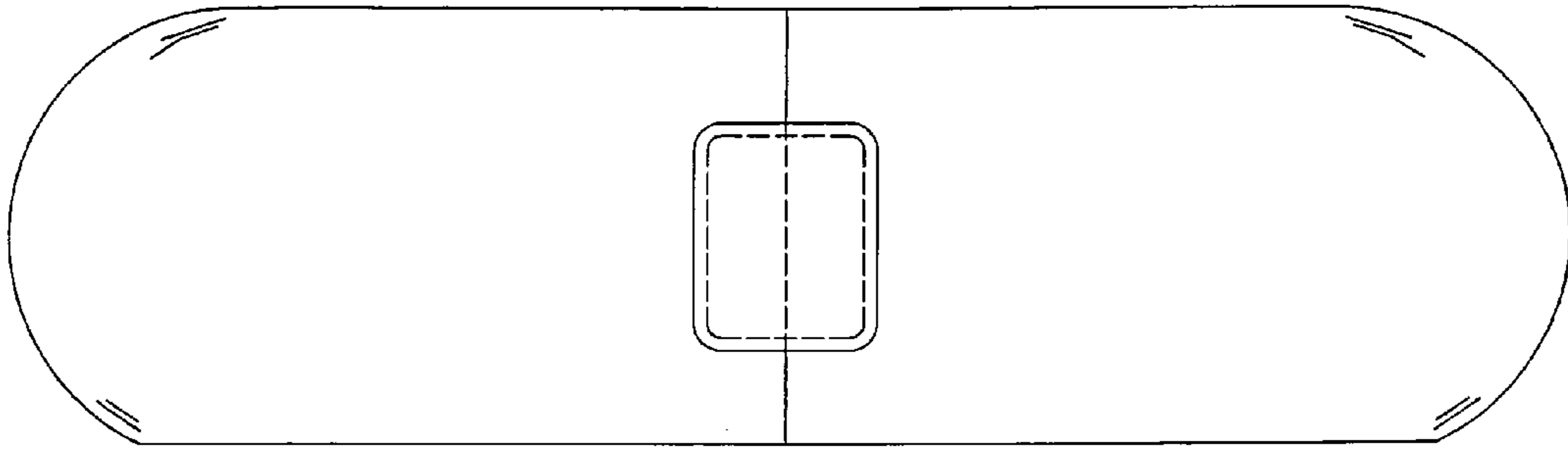


Fig. 1

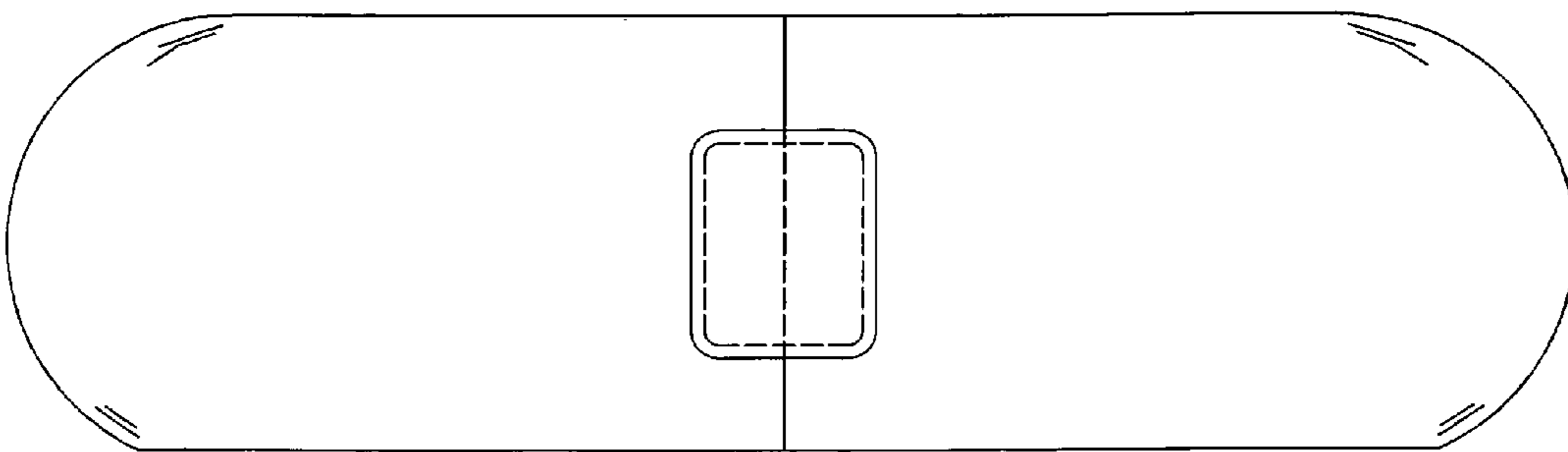


Fig. 2

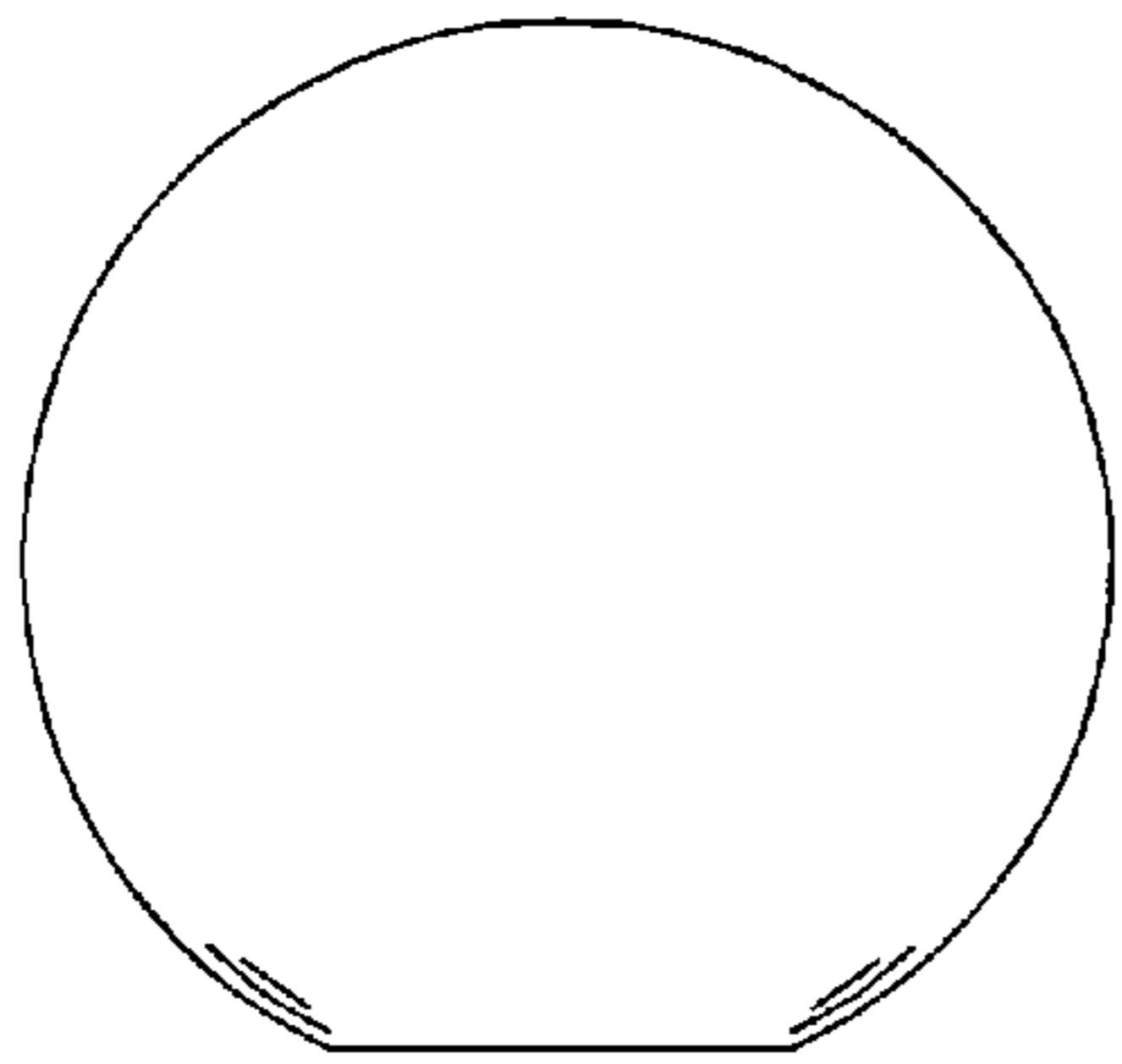


Fig. 3

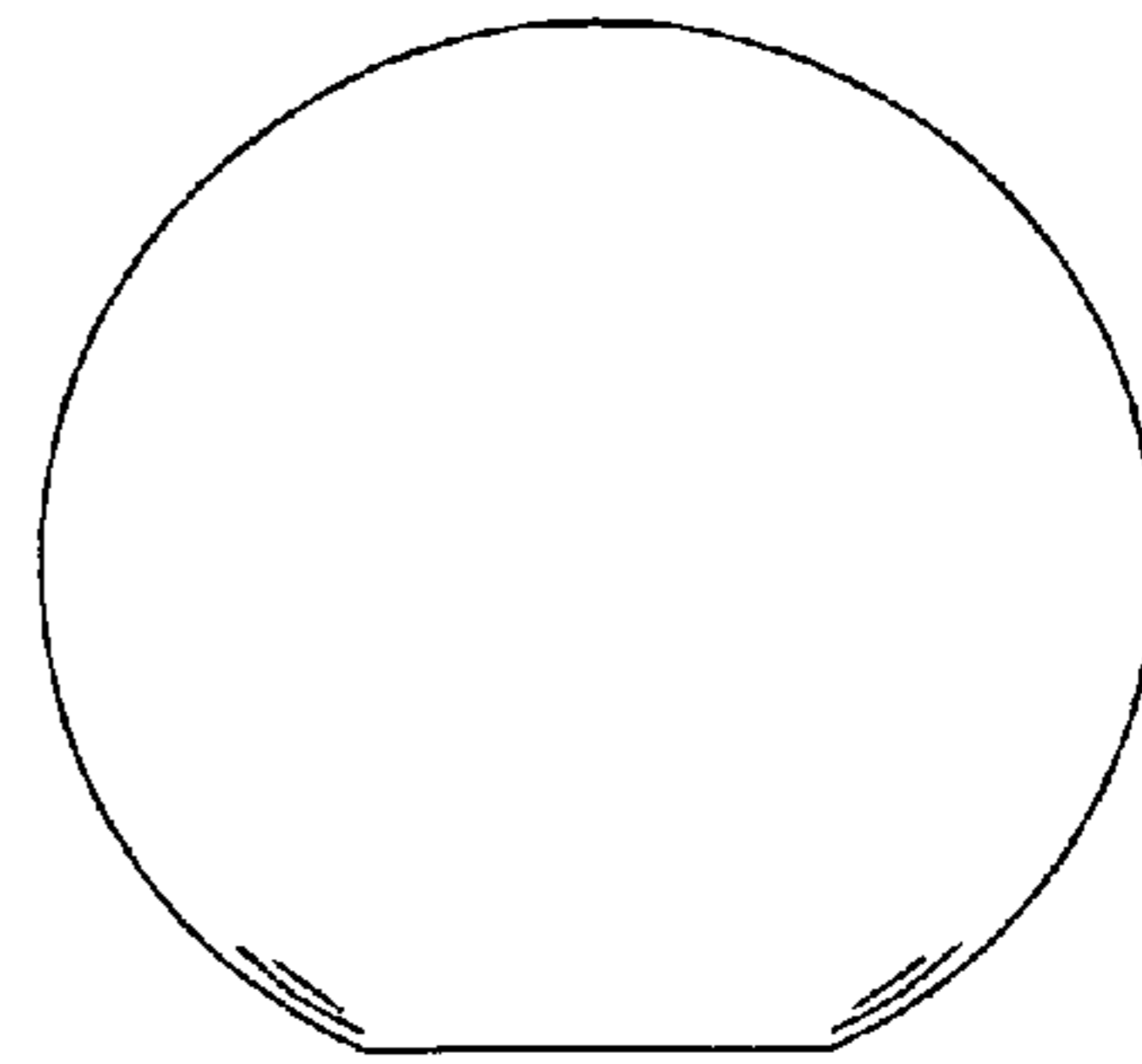


Fig. 4

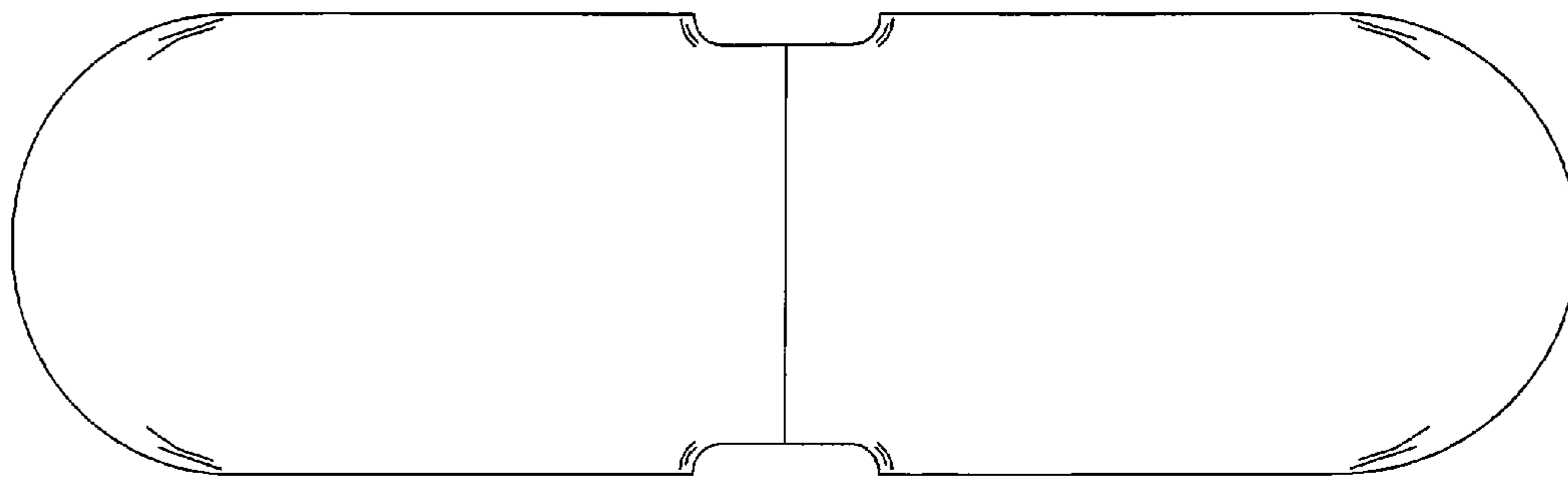


Fig. 5

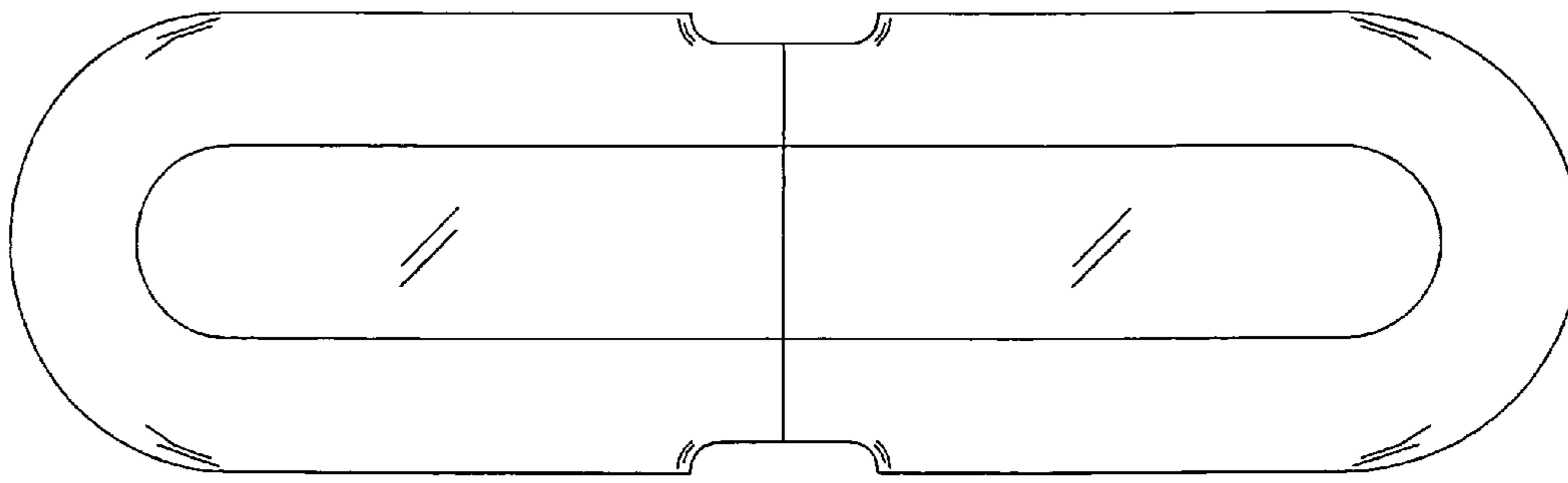


Fig. 6

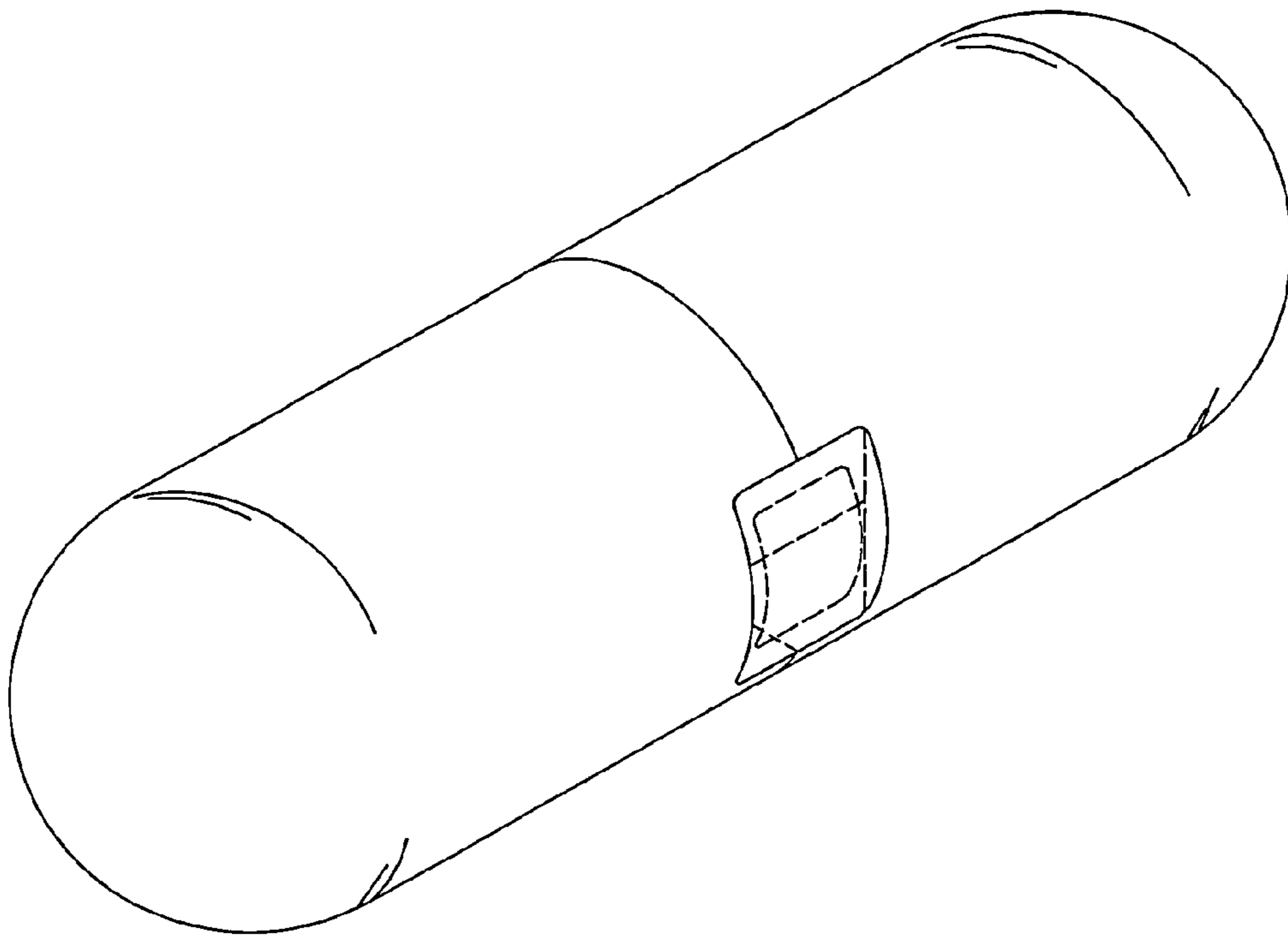


Fig. 7