



US00D720808S

(12) **United States Design Patent**  
**Weiland**

(10) **Patent No.:** **US D720,808 S**

(45) **Date of Patent:** **\*\* Jan. 6, 2015**

(54) **PENCIL AND CRAYON SHARPENER**

(71) Applicant: **Melissa & Doug, LLC**, Wilton, CT (US)

(72) Inventor: **Ken Weiland**, Brookfield, CT (US)

(73) Assignee: **Melissa & Doug, LLC**, Wilton, CT (US)

(\*\*) Term: **14 Years**

(21) Appl. No.: **29/481,945**

(22) Filed: **Feb. 12, 2014**

(51) **LOC (10) Cl.** ..... **19-06**

(52) **U.S. Cl.**  
USPC ..... **D19/73**

(58) **Field of Classification Search**  
USPC ..... D19/72, 73, 74; 30/451-462; 144/28.1,  
144/28.11, 28.2-28.7, 28.72, 28.8, 28.9  
See application file for complete search history.

(56) **References Cited**

**U.S. PATENT DOCUMENTS**

D53,870	S *	9/1919	Wilson	.....	D19/99
1,887,422	A *	11/1932	Oulton	.....	30/459
D142,863	S *	11/1945	Hoffmann	.....	D19/73
2,525,854	A *	10/1950	Becker	.....	30/454
2,691,960	A *	10/1954	Leeds et al.	.....	30/454
5,647,138	A *	7/1997	Tang et al.	.....	30/454
5,987,759	A *	11/1999	Nita	.....	30/454
6,279,237	B1 *	8/2001	Luttgens	.....	30/454
6,286,218	B1 *	9/2001	Luttgens	.....	30/454

6,397,480	B1 *	6/2002	Mak et al.	.....	30/457
6,571,480	B1 *	6/2003	Qiu	.....	30/457
6,974,026	B2 *	12/2005	Chan et al.	.....	206/224
D557,605	S *	12/2007	Reber et al.	.....	D9/453
D622,319	S *	8/2010	Stukenkemper	.....	D19/73
2012/0192995	A1 *	8/2012	Chen	.....	144/28.8
2013/0174429	A1 *	7/2013	Constantine et al.	.....	30/454

\* cited by examiner

*Primary Examiner* — Elizabeth Albert

(74) *Attorney, Agent, or Firm* — Cooper & Dunham LLP

(57) **CLAIM**

I claim the ornamental design for pencil and crayon sharpener, as shown and described.

**DESCRIPTION**

FIG. 1 is a perspective view of the pencil and crayon sharpener of the claimed design.

FIG. 2 is a side view of the pencil and crayon sharpener of the claimed design.

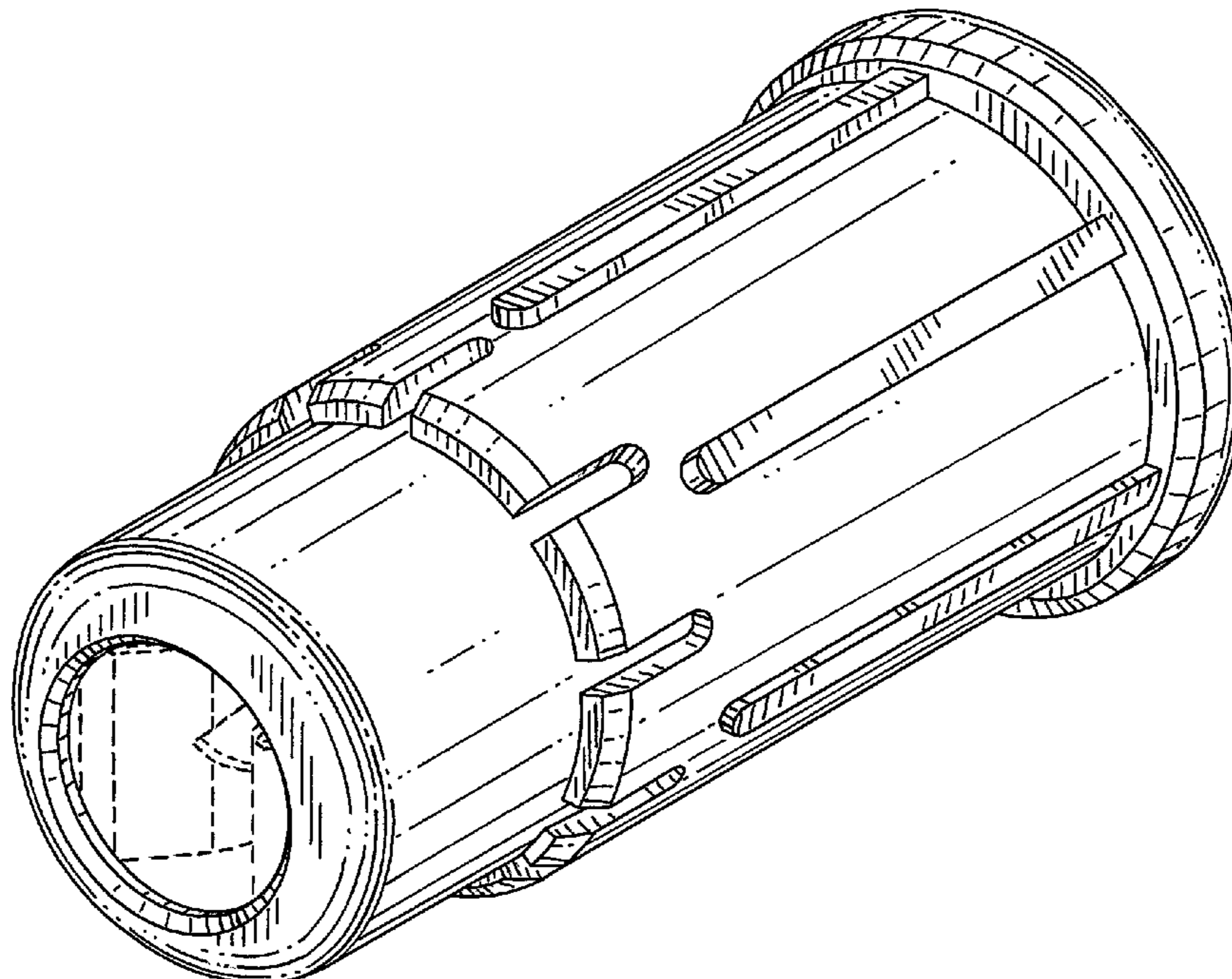
FIG. 3 is an end view, showing the end that is on the left hand side of FIG. 1 of the pencil and crayon sharpener of the claimed design.

FIG. 4 is a side view of the pencil and crayon sharpener of the claimed design, showing the side opposite to that of FIG. 2; and,

FIG. 5 is an end view of the pencil and crayon sharpener of the claimed design.

The broken lines showing features on the inside in FIGS. 1 and 3 are included for the purpose of showing features that form no part of the claimed design.

**1 Claim, 3 Drawing Sheets**



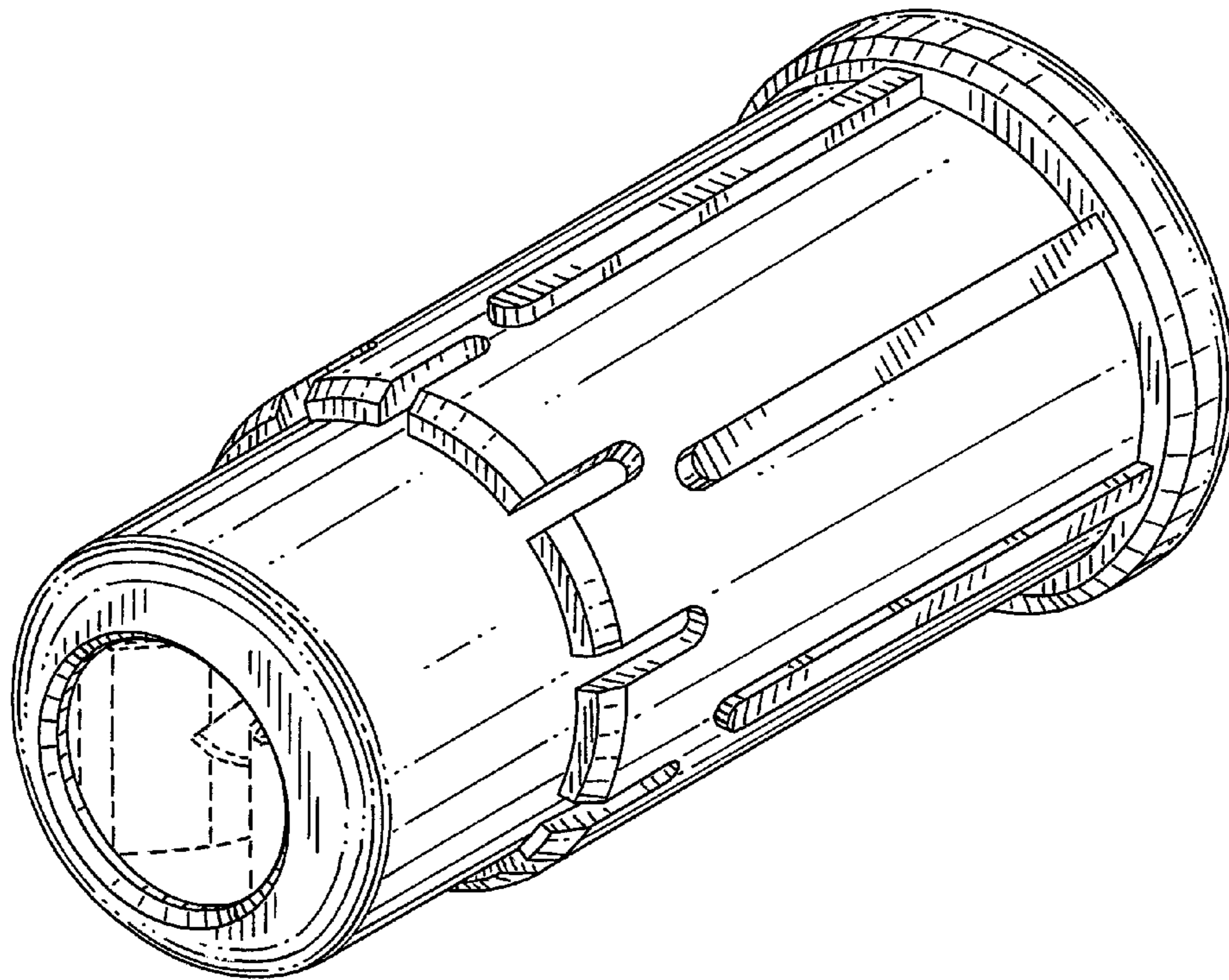


FIG. 1

FIG. 2

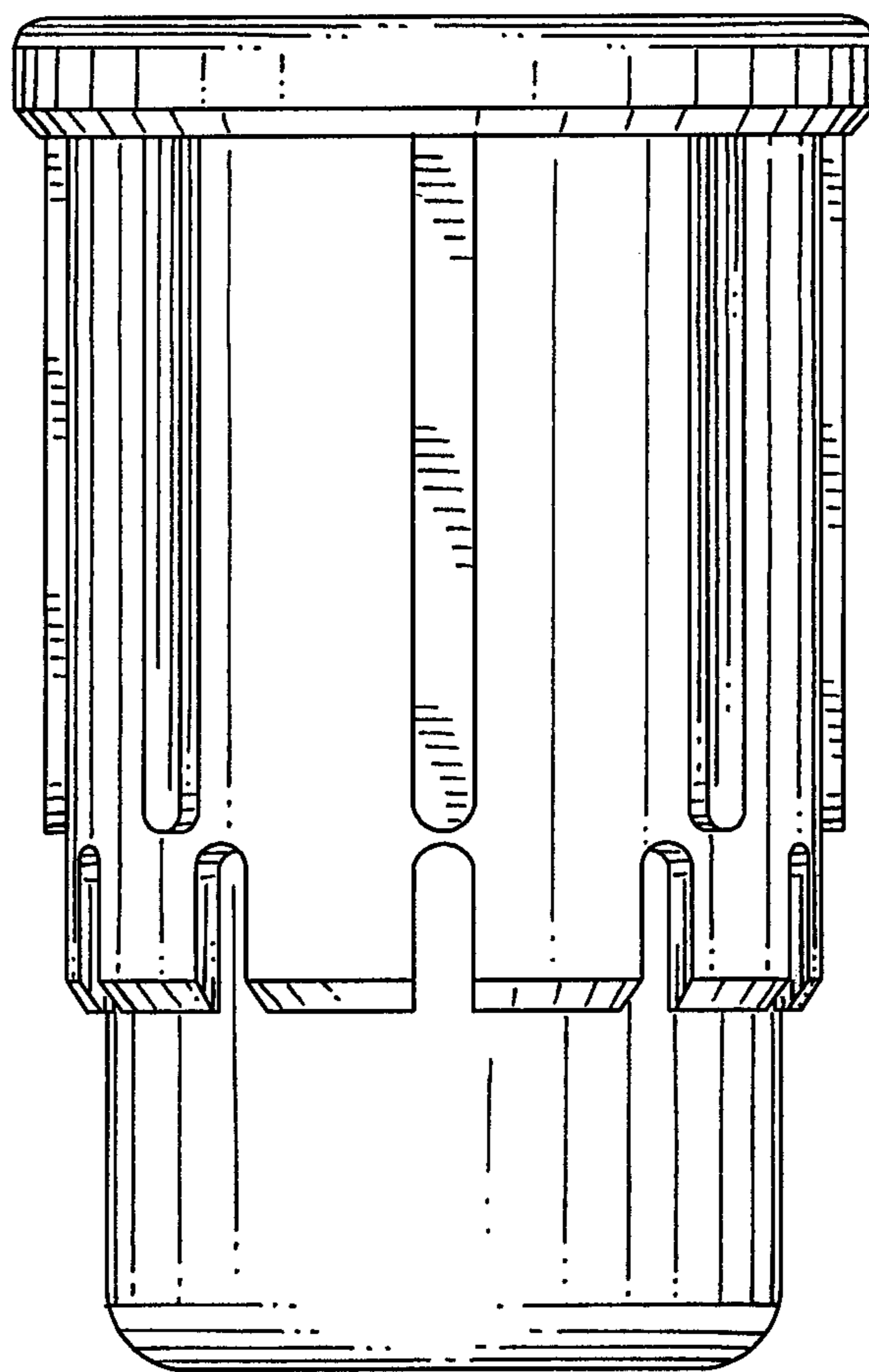


FIG. 3

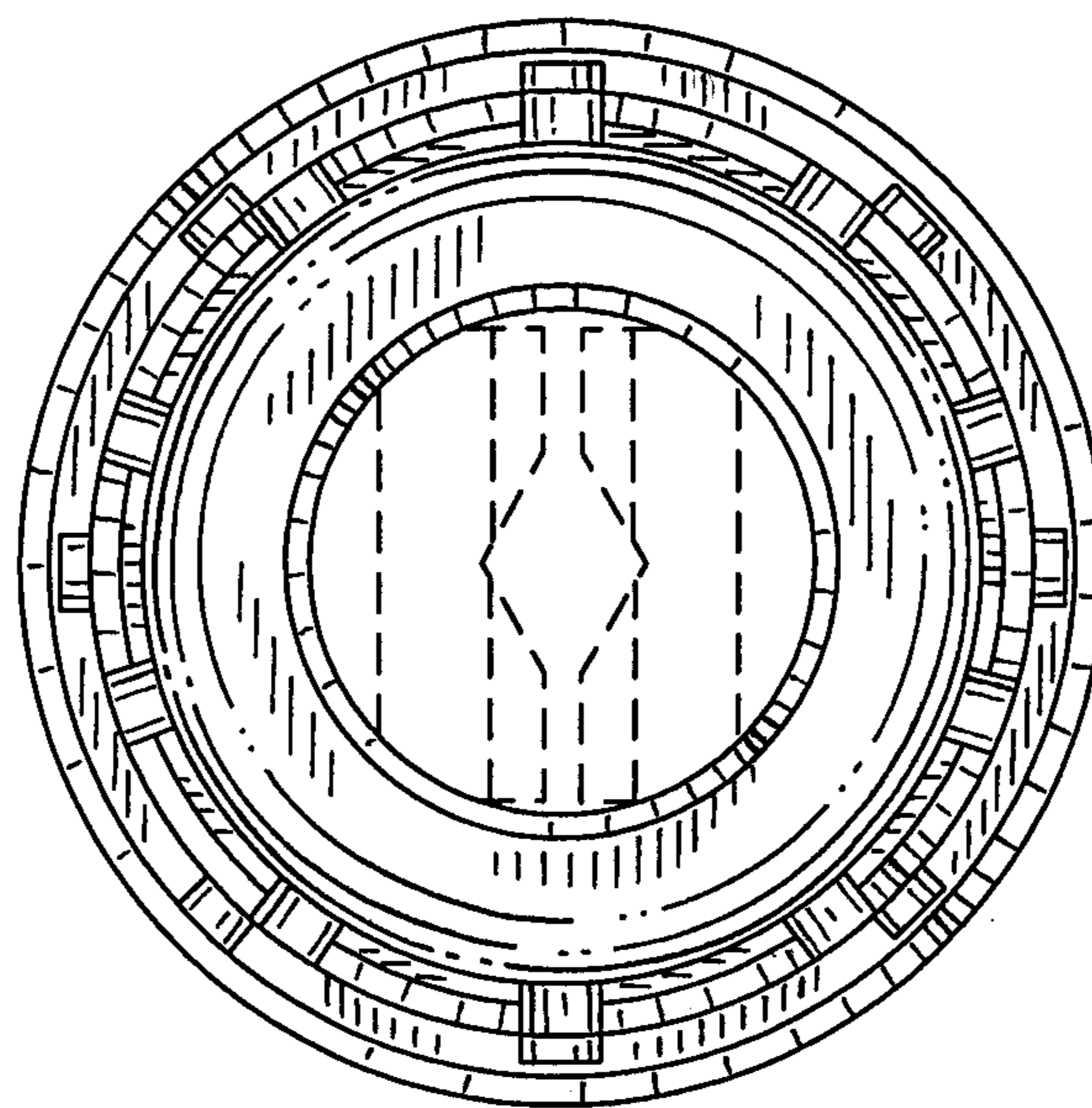


FIG. 4

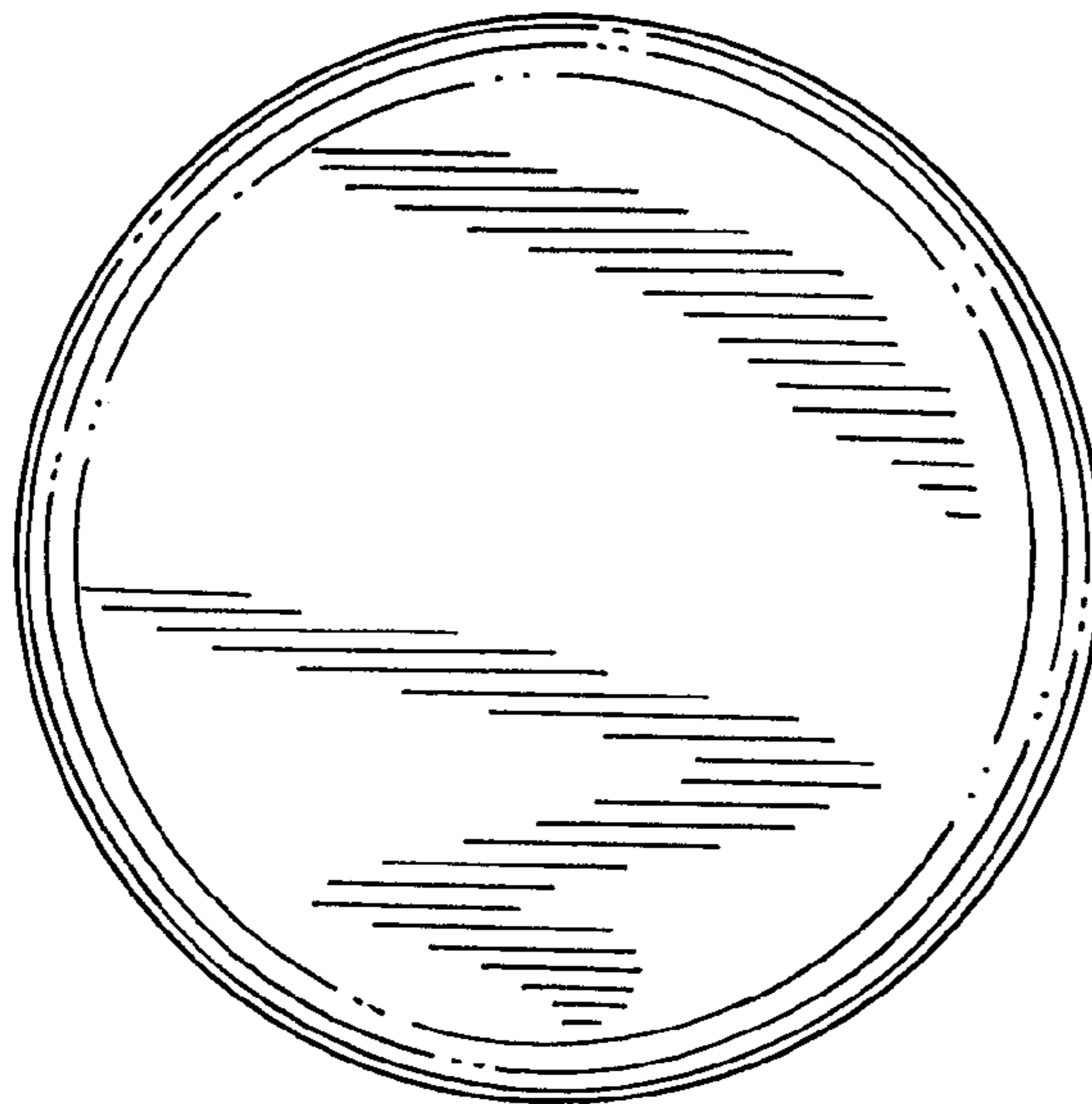
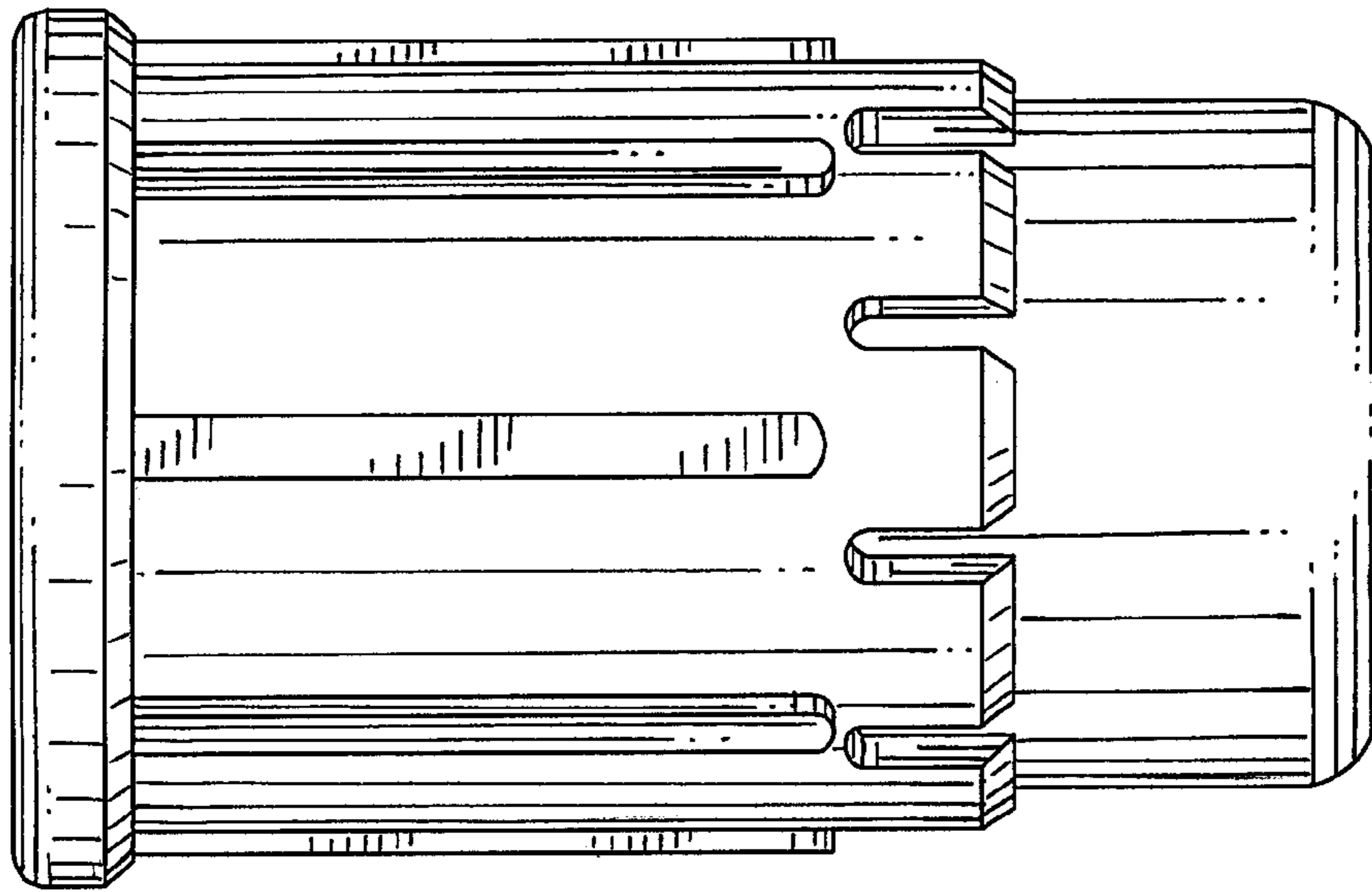


FIG. 5