



US00D720807S

(12) **United States Design Patent**
Jianvarakul et al.

(10) **Patent No.:** **US D720,807 S**
(45) **Date of Patent:** **** Jan. 6, 2015**

(54) **TAPE DISPENSER**
(75) Inventors: **Rujiwan Jianvarakul**, Bangkok (TH);
Pakorn Wongsorntham, Nonthaburi
(TH); **Chamapan Supachawarote**,
Bangkok (TH); **Suda**
Kanyaratmongkol, Samutprakarn (TH)

(73) Assignee: **3M Innovative Properties Company**,
St. Paul, MN (US)

(**) Term: **14 Years**

(21) Appl. No.: **29/413,115**

(22) Filed: **Feb. 10, 2012**

(51) **LOC (10) Cl.** **19-02**

(52) **U.S. Cl.**
USPC **D19/69**

(58) **Field of Classification Search**
CPC B65H 37/005; B65H 27/37; B65H 35/006;
B65H 35/0026; B65H 35/0073; B65H 35/0033
USPC D19/36, 70, 69, 68; D13/133, 146;
242/588.6, 588.3, 588.2; 225/77, 6, 56,
225/69, 26, 25, 19, 11; 206/411; 156/577,
156/527, 523

See application file for complete search history.

(56) **References Cited**

U.S. PATENT DOCUMENTS

1,223,372	A *	4/1917	Zerega	446/292
1,266,106	A *	5/1918	Coup	446/290
D188,592	S *	8/1960	Arrix	D28/63
D208,780	S *	10/1967	Smith	D19/61
D214,232	S *	5/1969	Dale	D2/719
D240,999	S *	8/1976	Hall	D8/38
D245,804	S *	9/1977	Cone	D21/599
D251,318	S *	3/1979	Saitoh	D21/585

D292,603	S *	11/1987	Shinn-Hsiung	D21/591
D326,475	S *	5/1992	Alexander	D19/69
D338,041	S *	8/1993	Cheng	D19/75
D361,788	S *	8/1995	Melzian et al.	D19/82
D393,327	S *	4/1998	Lee Shu	D27/115
D428,079	S *	7/2000	Yamazaki	D21/599
D445,661	S *	7/2001	Chen	D8/99
D523,084	S *	6/2006	Wojtkun et al.	D19/69
D530,998	S *	10/2006	Mountford	D8/50
7,195,048	B2 *	3/2007	Wojtkun et al.	156/527
D561,547	S *	2/2008	Lee	D8/36
D632,538	S *	2/2011	Gregor	D8/98
D644,793	S *	9/2011	Lee	D30/160
D659,484	S *	5/2012	Schwartz et al.	D7/628
8,720,763	B2 *	5/2014	Kuehn et al.	225/39

FOREIGN PATENT DOCUMENTS

JP	1278376	8/2006
TW	184112	5/1992

* cited by examiner

Primary Examiner — Austin Murphy

(74) *Attorney, Agent, or Firm* — Kevin W. Weber; Irina Hass

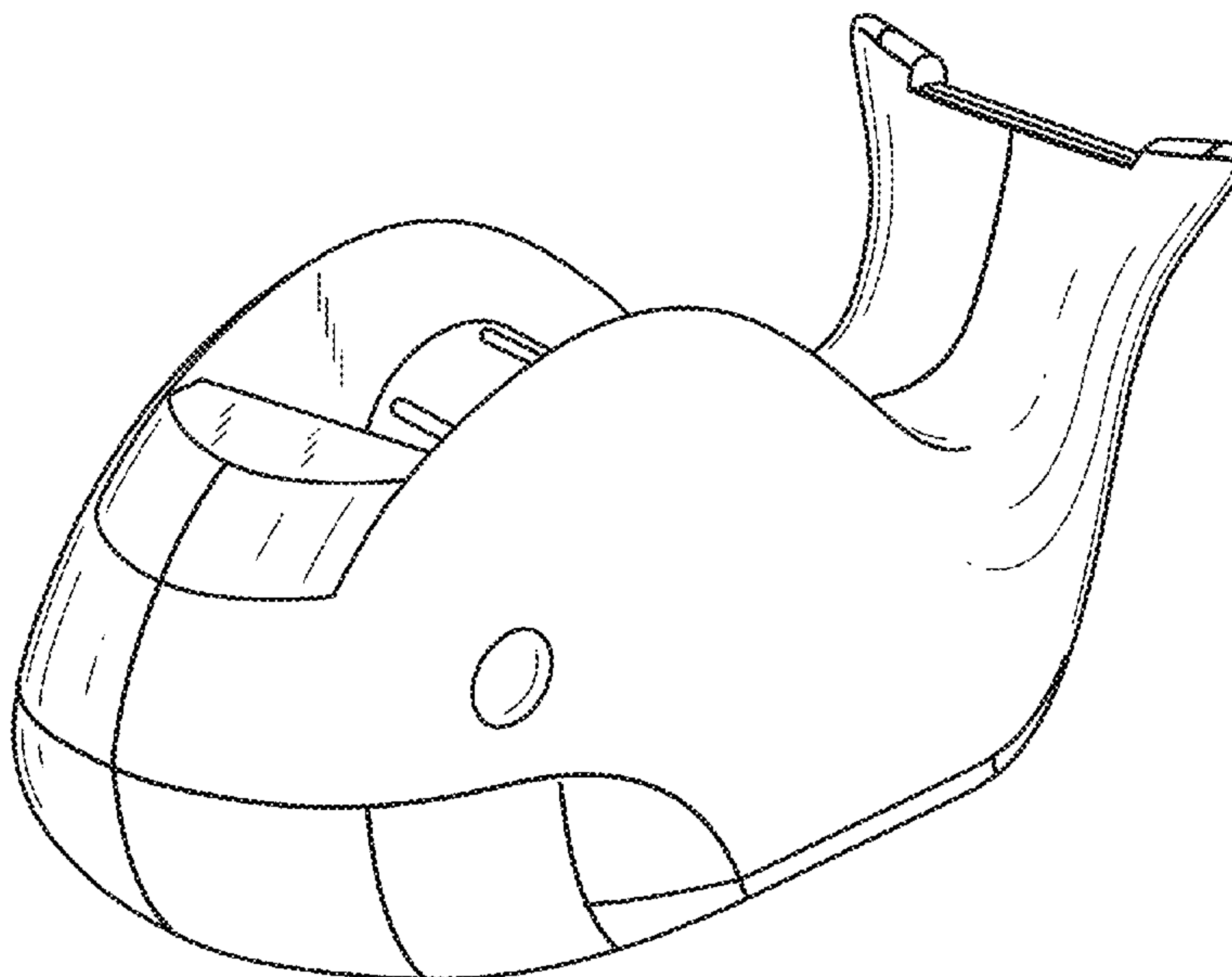
(57) **CLAIM**

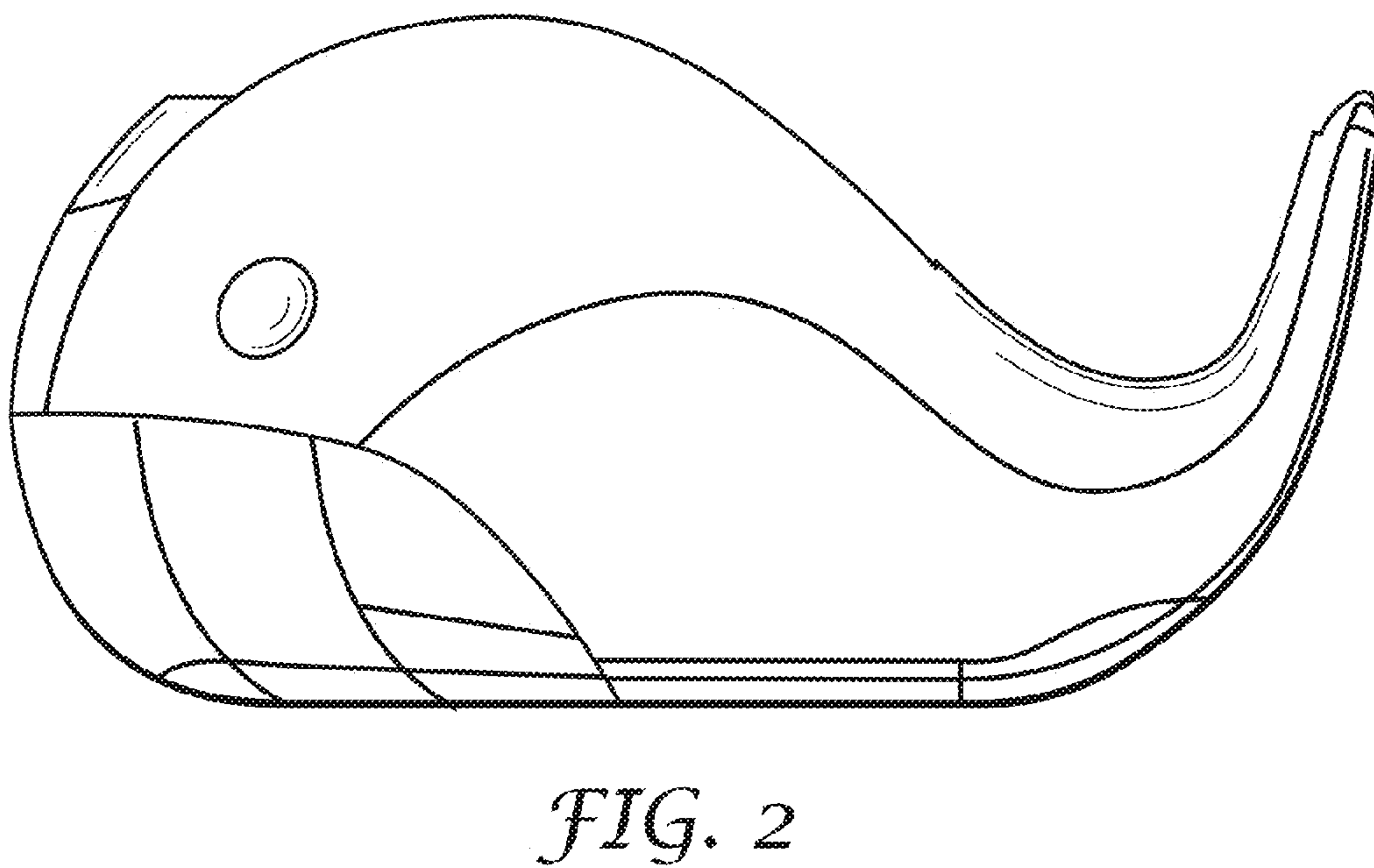
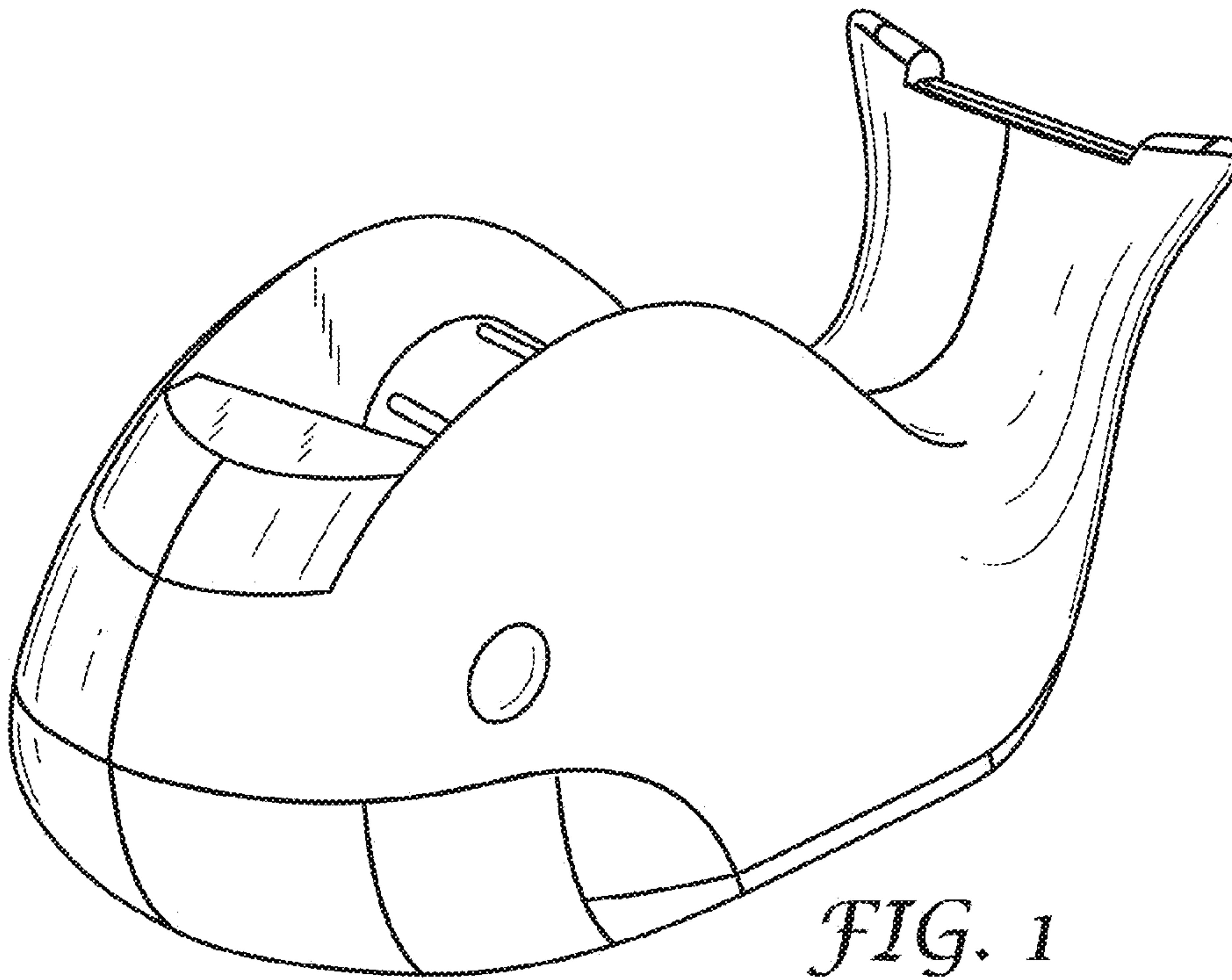
The ornamental design for a tape dispenser, as shown and described.

DESCRIPTION

FIG. 1 is a perspective view of a tape dispenser showing the new design;
FIG. 2 is a side view, the opposite side being a mirror image thereof;
FIG. 3 is a top view thereof;
FIG. 4 is a bottom view thereof;
FIG. 5 is a rear view thereof; and,
FIG. 6 is a front view thereof.

1 Claim, 3 Drawing Sheets





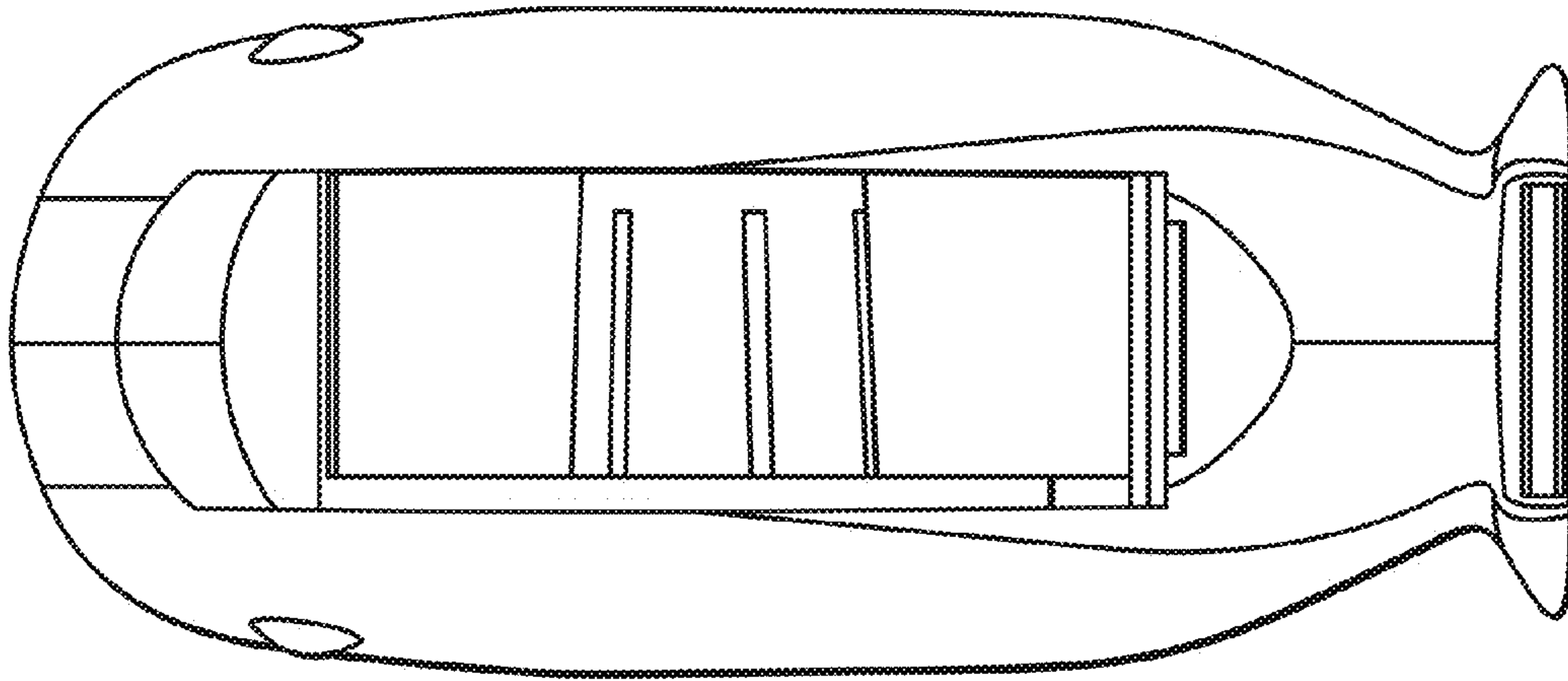


FIG. 3

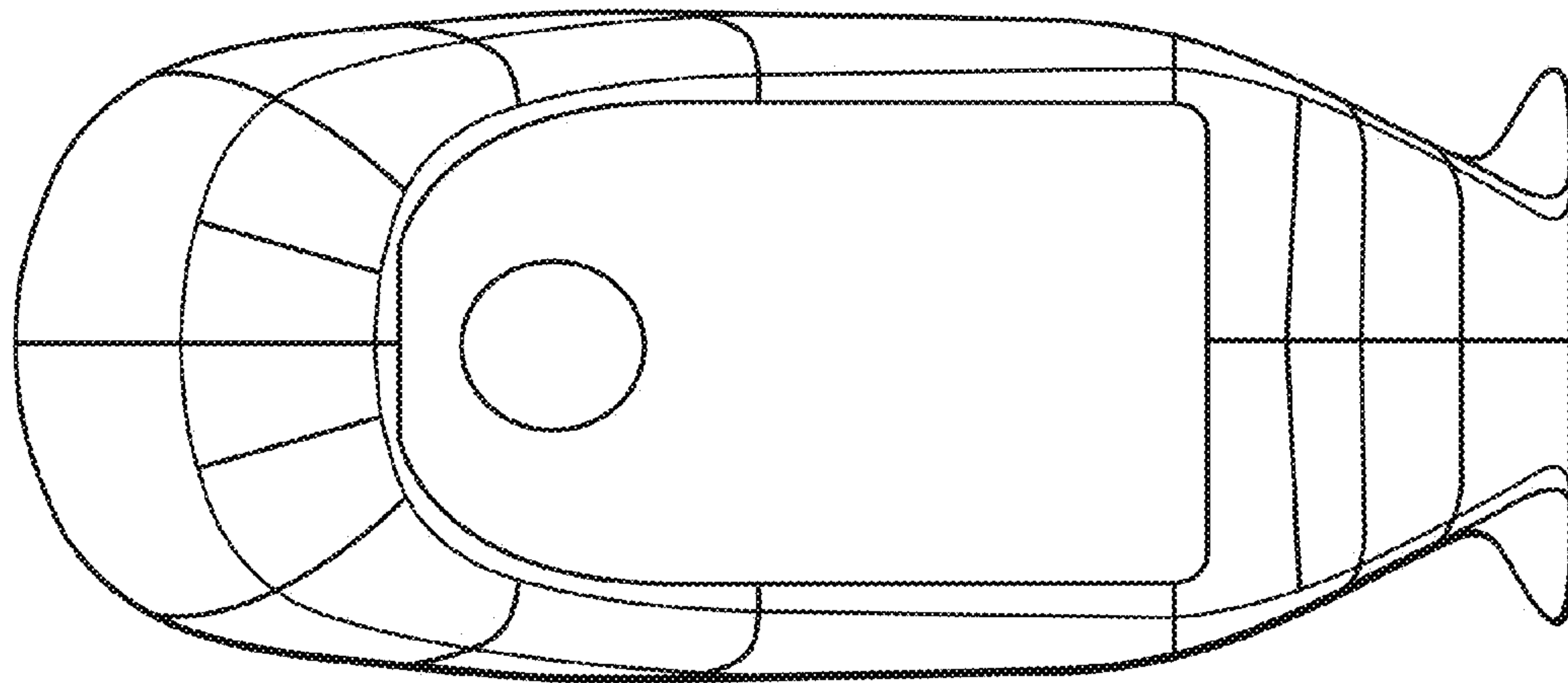


FIG. 4

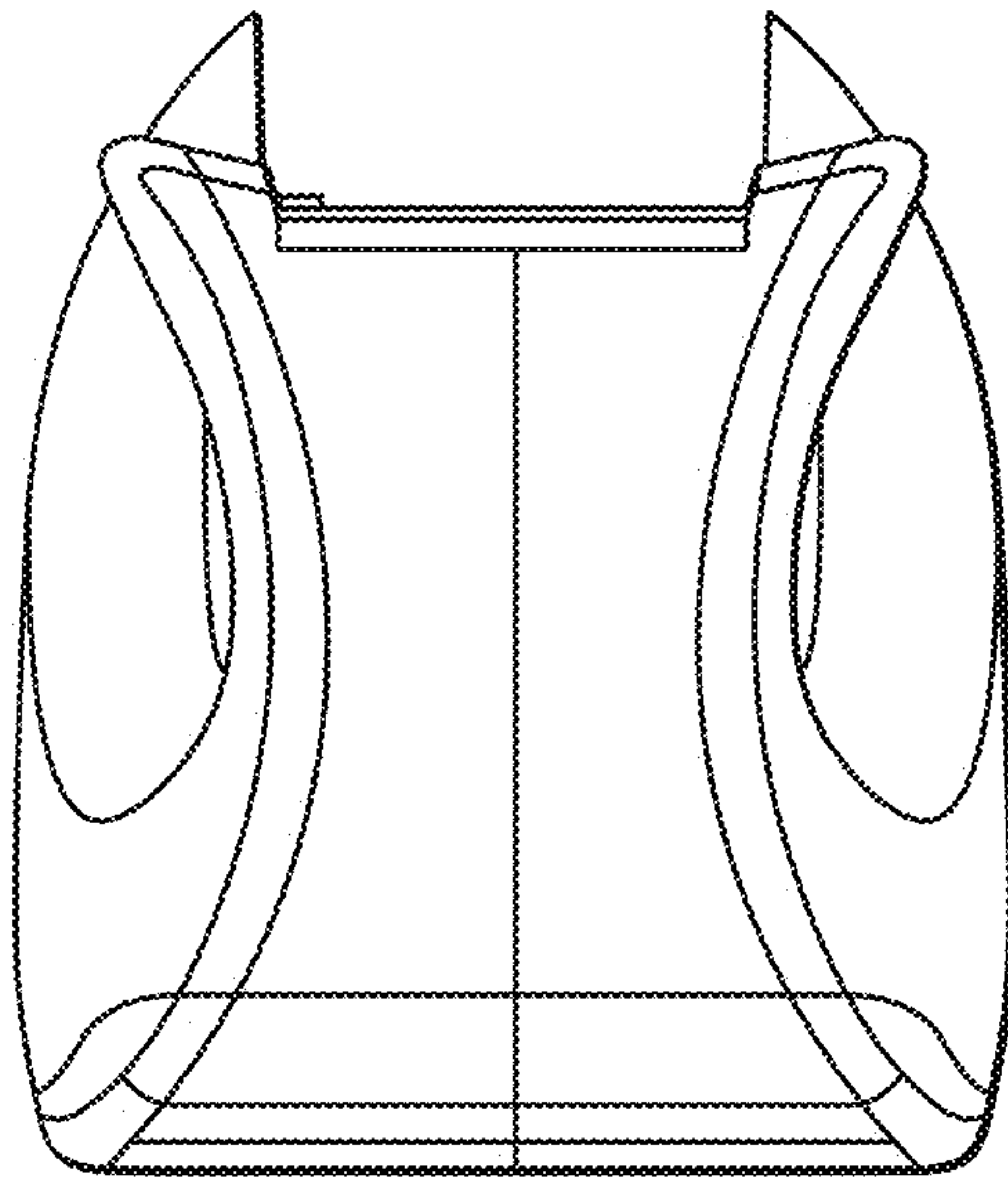


FIG. 5

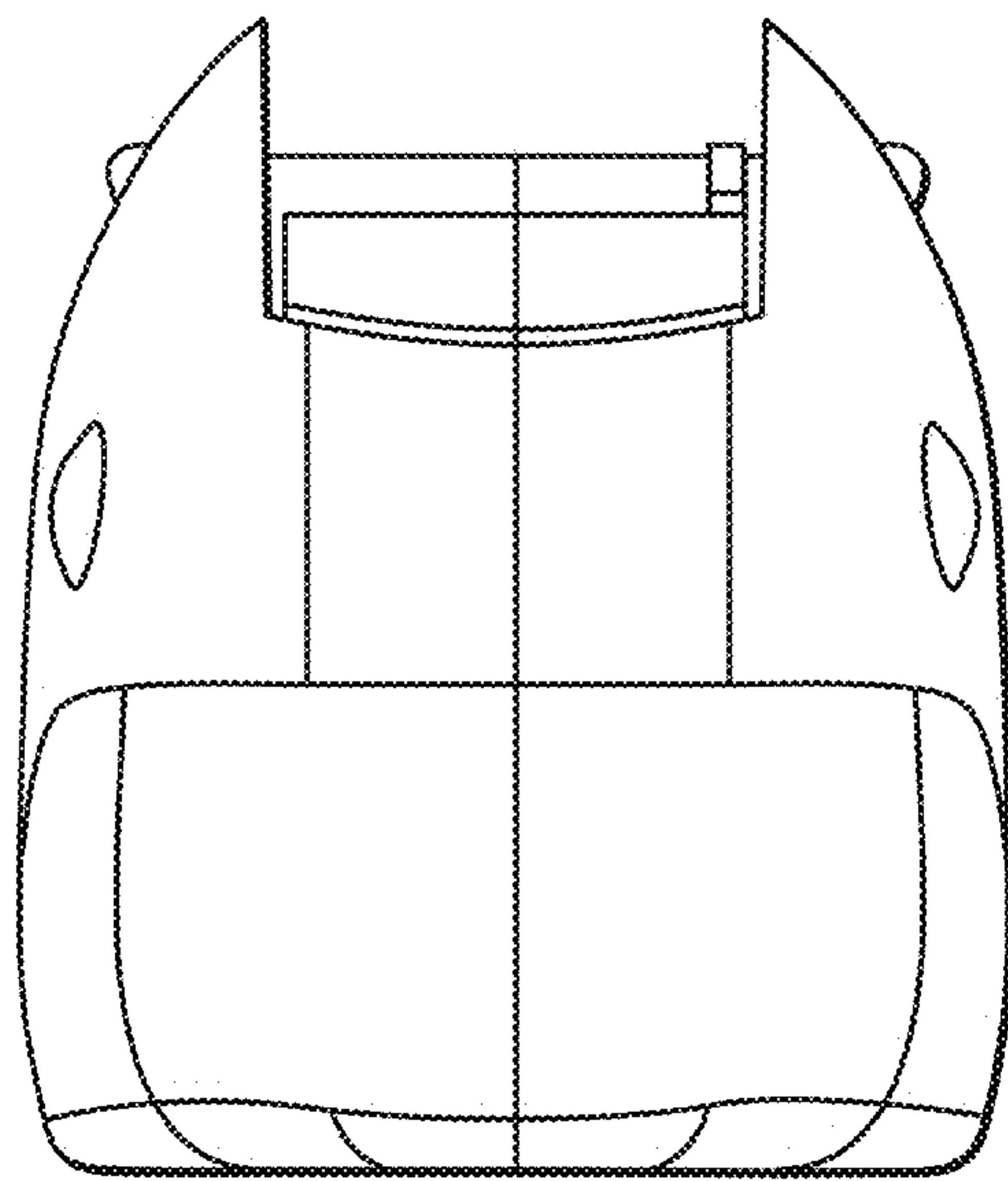


FIG. 6