



US00D720806S

(12) **United States Design Patent**
Knirr

(10) **Patent No.:** **US D720,806 S**

(45) **Date of Patent:** **** Jan. 6, 2015**

(54) **CORK REMOVER**

(71) Applicant: **Aaron Knirr**, Wildwood, MO (US)

(72) Inventor: **Aaron Knirr**, Wildwood, MO (US)

(**) Term: **14 Years**

(21) Appl. No.: **29/483,325**

(22) Filed: **Feb. 27, 2014**

(51) **LOC (10) Cl.** **07-99**

(52) **U.S. Cl.**

USPC **D19/38**

(58) **Field of Classification Search**

CPC F41A 17/36; F41A 21/16; F41A 21/48;
F21A 19/57

USPC D8/14, 16, 18, 19, 33-43, 88, 89, 105,
D8/107; 7/112, 113, 151-156; 81/3.07,
81/3.09, 3.2, 3.27, 3.29, 3.31, 3.35, 3.37,
81/3.4, 3.48, 3.49, 3.55; D22/104, 105

See application file for complete search history.

(56) **References Cited**

U.S. PATENT DOCUMENTS

D25,607 S	6/1896	Redlinger	
D37,417 S	4/1905	Gilchrist	
855,439 A *	6/1907	Adrianson	42/59
D71,190 S *	10/1926	Kelly	D22/104
1,860,112 A *	5/1932	Moore	42/59
D148,810 S	2/1948	McDowell	
D170,537 S *	10/1953	Lanning	D8/43
D179,657 S *	2/1957	Pittman	D22/104
D181,856 S	1/1958	Johnson	
2,830,398 A *	4/1958	Donohue	42/68
D188,804 S	9/1960	Dietz	
D212,751 S *	11/1968	Ruger	D22/104
D251,913 S *	5/1979	Romano	D22/104

4,378,651 A *	4/1983	Pachmayr et al.	42/71.02
4,625,445 A *	12/1986	Ruger	42/71.02
D288,521 S	3/1987	Van Asten	
4,742,635 A *	5/1988	Ruger et al.	42/124
D296,349 S *	6/1988	Ruger et al.	D22/104
D297,344 S *	8/1988	Ruger et al.	D22/104
4,769,936 A *	9/1988	Miller	42/66
D299,674 S *	1/1989	Domian	D22/104
4,888,901 A *	12/1989	French et al.	42/51
4,970,819 A *	11/1990	Mayhak	42/70.01
D338,054 S *	8/1993	Cummings	D22/104
5,235,763 A *	8/1993	Nosler et al.	42/70.11
D428,467 S *	7/2000	Petrosyan	D22/104
6,418,653 B1 *	7/2002	Bowles	42/66
D604,575 S	11/2009	Yu	
D606,824 S	12/2009	Yu	
D689,353 S	9/2013	Dockser	
2002/0069568 A1 *	6/2002	Bowles	42/66

* cited by examiner

Primary Examiner — Elizabeth Albert

(74) *Attorney, Agent, or Firm* — QuickPatents; Kevin Prince

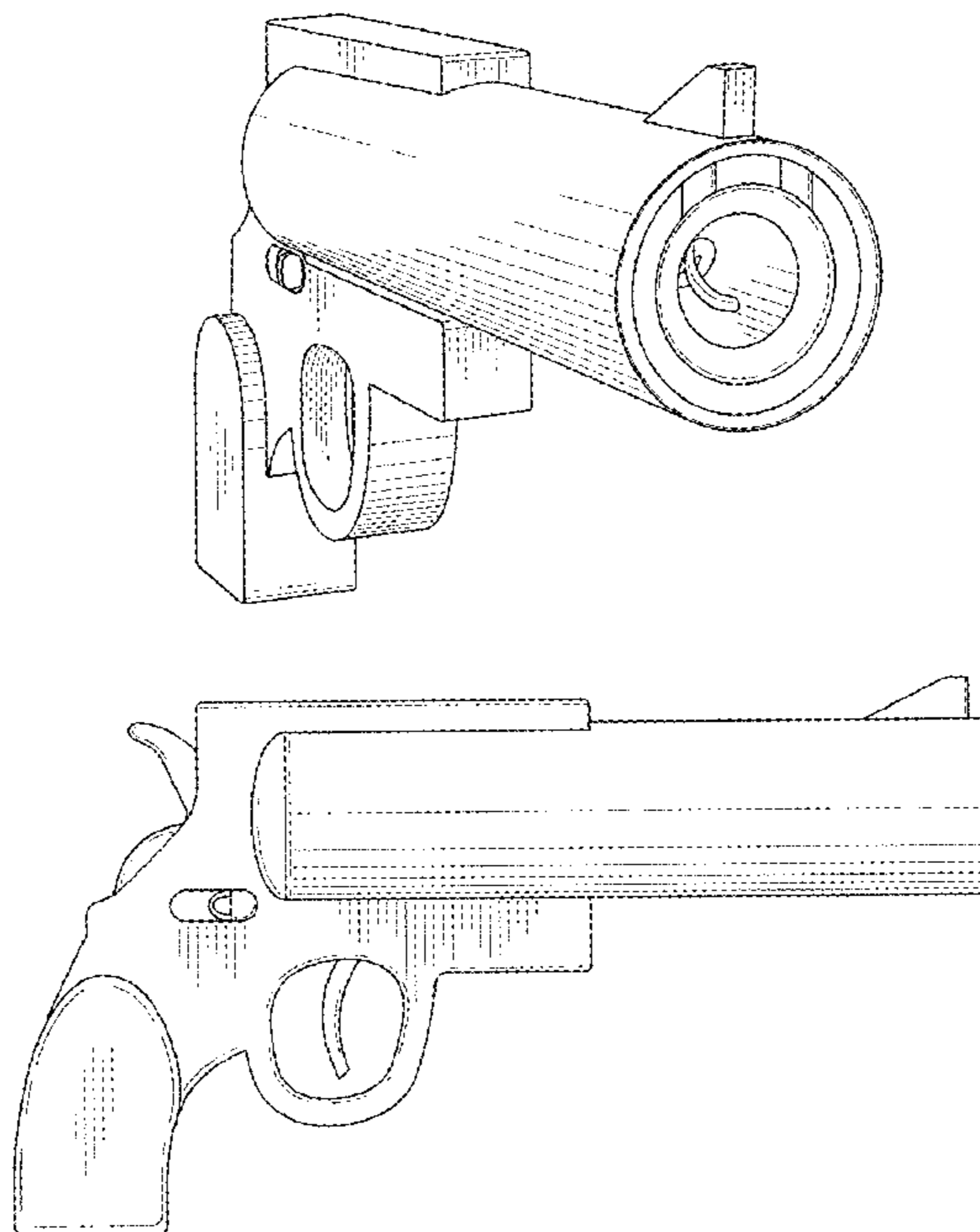
(57) **CLAIM**

I claim the ornamental design for a cork remover, as shown and described.

DESCRIPTION

FIG. 1 is a front perspective view of a cork remover, showing my new design;
FIG. 2 is a front elevational view thereof;
FIG. 3 is a rear elevational view thereof;
FIG. 4 is a left-side elevational view thereof, the right-side elevational view being a mirror image thereof;
FIG. 5 is a top plan view thereof;
FIG. 6 is a bottom plan view thereof; and,
FIG. 7 is a rear perspective view thereof.

1 Claim, 3 Drawing Sheets



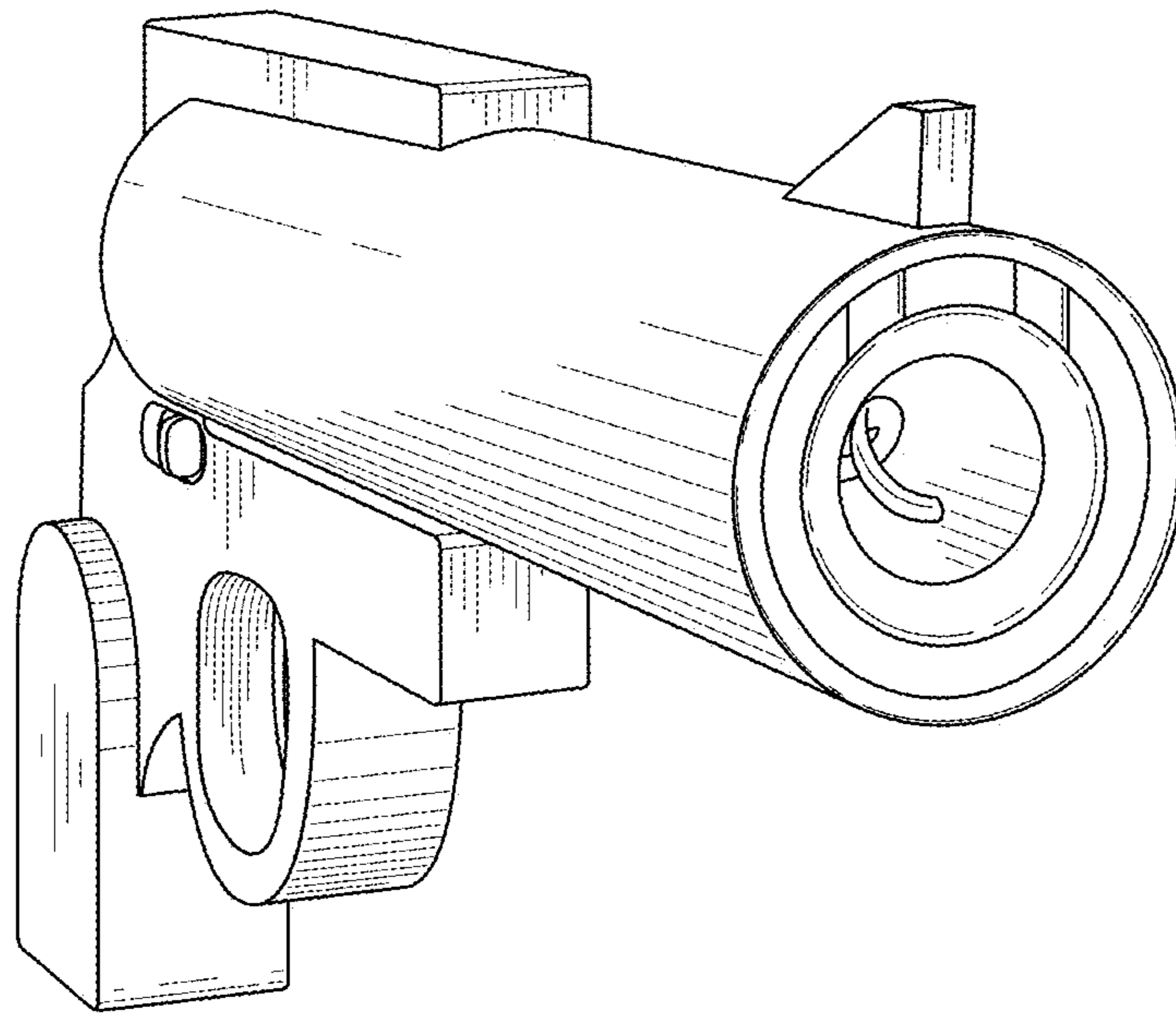


FIG. 1

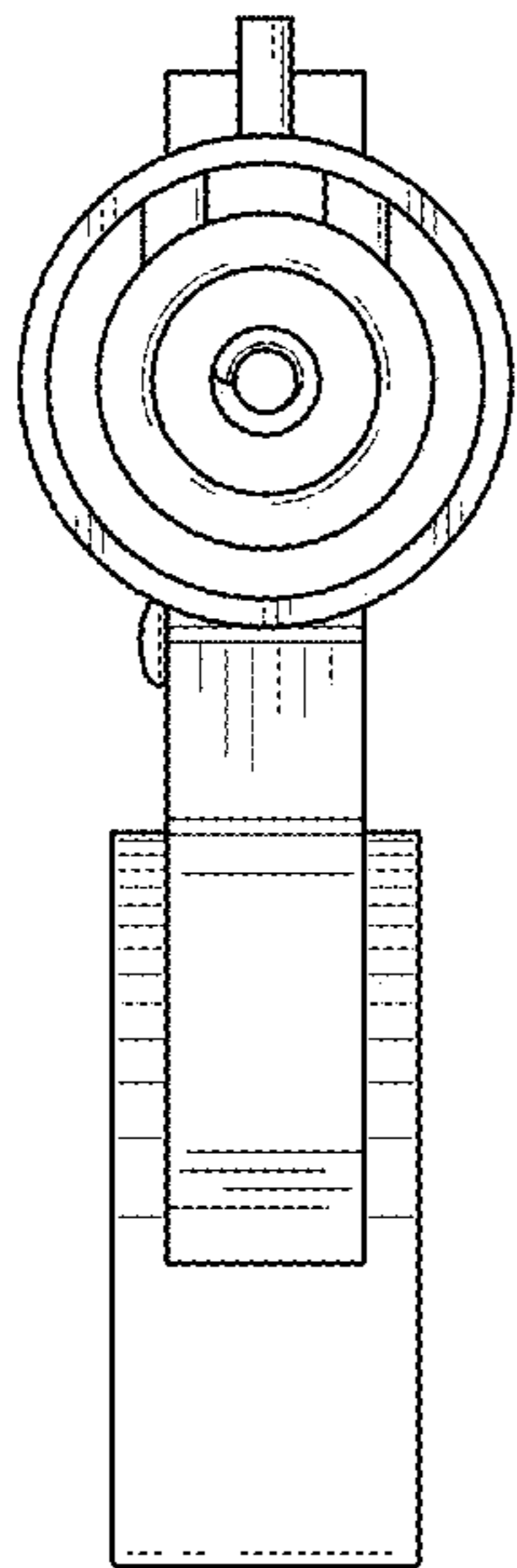


FIG. 2

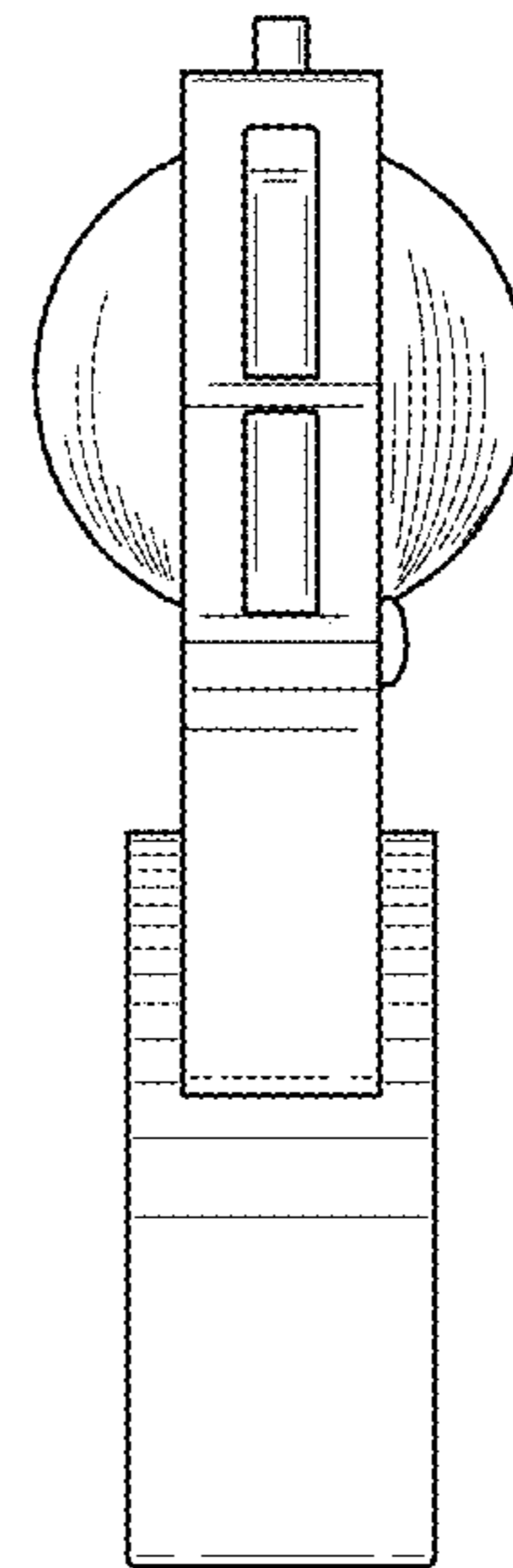


FIG. 3

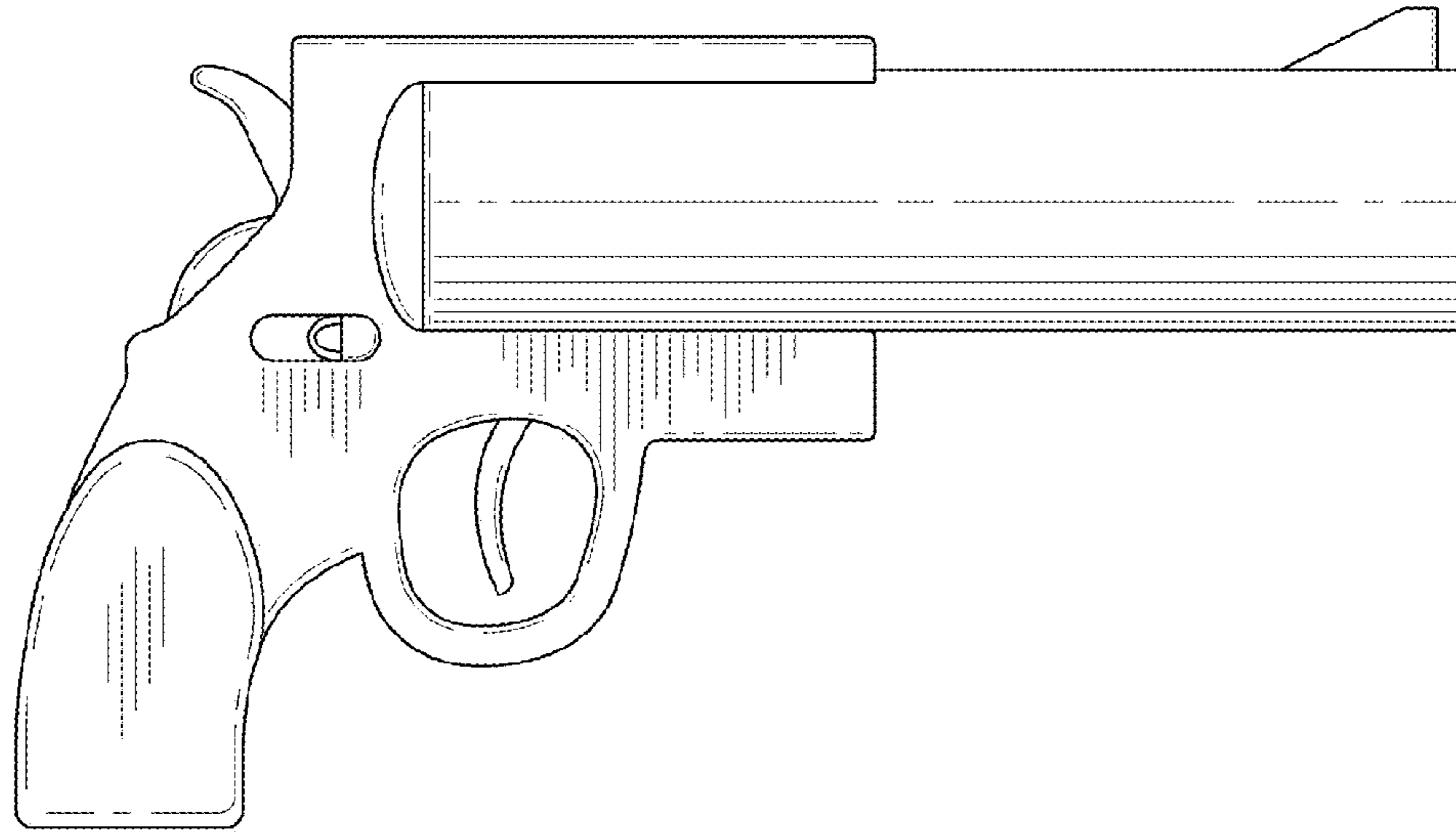


FIG.4

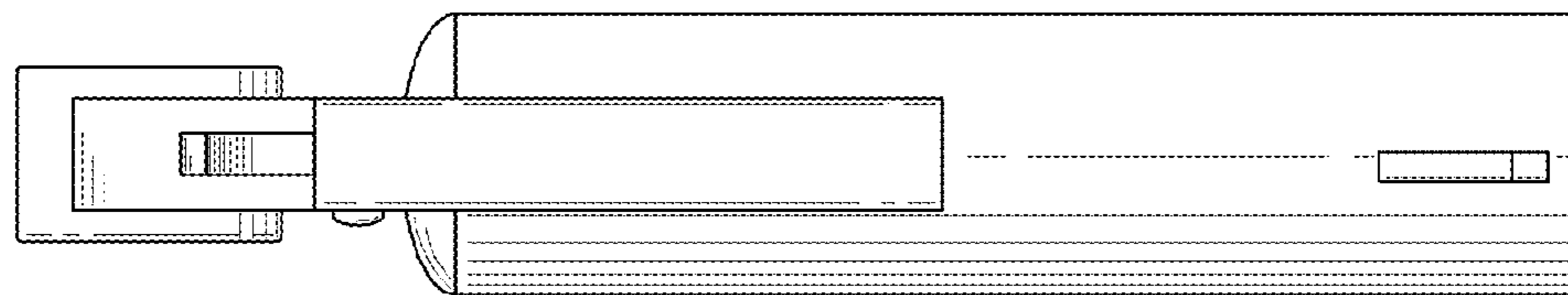


FIG.5

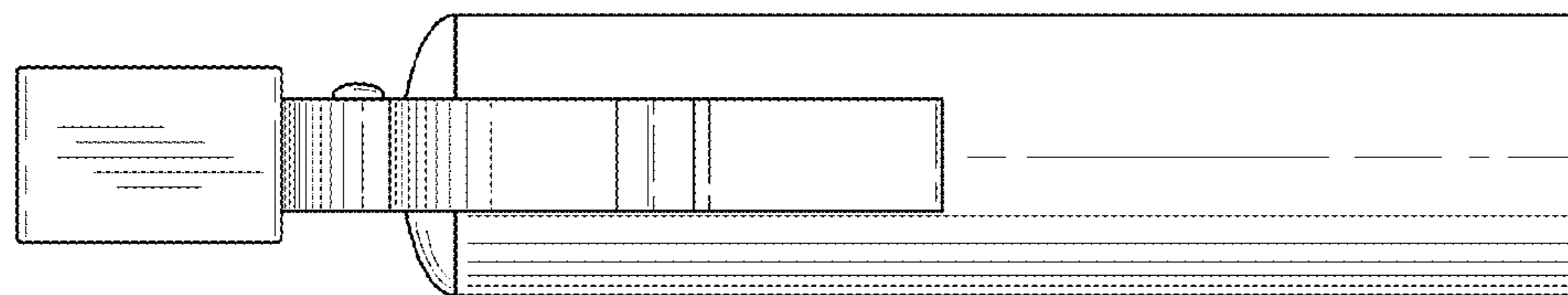


FIG.6

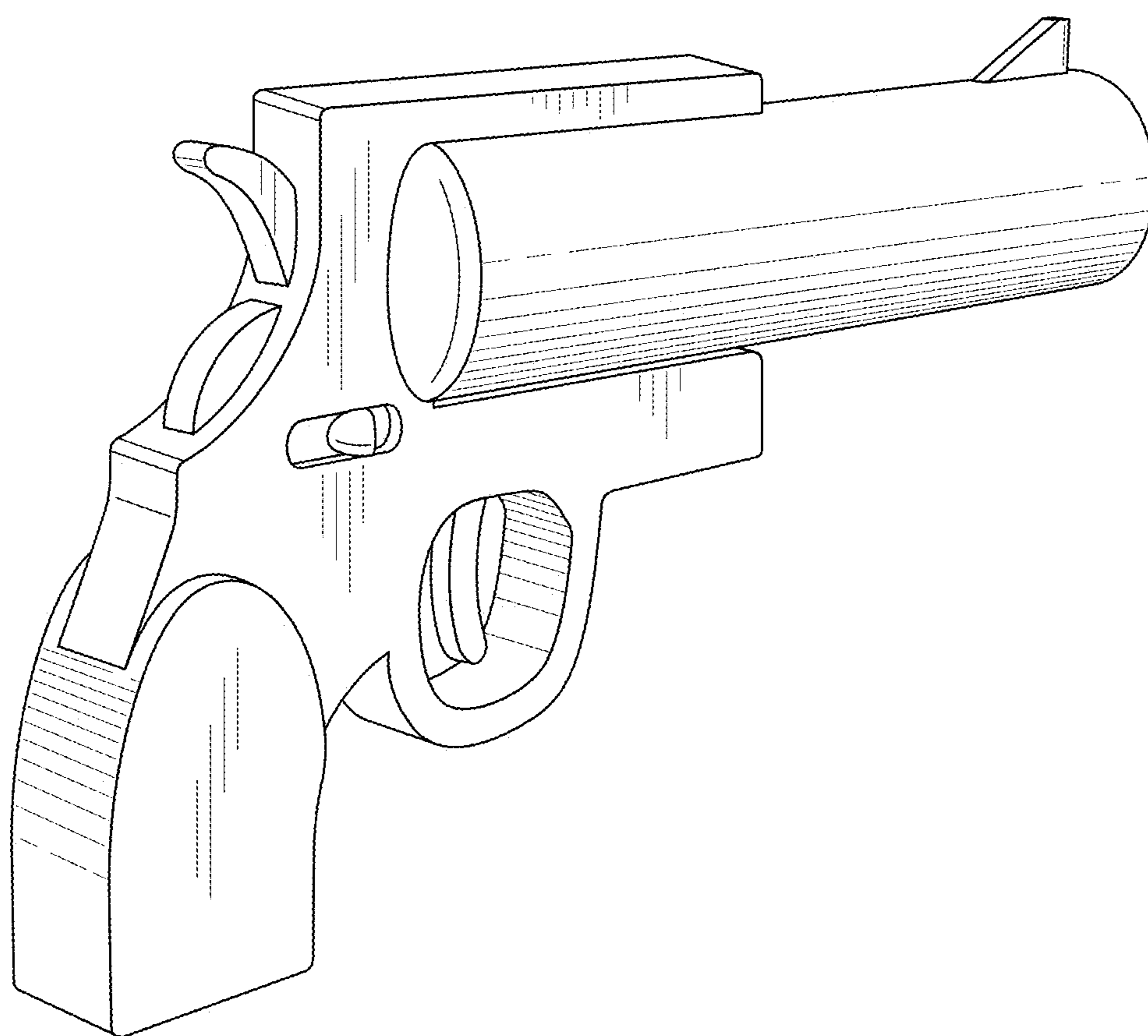


FIG. 7