



US00D720805S

(12) **United States Design Patent**
Khayat et al.

(10) **Patent No.:** **US D720,805 S**
(45) **Date of Patent:** **** Jan. 6, 2015**

- (54) **BOOKMARK**
- (71) Applicant: **ALKILU Enterprises LLC**, Los Angeles, CA (US)
- (72) Inventors: **Alex Khayat**, Studio City, CA (US); **Francisco Barboza Grasa**, Zaragoza (ES)
- (73) Assignee: **ALKILU Enterprises LLC**, Los Angeles, CA (US)
- (**) Term: **14 Years**
- (21) Appl. No.: **29/490,004**
- (22) Filed: **May 6, 2014**
- (51) **LOC (10) Cl.** **19-99**
- (52) **U.S. Cl.**
USPC **D19/34**
- (58) **Field of Classification Search**
USPC D19/32, 34, 65, 26, 99, 100; D20/22, D20/23, 27, 40, 99; 281/15.1, 42, 51; 116/234, 235, 240; 362/611, 612, 387, 362/99, 98, 457, 458
See application file for complete search history.

- D492,345 S * 6/2004 Ortega D19/34
- D563,011 S * 2/2008 Major D26/61
- D603,992 S * 11/2009 Sabernig D26/63
- D655,348 S * 3/2012 Cooper D20/43
- D660,913 S * 5/2012 Podd D20/42
- D712,968 S * 9/2014 Gorelick et al. D20/10
- 2007/0296201 A1* 12/2007 Grossmeyer et al. 281/42

OTHER PUBLICATIONS

AKILU, Image post date Jun. 4, 2014, site visted Nov. 12, 2014 (online), <http://www.alkilu.com/big-news-for-alkilu/>.
Hauck, D., "Ray Travel Light," *Designboom® Architecture & Design Magazine*, 4 pages (May 11, 2013).

* cited by examiner

Primary Examiner — Sheryl Lane
Assistant Examiner — Ieisha Price

(74) *Attorney, Agent, or Firm* — Hamilton, Brook, Smith & Reynolds, P.C.

(57) **CLAIM**

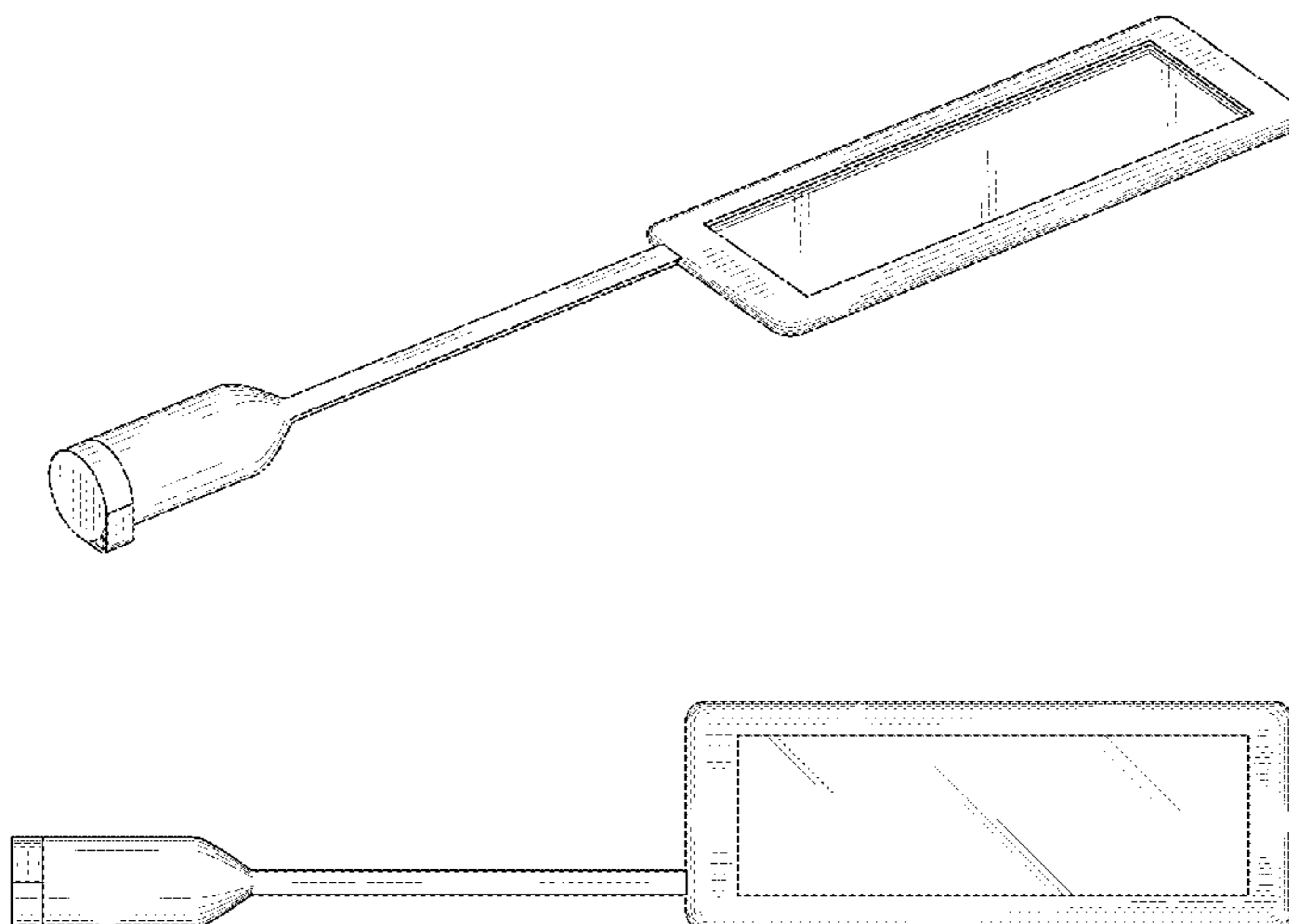
The ornamental design for a bookmark, as shown and described.

DESCRIPTION

FIG. 1 is a perspective view of a bookmark showing the Applicant's new design.
FIG. 2 is a front view of the bookmark design of FIG. 1.
FIG. 3 is a right side view of the bookmark design of FIG. 1.
FIG. 4 is a back view of the bookmark design of FIG. 1.
FIG. 5 is a left side view of the bookmark design of FIG. 1.
FIG. 6 is a bottom view of the bookmark design of FIG. 1; and,
FIG. 7 is a top view of the bookmark of FIG. 1.

1 Claim, 2 Drawing Sheets

- (56) **References Cited**
U.S. PATENT DOCUMENTS
- 3,352,040 A * 11/1967 Javkin 40/662
- 3,384,984 A * 5/1968 Field 40/662
- D287,864 S * 1/1987 Perfect D20/27
- D300,835 S * 4/1989 Stevens D20/27
- D331,604 S * 12/1992 Niehaus D20/12
- D348,486 S * 7/1994 Fischtein et al. D20/40
- D429,499 S * 8/2000 Mershon D19/36
- D443,655 S * 6/2001 Chaikel et al. D20/27
- D488,832 S * 4/2004 Ortega D19/34



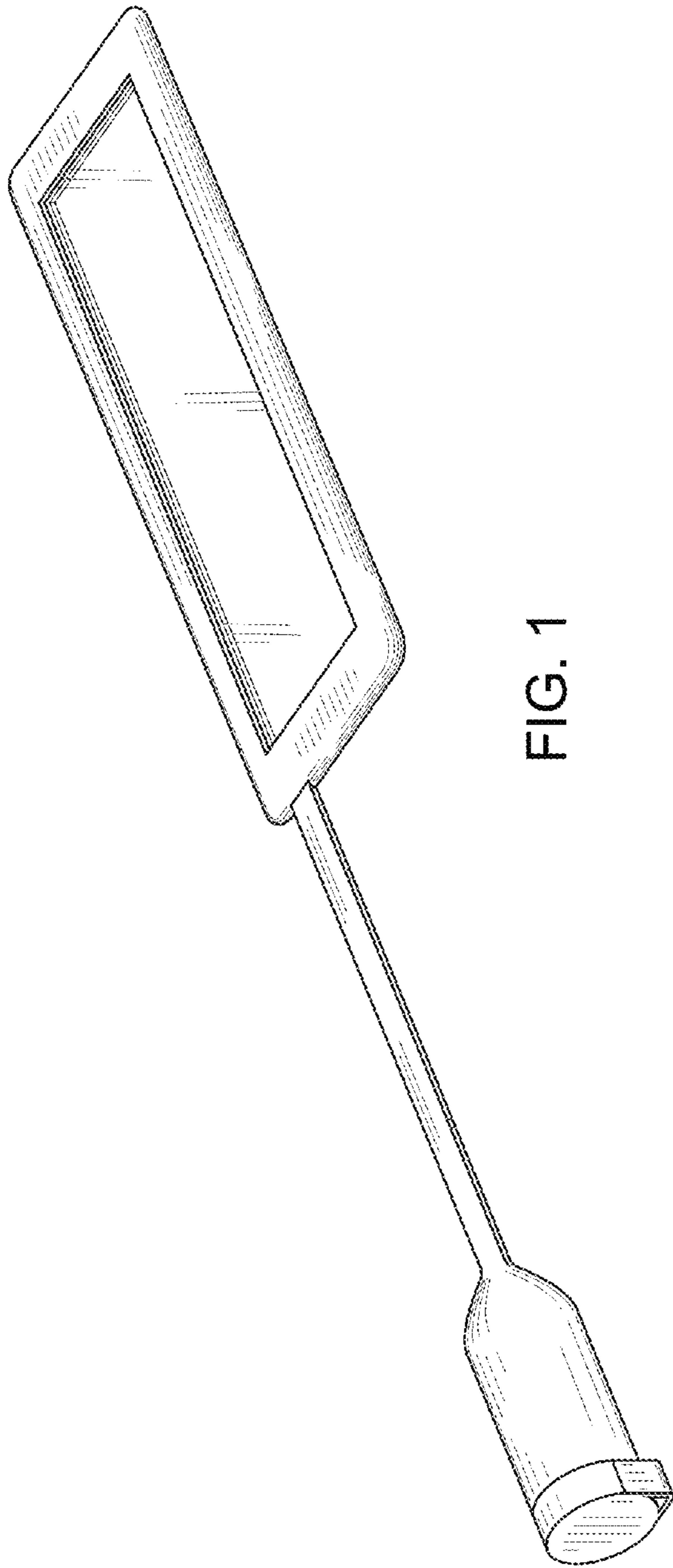


FIG. 1

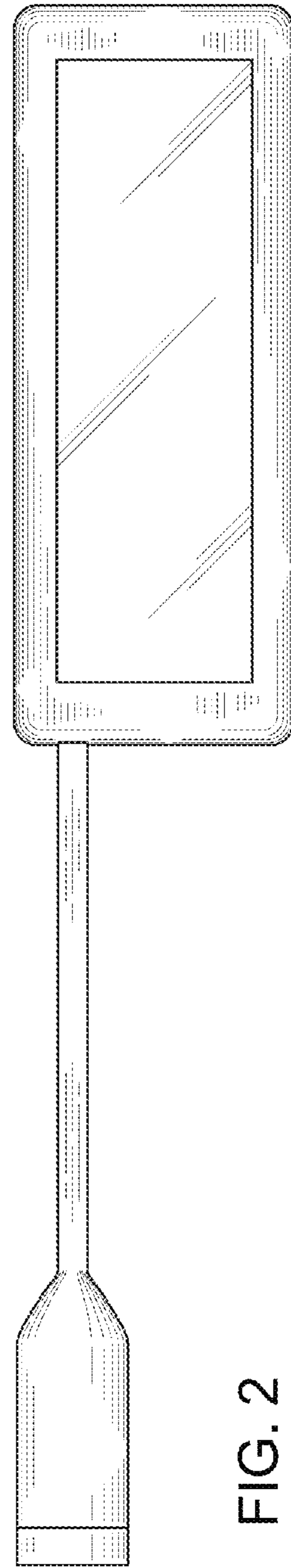


FIG. 2

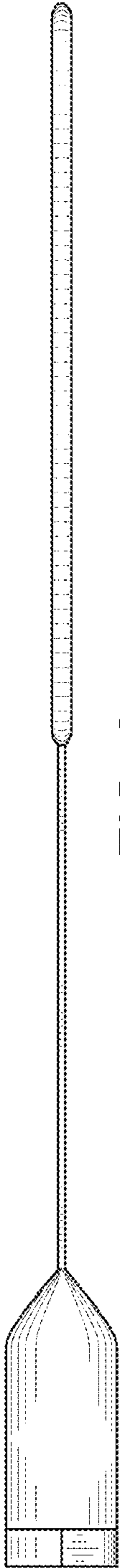


FIG. 3

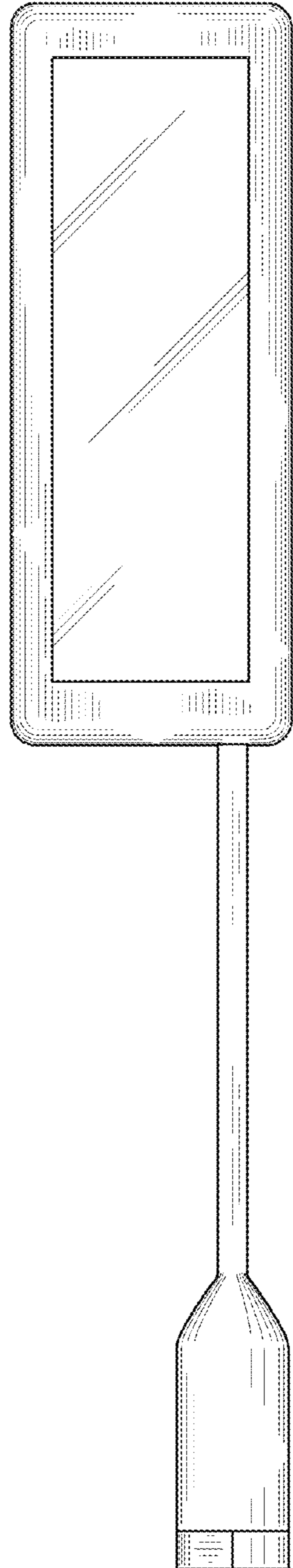


FIG. 4

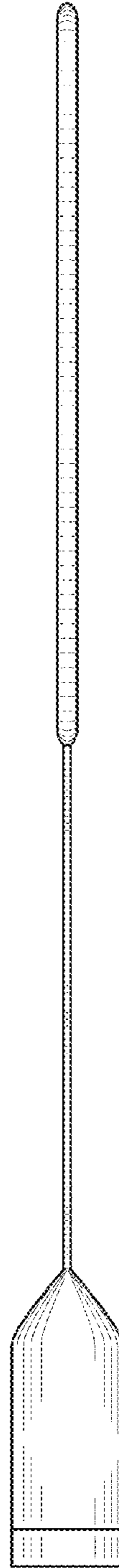


FIG. 5

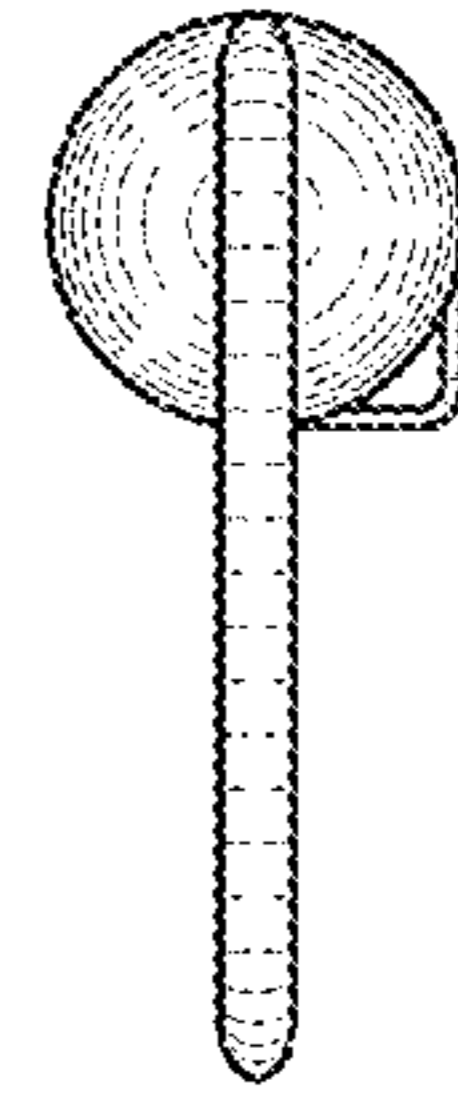


FIG. 7

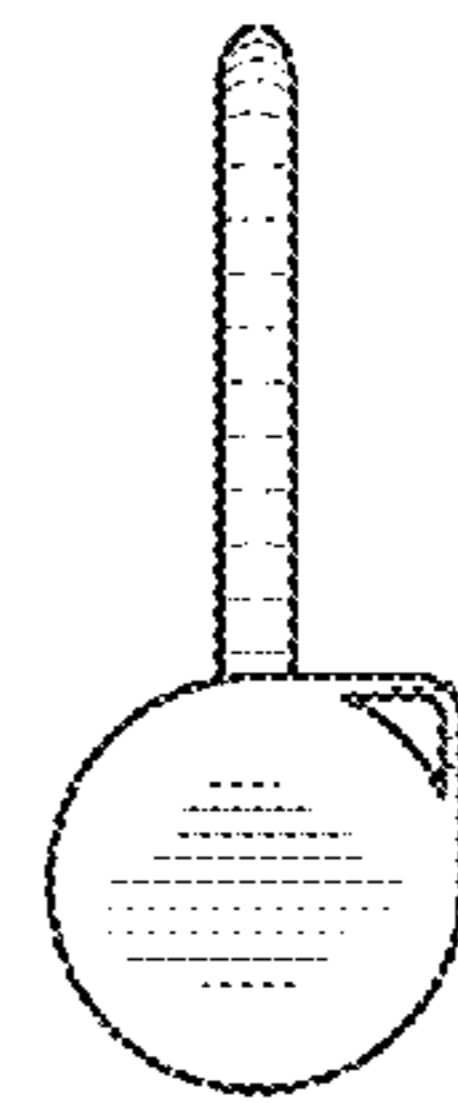


FIG. 6