



US00D720803S

(12) **United States Design Patent**
Inada

(10) **Patent No.:** **US D720,803 S**
(45) **Date of Patent:** **** Jan. 6, 2015**

(54) **PRINTER**

(71) Applicant: **Toshiya Inada**, Nagoya (JP)

(72) Inventor: **Toshiya Inada**, Nagoya (JP)

(73) Assignee: **Brother Industries, Ltd.**, Nagoya (JP)

(**) Term: **14 Years**

(21) Appl. No.: **29/459,394**

(22) Filed: **Jun. 28, 2013**

(30) **Foreign Application Priority Data**

Dec. 28, 2012 (JP) 2012-32069

(51) **LOC (10) Cl.** **14-02**

(52) **U.S. Cl.**
USPC **D18/50**

(58) **Field of Classification Search**

USPC D18/36-39, 50, 53, 54, 54.1, 55;
D14/420-425, 462-470; 400/613,
400/613.1-613.4, 690.1-690.4, 691-694
See application file for complete search history.

(56) **References Cited**

U.S. PATENT DOCUMENTS

D304,177 S * 10/1989 Hara D18/37
D328,093 S * 7/1992 Shimizu et al. D18/36
D607,050 S * 12/2009 Iritani D18/55
D614,234 S 4/2010 Ishikawa et al.

D643,039 S 8/2011 Wilday et al.
D645,078 S * 9/2011 Kim et al. D18/50
D645,897 S 9/2011 Chuang et al.
D648,377 S 11/2011 Miyauchi et al.
D661,346 S * 6/2012 Suzuki et al. D18/55
D662,130 S 6/2012 Kitazawa et al.
D664,192 S 7/2012 Emmenegger et al.
D667,489 S * 9/2012 Inoue et al. D18/55
D674,010 S * 1/2013 Nanno D18/55
D678,402 S * 3/2013 Sato D18/50
D681,720 S 5/2013 Inada
D681,721 S 5/2013 Iwai et al.
D682,349 S 5/2013 Iwai et al.
D706,269 S * 6/2014 Qian et al. D14/422

* cited by examiner

Primary Examiner — Cathy A MacCormac

(74) *Attorney, Agent, or Firm* — Oliff PLC

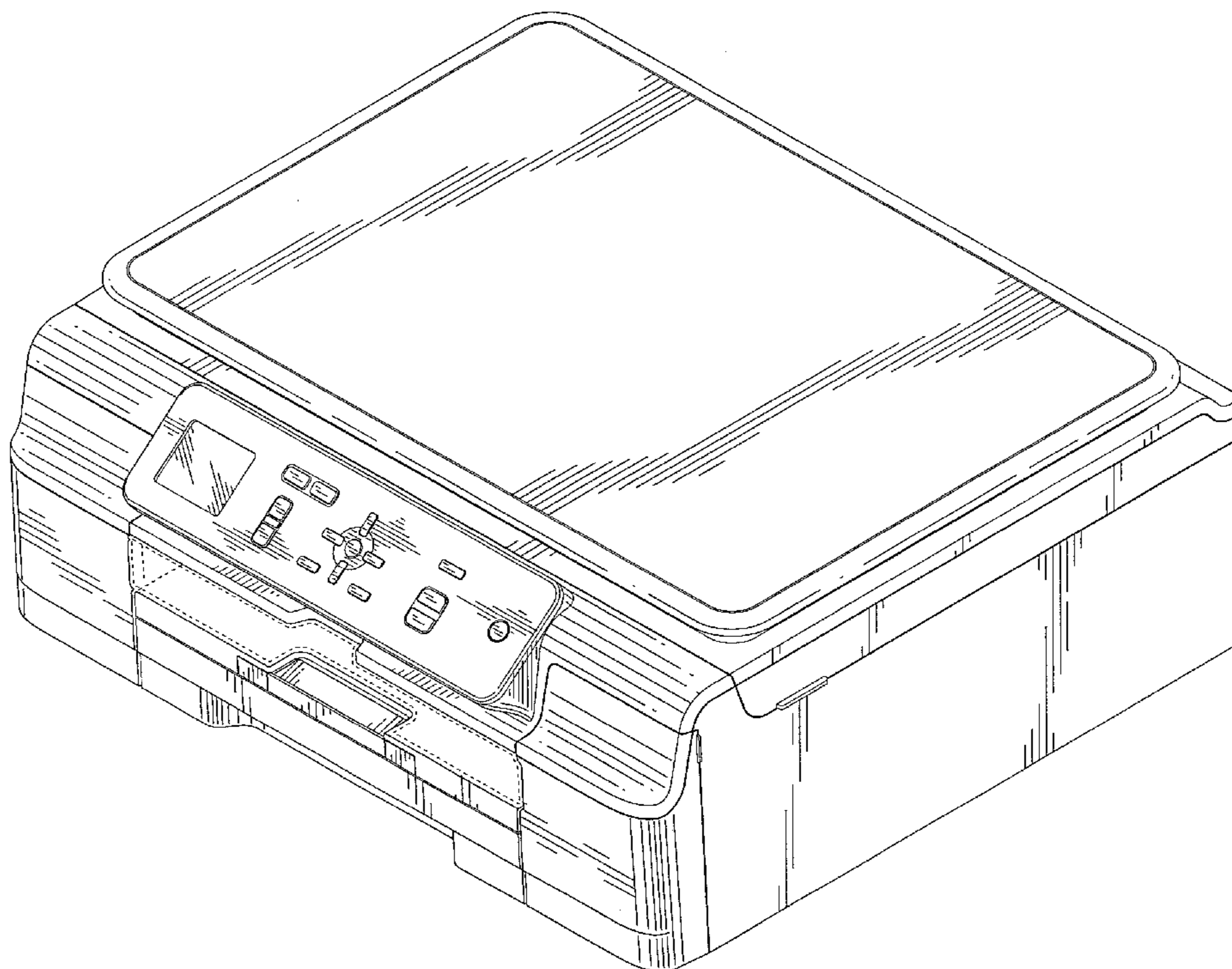
(57) **CLAIM**

The ornamental design for a printer, as shown and described.

DESCRIPTION

FIG. 1 is a perspective view of a printer;
FIG. 2 is a front view thereof;
FIG. 3 is a top view thereof;
FIG. 4 is a right-side view thereof;
FIG. 5 is a left-side view thereof;
FIG. 6 is a rear view thereof;
FIG. 7 is a bottom view thereof; and,
FIG. 8 is a bottom perspective view thereof.
The broken lines depict environmental subject matter only
and form no part of the claimed design.

1 Claim, 7 Drawing Sheets



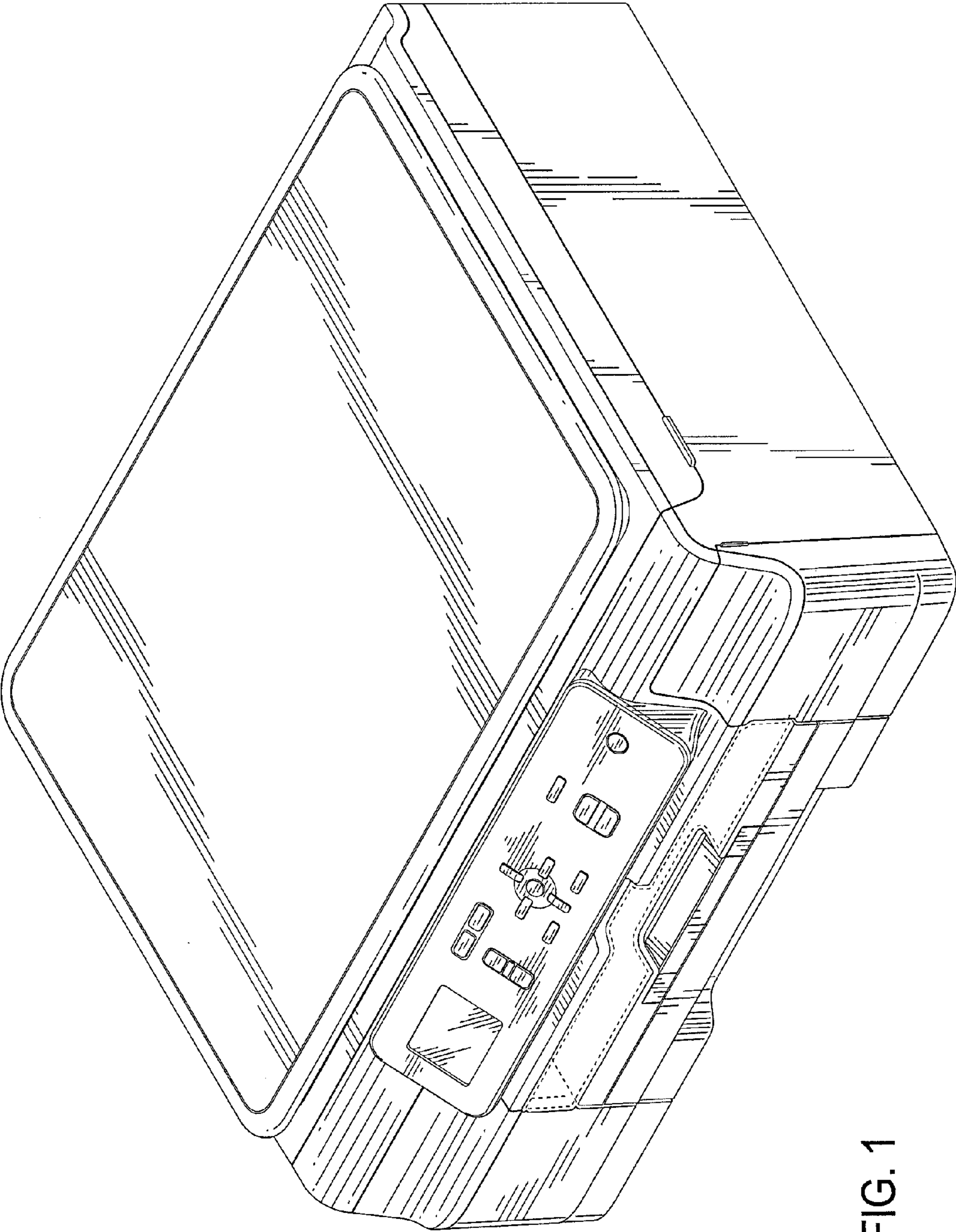


FIG. 1

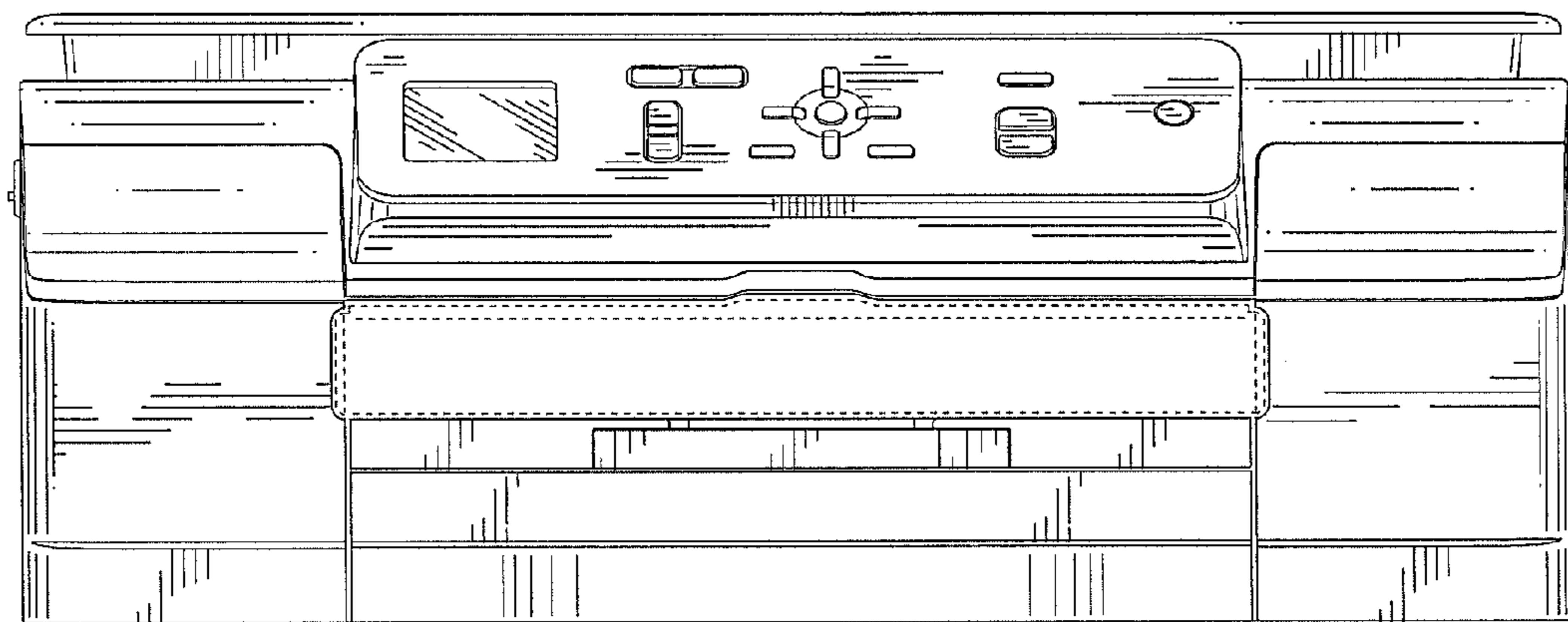


FIG. 2

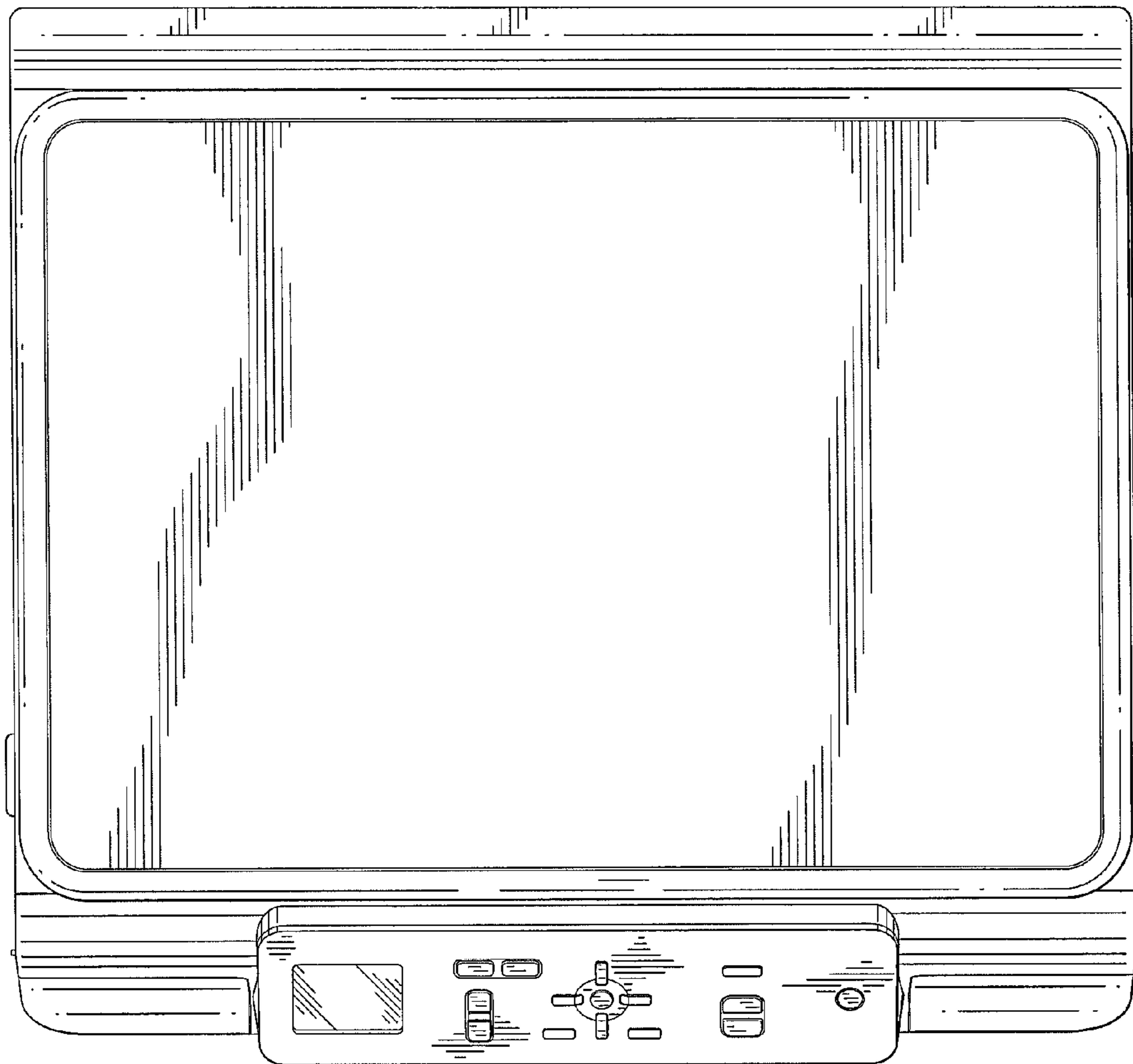


FIG. 3

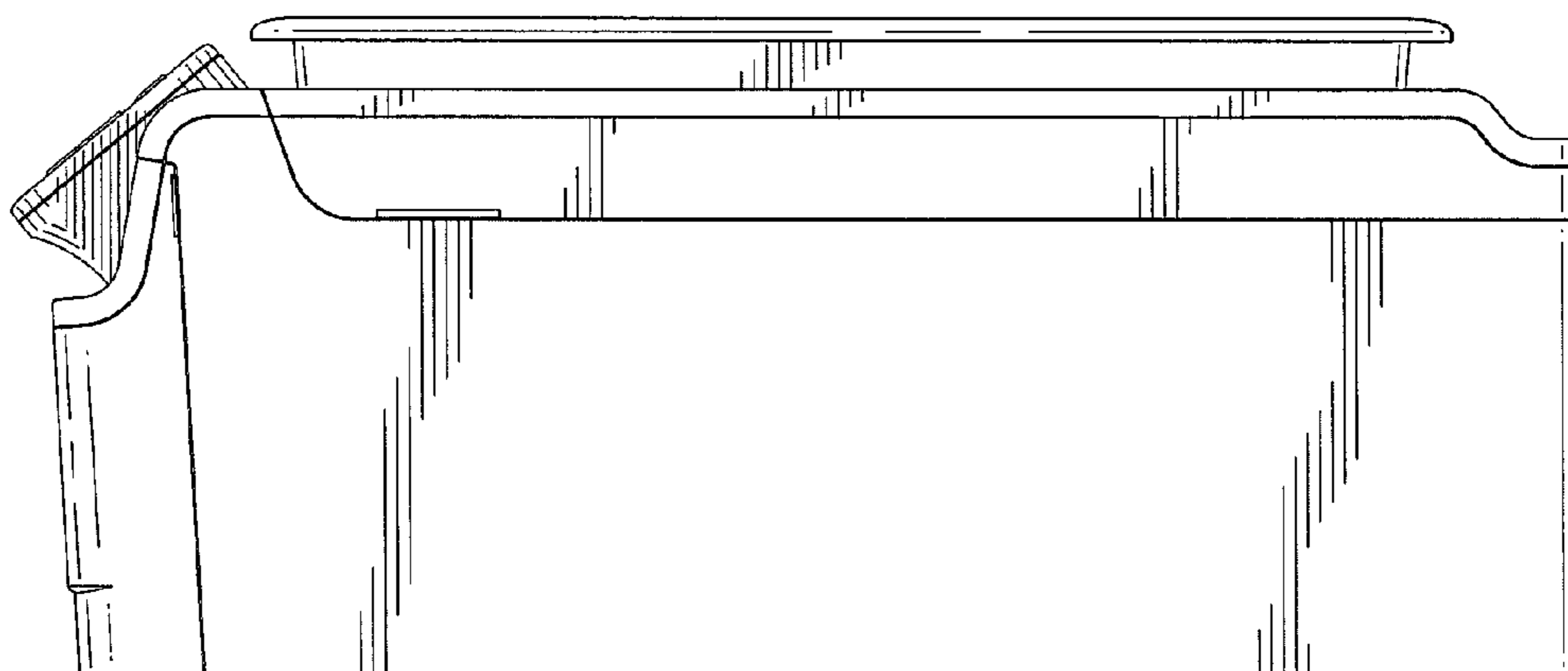


FIG. 4

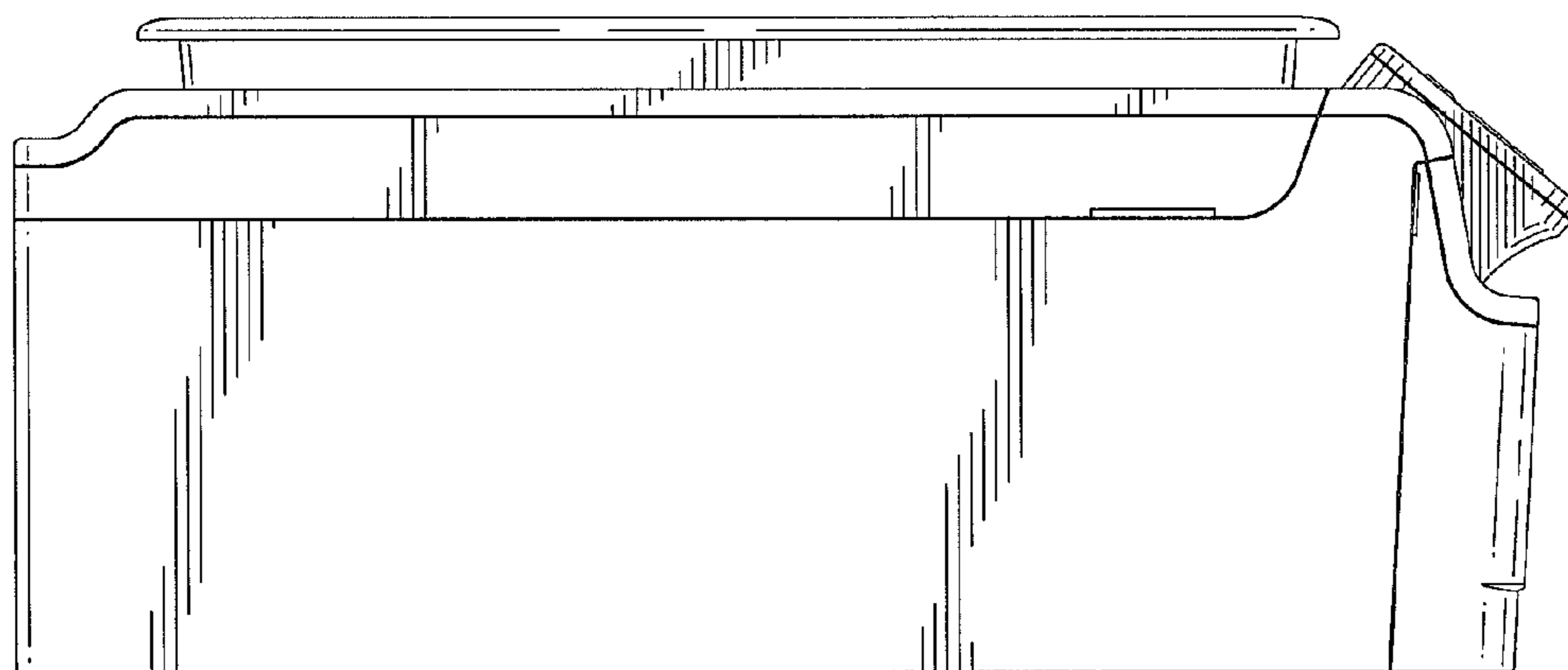


FIG. 5

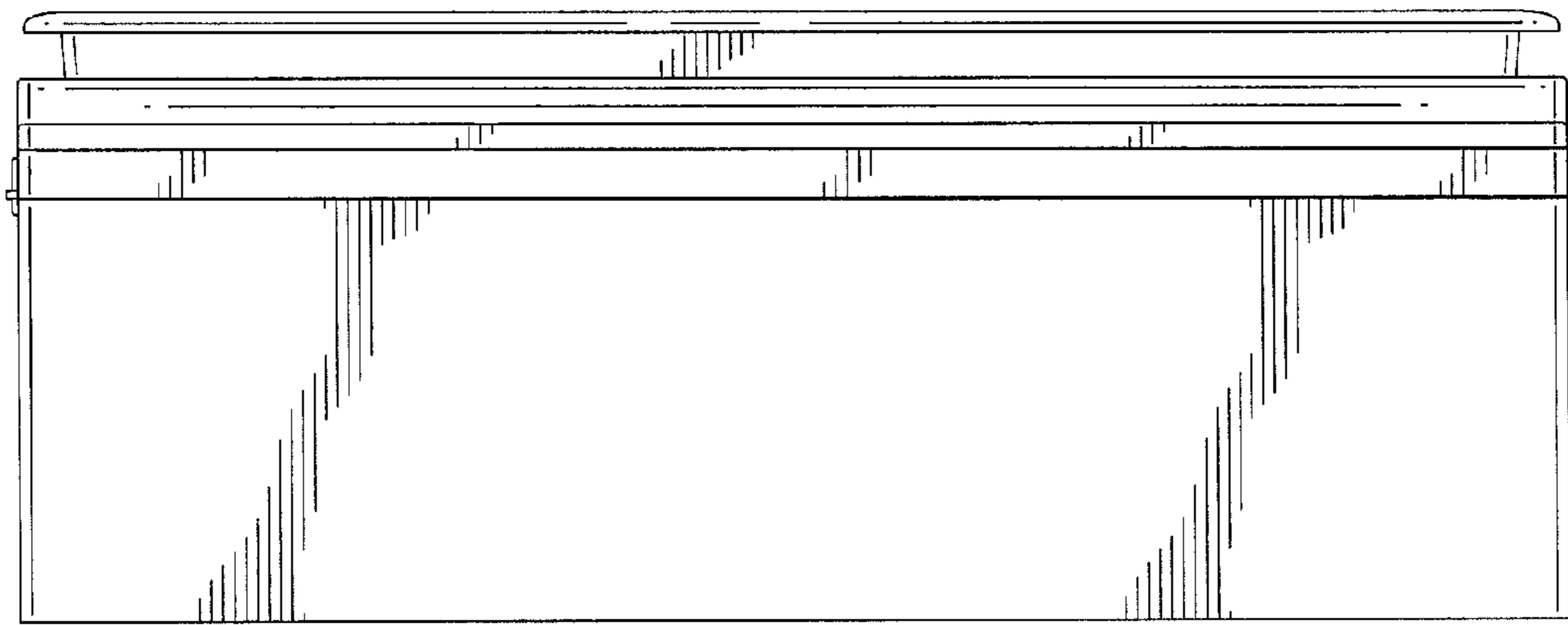


FIG. 6

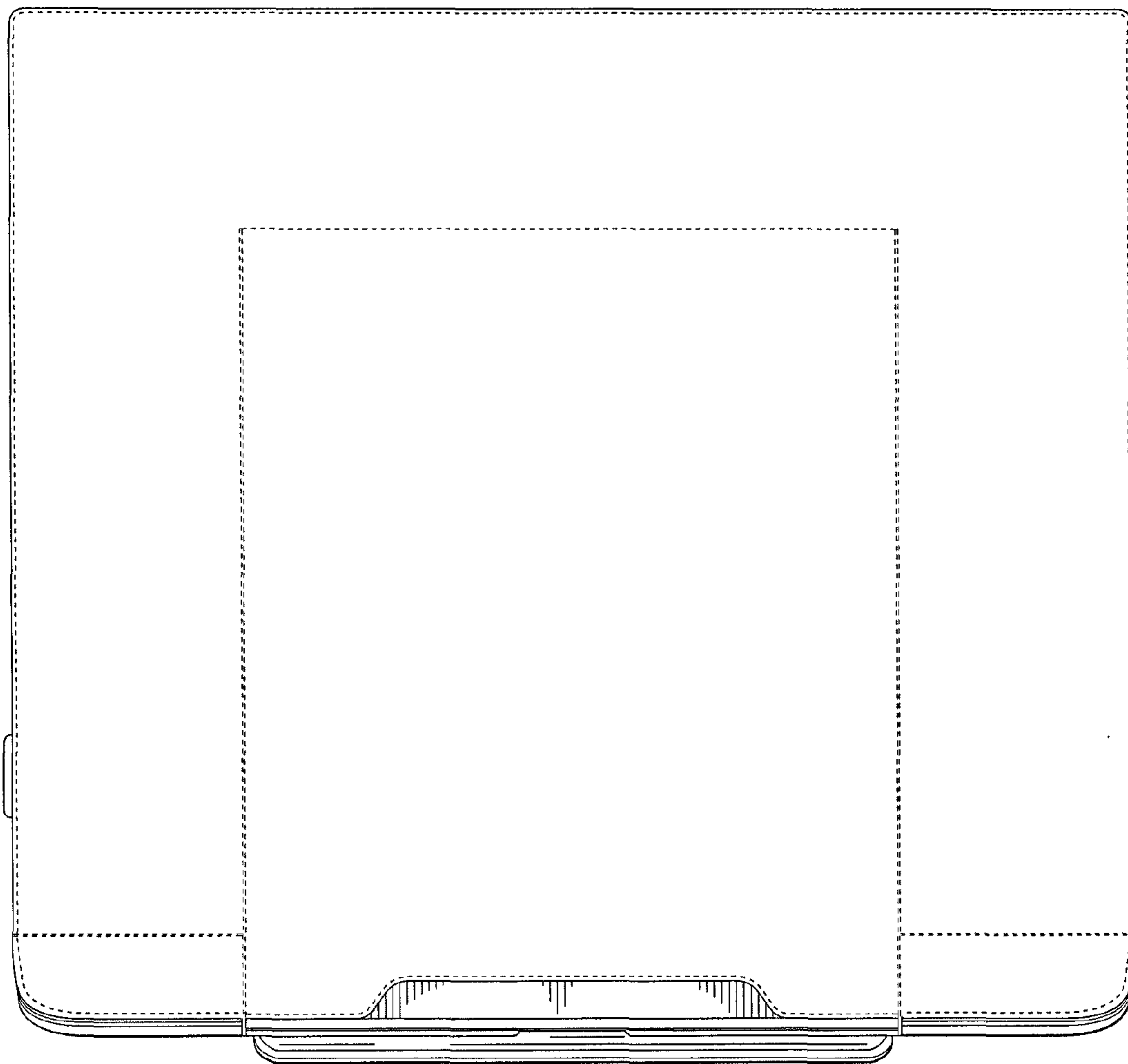


FIG. 7

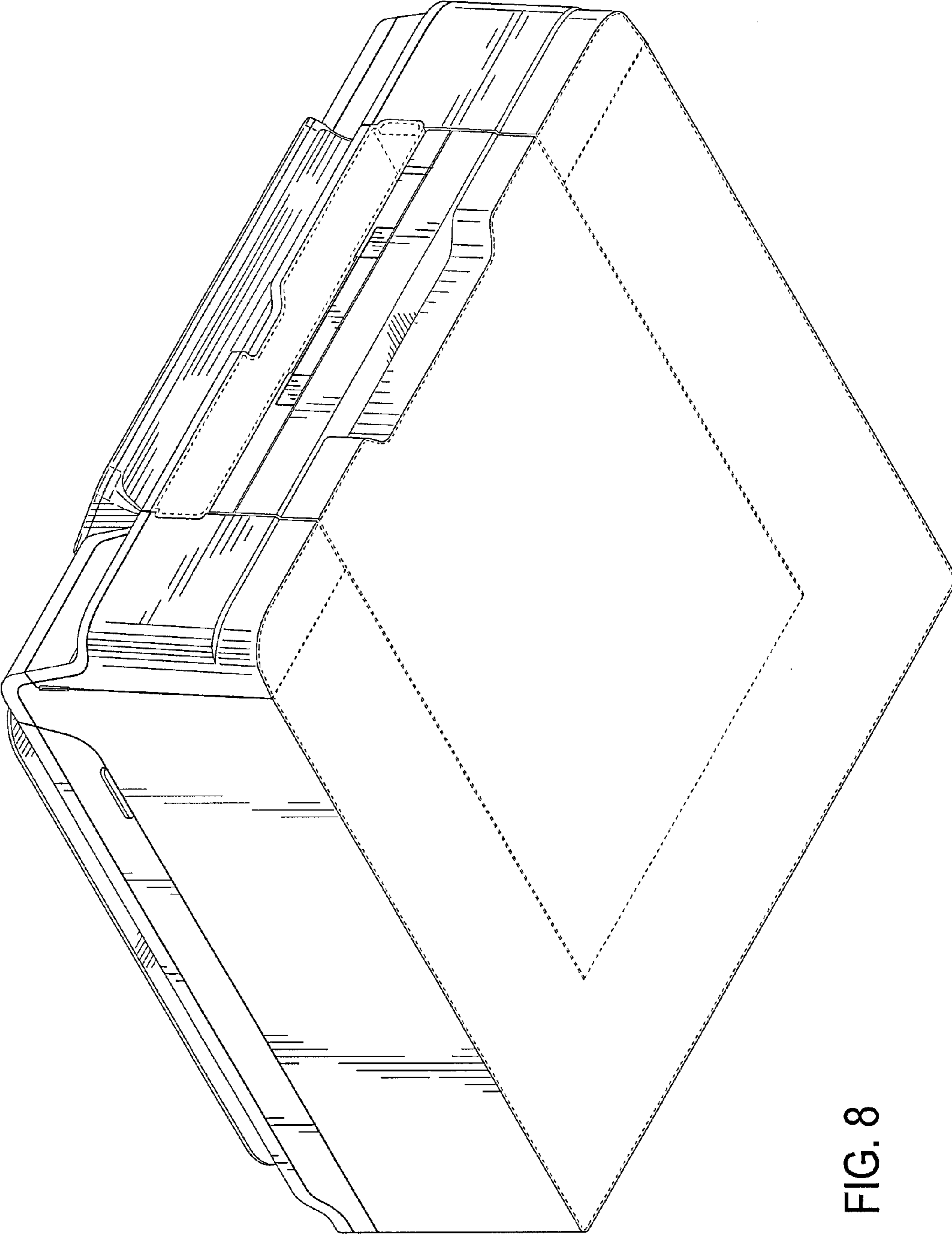


FIG. 8