



US00D720798S

(12) **United States Design Patent**
Lee et al.

(10) **Patent No.:** **US D720,798 S**
(45) **Date of Patent:** **** Jan. 6, 2015**

(54) **GLASSES**

- (71) Applicant: **Trimax Safety Corp.**, Tainan (TW)
- (72) Inventors: **Shih-I Lee**, Tainan (TW); **Ching-Hsiu Chan**, Tainan (TW)
- (73) Assignee: **Trimax Safety Corp**, Tainan (TW)
- (**) Term: **14 Years**
- (21) Appl. No.: **29/450,484**
- (22) Filed: **Mar. 18, 2013**
- (51) **LOC (10) Cl.** **16-06**
- (52) **U.S. Cl.**
USPC **D16/300**
- (58) **Field of Classification Search**
USPC D16/320, 333, 332, 325, 326, 328, 321,
D16/318, 310, 309, 306, 300, 335, 334, 136,
D16/330, 336, 338, 340, 341, 339, 327, 323,
D16/303, 329, 301, 337, 342, 316, 304,
D16/311; 24/58; D29/110; 2/12, 442, 445,
2/447, 448; 351/124, 69, 41, 137, 138,
351/139, 131, 132, 136, 65, 76, 78, 79, 87,
351/88; D3/219; D20/22, 40; D24/110.2,
D24/150, 160, 172

See application file for complete search history.

(56) **References Cited**

U.S. PATENT DOCUMENTS

D537,103	S	*	2/2007	Sheldon et al.	D16/330
D595,333	S	*	6/2009	Markovitz et al.	D16/326
7,591,555	B1	*	9/2009	Chen	351/137
D629,444	S	*	12/2010	Akarra et al.	D16/326
D641,774	S	*	7/2011	Sheldon	D16/321
D698,853	S	*	2/2014	Lee et al.	D16/311

* cited by examiner

Primary Examiner — Robert M Spear

Assistant Examiner — Eliza Bennett-Hattan

(74) *Attorney, Agent, or Firm* — Che-Yang Chen; Law Office of Michael Chen

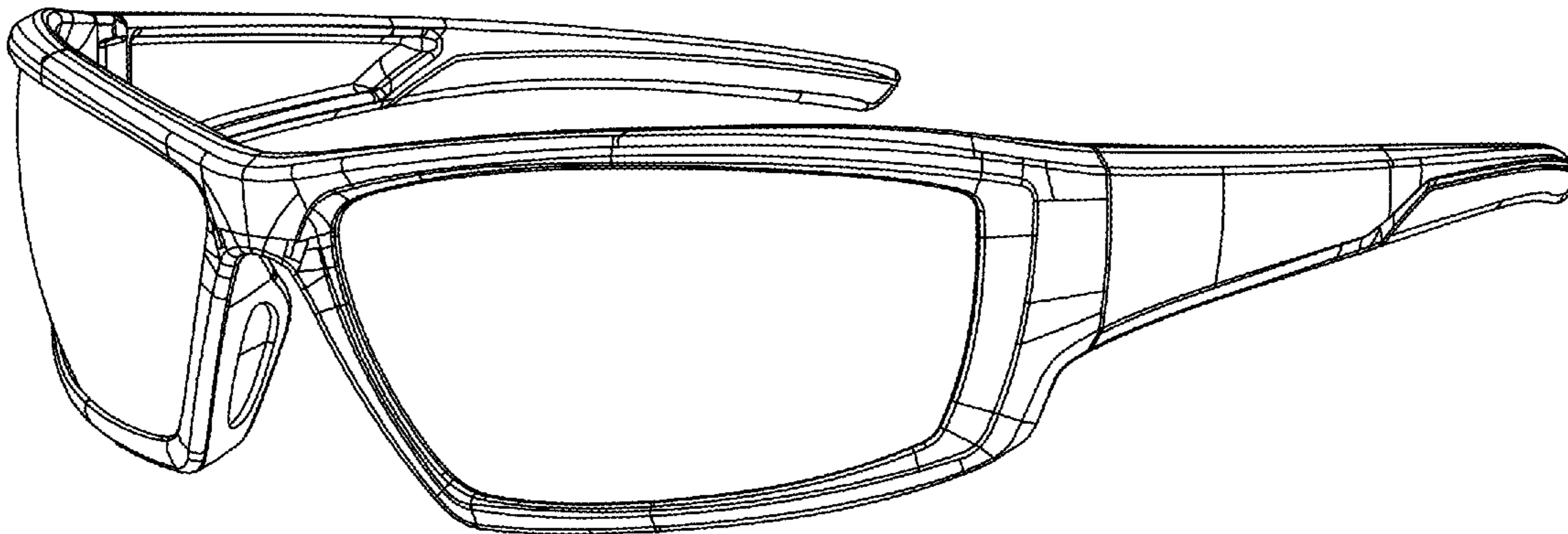
(57) **CLAIM**

The ornamental design for glasses, as shown and described.

DESCRIPTION

FIG. 1 is a front perspective view of a glasses, showing my new design;
 FIG. 2 is a rear perspective view thereof;
 FIG. 3 is a front elevational view thereof;
 FIG. 4 is a rear elevational view thereof;
 FIG. 5 is a left side elevational view thereof;
 FIG. 6 is a right side elevational view thereof;
 FIG. 7 is a top view elevational thereof; and,
 FIG. 8 is a bottom elevational view thereof.

1 Claim, 8 Drawing Sheets



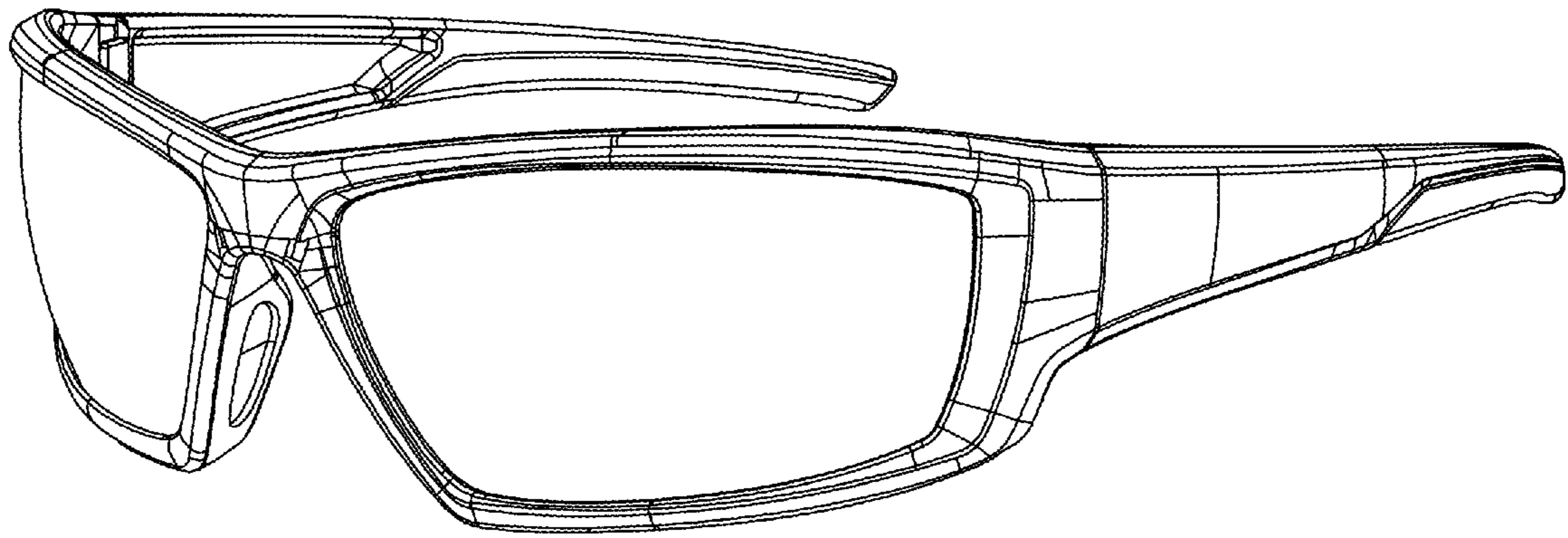


FIG.1

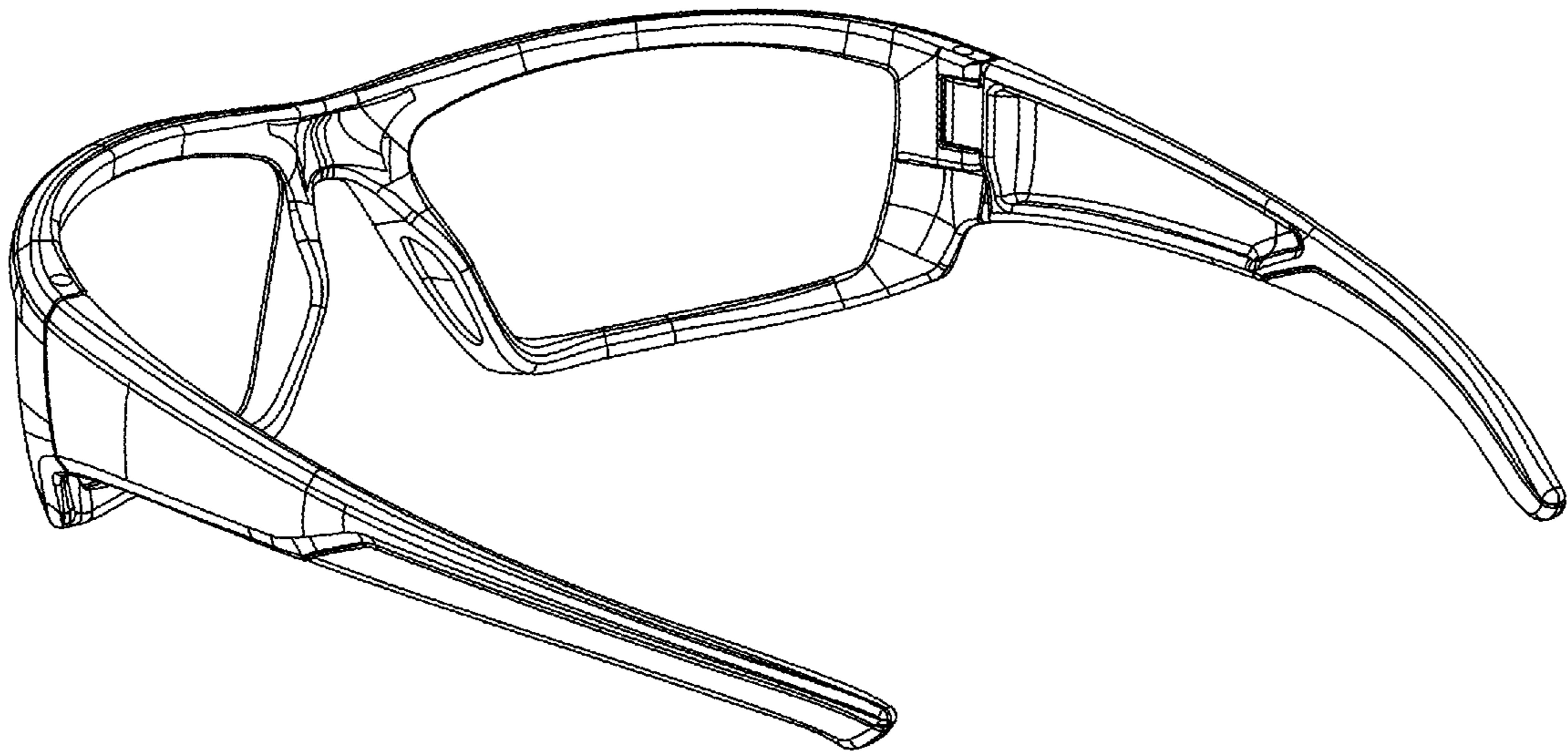


FIG.2

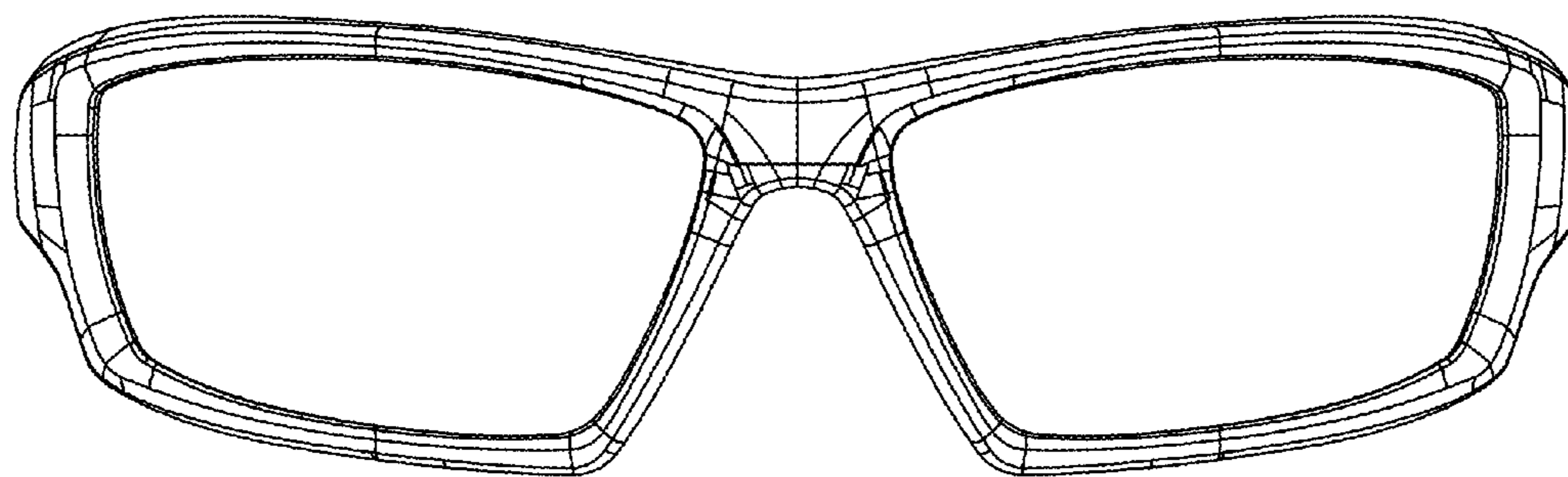


FIG.3

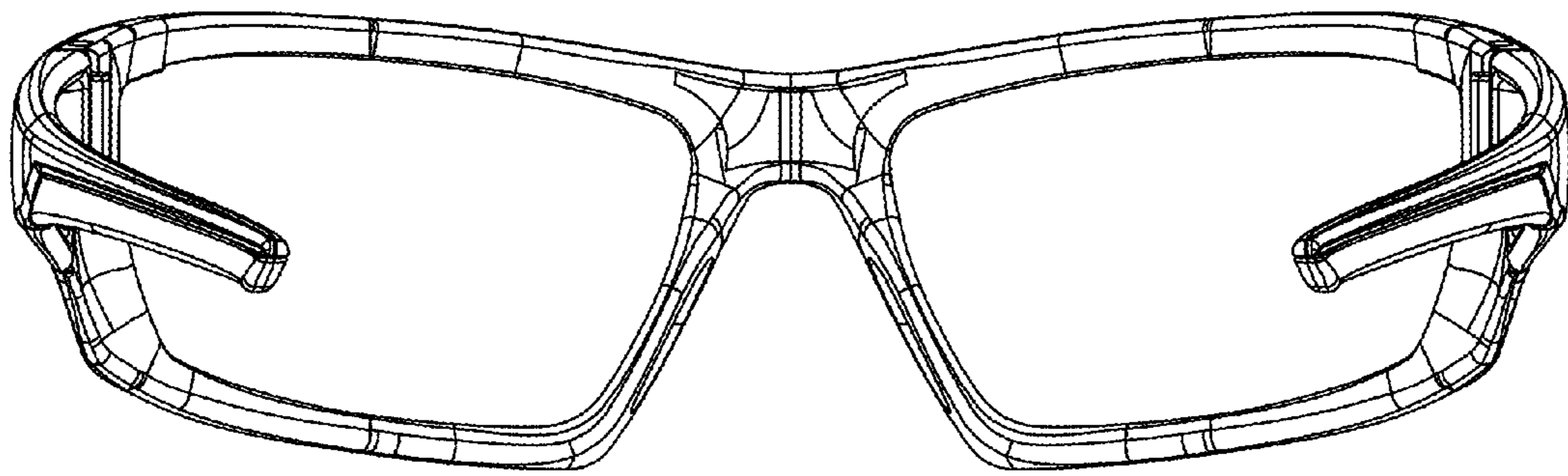


FIG.4

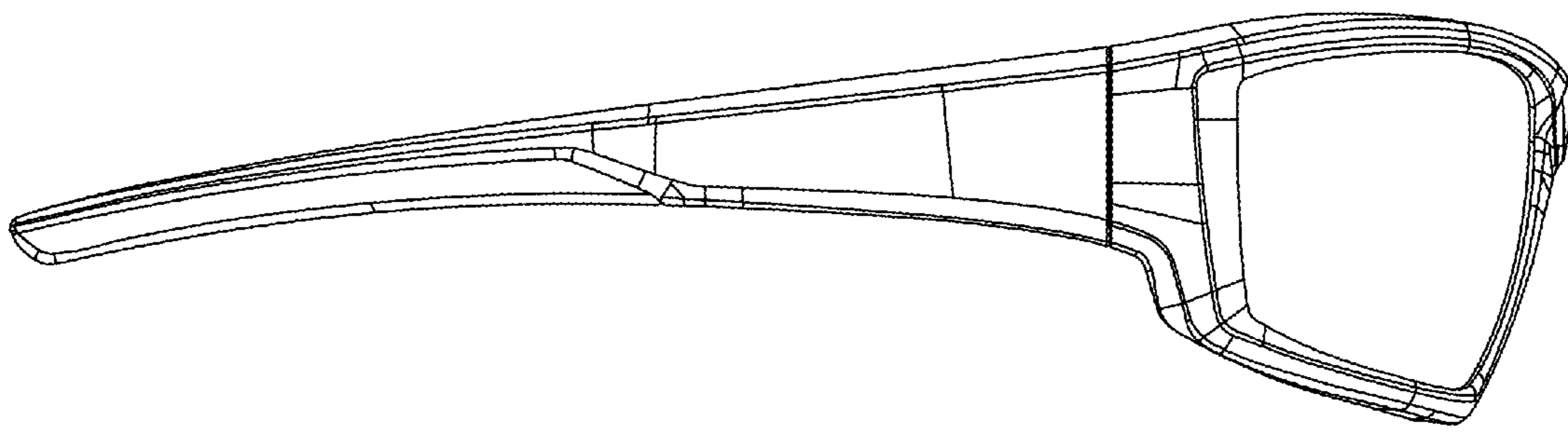


FIG.5

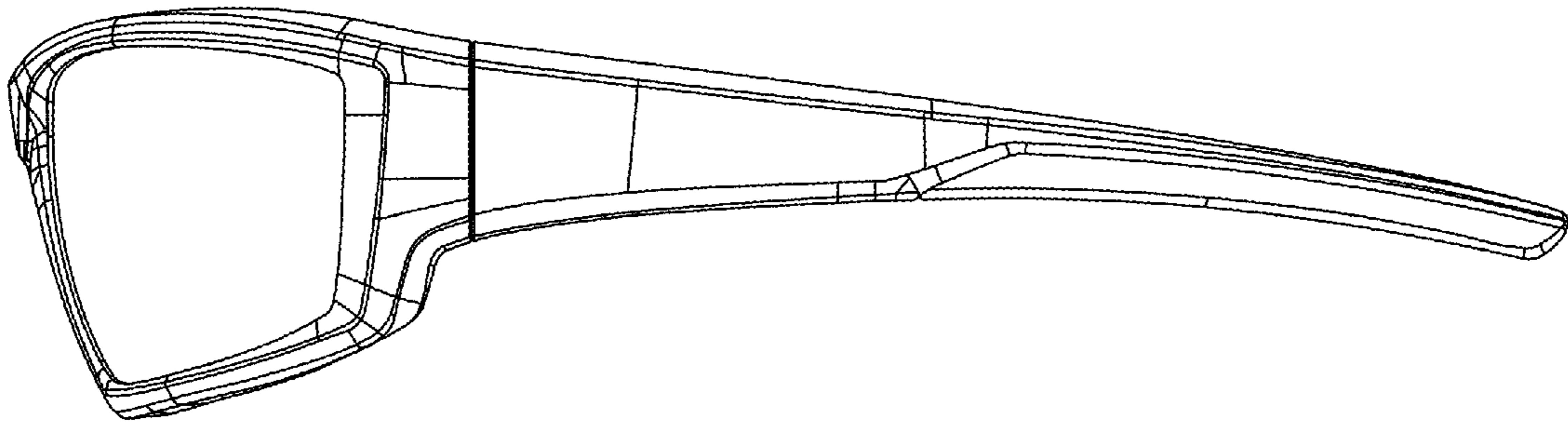


FIG.6

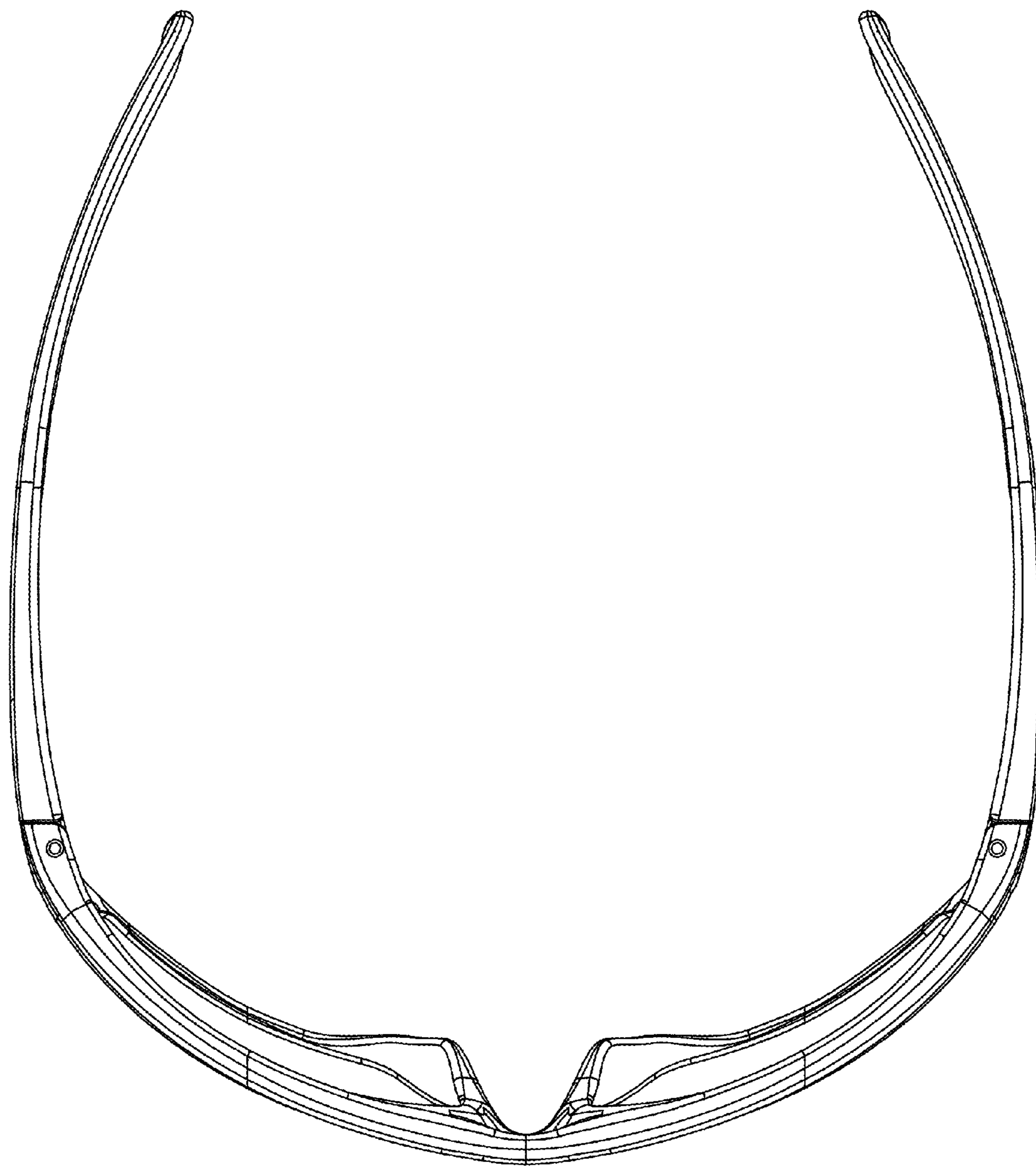


FIG.7

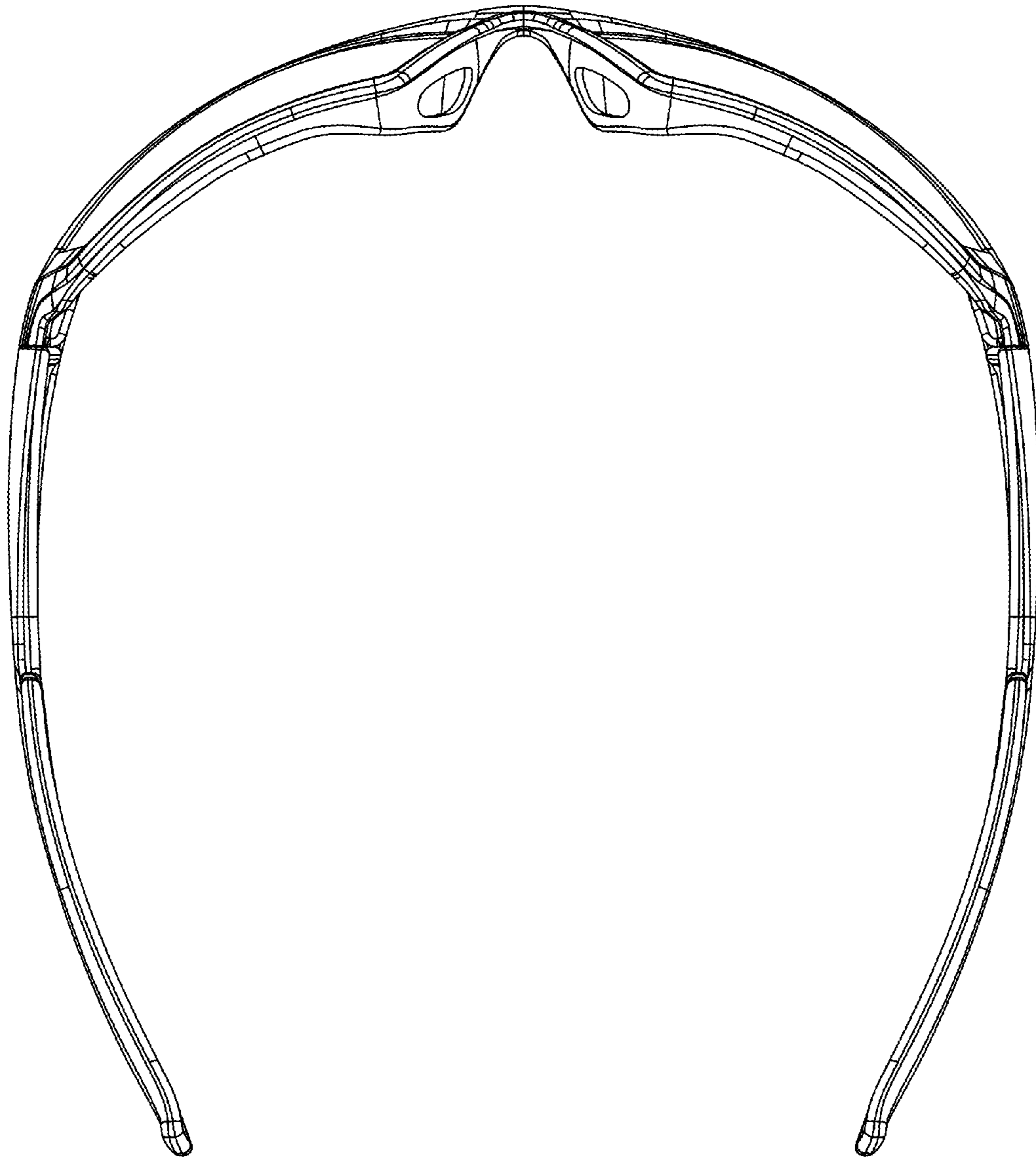


FIG.8