



US00D720793S

(12) **United States Design Patent**
Tajima

(10) **Patent No.:** **US D720,793 S**
(45) **Date of Patent:** **** Jan. 6, 2015**

(54) **DIGITAL CAMERA**

(56) **References Cited**

(71) Applicant: **Olympus Imaging Corporation**,
Shibuya-ku, Tokyo (JP)

(72) Inventor: **Kenji Tajima**, Hachioji (JP)

(73) Assignee: **Olympus Imaging Corp.**, Tokyo (JP)

(**) Term: **14 Years**

(21) Appl. No.: **29/471,102**

(22) Filed: **Oct. 28, 2013**

(30) **Foreign Application Priority Data**

Aug. 9, 2013 (JP) 2013-018439

(51) **LOC (10) Cl.** **16-05**

(52) **U.S. Cl.**
USPC **D16/219**

(58) **Field of Classification Search**
CPC G03B 15/03; G03B 17/02; G03B 17/04;
G03B 17/56; G03B 19/04; H04N 5/2251;
H04N 5/2252; H04N 5/2253; H04N 5/2254;
H04N 2101/00
USPC D16/200, 202–206, 208, 209, 217–219,
D16/242; 348/373–376; 396/176–178, 535,
396/539–541

See application file for complete search history.

U.S. PATENT DOCUMENTS

5,852,752 A *	12/1998	Nakanishi et al.	396/176
D433,435 S *	11/2000	Hamamura	D16/219
D485,289 S *	1/2004	Hayashi	D16/219
D491,596 S *	6/2004	Haga	D16/219
D505,684 S *	5/2005	Gotham et al.	D16/202
6,999,676 B2 *	2/2006	Hsien et al.	396/177
D561,806 S *	2/2008	Funakoshi et al.	D16/217
D564,561 S *	3/2008	Takahashi	D16/217
D605,679 S *	12/2009	Hayashi	D16/206
D640,720 S *	6/2011	Yoshii et al.	D16/202
D681,090 S *	4/2013	Tainaka	D16/200

* cited by examiner

Primary Examiner — Adir Aronovich

Assistant Examiner — Ramzi Almatrahi

(74) *Attorney, Agent, or Firm* — Holtz, Holtz, Goodman & Chick PC

(57) **CLAIM**

The ornamental design for a digital camera, as shown and described.

DESCRIPTION

FIG. 1 is a front, top and right side perspective view of a digital camera showing my new design; FIG. 2 is a front elevational view thereof; FIG. 3 is a rear elevational view thereof; FIG. 4 is a top plan view thereof; FIG. 5 is a bottom plan view thereof; FIG. 6 is a right side elevational view thereof; and, FIG. 7 is a left side elevational view thereof. The broken lines depict portions of the digital camera in which the design is embodied and form no part of the claimed design.

1 Claim, 6 Drawing Sheets

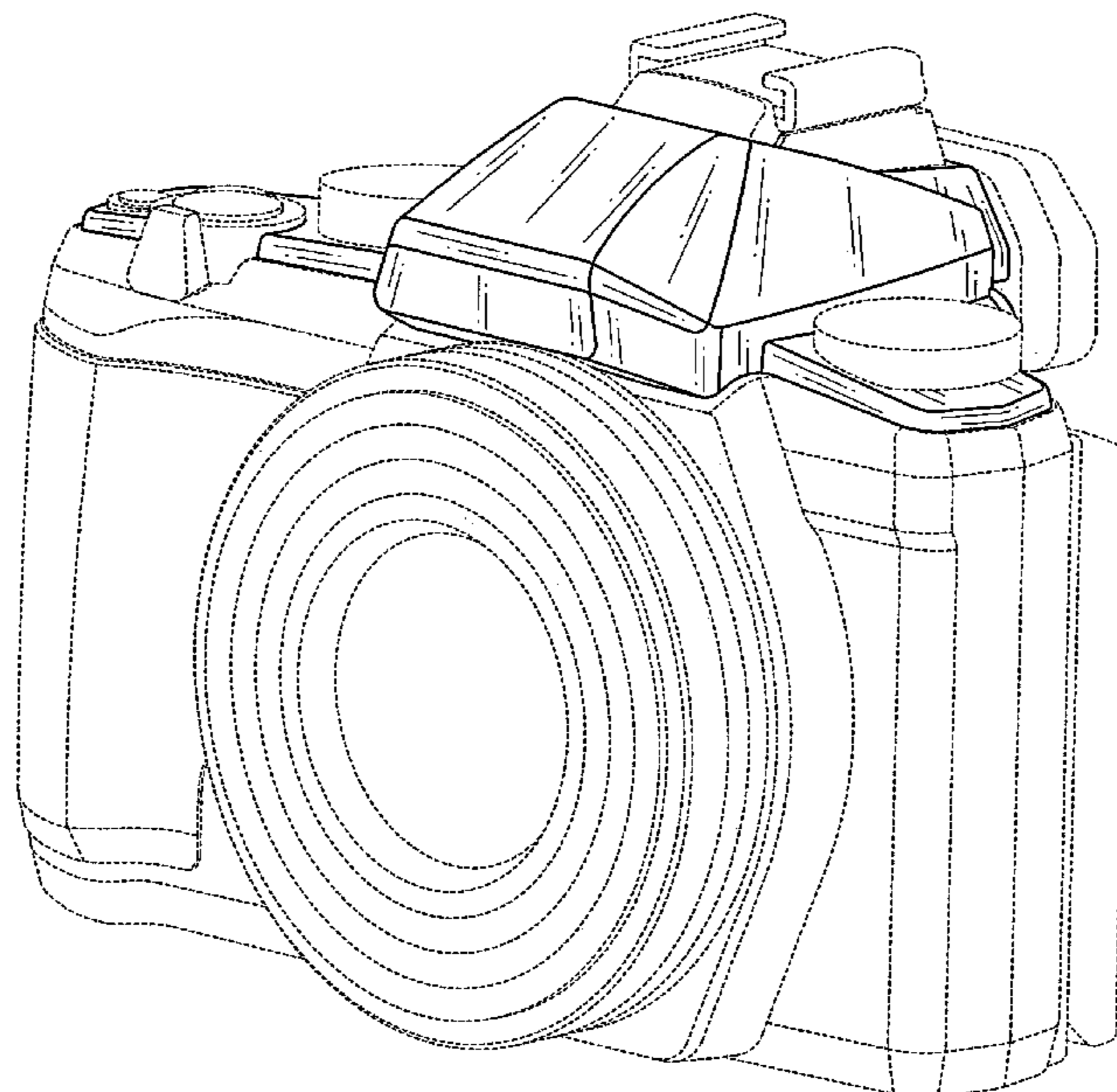


FIG.1

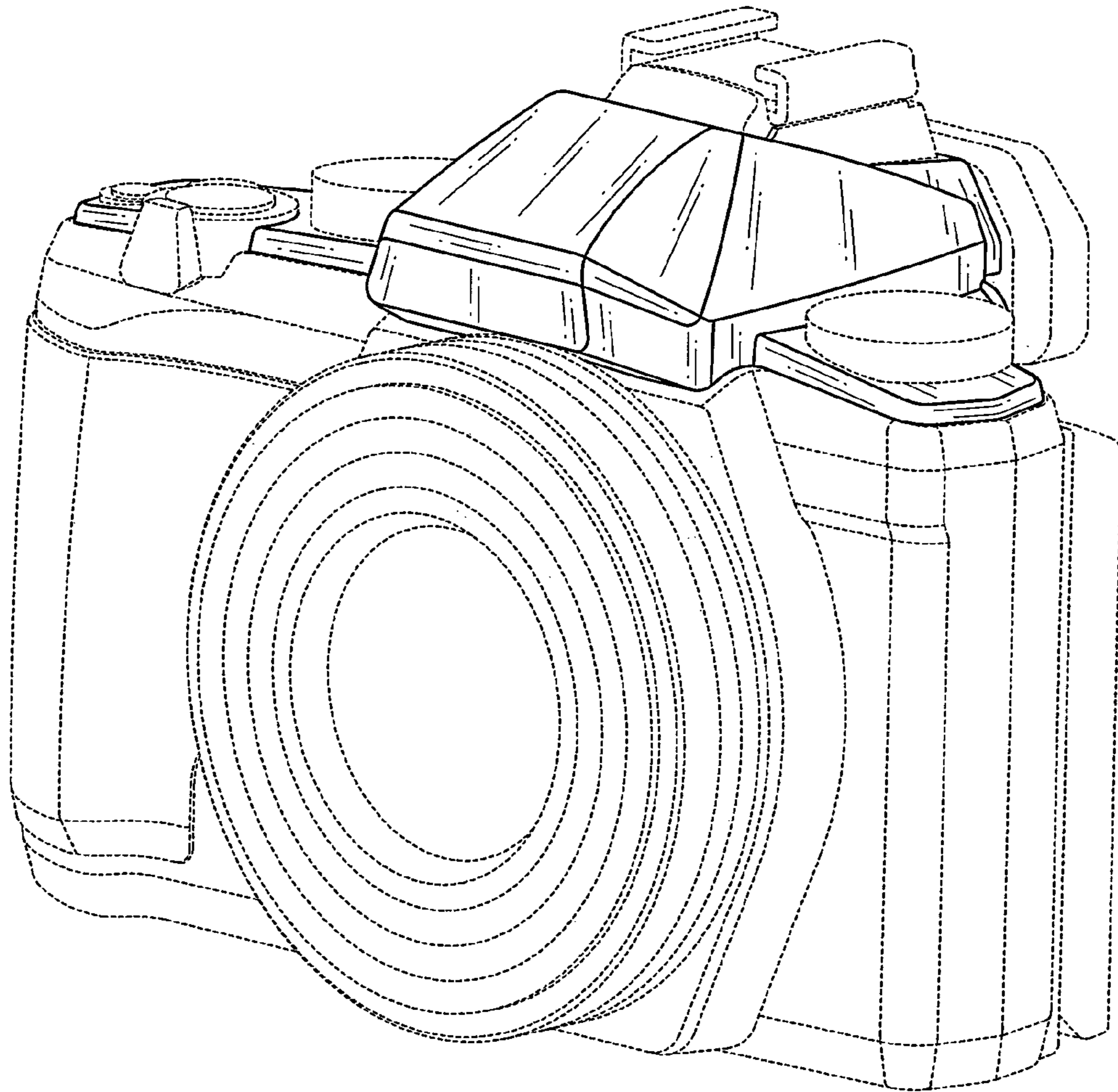


FIG.2

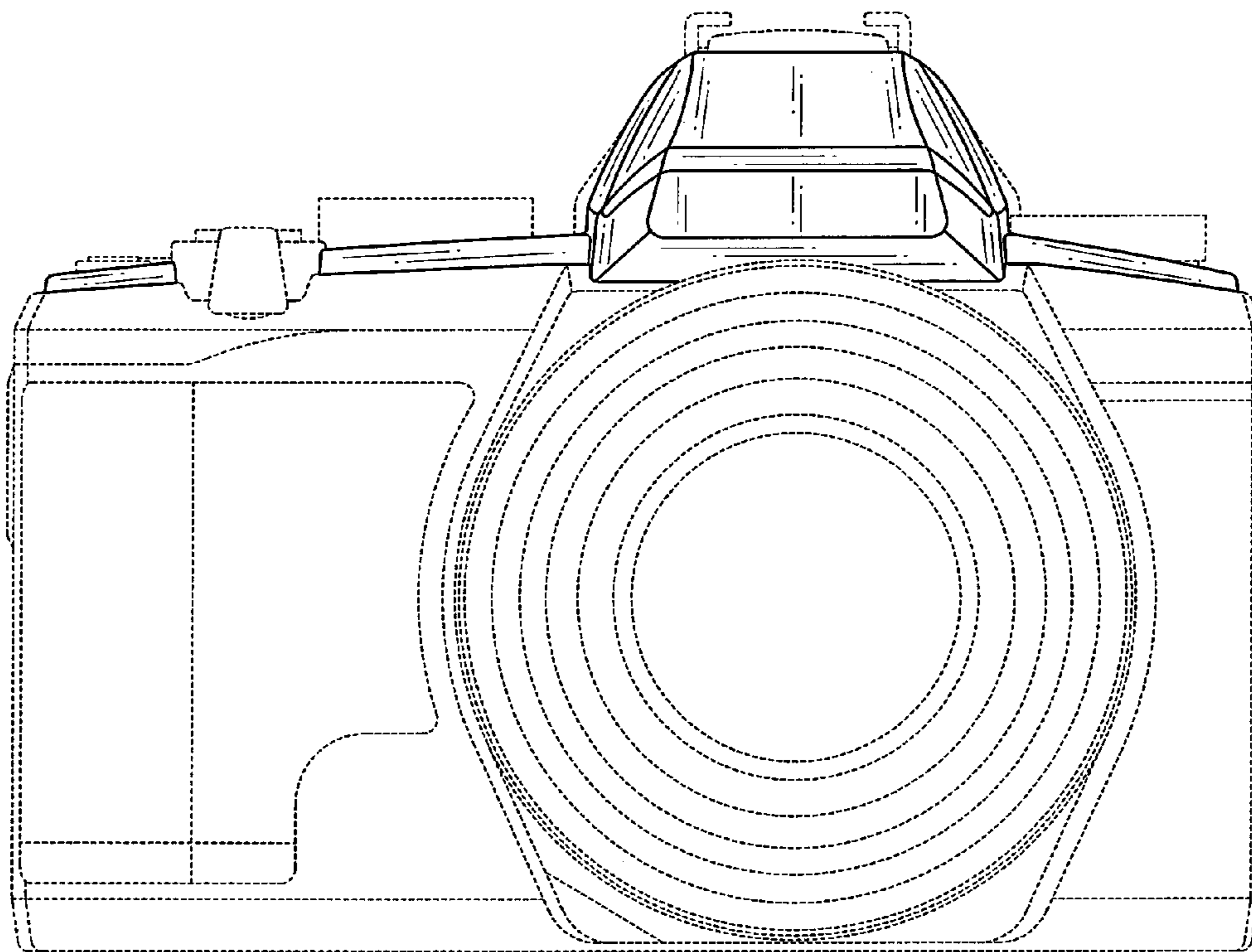


FIG.3

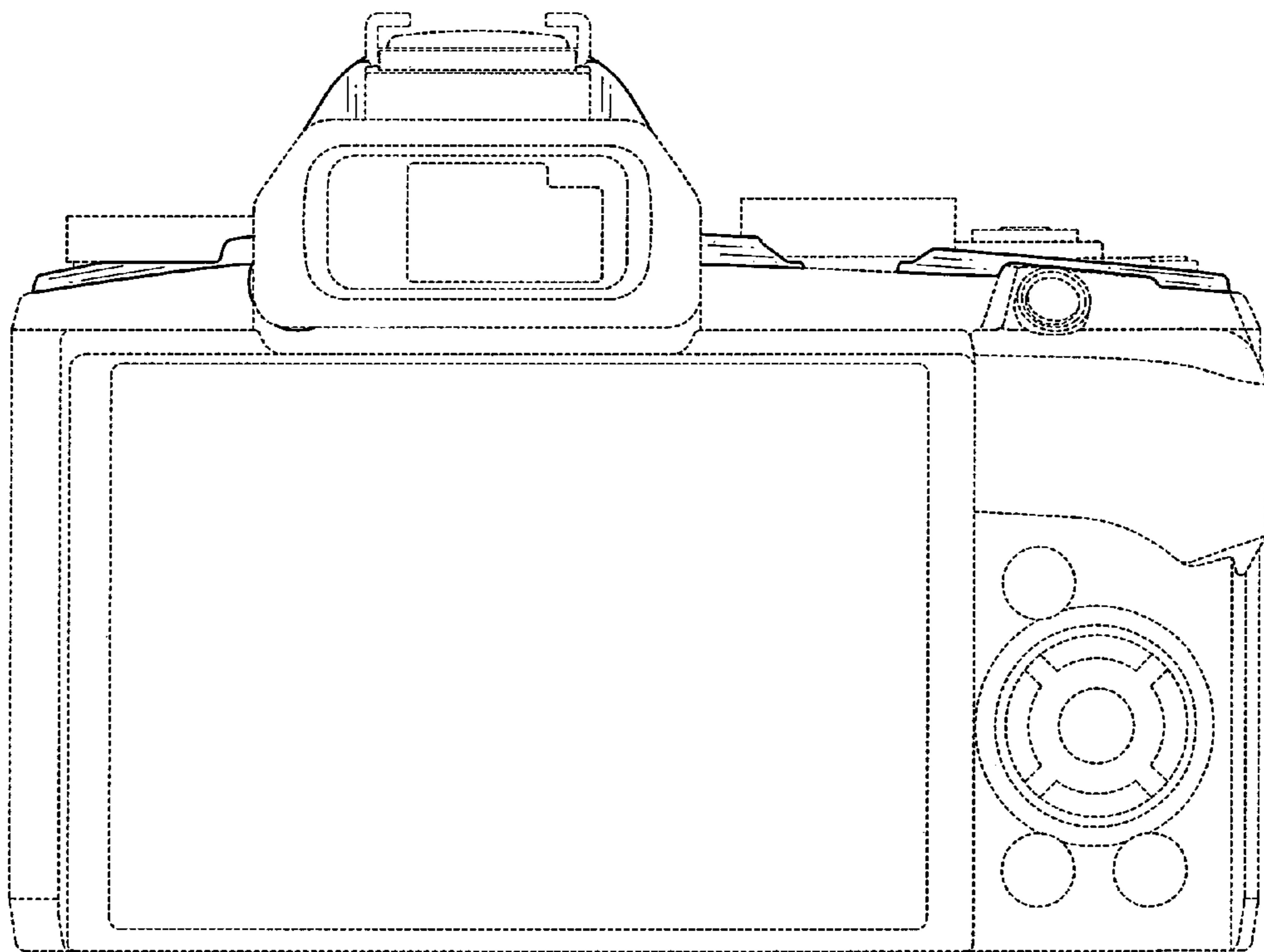


FIG.4

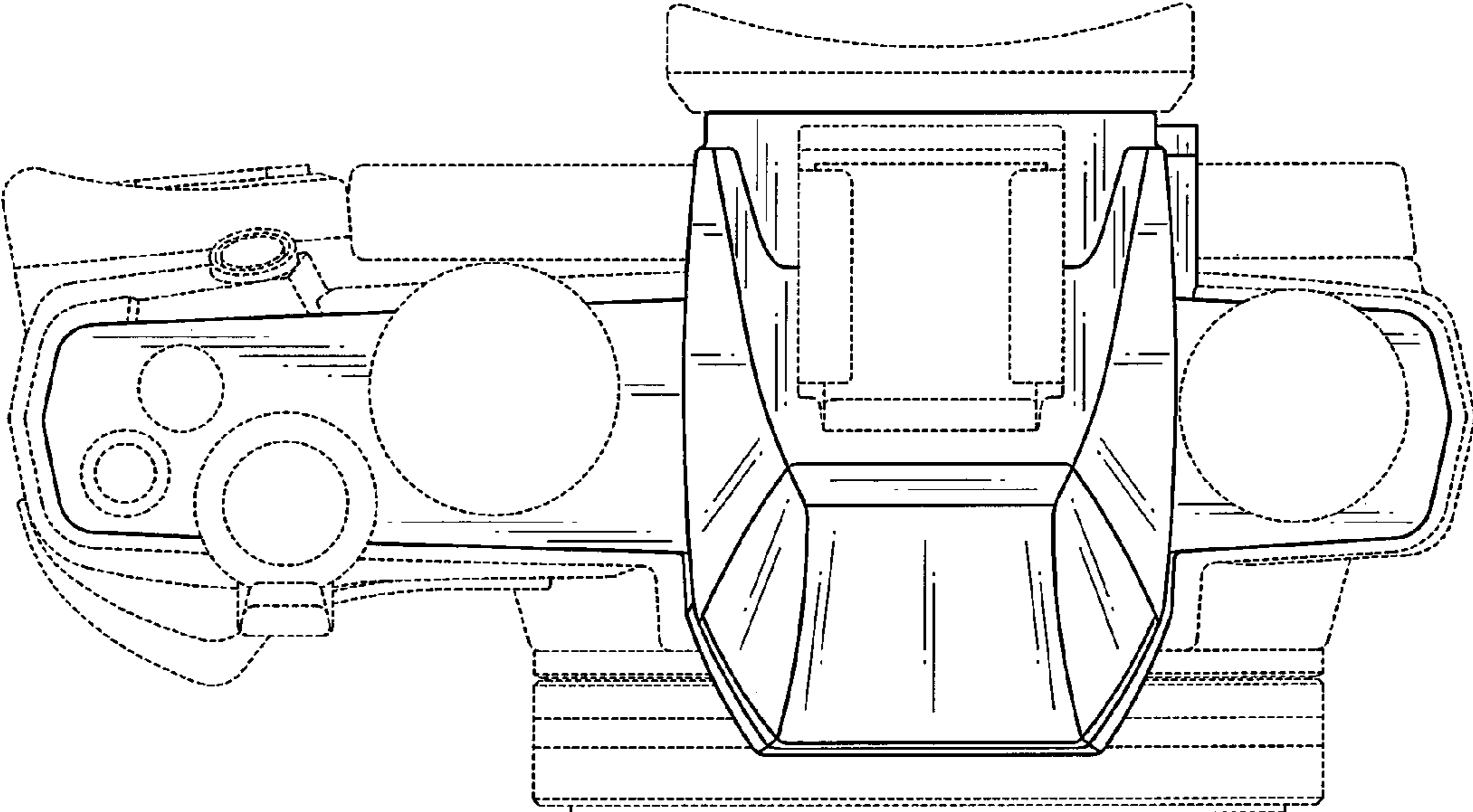


FIG.5

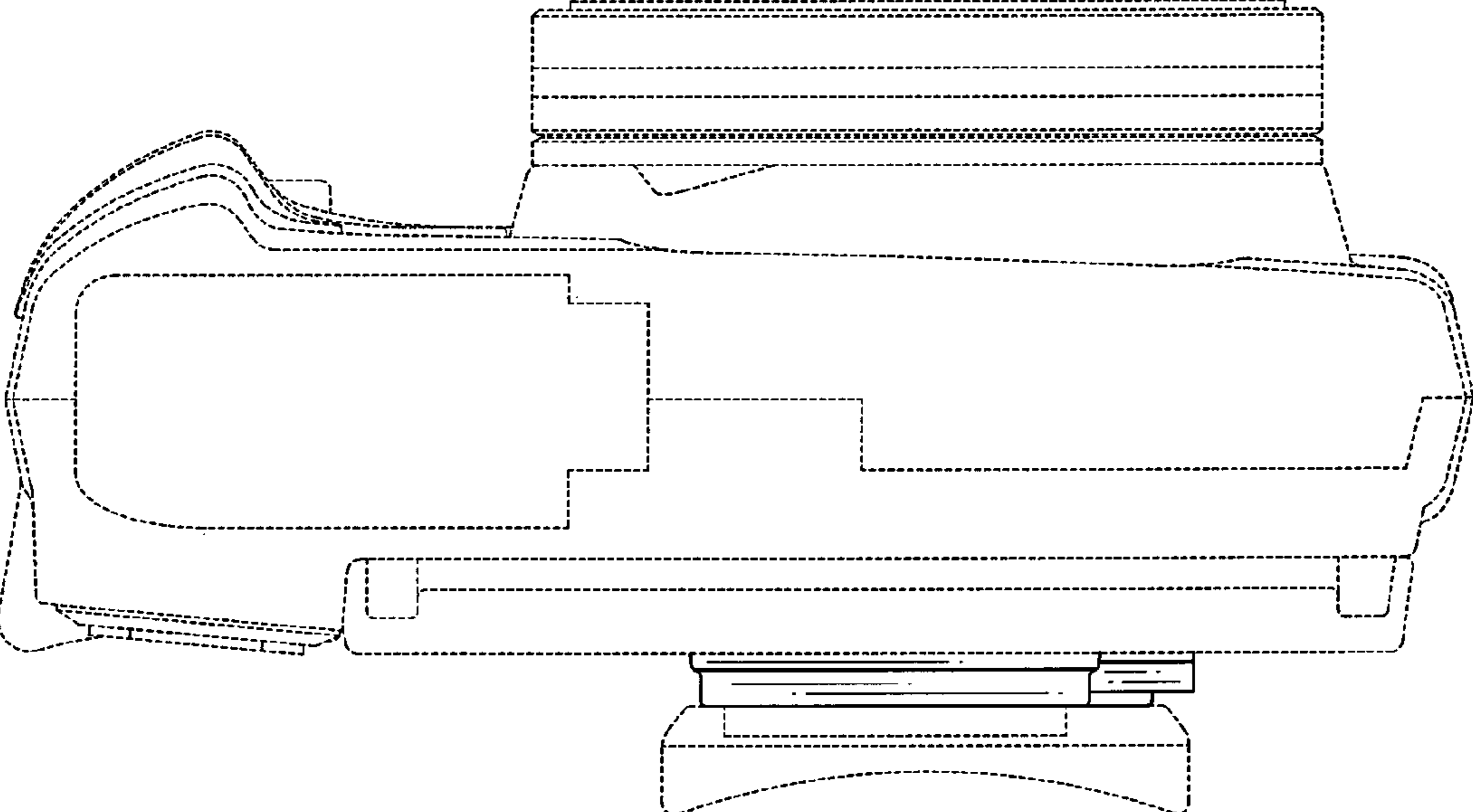


FIG.6

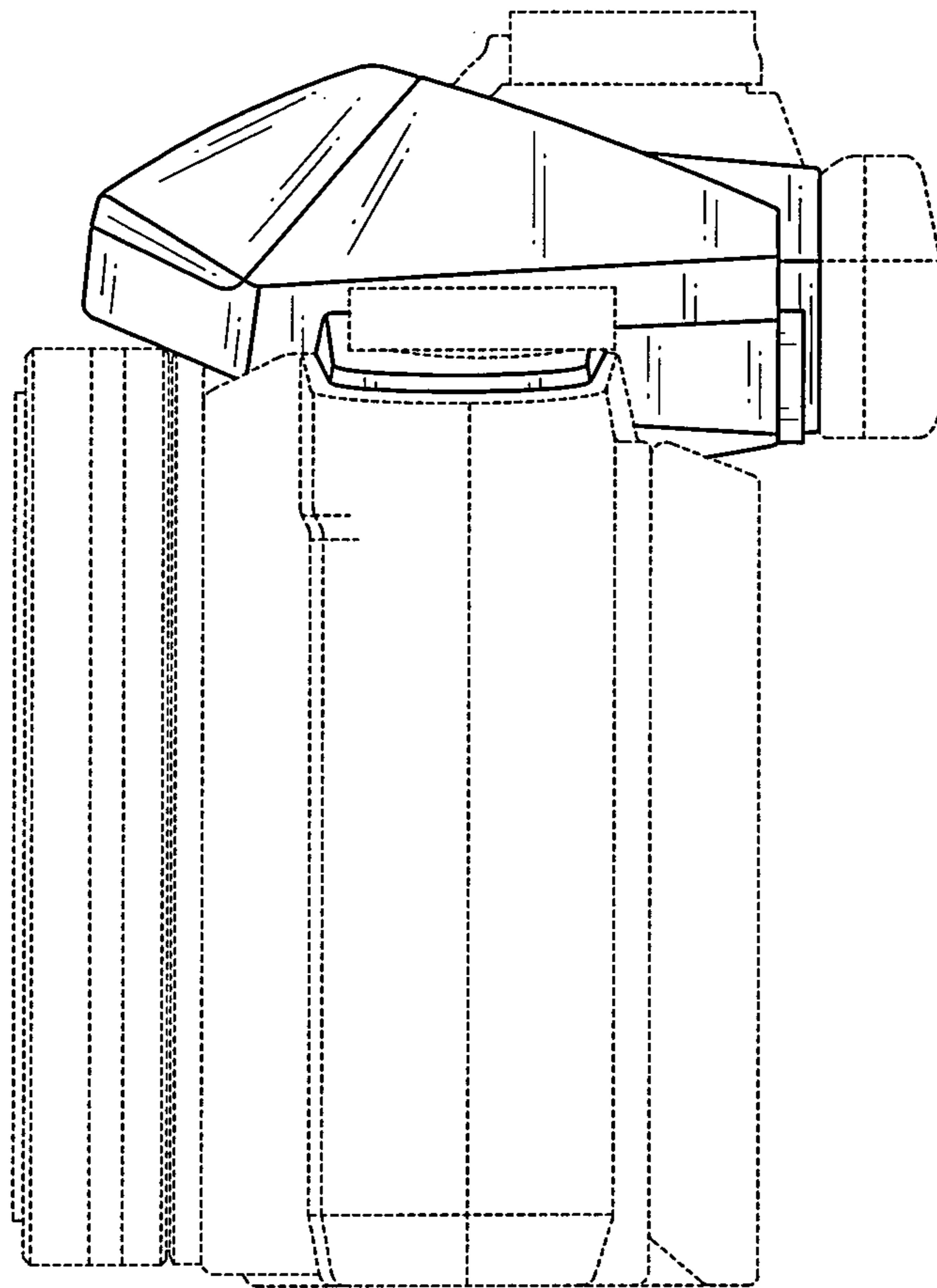


FIG.7

