

US00D720792S

(12) **United States Design Patent**  
**So et al.**

(10) **Patent No.:** **US D720,792 S**  
(45) **Date of Patent:** **\*\* Jan. 6, 2015**

(54) **HOOD FOR CAMERA LENS**

(71) Applicant: **Samyang Optics Co., Ltd.**, Masan,  
Gyeongsangnam-do (KR)

(72) Inventors: **Bong-Tae So**, Tongyeong-si (KR);  
**Hyun-Sik Yun**, Changwon-si (KR)

(73) Assignee: **Samyang Optics Co., Ltd.**, Masan,  
Gyeongsangnam-Do (KR)

(\*\*) Term: **14 Years**

(21) Appl. No.: **29/466,634**

(22) Filed: **Sep. 10, 2013**

(30) **Foreign Application Priority Data**

Jun. 25, 2013 (KR) ..... 30-2013-0032489

(51) **LOC (10) Cl.** ..... **16-05**

(52) **U.S. Cl.**  
USPC ..... **D16/219**

(58) **Field of Classification Search**  
USPC ..... D16/134, 136, 200, 202, 218, 219;  
348/373, 374; 359/819, 826-828, 830;  
396/529-535, 540, 541

See application file for complete search history.

(56) **References Cited**

U.S. PATENT DOCUMENTS

5,299,067	A *	3/1994	Kutz et al. ....	359/827
6,288,855	B1 *	9/2001	Devenyi ....	359/830
6,388,825	B1 *	5/2002	Koiwai et al. ....	359/819
6,819,510	B1 *	11/2004	Devenyi ....	359/826
7,104,658	B2 *	9/2006	Fischbach et al. ....	396/534
8,475,063	B1 *	7/2013	Chang ....	396/534
D702,751	S *	4/2014	Yoon ....	D16/219

\* cited by examiner

*Primary Examiner* — Adir Aronovich

(74) *Attorney, Agent, or Firm* — Lowe Hauptman & Ham,  
LLP

(57) **CLAIM**

The ornamental design for a hood for camera lens, as shown  
and described.

**DESCRIPTION**

FIG. 1 is a perspective view of a hood for camera lens showing my new design;  
FIG. 2 is a front elevational view thereof;  
FIG. 3 is a rear elevational view thereof;  
FIG. 4 is a left side elevational view thereof;  
FIG. 5 is a right side elevational view thereof;  
FIG. 6 is a top plan view thereof; and,  
FIG. 7 is a bottom plan view showing the subject article thereof.

**1 Claim, 4 Drawing Sheets**

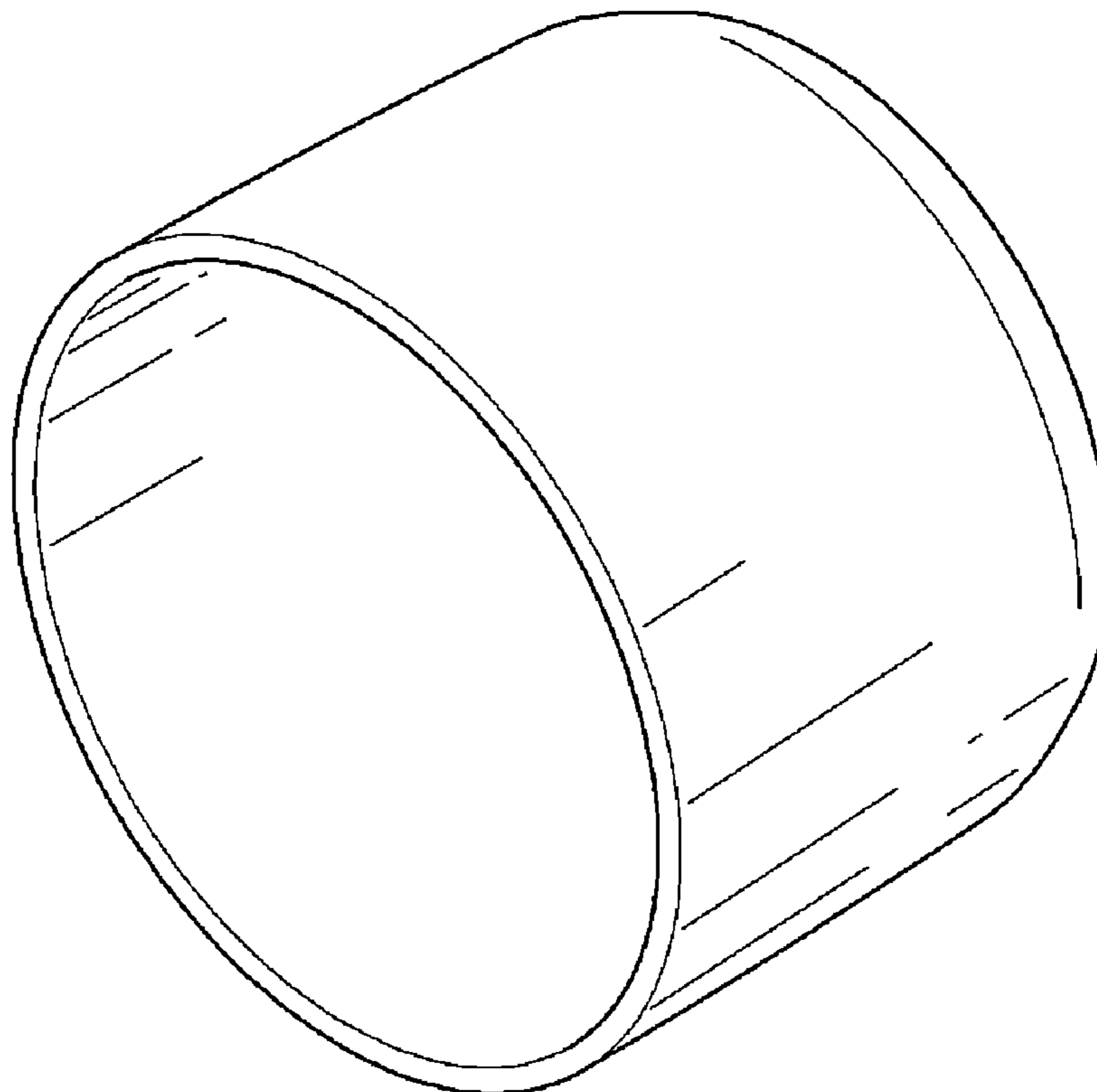


FIG. 1

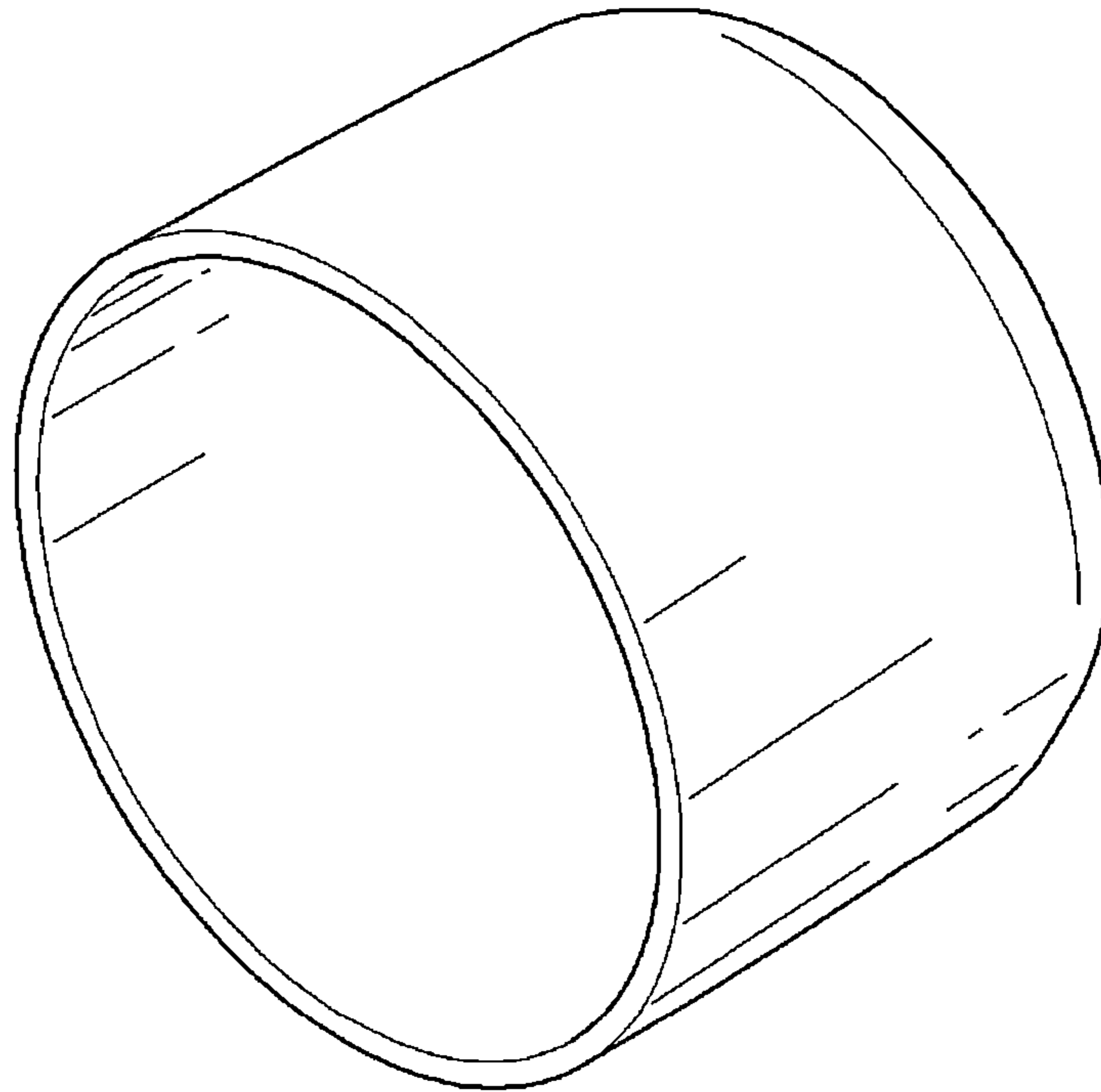


FIG. 2

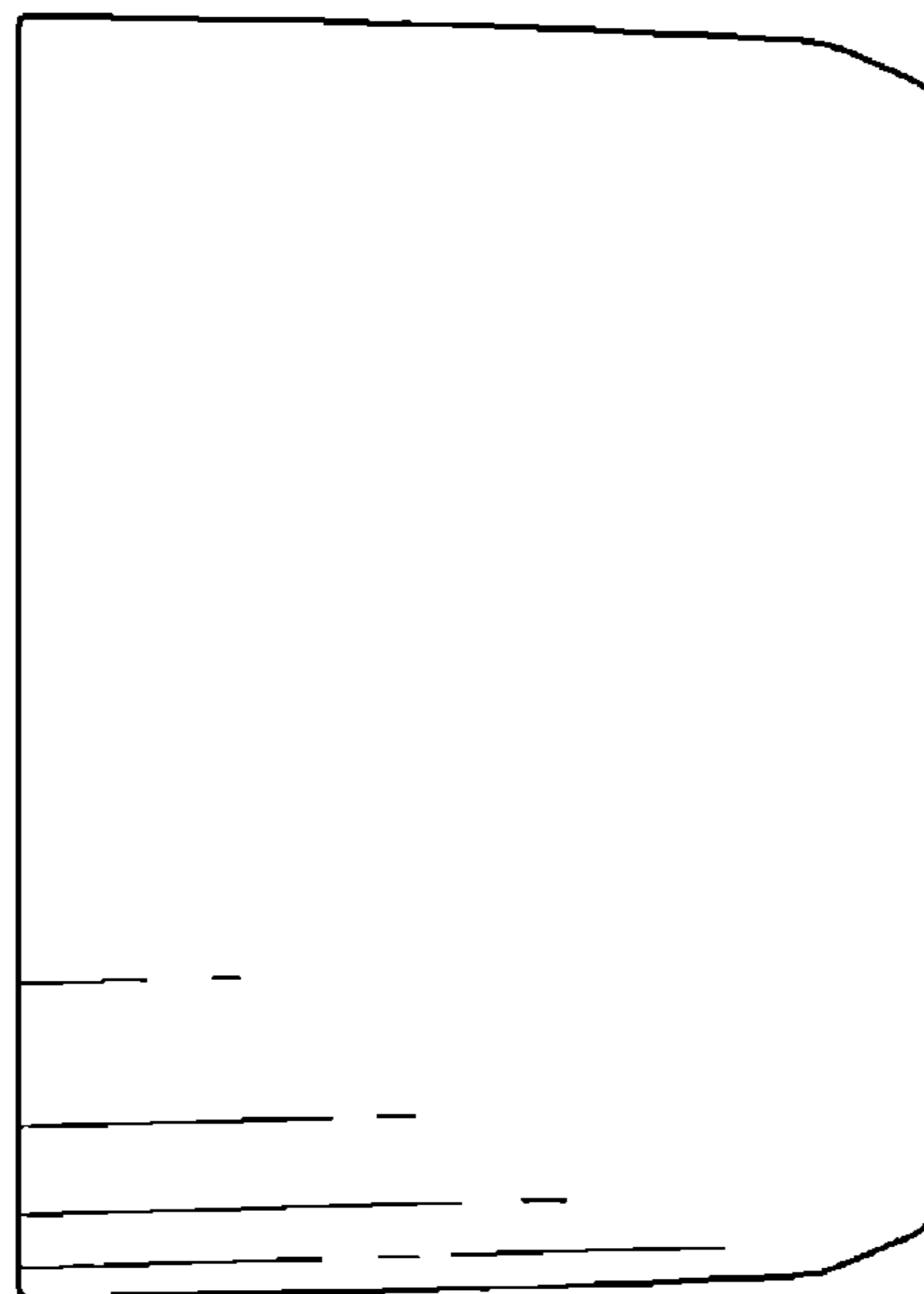


FIG. 3

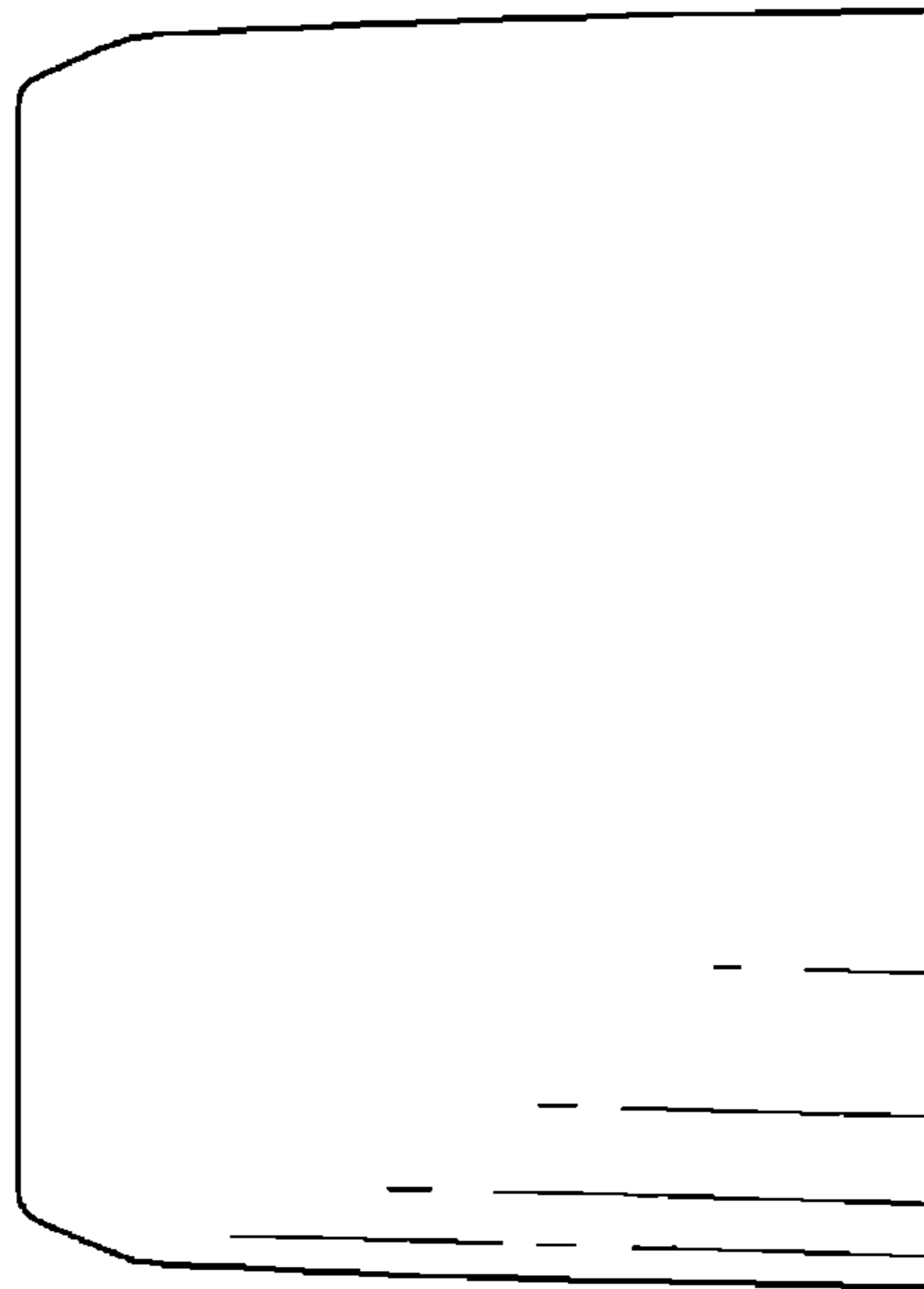


FIG. 4

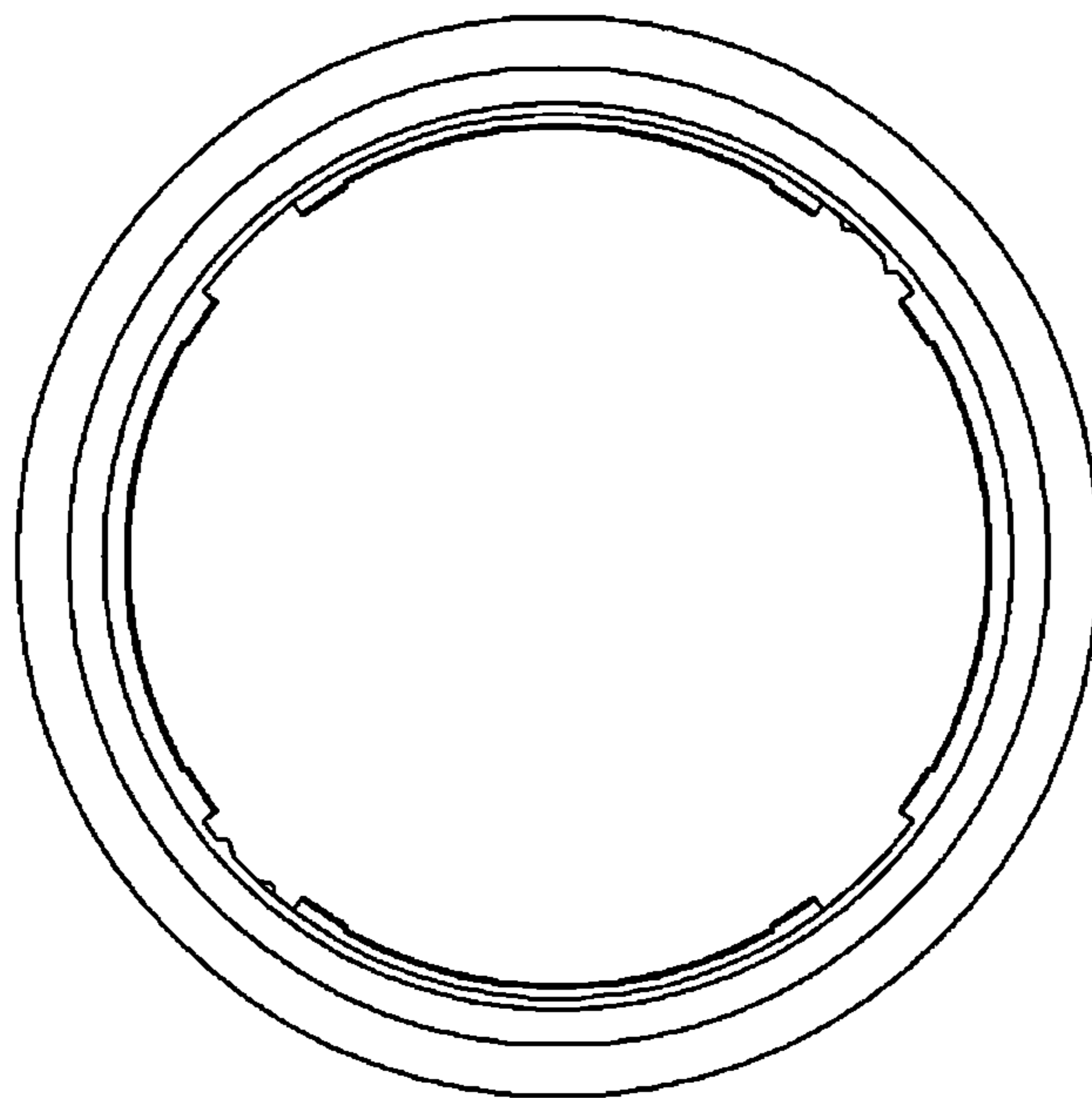


FIG. 5

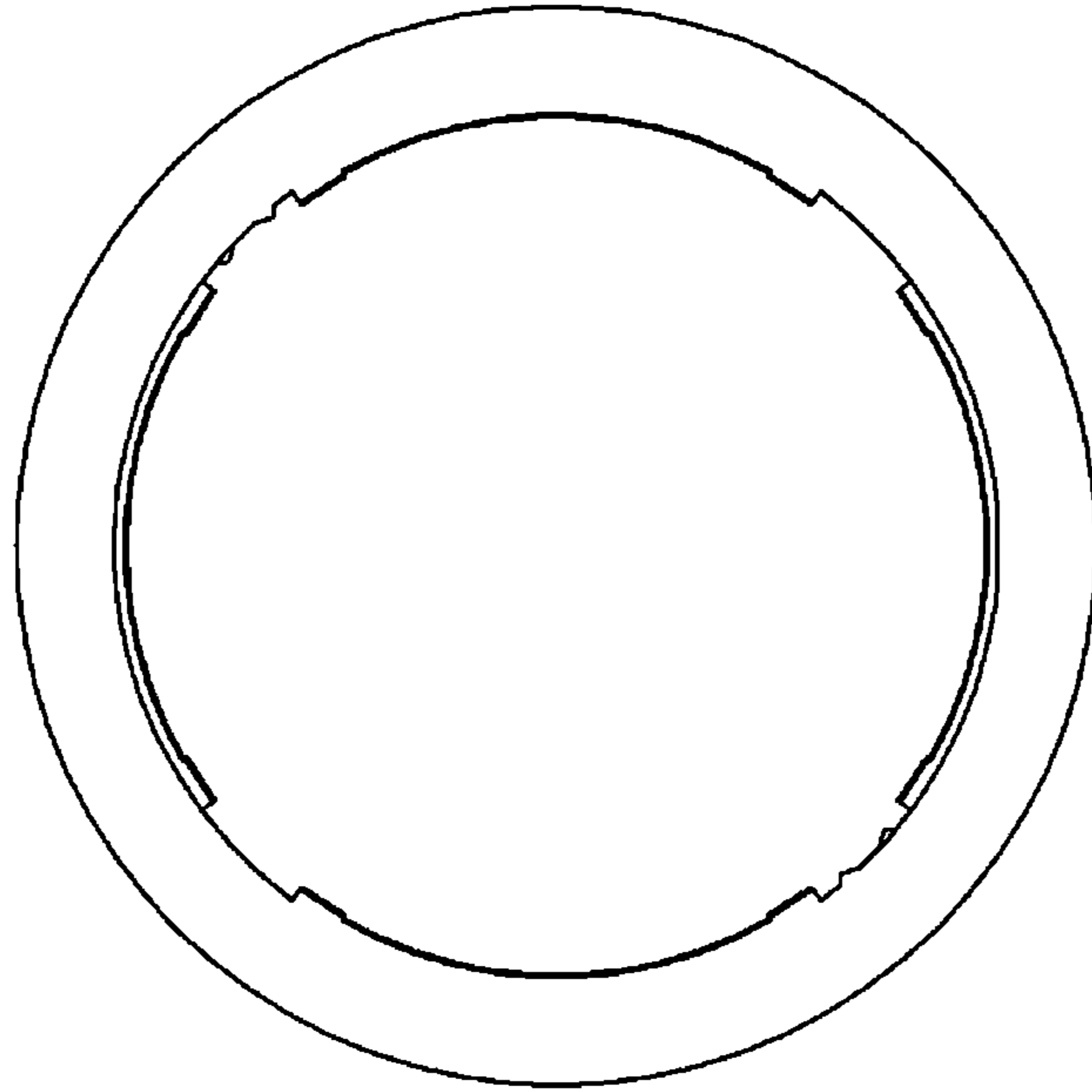


FIG. 6

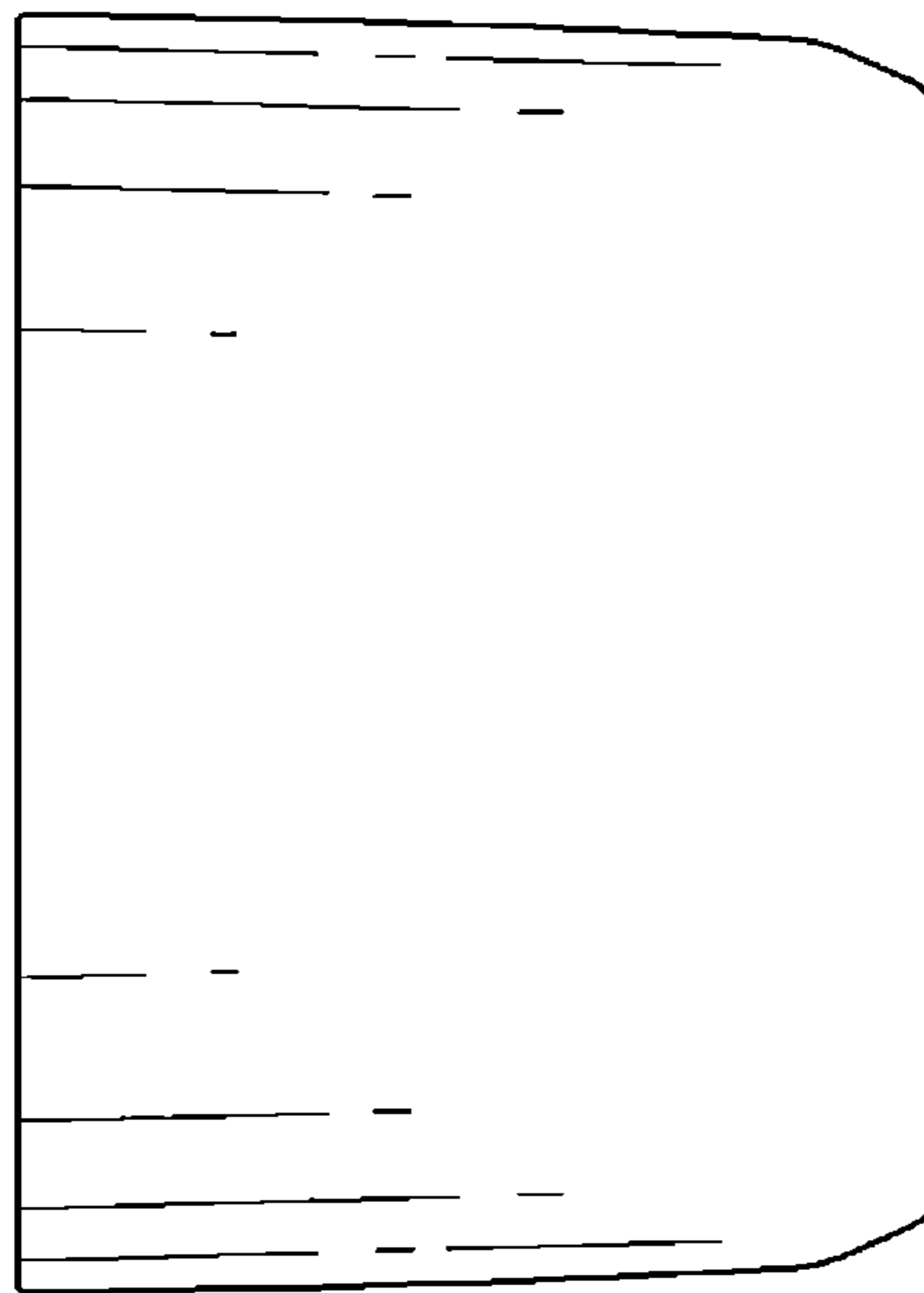


FIG. 7

