



US00D720791S

(12) **United States Design Patent**  
**Nagai**

(10) **Patent No.:** **US D720,791 S**  
(45) **Date of Patent:** **\*\* Jan. 6, 2015**

- (54) **VIDEO CAMERA**
- (71) Applicant: **Sony Corporation**, Tokyo (JP)
- (72) Inventor: **Atsuo Nagai**, Tokyo (JP)
- (73) Assignee: **Sony Corporation**, Tokyo (JP)
- (\*\*) Term: **14 Years**
- (21) Appl. No.: **29/451,379**
- (22) Filed: **Apr. 1, 2013**
- (51) **LOC (10) Cl.** ..... **16-05**
- (52) **U.S. Cl.**  
USPC ..... **D16/219**
- (58) **Field of Classification Search**  
CPC ..... G03B 15/03; G03B 17/02; G03B 17/04;  
G03B 17/56; G03B 19/04; H04N 5/2251;  
H04N 5/2252; H04N 5/2253; H04N 5/2254  
USPC ..... D16/200, 202–206, 208, 218, 219;  
348/373–376; 396/427, 535, 539–541  
See application file for complete search history.

D586,835 S	2/2009	Koza et al.	
7,534,056 B2 *	5/2009	Cross et al.	396/427
D636,007 S *	4/2011	Peng	D16/203
D649,573 S *	11/2011	Al	D16/203
D651,632 S *	1/2012	Kim et al.	D16/202
D668,283 S *	10/2012	Ohno et al.	D16/203
D673,201 S *	12/2012	Nakamura et al.	D16/200
D688,717 S *	8/2013	Tanaka	D16/202
D692,473 S *	10/2013	Kawaguchi et al.	D16/202
D697,119 S *	1/2014	Park et al.	D16/203
2014/0160349 A1 *	6/2014	Huang et al.	348/375

\* cited by examiner

*Primary Examiner* — Adir Aronovich  
*Assistant Examiner* — Ramzi Almatrahi  
(74) *Attorney, Agent, or Firm* — Rader, Fishman & Grauer PLLC

(57) **CLAIM**  
The ornamental design for a video camera, as shown and described.

**DESCRIPTION**

FIG. 1 is a front perspective view of a video camera showing my new design;  
FIG. 2 is a front elevational view thereof;  
FIG. 3 is a rear elevational view thereof;  
FIG. 4 is a left side elevational view thereof;  
FIG. 5 is a right side elevational view thereof;  
FIG. 6 is a top plan view thereof; and,  
FIG. 7 is a bottom plan view thereof.  
The broken lines depict portions of the video camera in which the design is embodied and form no part of the claimed design.

**1 Claim, 5 Drawing Sheets**

(56) **References Cited**  
U.S. PATENT DOCUMENTS

D418,151 S	12/1999	Sumita	
D454,900 S *	3/2002	Tsang et al.	D16/202
D504,905 S *	5/2005	Tullberg et al.	D16/218
D529,062 S *	9/2006	Matsuda	D16/202
D534,196 S *	12/2006	Kim et al.	D16/202
D542,820 S *	5/2007	Depay	D16/202
D564,007 S	3/2008	Ishii	
D564,559 S *	3/2008	Stephens et al.	D16/208
7,471,334 B1 *	12/2008	Stenger	348/373

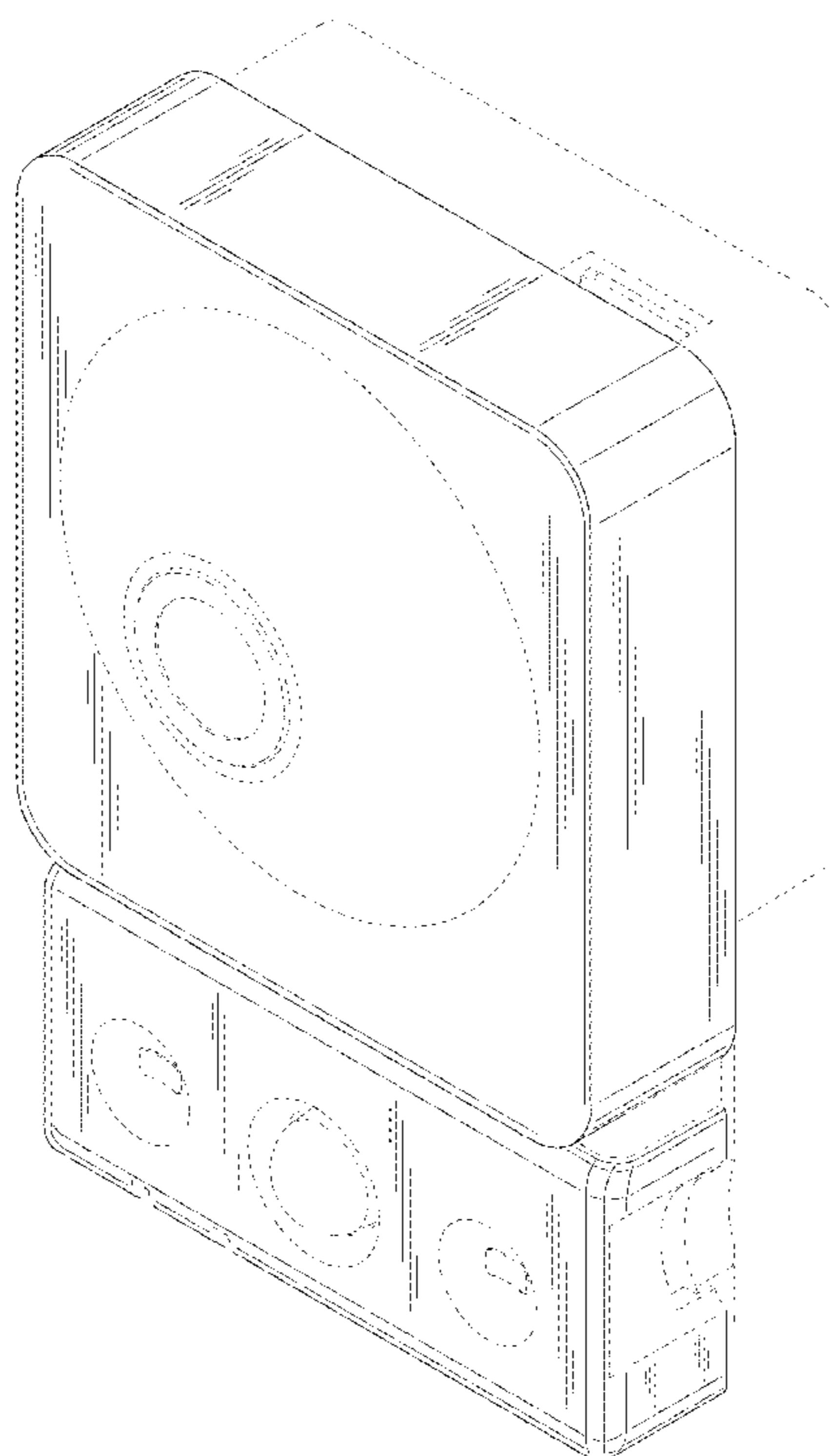


FIG.1

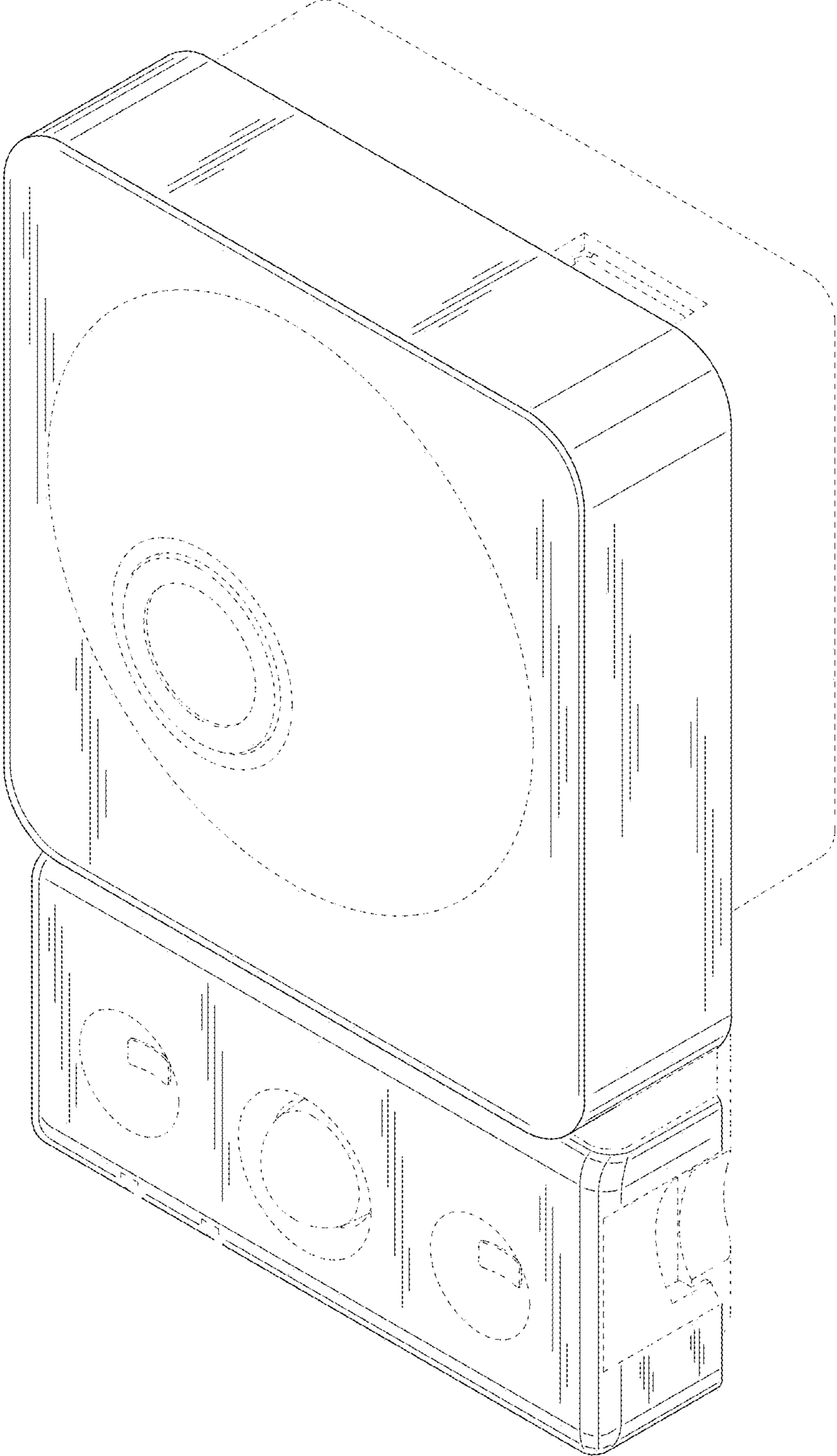


FIG.2

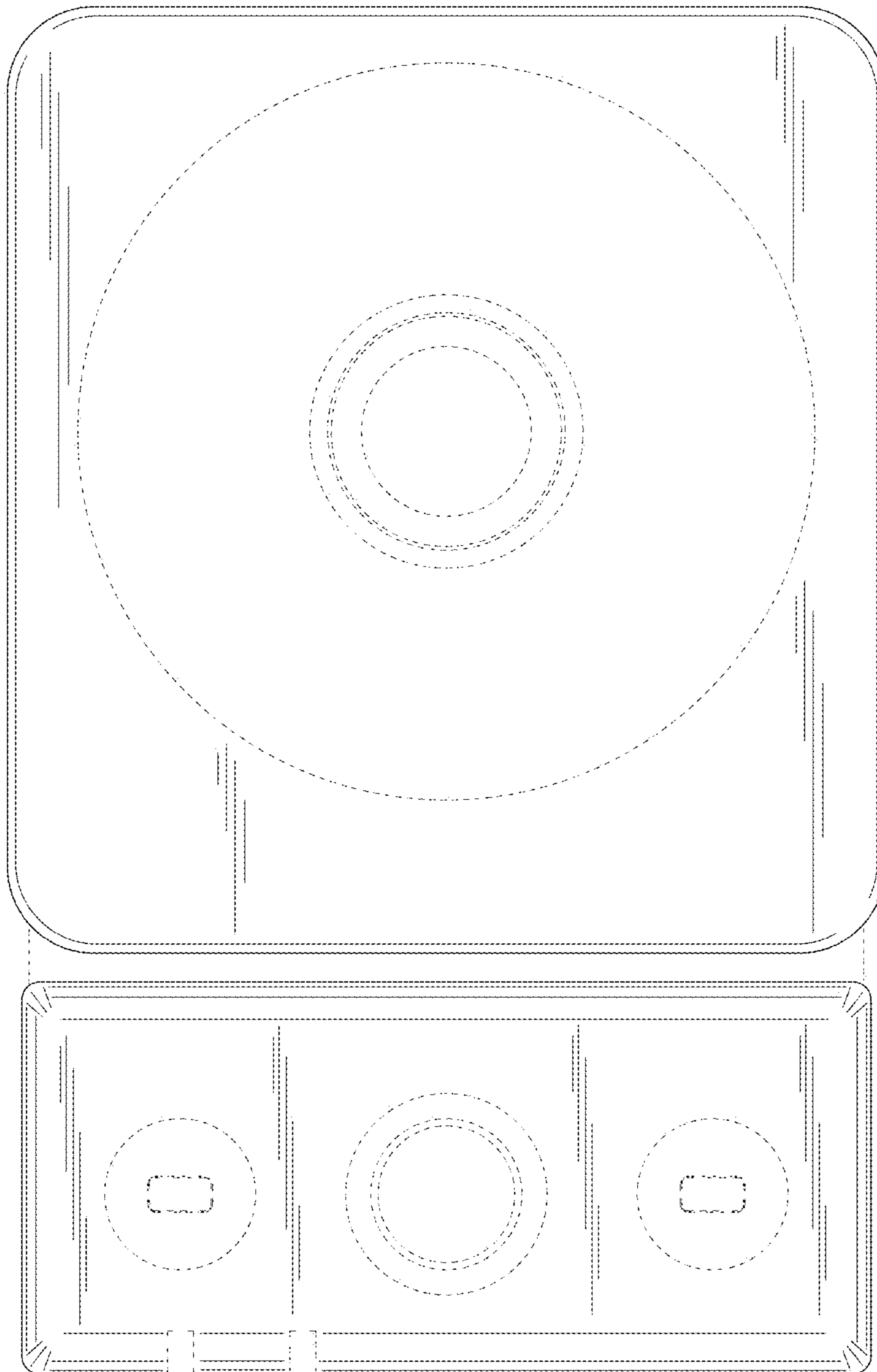


FIG.3

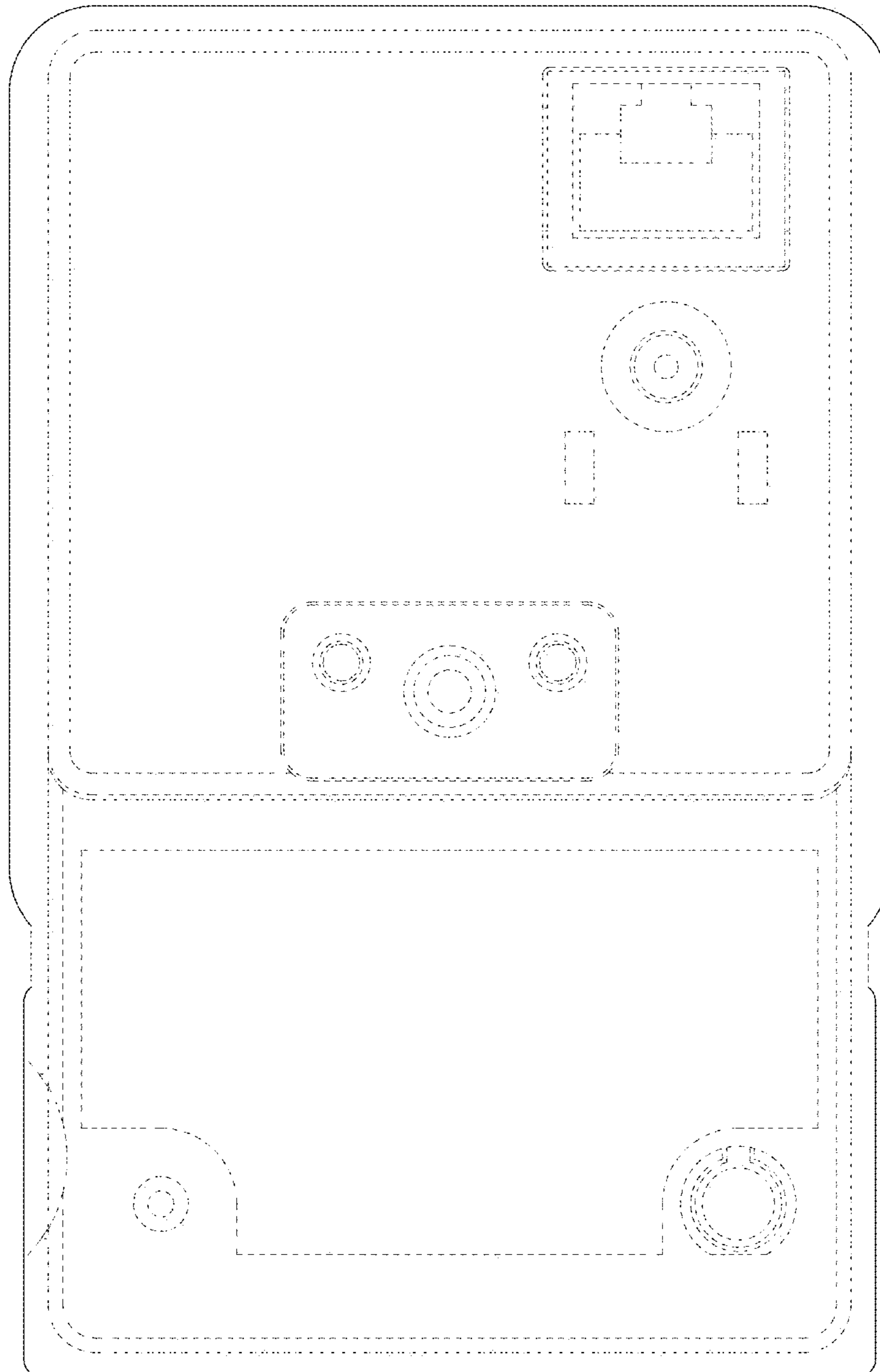


FIG.4

FIG.5

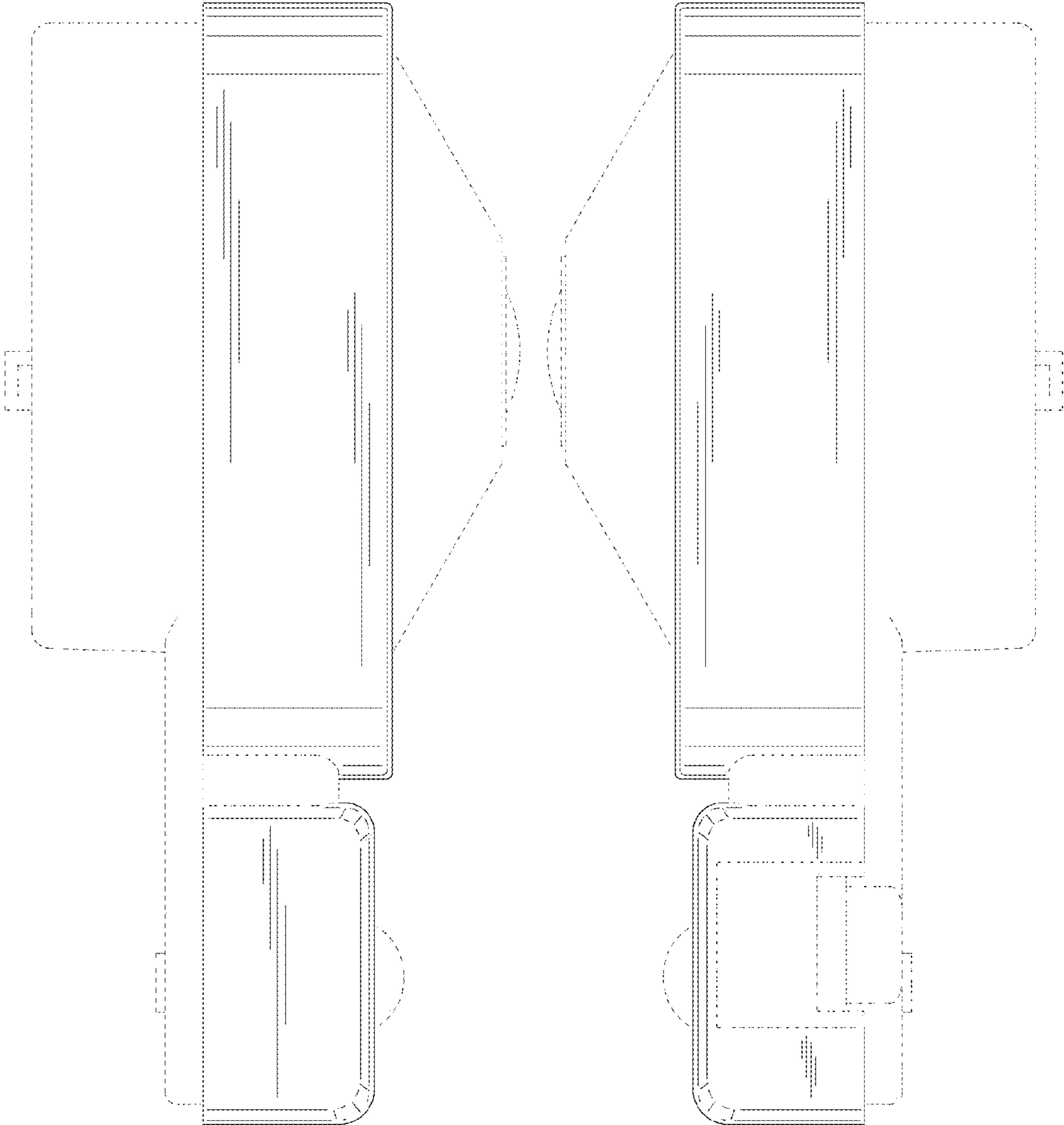


FIG.6

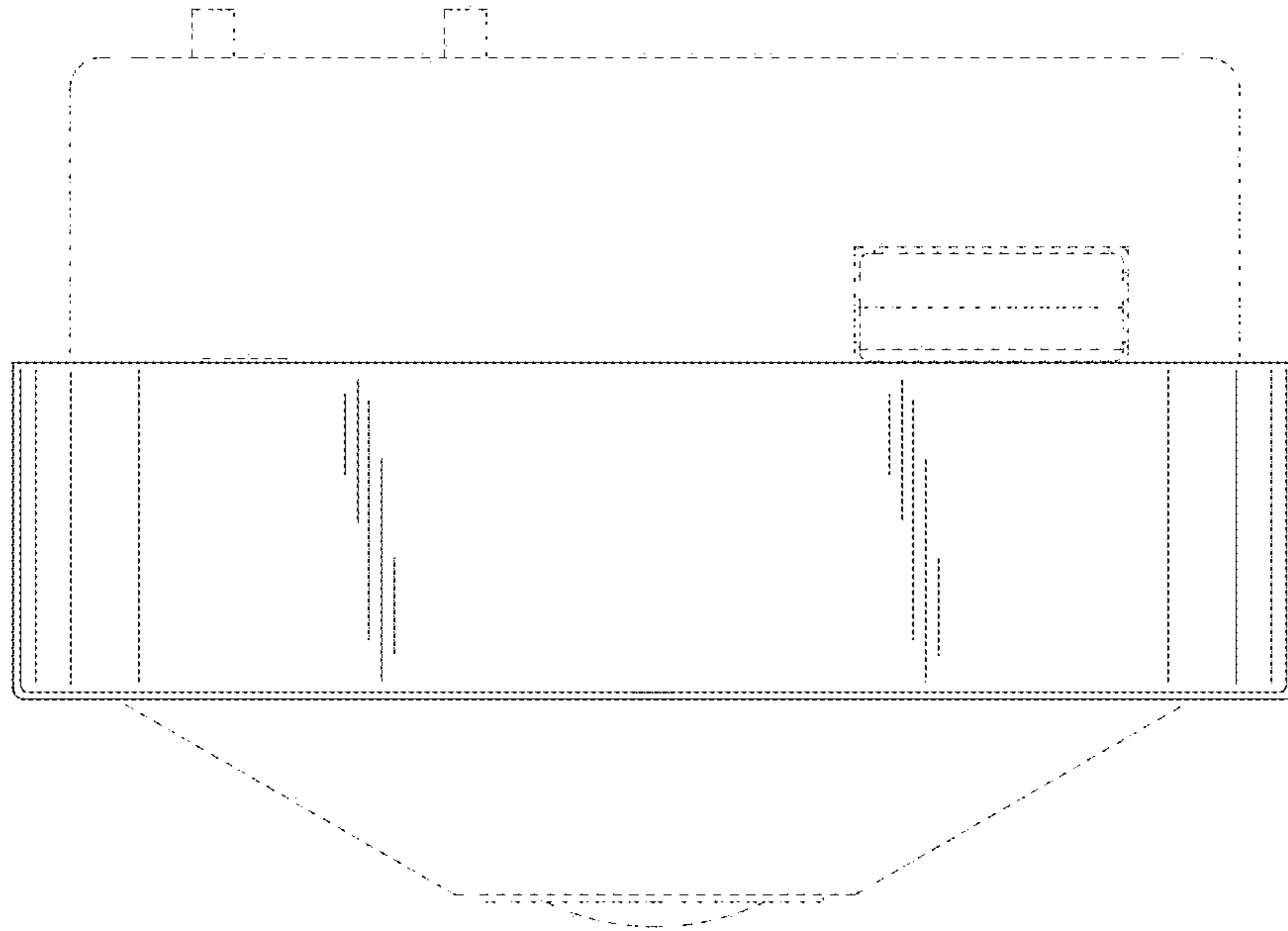


FIG.7

