



US00D720789S

(12) **United States Design Patent**
Minamide

(10) **Patent No.:** **US D720,789 S**
(45) **Date of Patent:** **** Jan. 6, 2015**

(54) **MONITORING CAMERA**

(71) Applicant: **Orient Brains Co., Ltd.**, Suita (JP)

(72) Inventor: **Daisuke Minamide**, Toyonaka (JP)

(73) Assignee: **Orient Brains Co., Ltd.**, Osaka (JP)

(**) Term: **14 Years**

(21) Appl. No.: **29/448,847**

(22) Filed: **Mar. 14, 2013**

(30) **Foreign Application Priority Data**

Sep. 26, 2012 (JP) 2012-023355

(51) **LOC (10) Cl.** **16-01**

(52) **U.S. Cl.**
USPC **D16/203**

(58) **Field of Classification Search**

CPC G03B 17/02; G03B 19/04; G03B 17/56;
G03B 17/04; G03B 15/03; H04N 5/2251;
H04N 5/2252; H04N 5/2253; H04N 5/2254;
H04N 7/181; H04N 7/183; H04N 7/18;
G08B 13/1963; G08B 13/19619; G08B
13/19632; F16M 11/04; F16M 13/00
USPC D16/200, 202-206, 218, 219, 242;
348/143, 148, 151, 373-376; 396/419,
396/427, 535, 539-541

See application file for complete search history.

(56) **References Cited**

U.S. PATENT DOCUMENTS

D339,149 S * 9/1993 Nakamura et al. D16/202
D360,646 S * 7/1995 Nomura D16/202

D363,299 S * 10/1995 Nomura D16/202
D386,195 S * 11/1997 Oates D16/202
D489,386 S * 5/2004 Lewellen et al. D16/203
D528,143 S * 9/2006 Walter et al. D16/203
D544,009 S * 6/2007 Alm et al. D16/203
D550,265 S * 9/2007 Goto D16/202
D556,805 S * 12/2007 Kuroda D16/203
D603,440 S * 11/2009 Alm et al. D16/203
D643,452 S * 8/2011 Alm et al. D16/200
2012/0044350 A1 * 2/2012 Verfueth 348/143

* cited by examiner

Primary Examiner — Adir Aronovich

Assistant Examiner — Ramzi Almatrahi

(74) *Attorney, Agent, or Firm* — Buchanan Ingersoll & Rooney PC.

(57) **CLAIM**

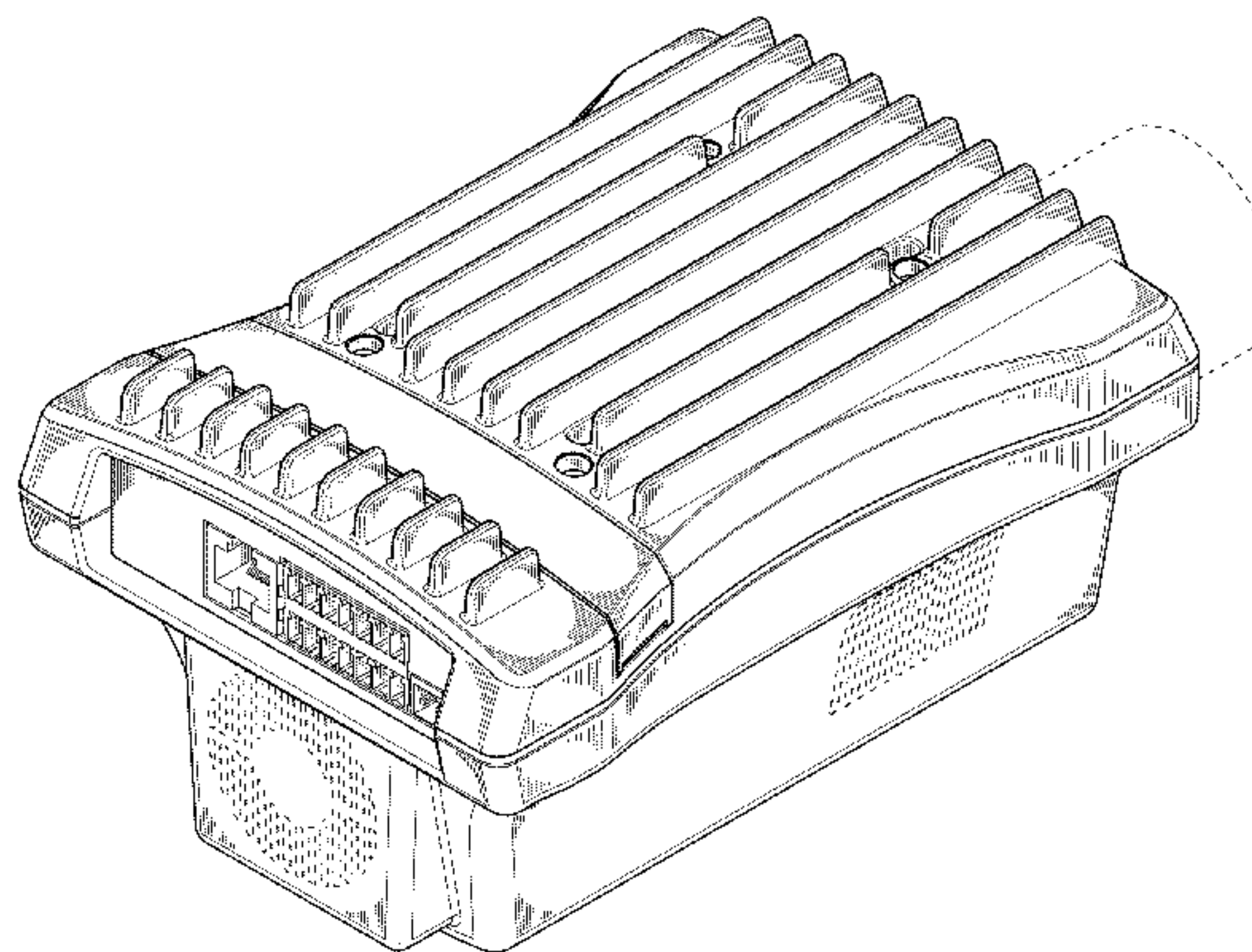
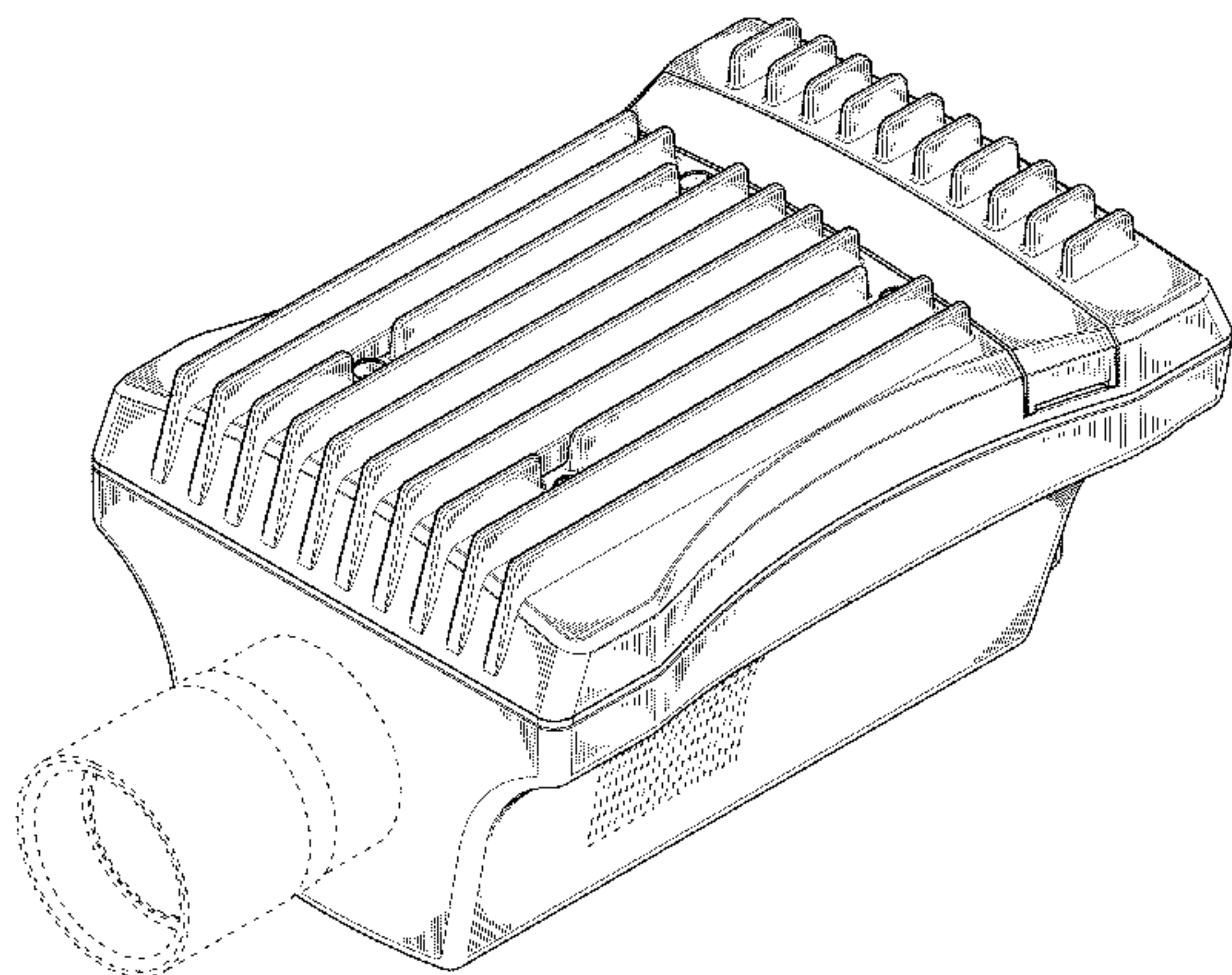
The ornamental design for a monitoring camera, as shown and described.

DESCRIPTION

FIG. 1 is a top, front and left side perspective view of a monitoring camera showing my new design;
FIG. 2 is a top, rear and right side perspective view thereof;
FIG. 3 is a front elevational view thereof, the undisclosed rear elevational view being a mirror image thereof;
FIG. 4 is a left side view thereof;
FIG. 5 is a right side view thereof;
FIG. 6 is a top plan view thereof; and,
FIG. 7 is a bottom plan view thereof.

The broken lines depict portions of the monitoring camera in which the design is embodied and form no part of the claimed design.

1 Claim, 6 Drawing Sheets



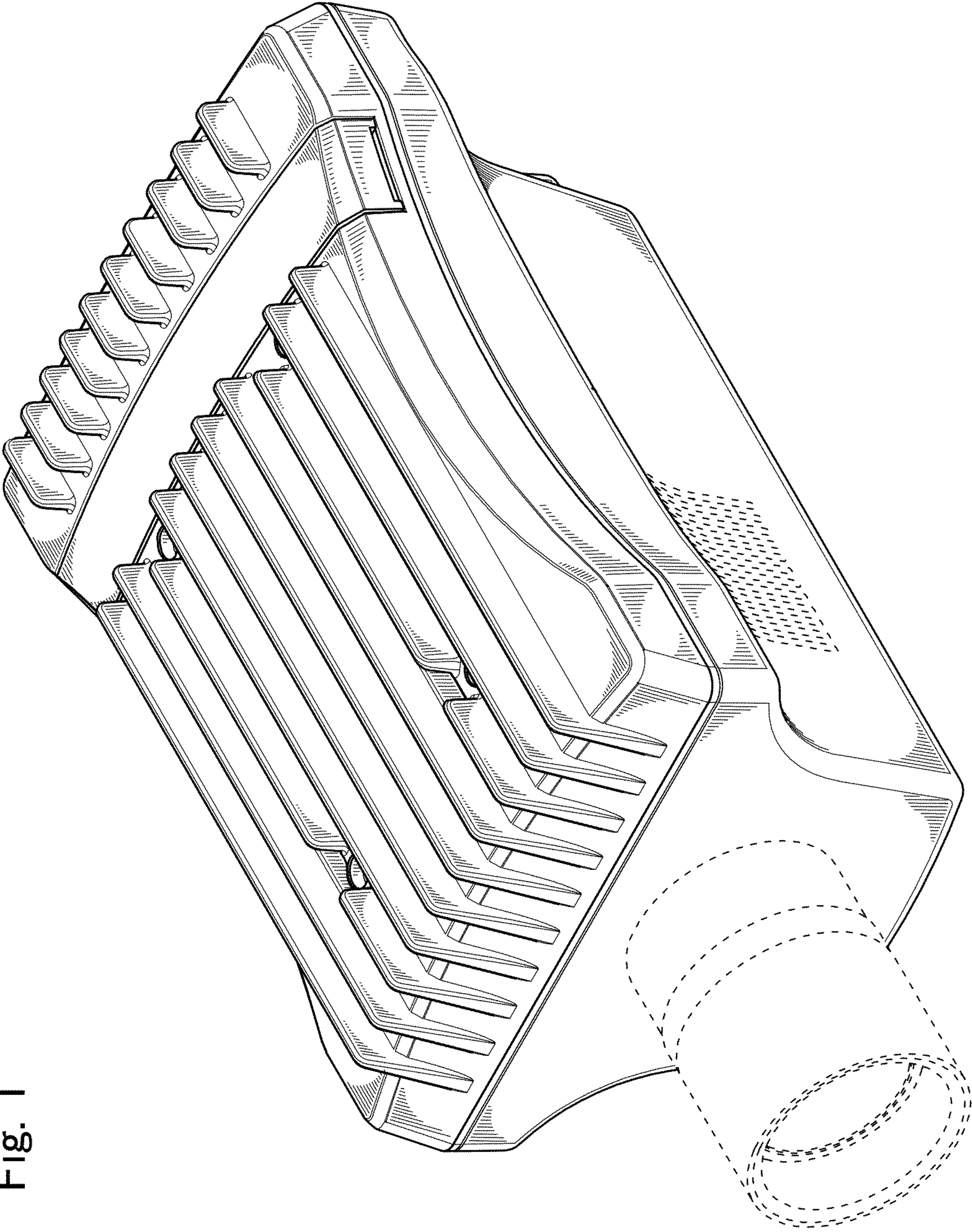


Fig. 1

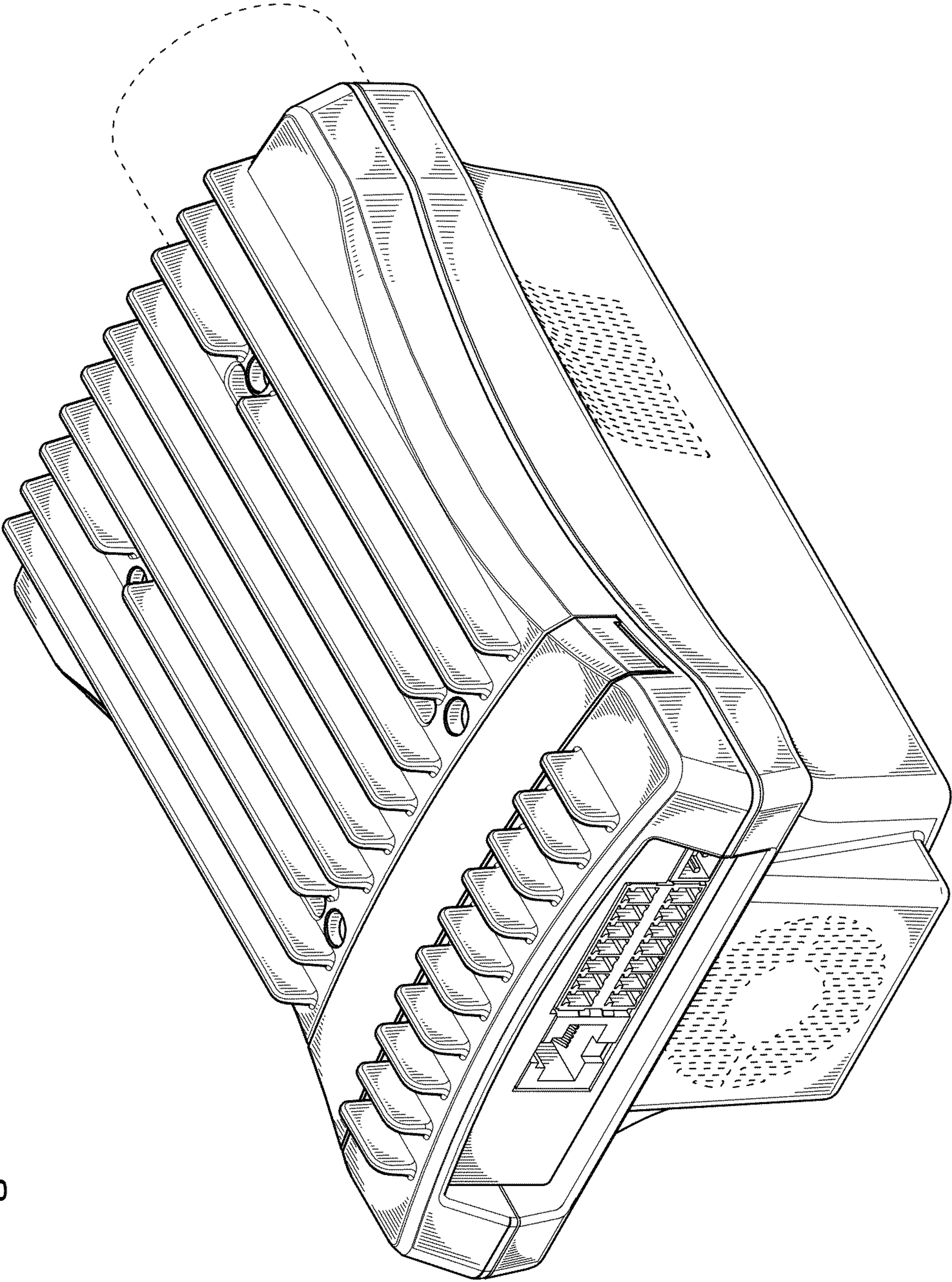


Fig. 2

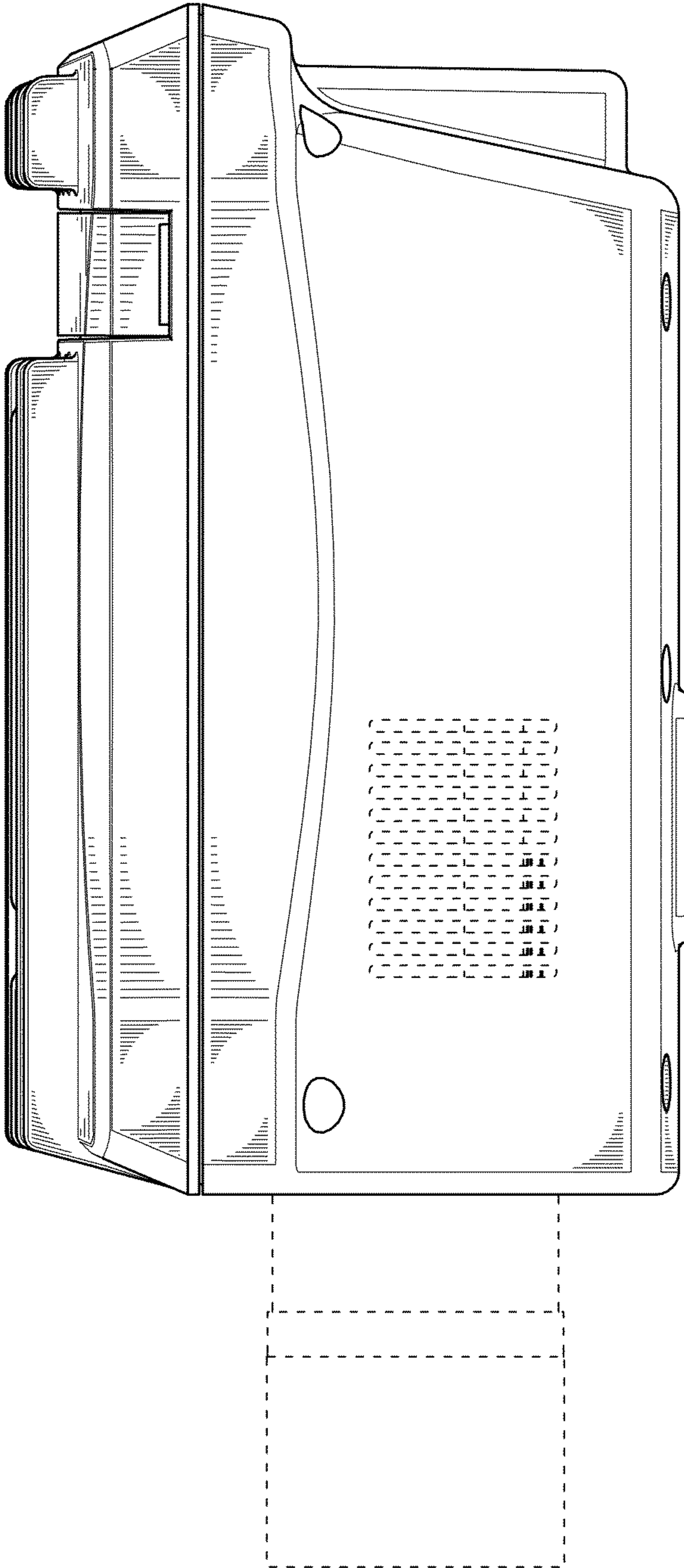


Fig. 3

Fig. 5

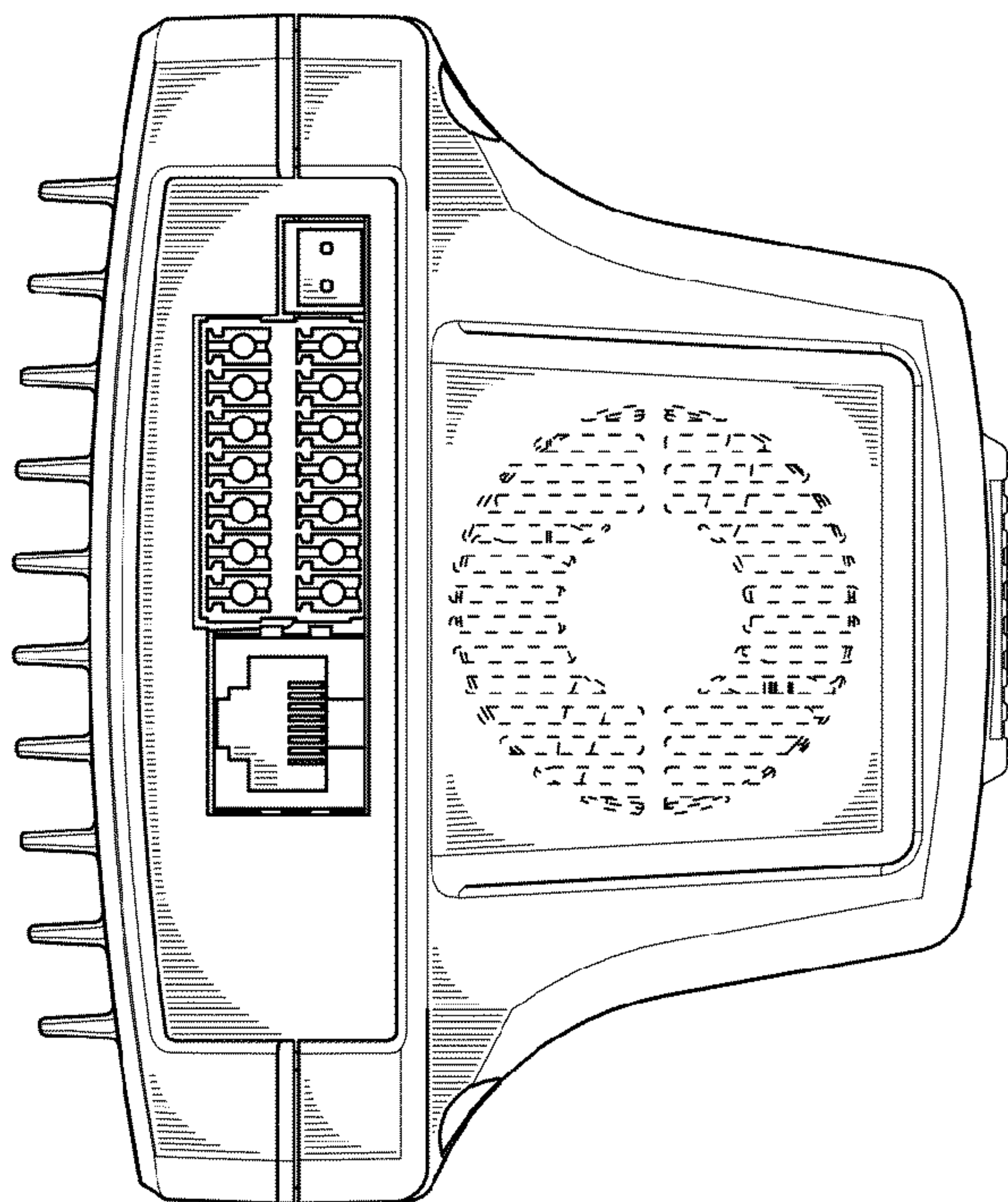
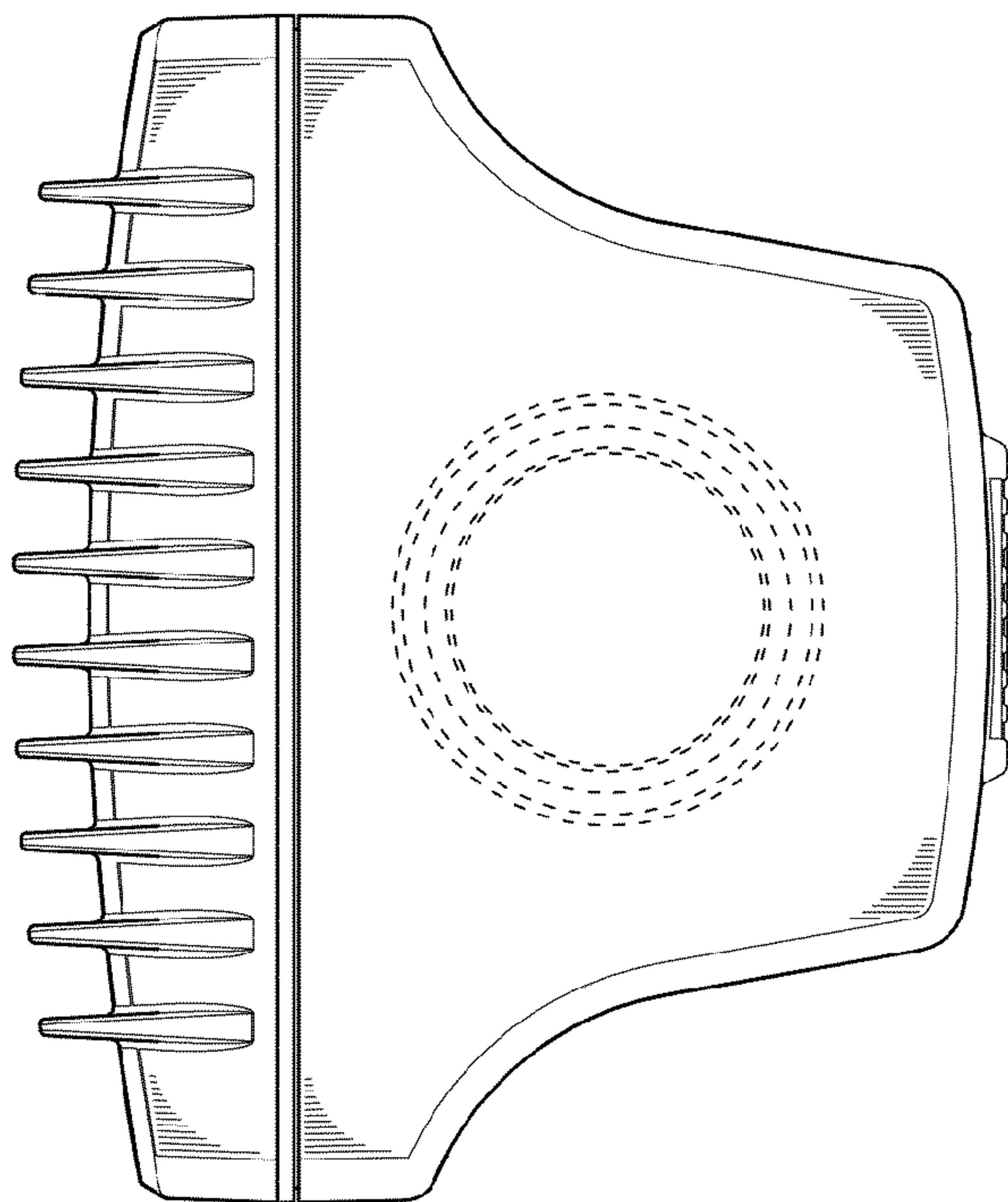


Fig. 4



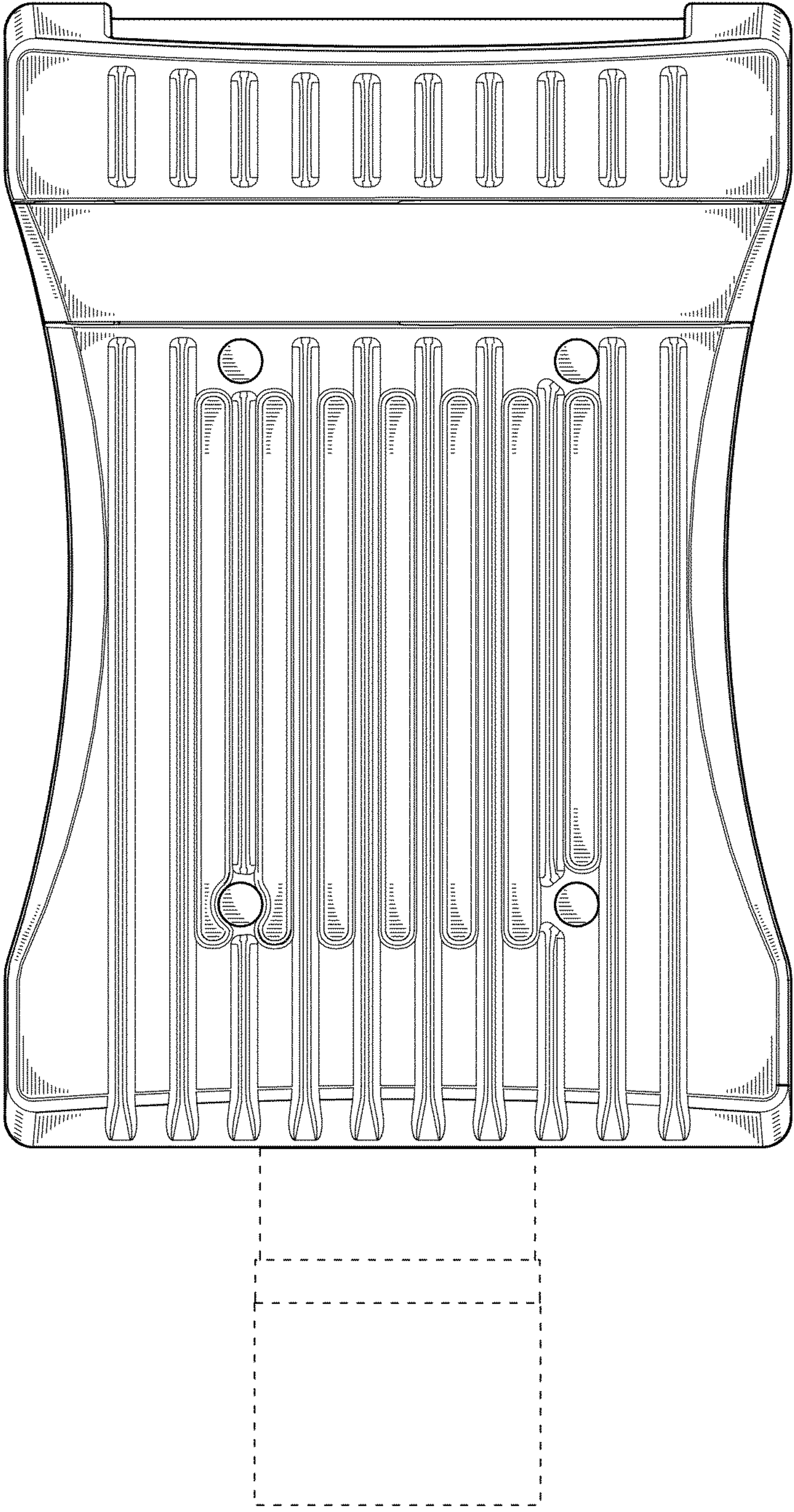


Fig. 6

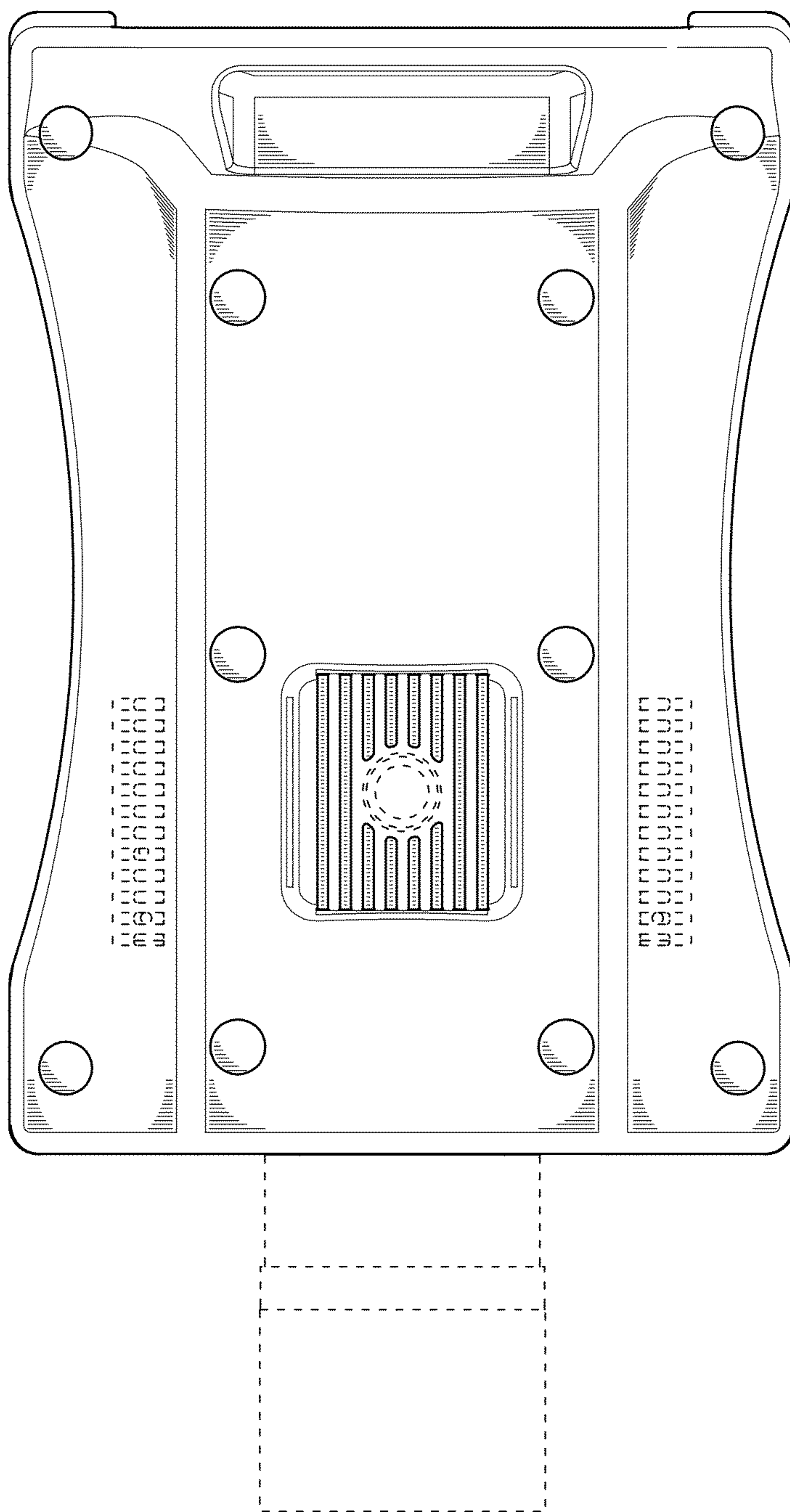


Fig. 7