



US00D720788S

(12) **United States Design Patent**
Guastadini et al.

(10) **Patent No.:** **US D720,788 S**
(45) **Date of Patent:** **** Jan. 6, 2015**

(54) **DIGITAL CAMERA**
(71) Applicants: **Fabrizio Guastadini**, Bologna (IT);
Marco Bassani, Lugo (IT)
(72) Inventors: **Fabrizio Guastadini**, Bologna (IT);
Marco Bassani, Lugo (IT)
(73) Assignee: **Datalogic IP Tech S.r.l.** (IT)
(**) Term: **14 Years**

D462,371 S * 9/2002 Hamamura D16/202
D470,879 S * 2/2003 Morishita et al. D16/217
D491,593 S * 6/2004 Haga D16/202
D524,346 S * 7/2006 Haga D16/202
D525,986 S * 8/2006 Kim D14/203.3
D528,126 S * 9/2006 Kim D14/203.3
D557,303 S * 12/2007 Inaba D16/202
D559,291 S * 1/2008 Hayashi et al. D16/202
D561,806 S * 2/2008 Funakoshi et al. D16/217
D564,560 S * 3/2008 Funakoshi D16/217
D655,328 S * 3/2012 Anneback et al. D16/219

* cited by examiner

(21) Appl. No.: **29/475,690**
(22) Filed: **Dec. 5, 2013**

Primary Examiner — Philip S. Hyder
Assistant Examiner — Darlington Ly
(74) *Attorney, Agent, or Firm* — Laubscher & Laubscher,
P.C.

Related U.S. Application Data

(62) Division of application No. 29/422,366, filed on May 18, 2012, now Pat. No. Des. 696,707.

(57) **CLAIM**

The ornamental design for a digital camera, as shown and described.

(30) **Foreign Application Priority Data**

Nov. 21, 2011 (EM) 001950486-0001
Nov. 21, 2011 (EM) 001950486-0002
Nov. 21, 2011 (EM) 001950486-0003

DESCRIPTION

(51) **LOC (10) Cl.** **16-01**
(52) **U.S. Cl.**
USPC **D16/202**
(58) **Field of Classification Search**
USPC D16/200–206, 208, 217, 218;
348/373–376; 396/176, 177, 354–359,
396/535, 540, 541
See application file for complete search history.

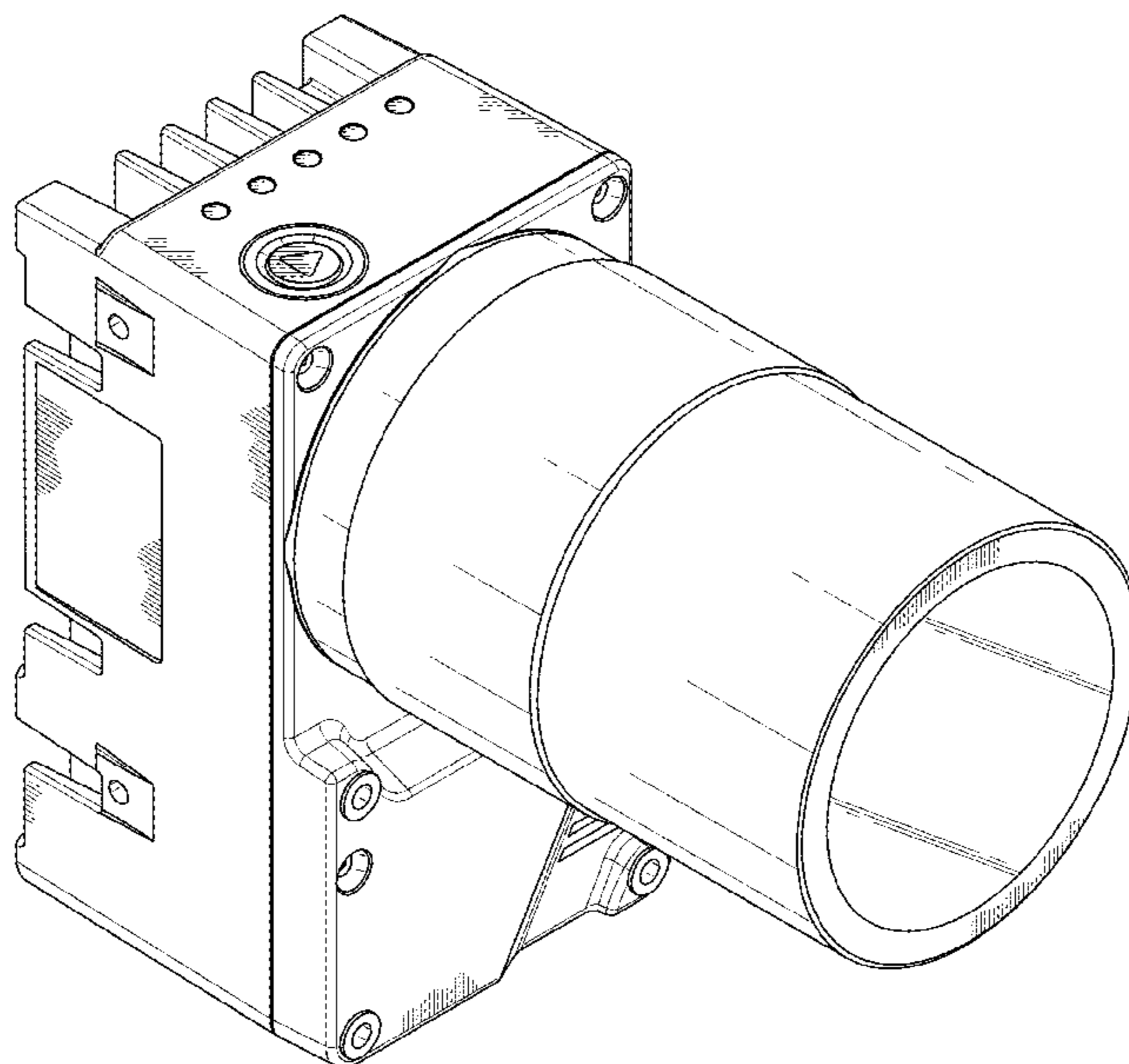
FIG. 1 is a front perspective view of an embodiment of the invention illustrating our design;
FIG. 2 is a rear perspective view thereof;
FIG. 3 is a front elevation view thereof;
FIG. 4 is a rear elevation view thereof;
FIG. 5 is a left side elevation view thereof;
FIG. 6 is a right side elevation view thereof;
FIG. 7 is a top elevation view thereof; and,
FIG. 8 is a bottom elevation view thereof.
The broken lines shown in the drawings illustrate portions of the digital camera that form no part of the claimed design.
The boundary (dot-dash) lines shown in the drawings illustrate areas of the digital camera that form no part of the claimed design.

(56) **References Cited**

U.S. PATENT DOCUMENTS

D439,922 S * 4/2001 Kumakura D16/217
D449,059 S * 10/2001 Shimobayashi D16/202

1 Claim, 7 Drawing Sheets



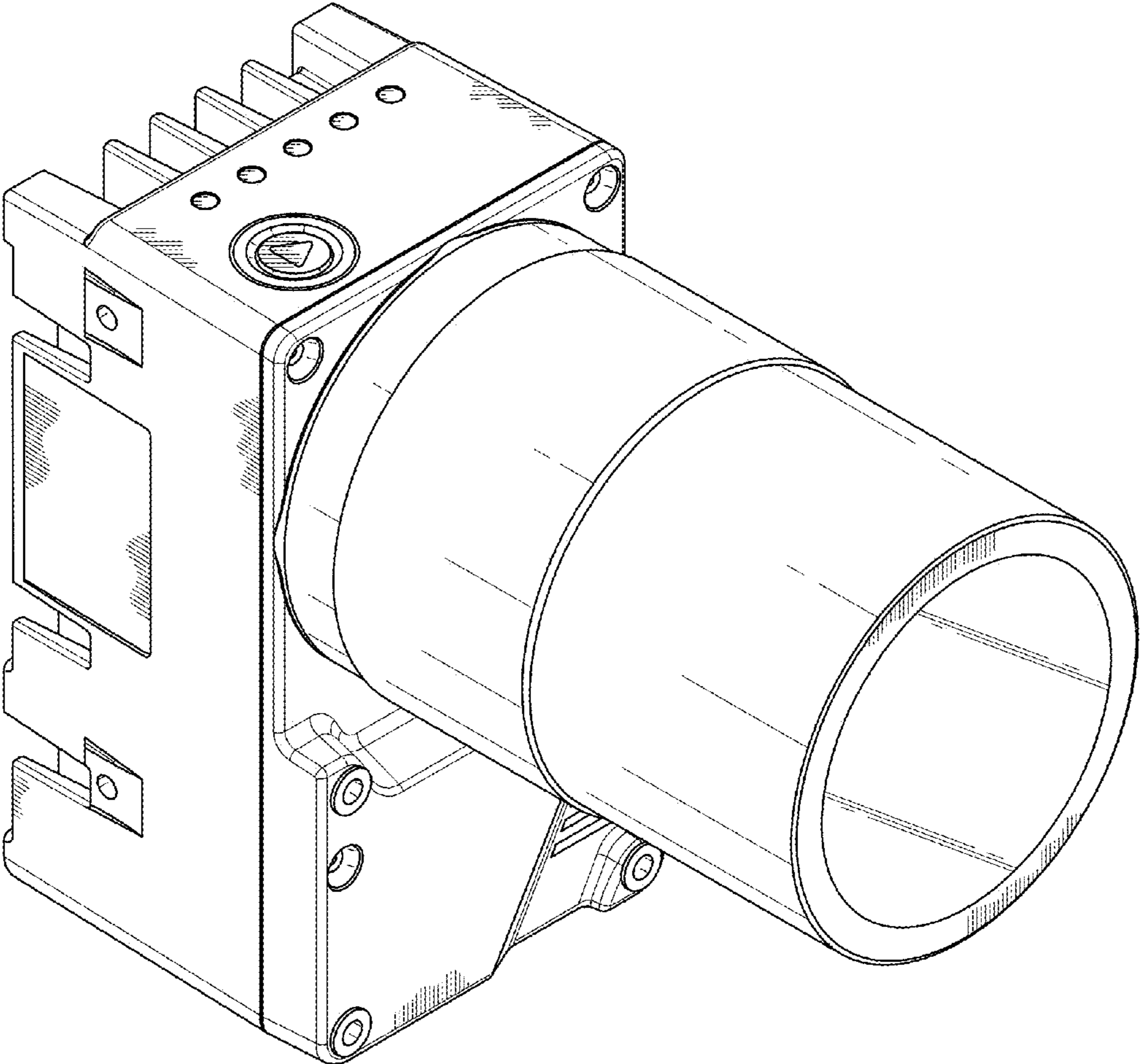


FIG. 1

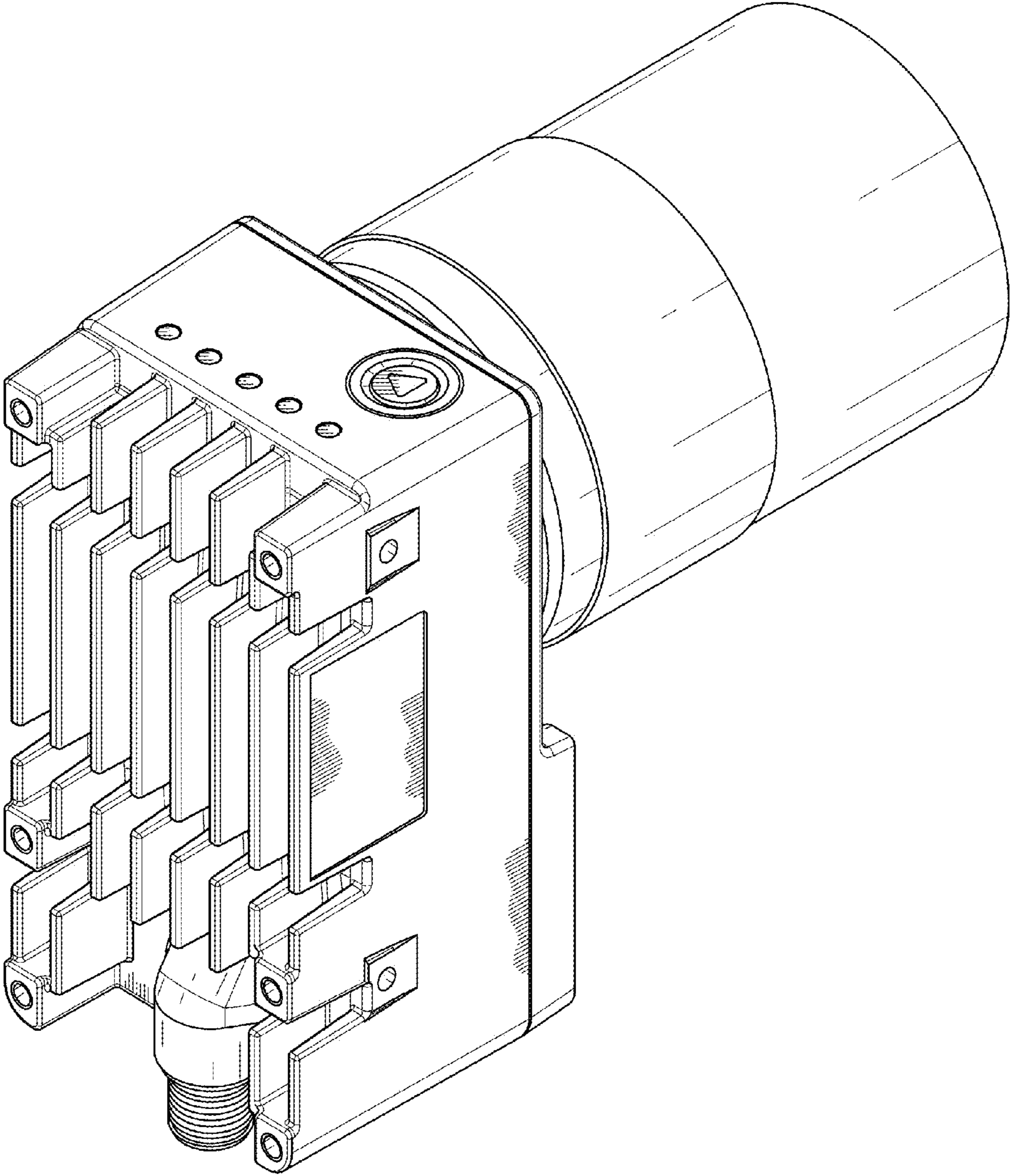


FIG. 2

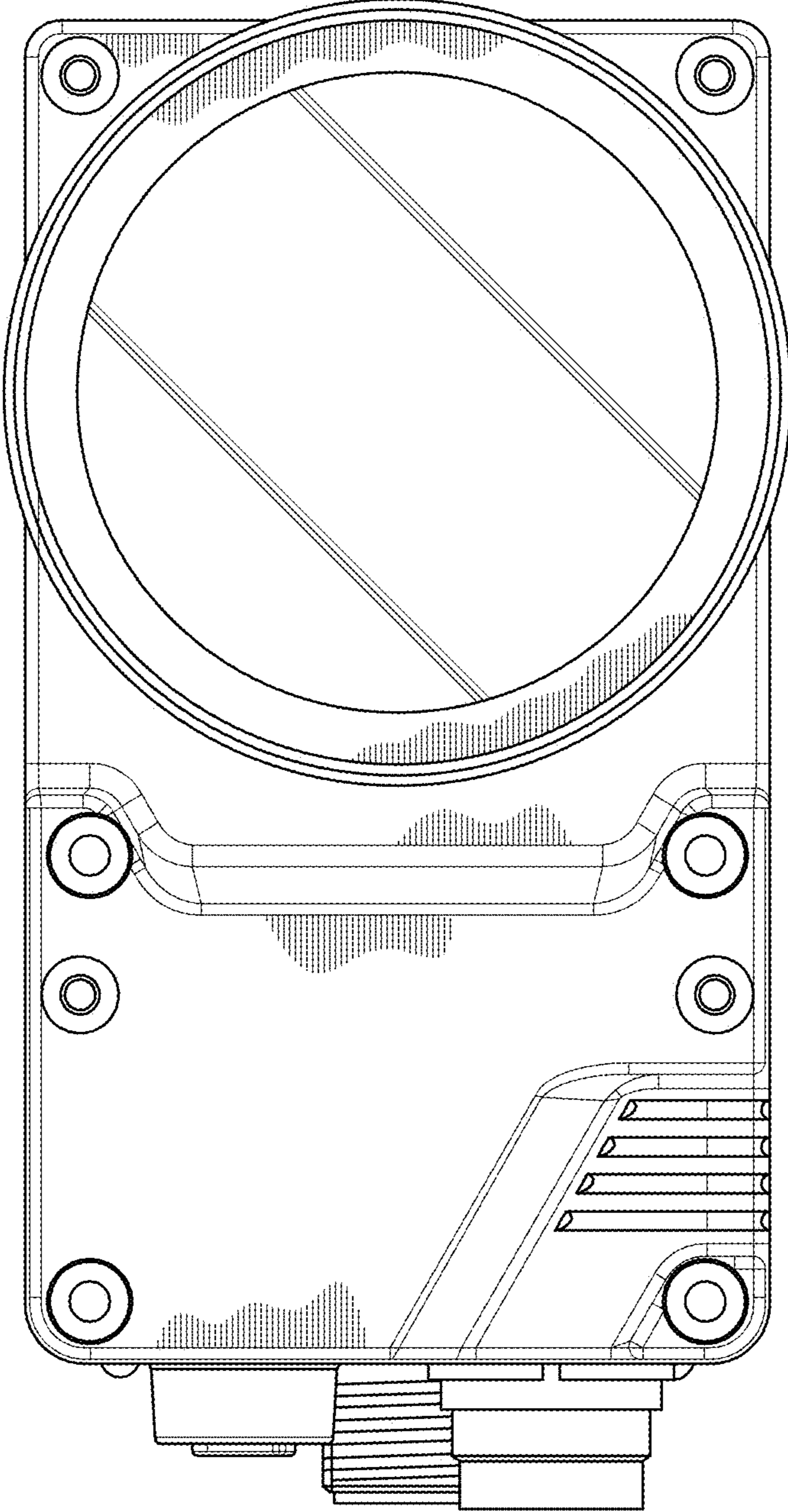


FIG. 3

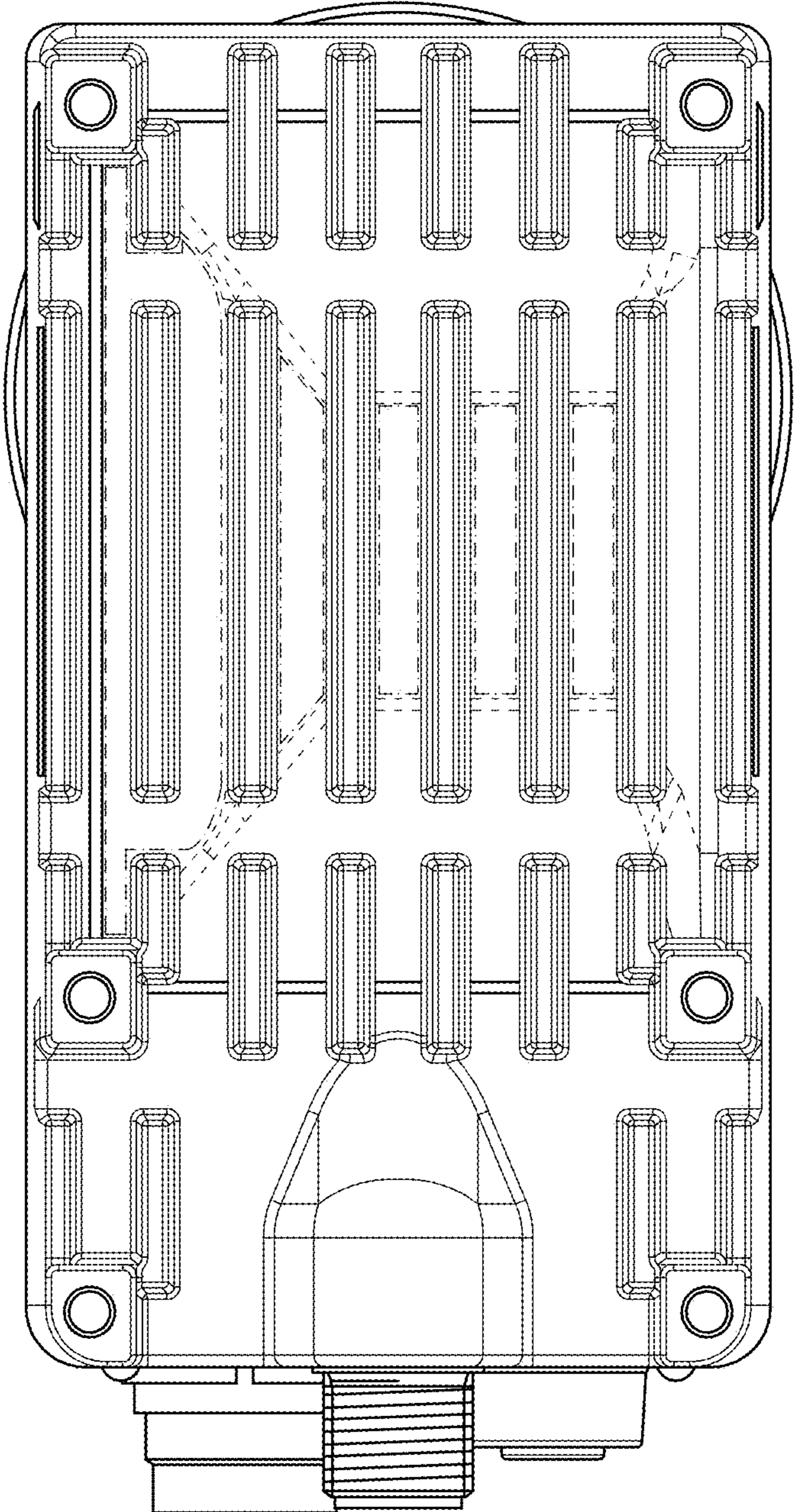


FIG. 4

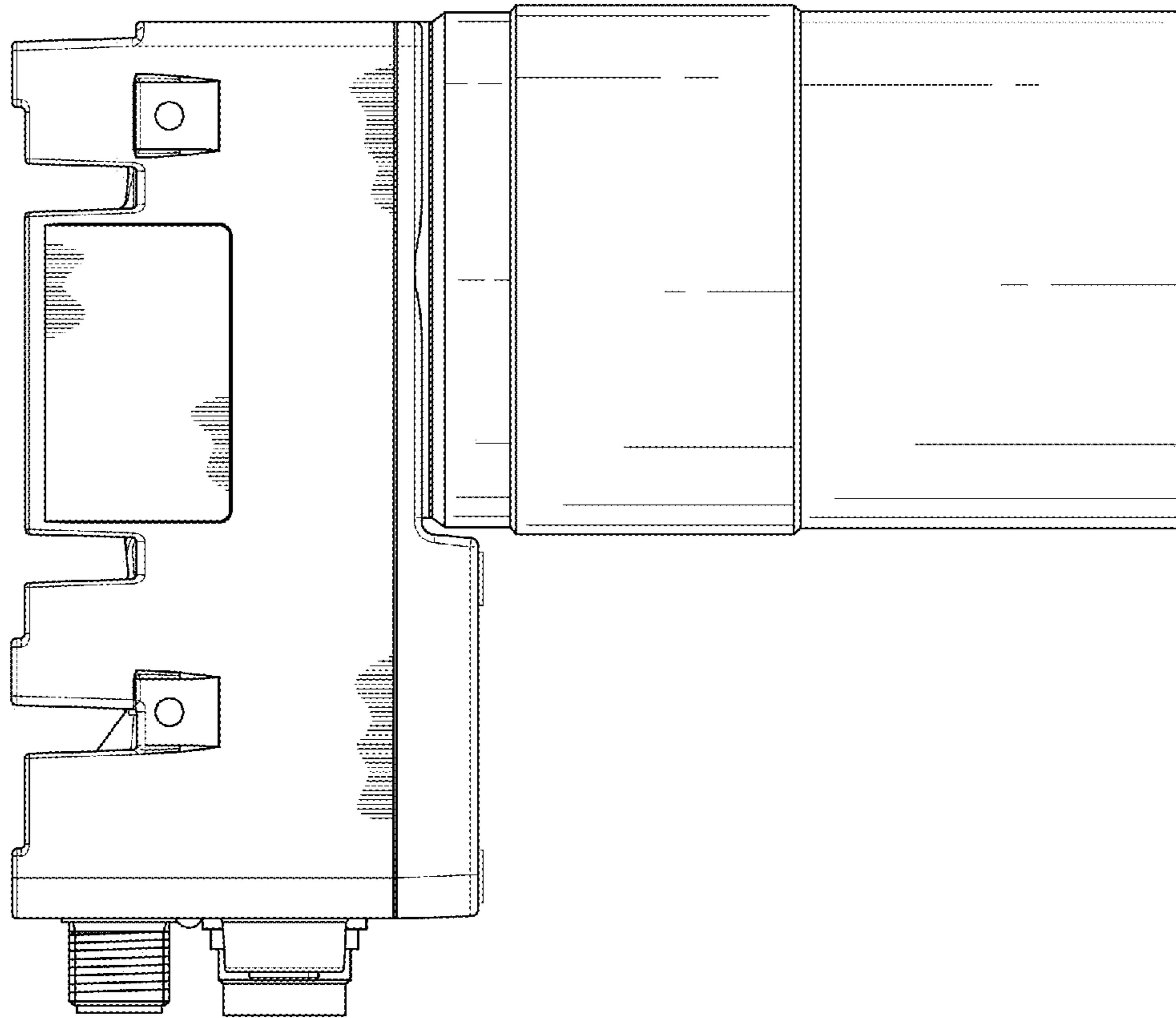


FIG. 5

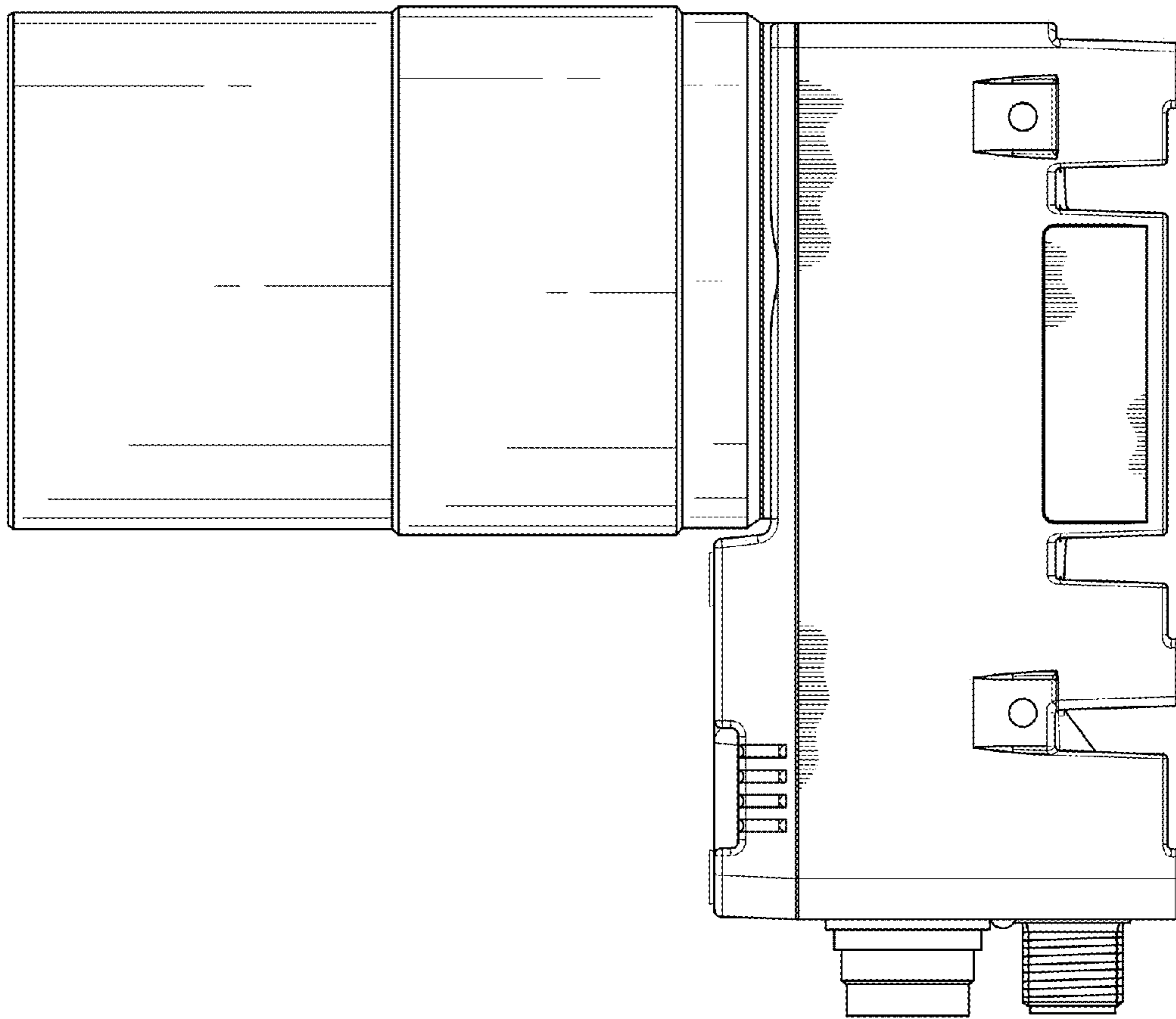


FIG. 6

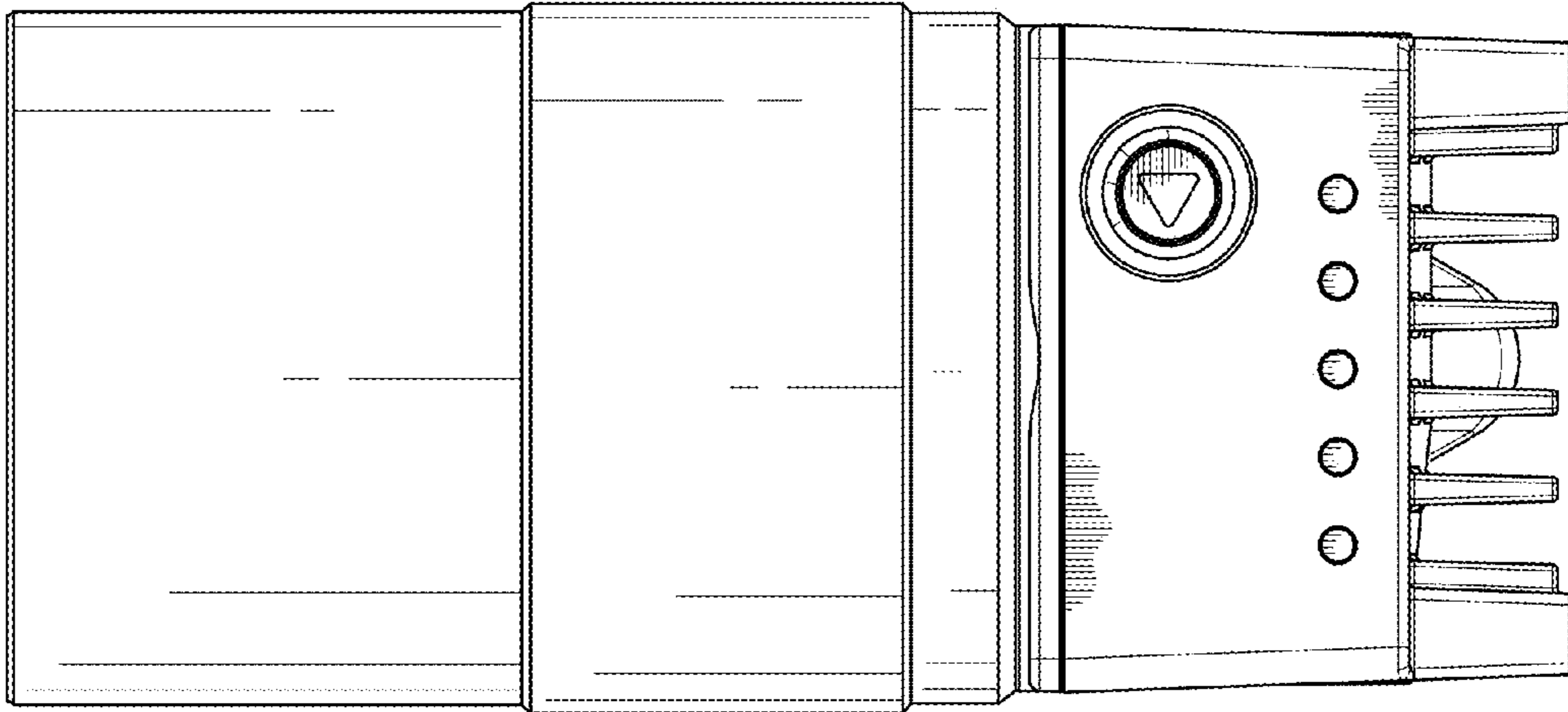


FIG. 7

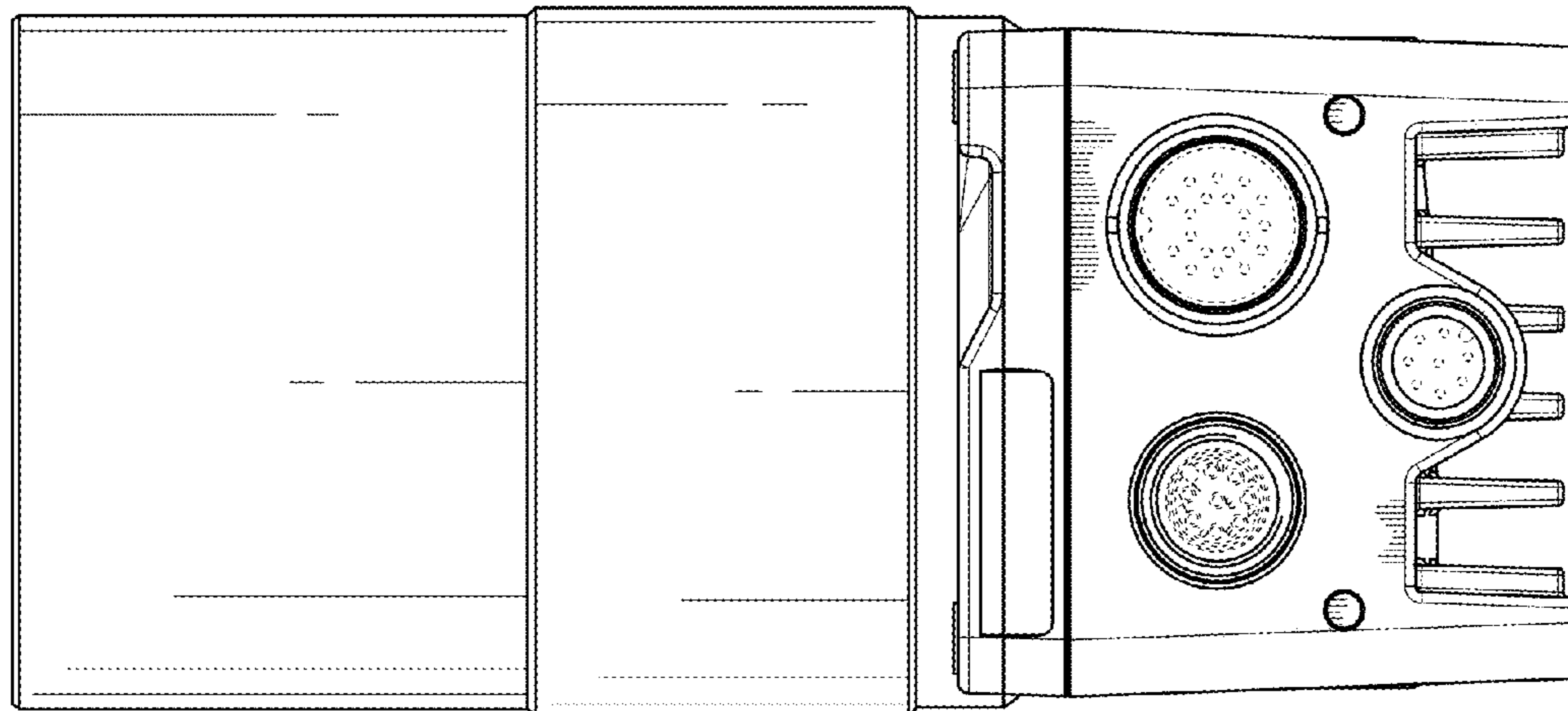


FIG. 8