



US00D720787S

(12) **United States Design Patent**
Tainaka

(10) **Patent No.:** **US D720,787 S**

(45) **Date of Patent:** **** Jan. 6, 2015**

(54) **DIGITAL CAMERA BODY OF LENS REPLACING TYPE**

(71) Applicant: **Olympus Imaging Corporation,**
Shibuya-ku, Tokyo (JP)

(72) Inventor: **Daisuke Tainaka,** Hachioji (JP)

(73) Assignee: **Olympus Imaging Corp.,** Tokyo (JP)

(**) Term: **14 Years**

(21) Appl. No.: **29/471,098**

(22) Filed: **Oct. 28, 2013**

(30) **Foreign Application Priority Data**

Aug. 9, 2013 (JP) 2013-018438

(51) **LOC (10) Cl.** **16-01**

(52) **U.S. Cl.**
USPC **D16/202; D16/217**

(58) **Field of Classification Search**

CPC G03B 15/03; G03B 17/02; G03B 17/04;
G03B 17/56; G03B 19/04; H04N 5/2251;
H04N 5/2252; H04N 5/2253; H04N 5/2254;
H04N 2101/00

USPC D16/200, 202-206, 208, 217, 218, 219;
348/373-376; 396/176, 535, 539-541

See application file for complete search history.

(56) **References Cited**

U.S. PATENT DOCUMENTS

5,852,752 A * 12/1998 Nakanishi et al. 396/176
D442,203 S * 5/2001 Suzuki et al. D16/202

D542,321 S * 5/2007 Takahashi D16/217
D561,806 S * 2/2008 Funakoshi et al. D16/217
D564,560 S * 3/2008 Funakoshi D16/217
D564,561 S * 3/2008 Takahashi D16/217
D605,679 S * 12/2009 Hayashi D16/206
D681,090 S * 4/2013 Tainaka D16/200
D701,550 S * 3/2014 Umehara D16/202
2014/0160346 A1 * 6/2014 Komada et al. 348/373

* cited by examiner

Primary Examiner — Adir Aronovich

Assistant Examiner — Ramzi Almatrahi

(74) *Attorney, Agent, or Firm* — Holtz, Holtz, Goodman & Chick PC

(57) **CLAIM**

The ornamental design for a digital camera body of lens replacing type, as shown and described.

DESCRIPTION

FIG. 1 is a front, top and right side perspective view of a digital camera body of lens replacing type showing my new design;

FIG. 2 is a front elevational view thereof;

FIG. 3 is a rear elevational view thereof;

FIG. 4 is a top plan view thereof;

FIG. 5 is a bottom plan view thereof;

FIG. 6 is a right side elevational view thereof; and,

FIG. 7 is a left side elevational view thereof.

1 Claim, 5 Drawing Sheets

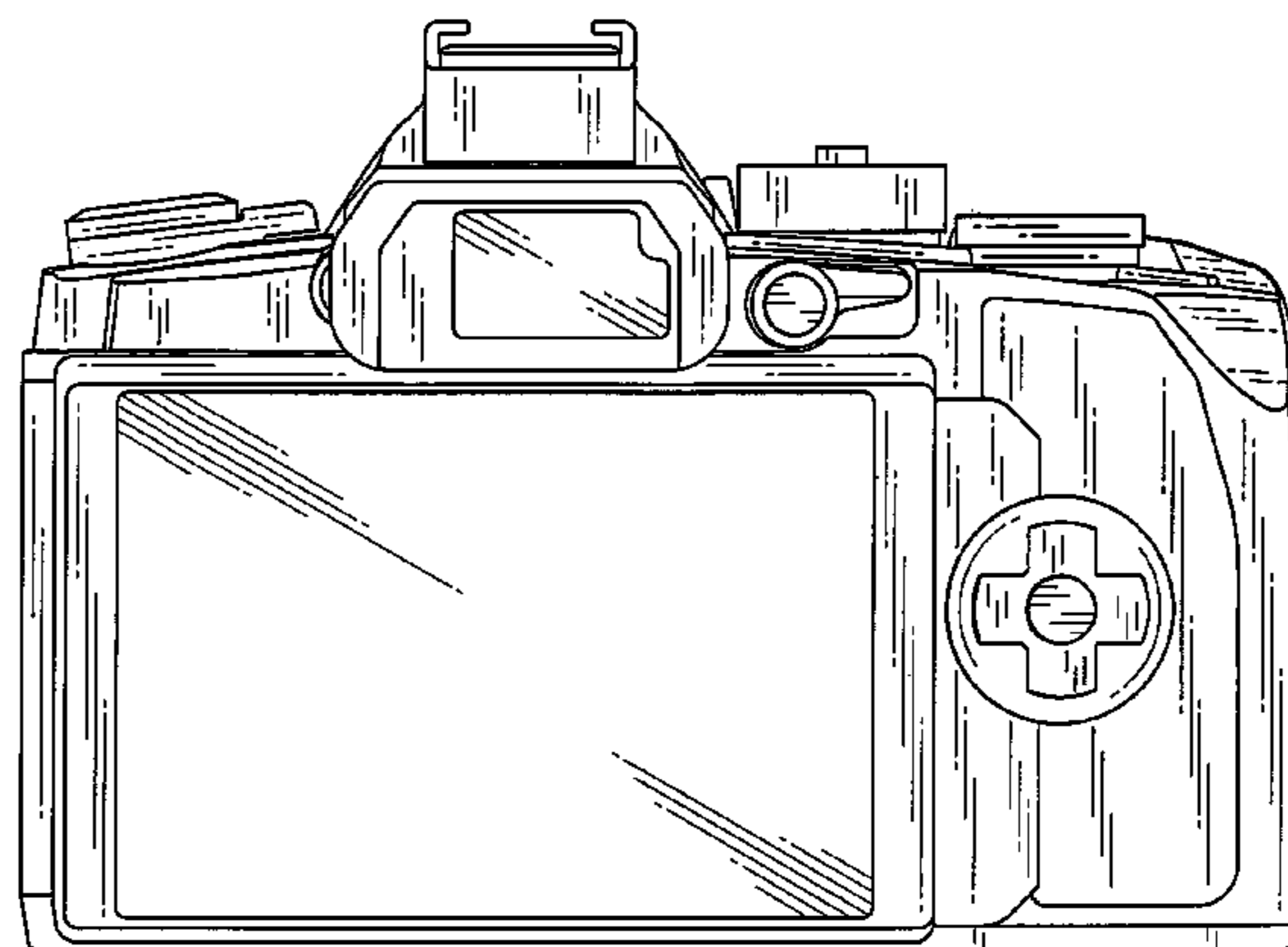
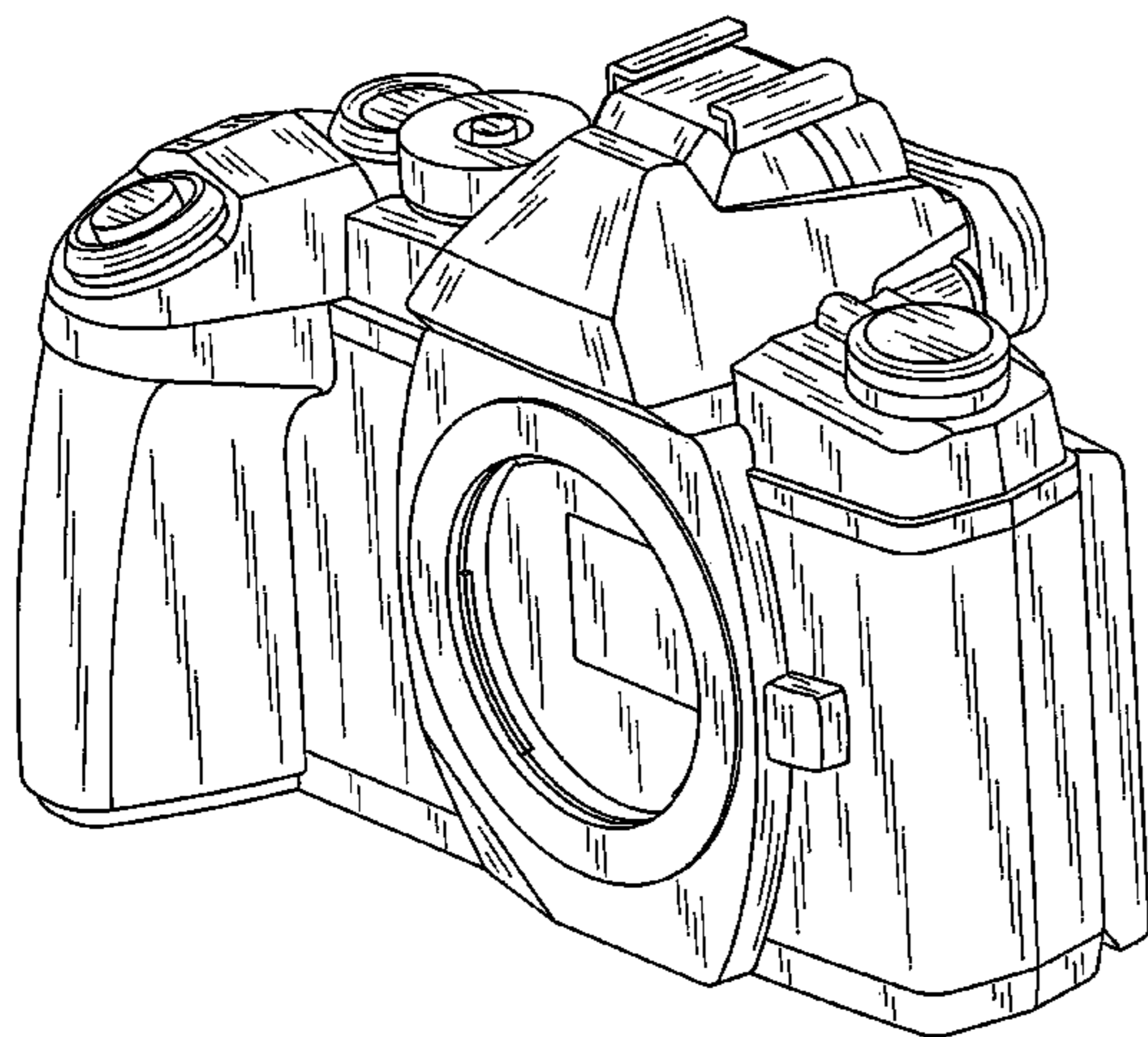


FIG.1

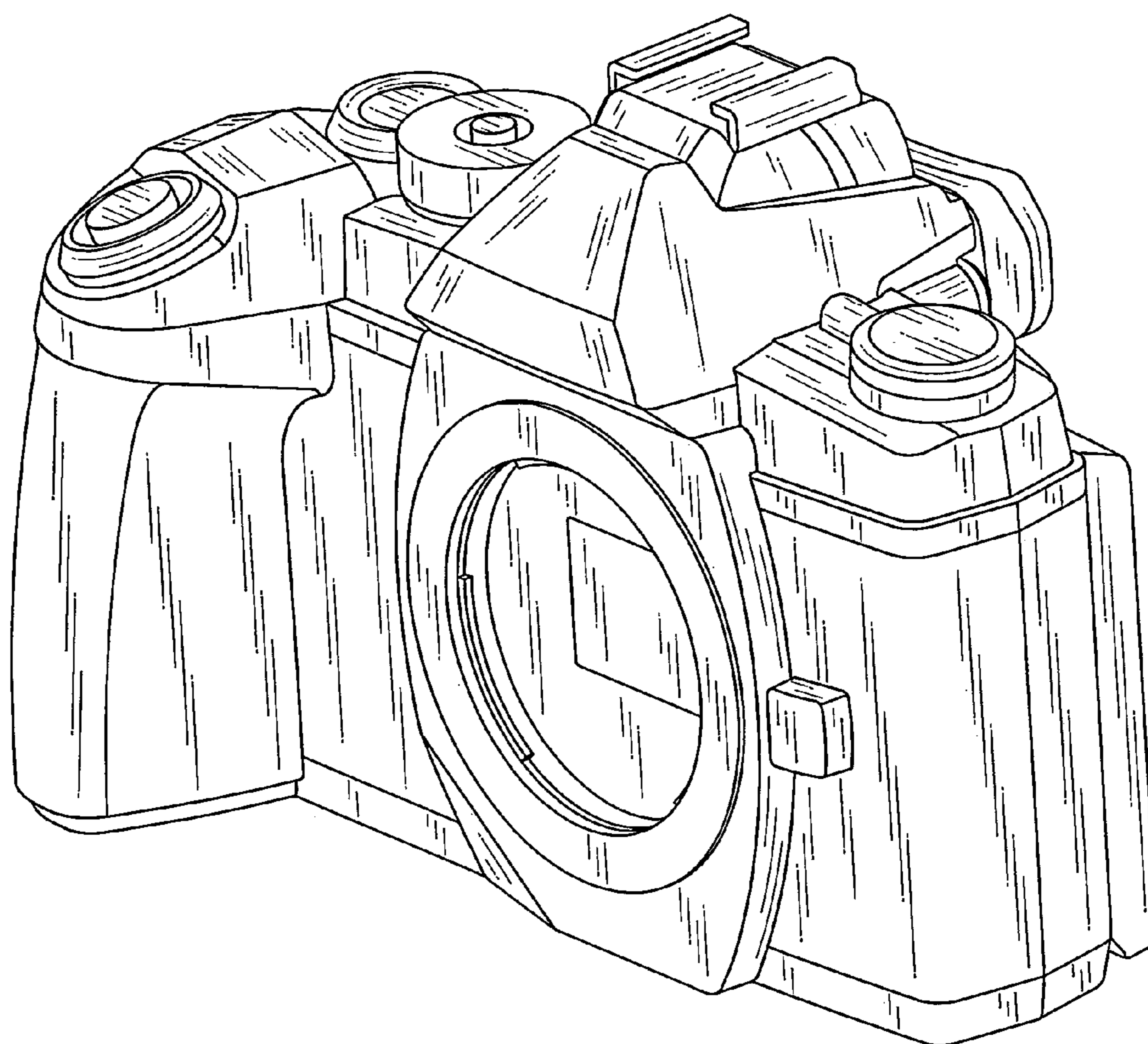


FIG.2

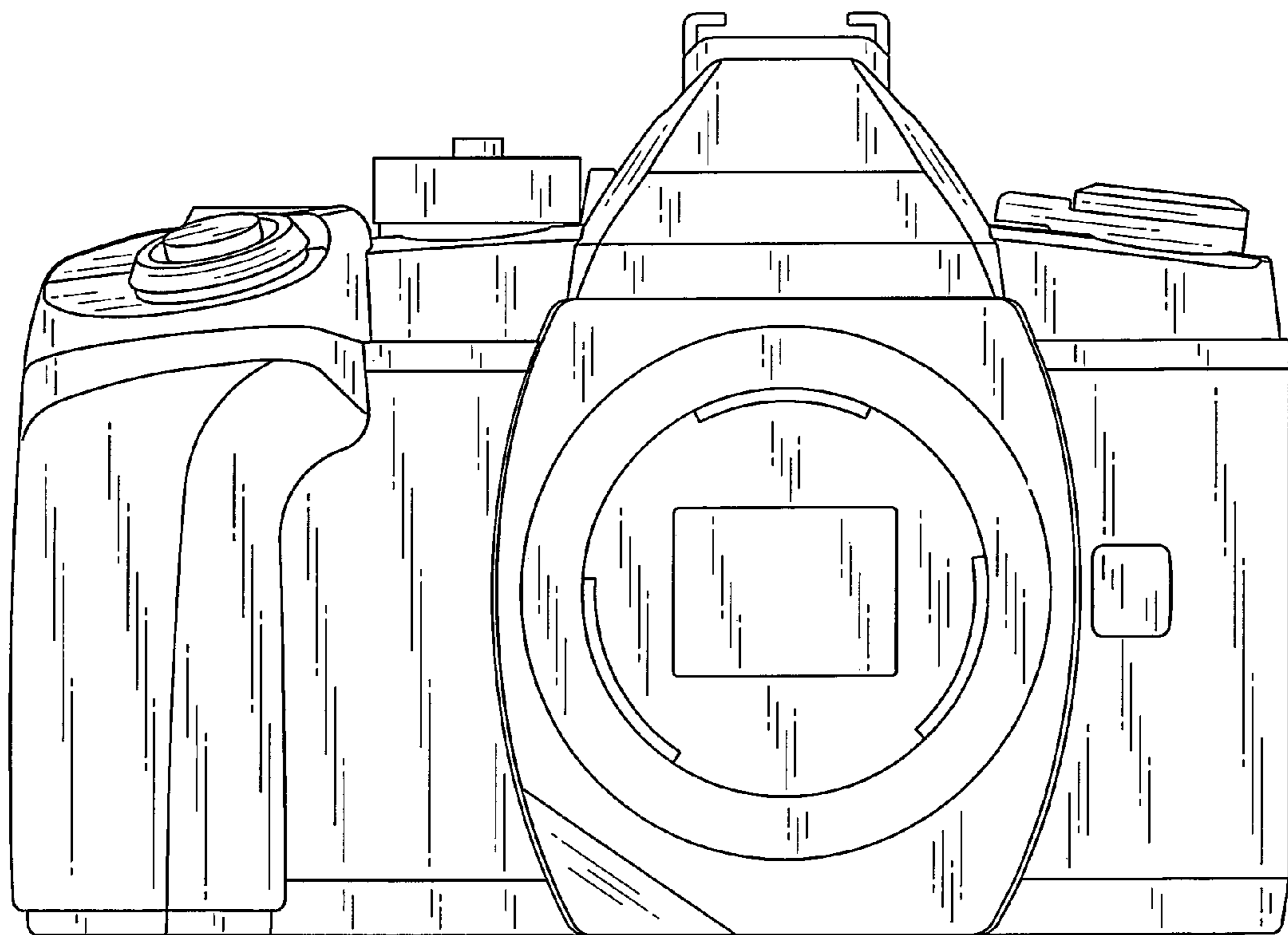


FIG.3

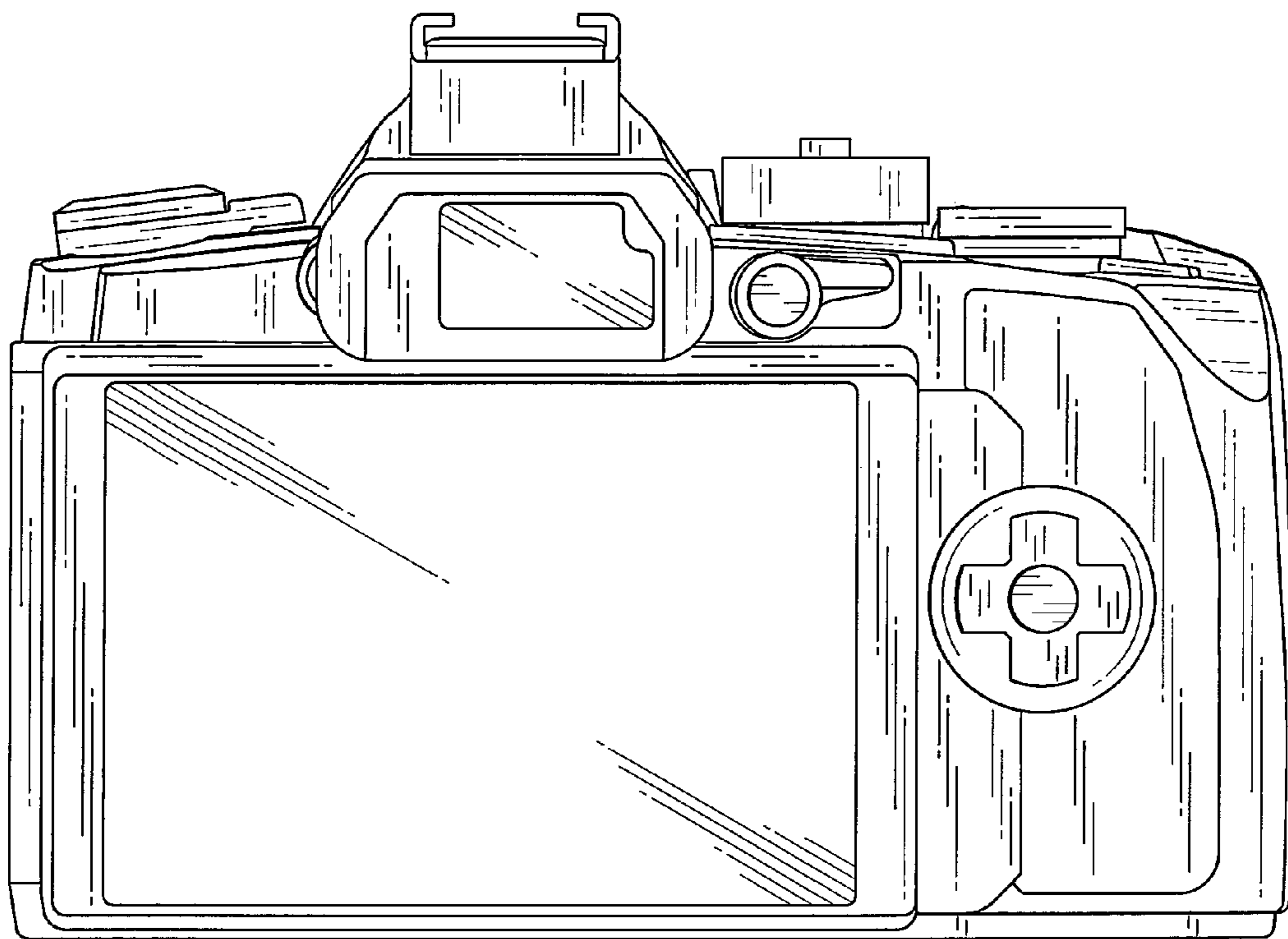


FIG.4

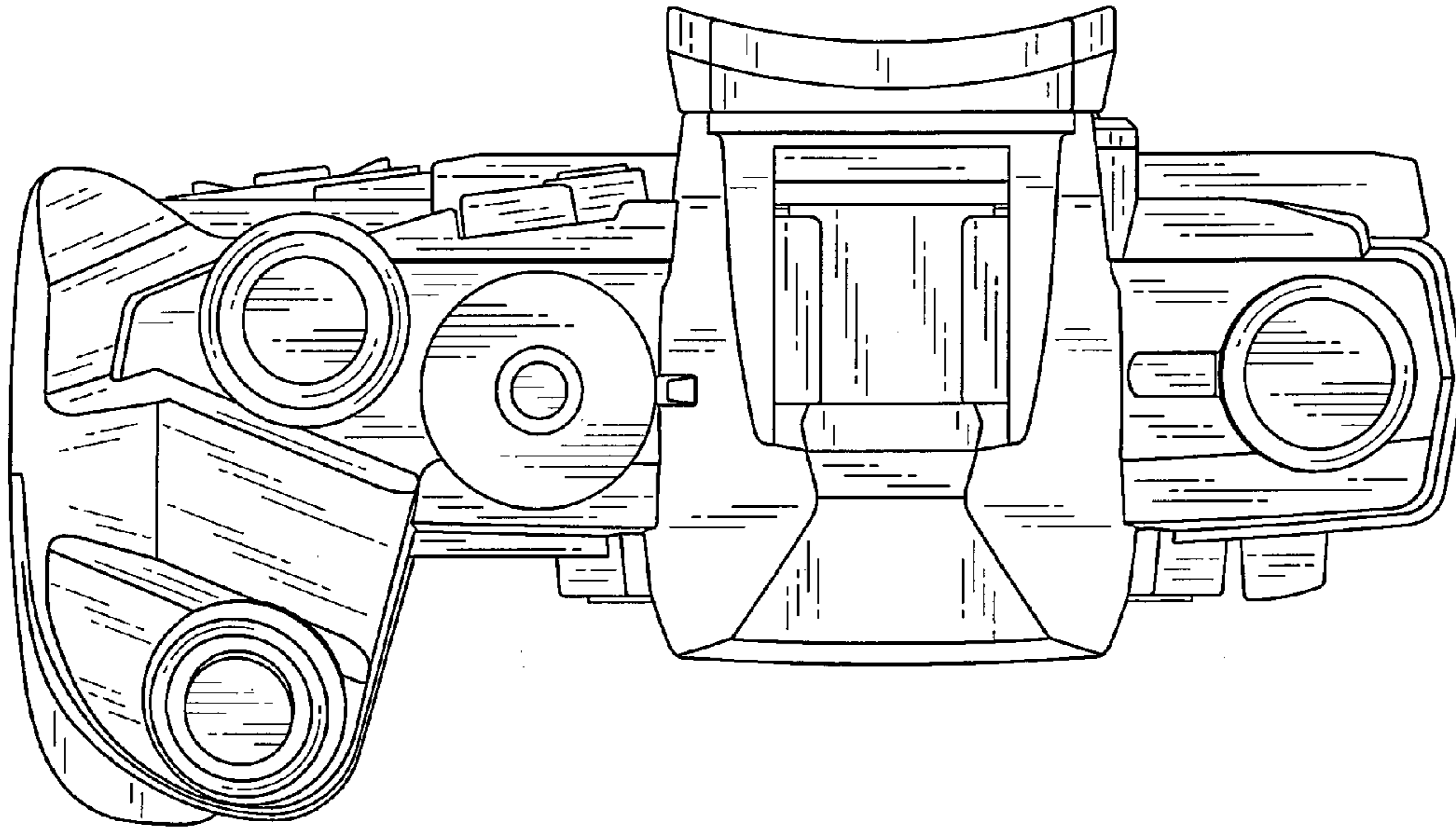


FIG.5

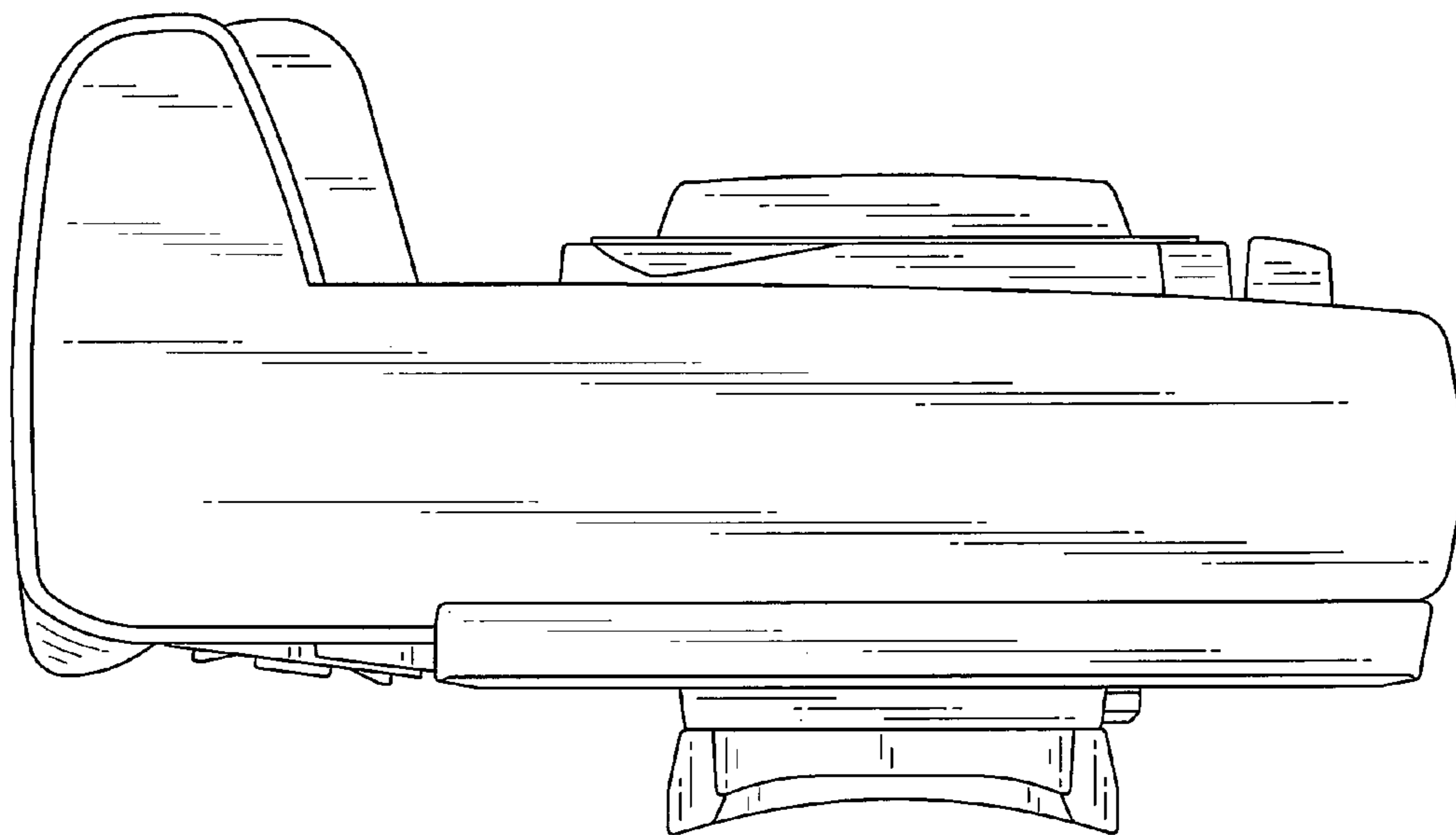


FIG.7

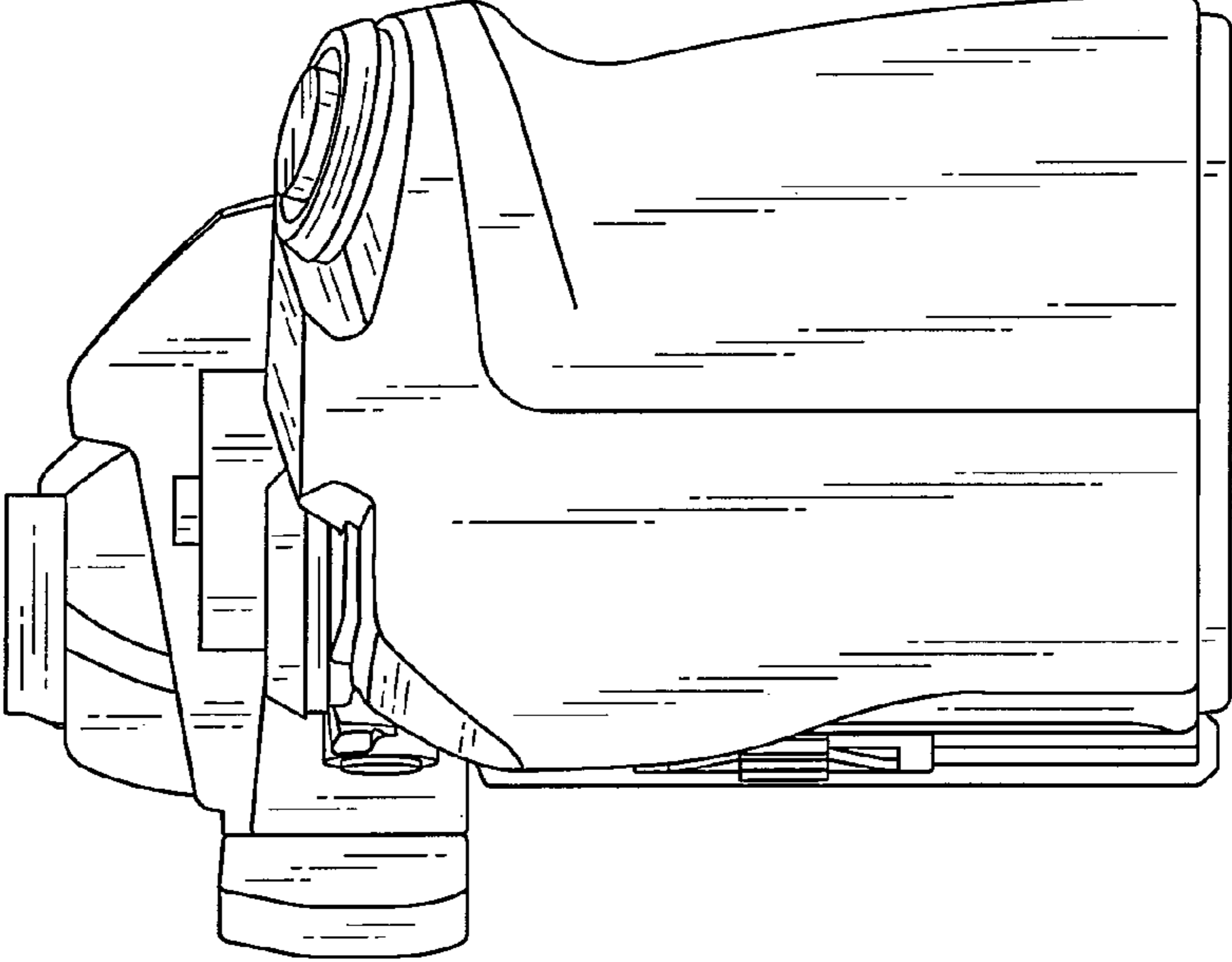


FIG.6

