

US00D720785S

(12) **United States Design Patent**
Sato

(10) **Patent No.:** **US D720,785 S**
(45) **Date of Patent:** **** Jan. 6, 2015**

(54) **ELECTRODE BAR FOR OPTICAL FIBER FUSION SPLICER**

(71) Applicant: **SEI Optifrontier Co., Ltd.**, Yokohama (JP)

(72) Inventor: **Ryuichiro Sato**, Yokohama (JP)

(73) Assignee: **SEI Optifrontier Co., Ltd.**, Yokohama-shi (JP)

(**) Term: **14 Years**

(21) Appl. No.: **29/471,347**

(22) Filed: **Oct. 30, 2013**

(51) **LOC (10) Cl.** **15-09**

(52) **U.S. Cl.**
USPC **D15/144.2**

(58) **Field of Classification Search**
USPC D8/70, 382; D15/127, 144, 144.1, D15/144.2, 199
See application file for complete search history.

(56) **References Cited**

U.S. PATENT DOCUMENTS

2,281,028	A *	4/1942	Dickson	470/5
D223,107	S *	3/1972	Momose et al.	D13/199
5,110,247	A *	5/1992	Losada	411/441
5,156,663	A *	10/1992	Itoh et al.	65/501
5,511,918	A *	4/1996	Rotter	411/441
7,438,485	B2 *	10/2008	Tabata et al.	385/96
D626,825	S *	11/2010	Walker et al.	D8/382
D652,850	S *	1/2012	Song et al.	D15/144
2003/0128940	A1 *	7/2003	Iwashita et al.	385/96
2005/0163447	A1 *	7/2005	Takahashi et al.	385/134

2008/0175689	A1 *	7/2008	Vagedes	411/487
2010/0272405	A1 *	10/2010	Song et al.	385/96
2013/0140290	A1 *	6/2013	Kawasaki et al.	219/136
2013/0236145	A1 *	9/2013	Sato	385/96
2014/0083141	A1 *	3/2014	Iwashita	65/484
2014/0131326	A1 *	5/2014	Sato et al.	219/121.58

* cited by examiner

Primary Examiner — Patricia Palasik

(74) *Attorney, Agent, or Firm* — Venable LLP; Michael A. Sartori

(57) **CLAIM**

The ornamental design for an electrode bar for an optical fiber fusion splicer, as shown and described.

DESCRIPTION

FIG. 1 is a front view of a electrode bar for an optical fiber fusion splicer of the present invention.

FIG. 2 is a rear view of the electrode bar for an optical fiber fusion splicer of FIG. 1.

FIG. 3 is a top plan view of the electrode bar for an optical fiber fusion splicer of FIG. 1.

FIG. 4 is a bottom plan view of the electrode bar for an optical fiber fusion splicer of FIG. 1.

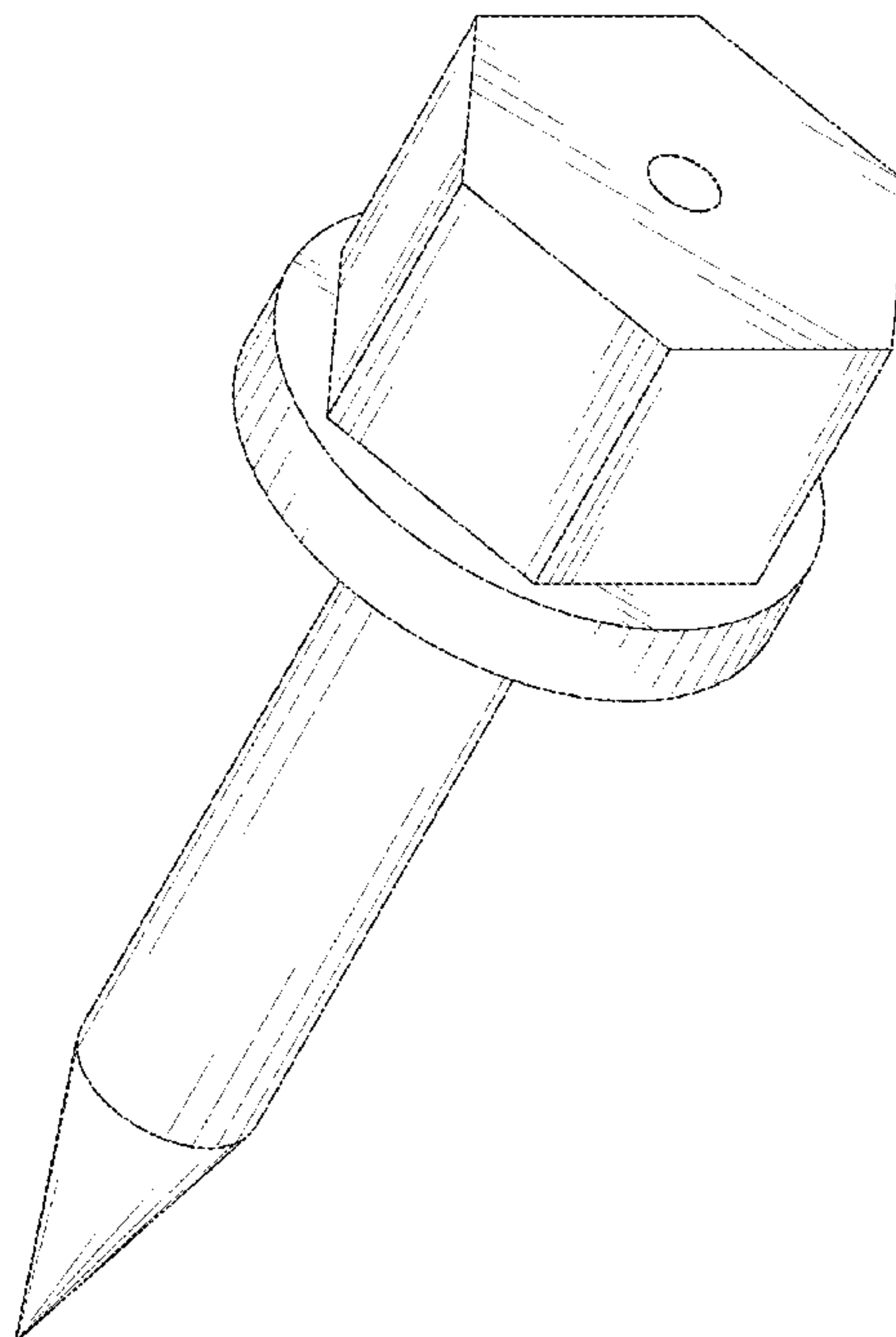
FIG. 5 is a right side view of the electrode bar for an optical fiber fusion splicer of FIG. 1.

FIG. 6 is a left side view of the electrode bar for an optical fiber fusion splicer of FIG. 1.

FIG. 7 is a perspective view from above of the electrode bar for an optical fiber fusion splicer of FIG. 1; and,

FIG. 8 is a rear perspective view from below of the electrode bar for an optical fiber fusion splicer of FIG. 1.

1 Claim, 8 Drawing Sheets



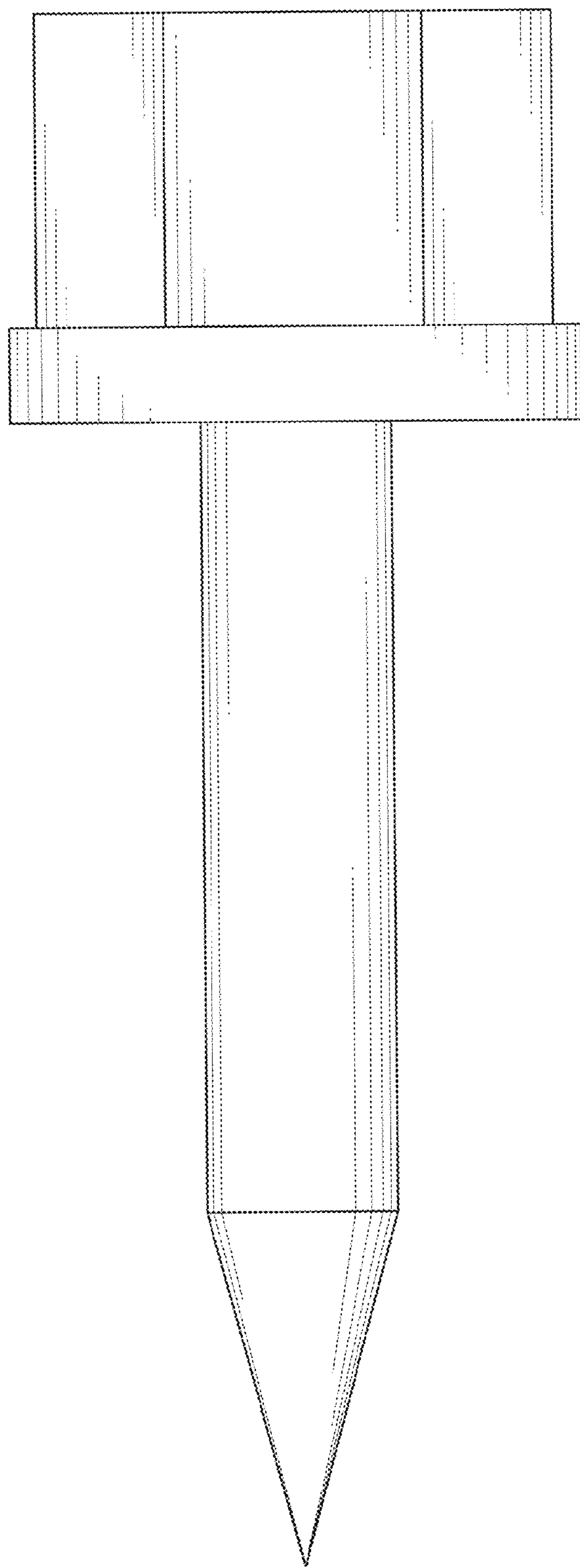


FIG. 1

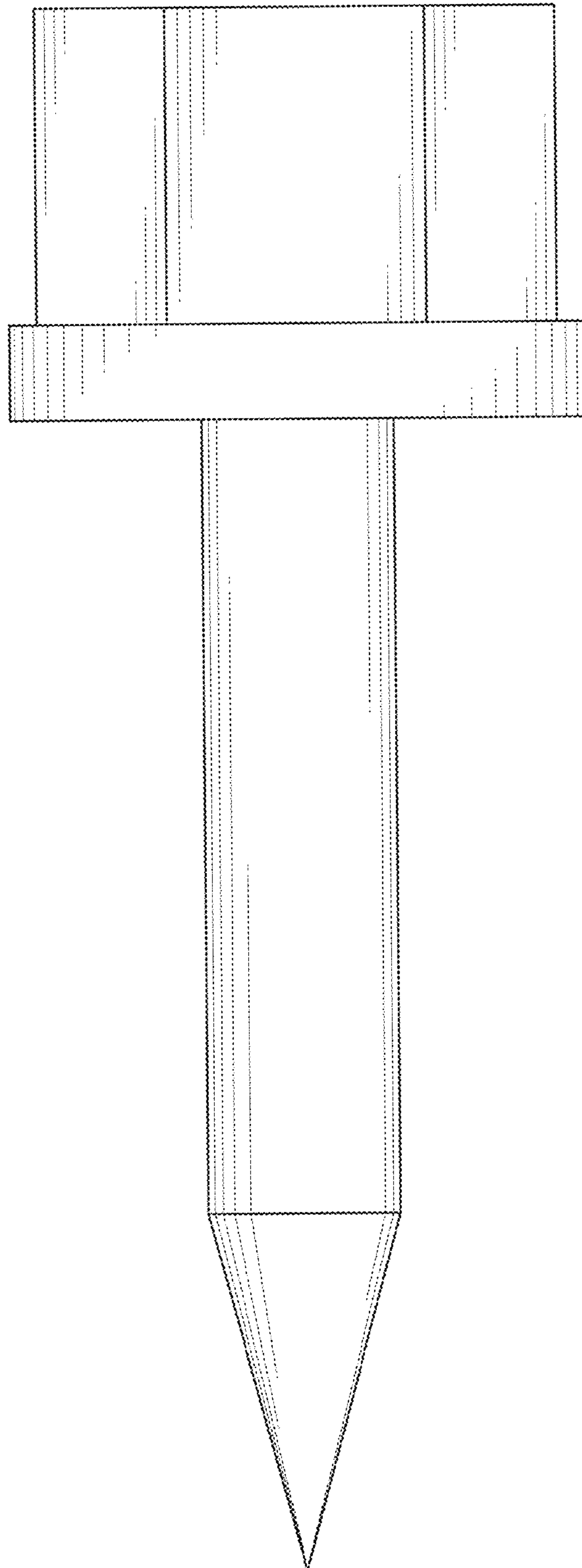


FIG. 2

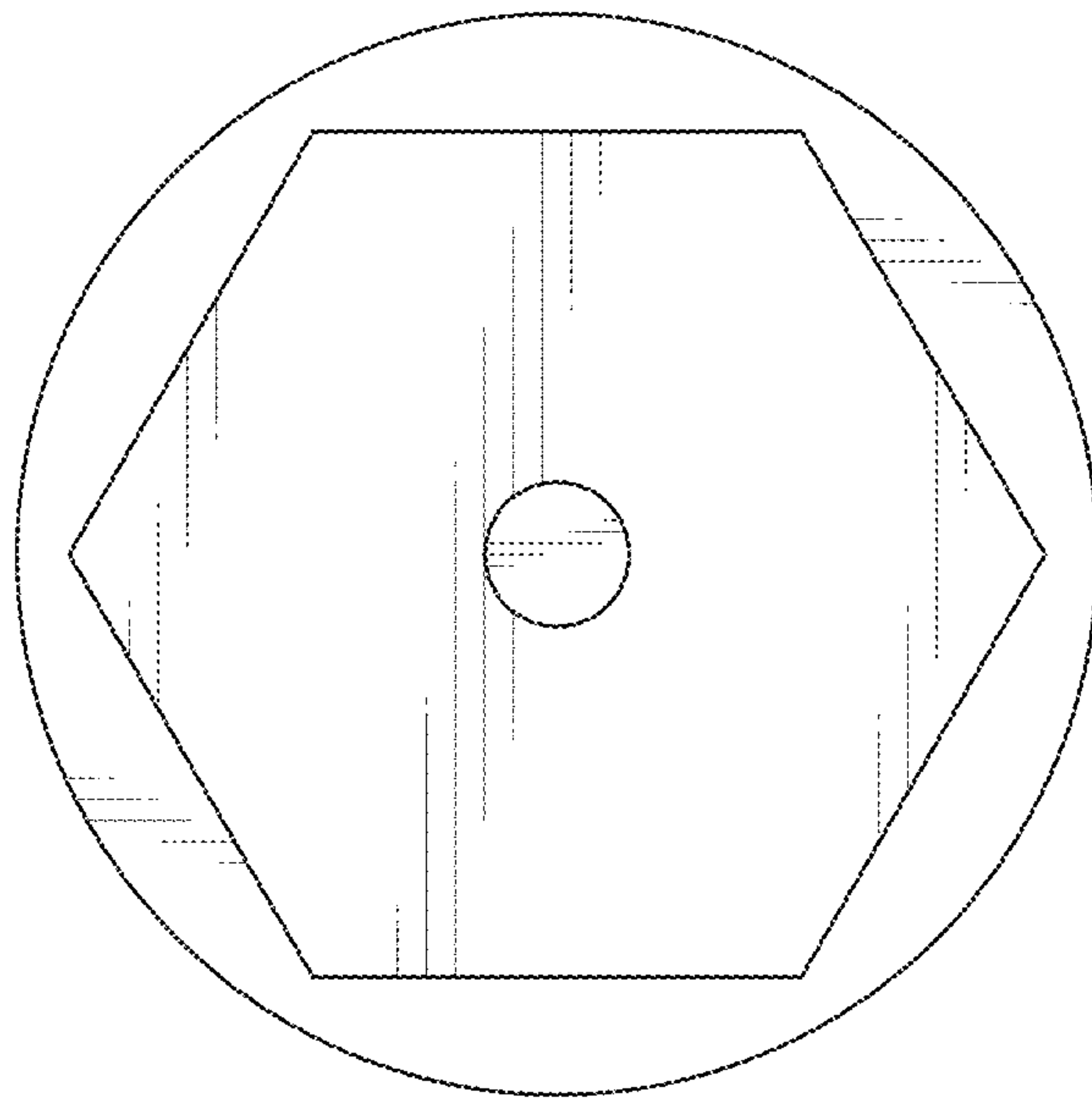


FIG. 3

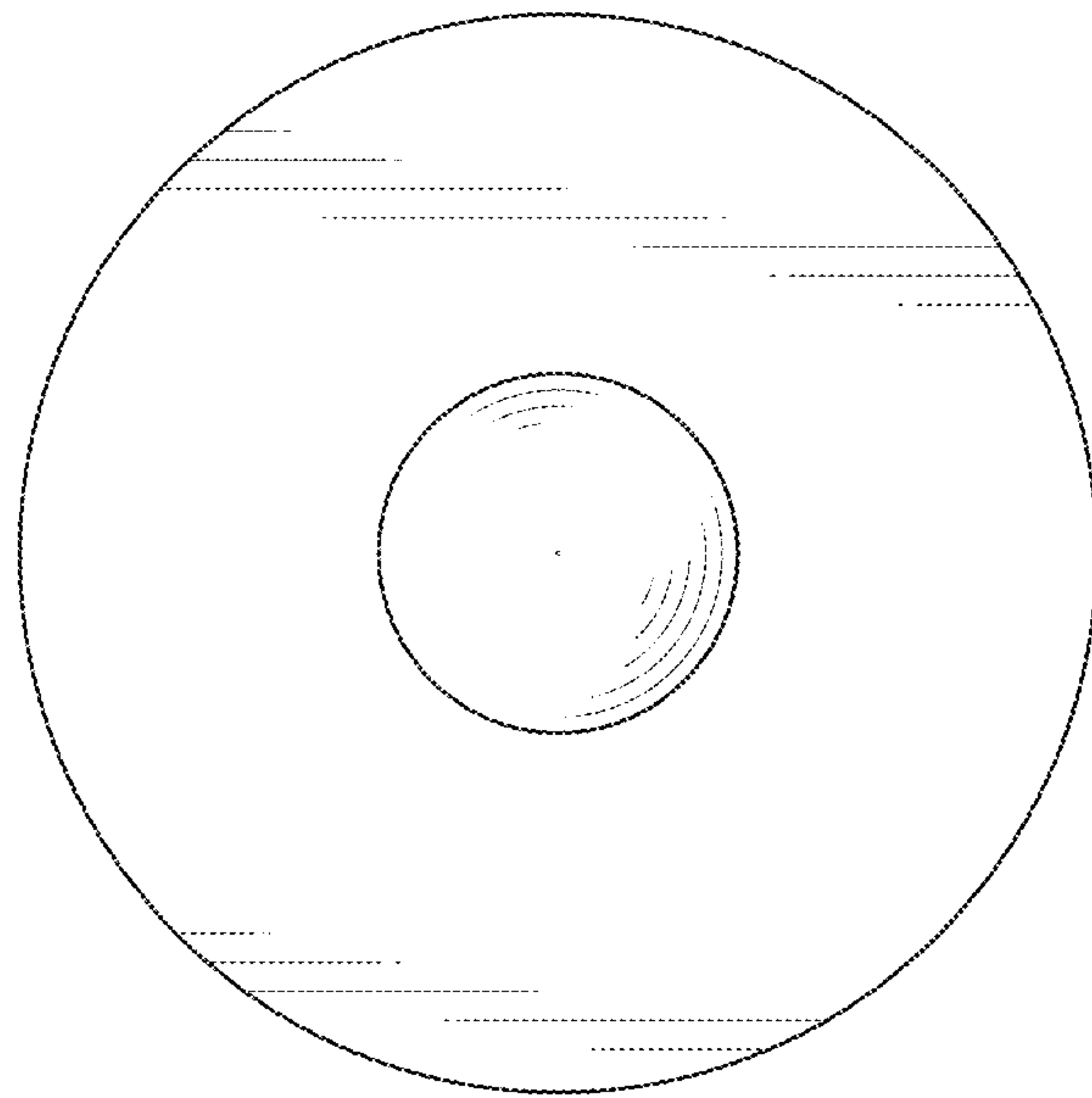


FIG. 4

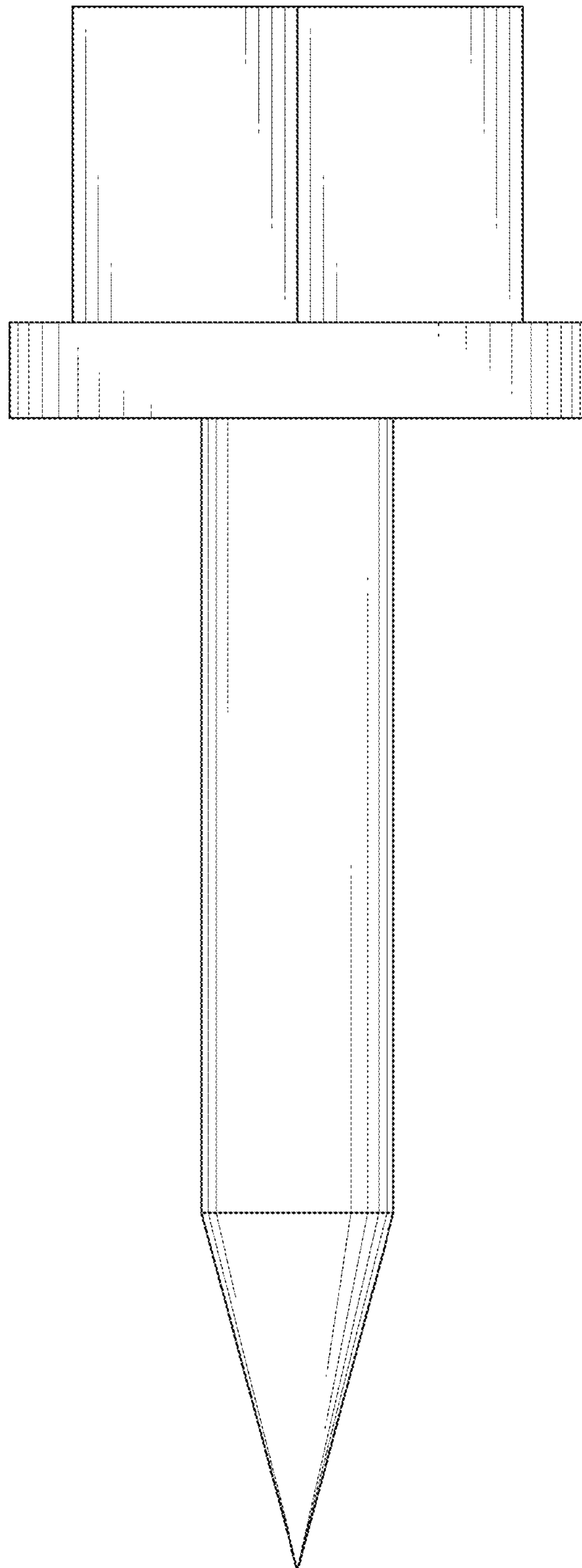


FIG. 5

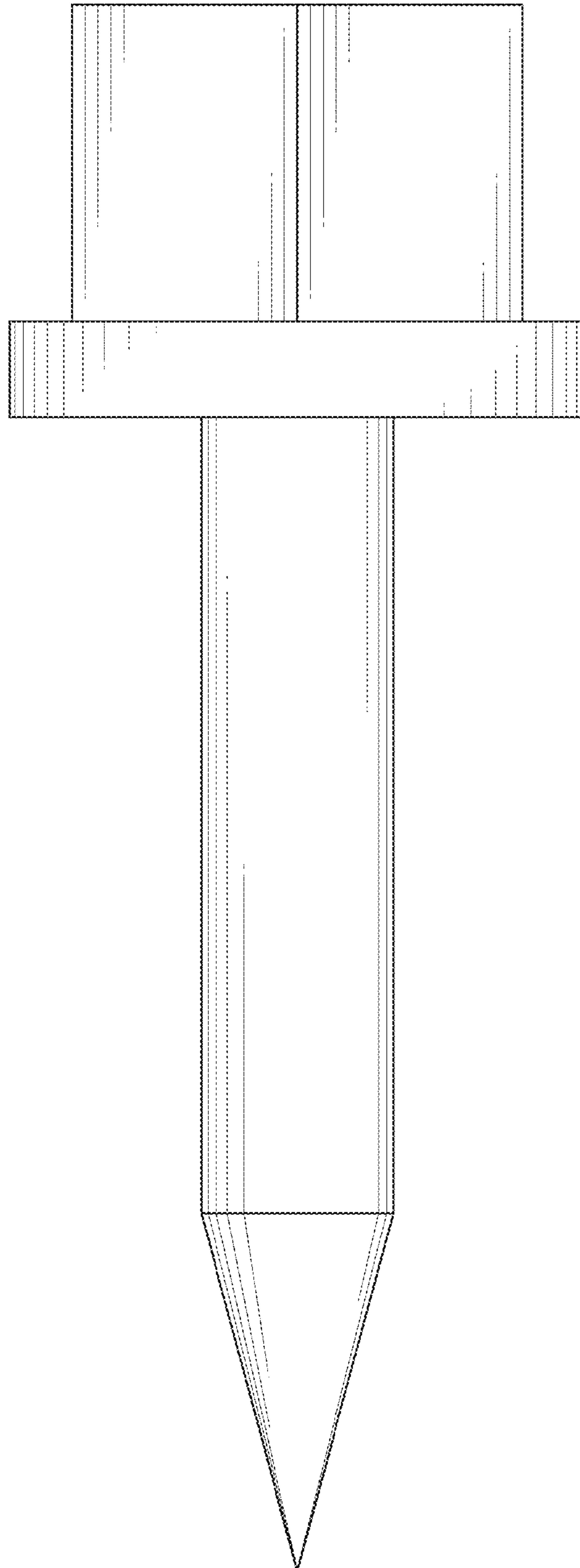


FIG. 6

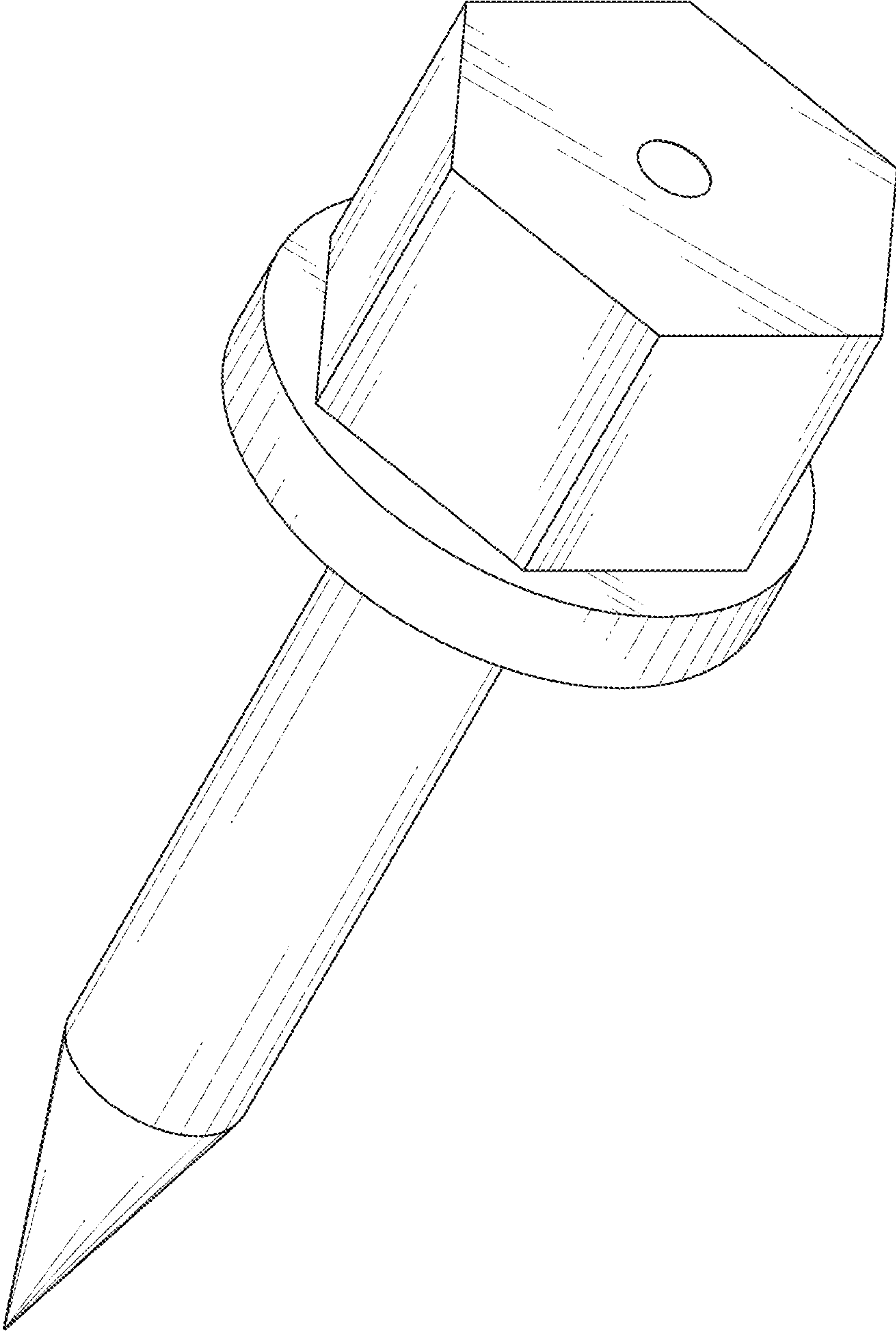


FIG. 7

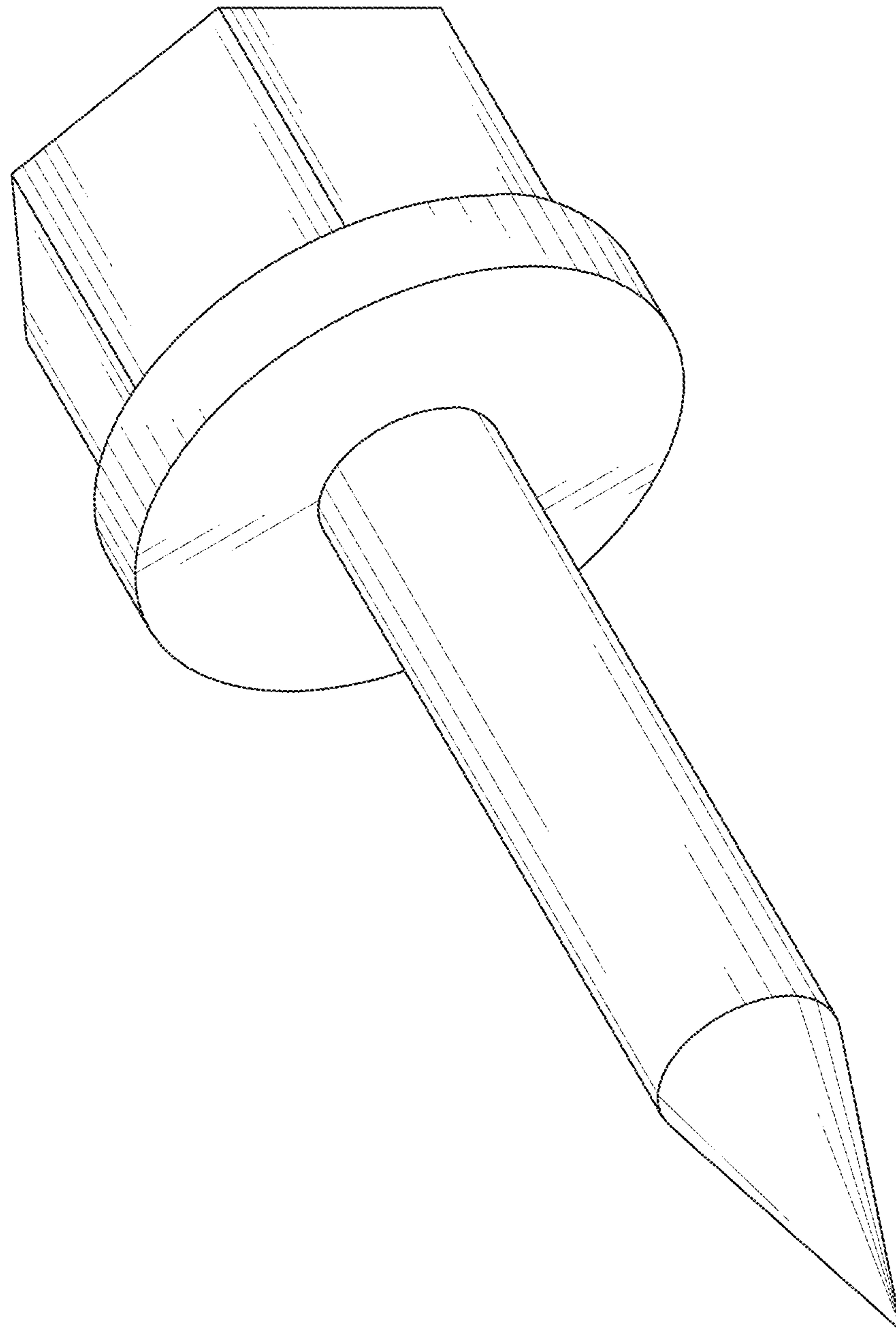


FIG. 8