



US00D720783S

(12) **United States Design Patent**  
**Yang et al.**

(10) **Patent No.:** **US D720,783 S**

(45) **Date of Patent:** **\*\* Jan. 6, 2015**

(54) **ICE TRAY FOR REFRIGERATOR**

(56) **References Cited**

(71) Applicant: **Samsung Electronics Co., Ltd.**,  
Suwon-Si, Gyeonggi-Do (KR)  
(72) Inventors: **Yunho Yang**, Yongin-si (KR); **Hyun-il**  
**Lee**, Seoul (KR); **Seyoun Park**,  
Incheon-si (KR); **Jang-Won Kim**, Seoul  
(KR)

U.S. PATENT DOCUMENTS

D138,060	S	*	6/1944	Baird	.....	D15/89
D286,730	S	*	11/1986	Tzifkansky et al.	.....	D15/89
D669,921	S	*	10/2012	Kinser	.....	D15/89
D689,532	S	*	9/2013	Van et al.	.....	D15/89
D694,556	S	*	12/2013	Samsonoff	.....	D6/659
D699,271	S	*	2/2014	Hottmann et al.	.....	D15/89

\* cited by examiner

(73) Assignee: **Samsung Electronics Co., Ltd.**,  
Gyeonggi-do (KR)

*Primary Examiner* — Thomas Johannes  
*Assistant Examiner* — Khawaja Anwar  
(74) *Attorney, Agent, or Firm* — Harness, Dickey & Pierce

(\*\*) Term: **14 Years**

(57) **CLAIM**

The ornamental design for an ice tray for refrigerator, as shown and described.

(21) Appl. No.: **29/454,629**

**DESCRIPTION**

(22) Filed: **May 13, 2013**

FIG. 1 is the front/right-side/top perspective view of an ice tray for refrigerator showing our new design; FIG. 2 is the front elevation view thereof; FIG. 3 is the rear elevation view thereof; FIG. 4 is the left-side elevation view thereof; FIG. 5 is the right-side elevation view thereof; FIG. 6 is the top-side plan view thereof; FIG. 7 is the bottom-side plan view thereof; FIG. 8 shows the ice tray for refrigerator in use; and, FIG. 9 is a perspective view thereof showing a tray portion removed during typical use.

(30) **Foreign Application Priority Data**

Nov. 13, 2012 (KR) ..... 30-2012-0054236

(51) **LOC (10) Cl.** ..... **15-07**

(52) **U.S. Cl.**  
USPC ..... **D15/90**

(58) **Field of Classification Search**  
USPC ..... D15/79-89, 91; D6/657, 659, 661, 705;  
312/400-408, 114, 116, 117, 138.1,  
312/139.2, 236; 62/441, 377, 326,  
62/246-255, 457.1-457.9

The shade lines in the Figures show the transparency and the flatness, and not surface ornamentation.

The broken lines in the drawing show unclaimed environment only and form no part of the claimed design.

See application file for complete search history.

**1 Claim, 7 Drawing Sheets**

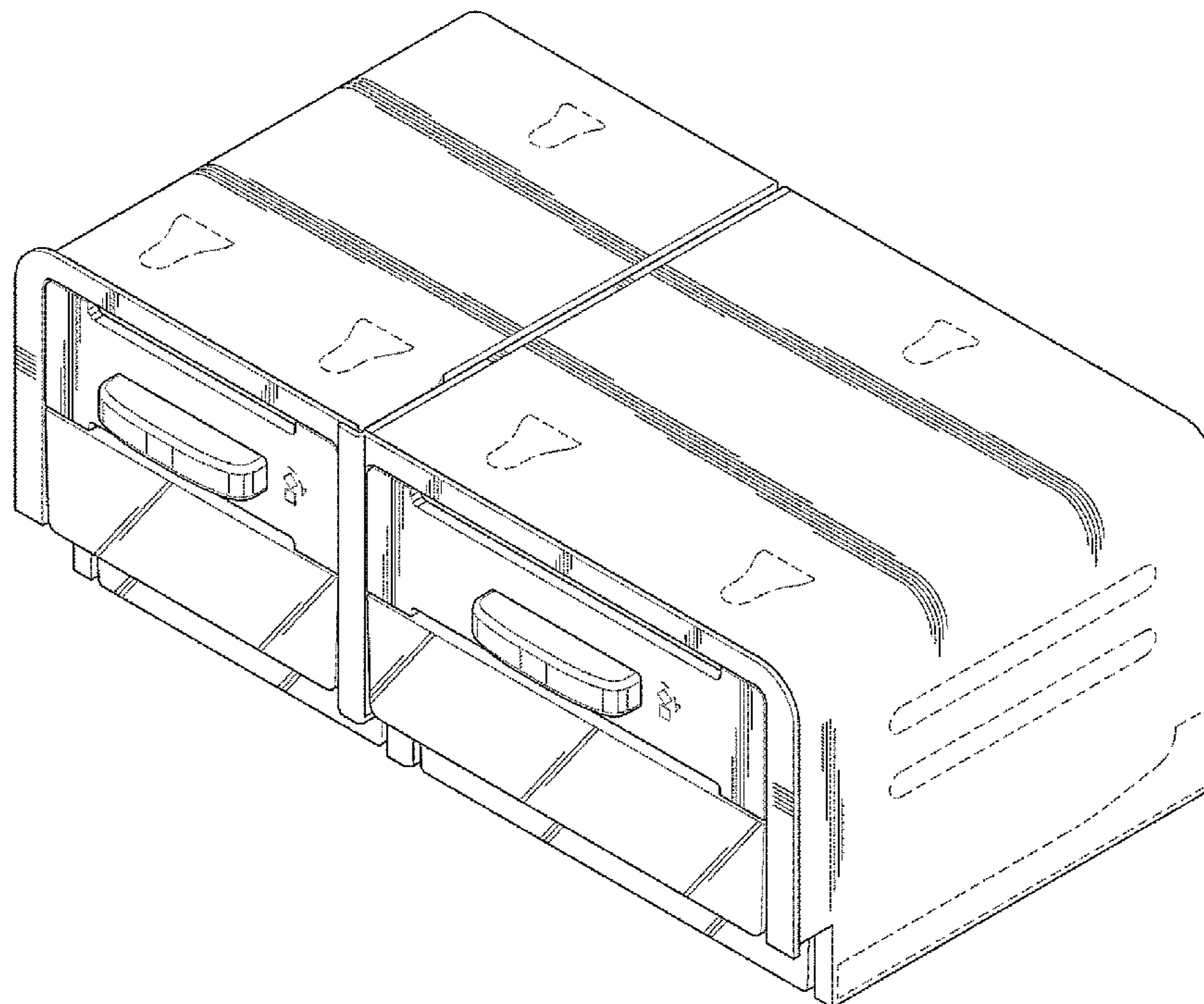


FIG. 1

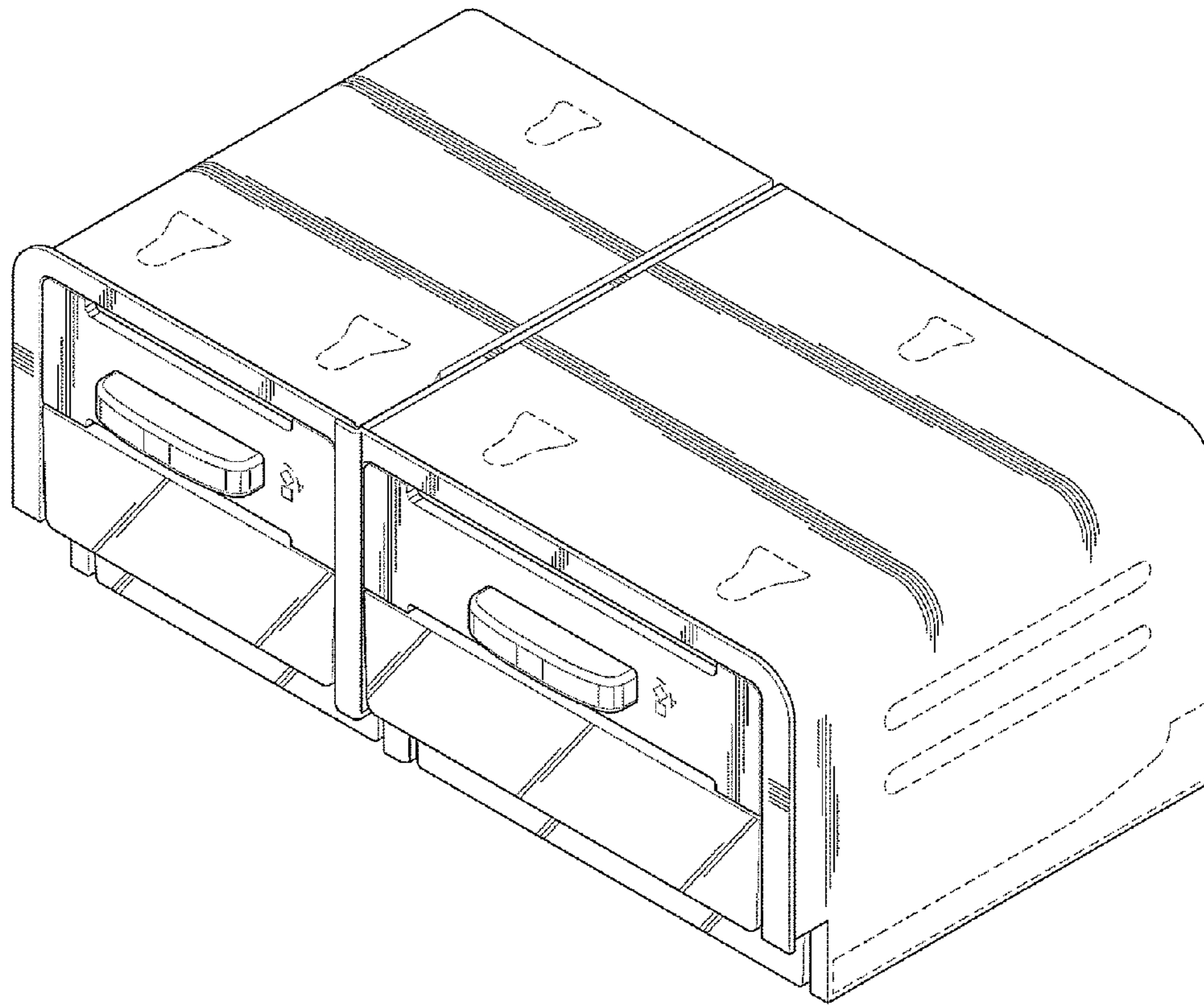


FIG.2

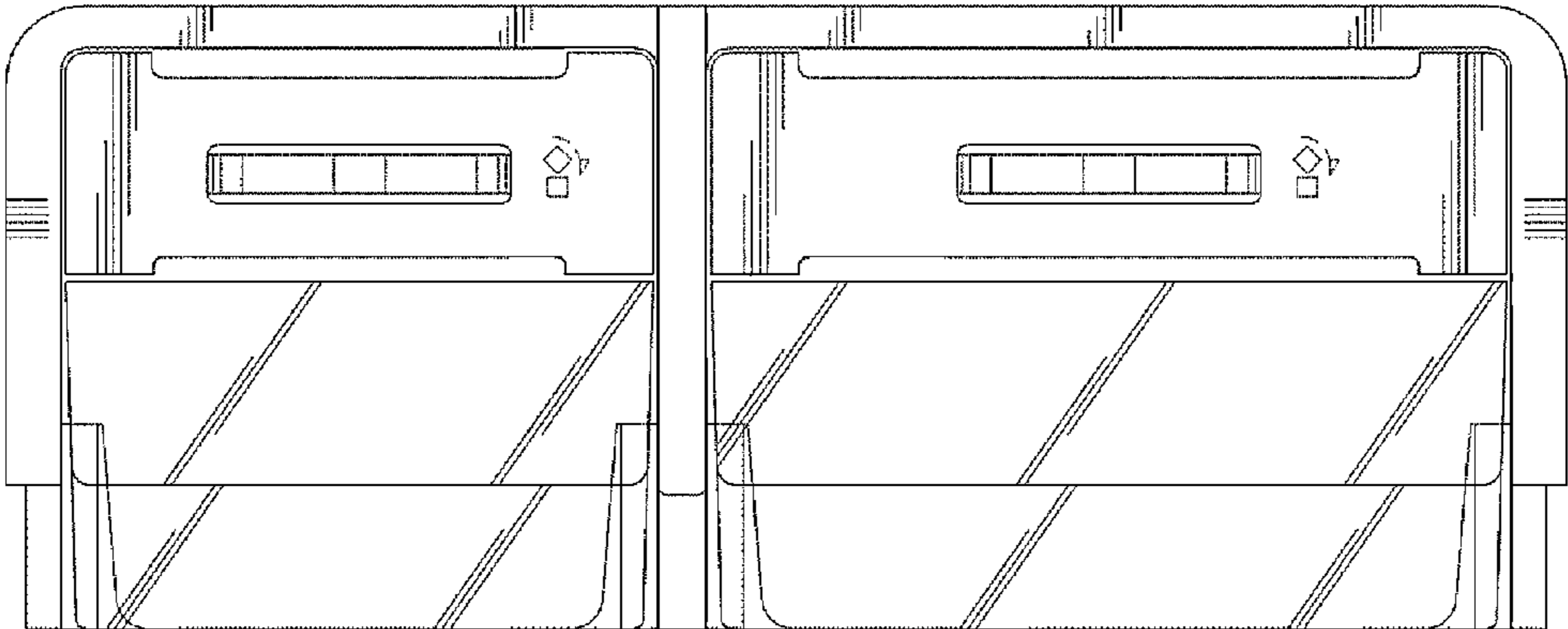


FIG.3

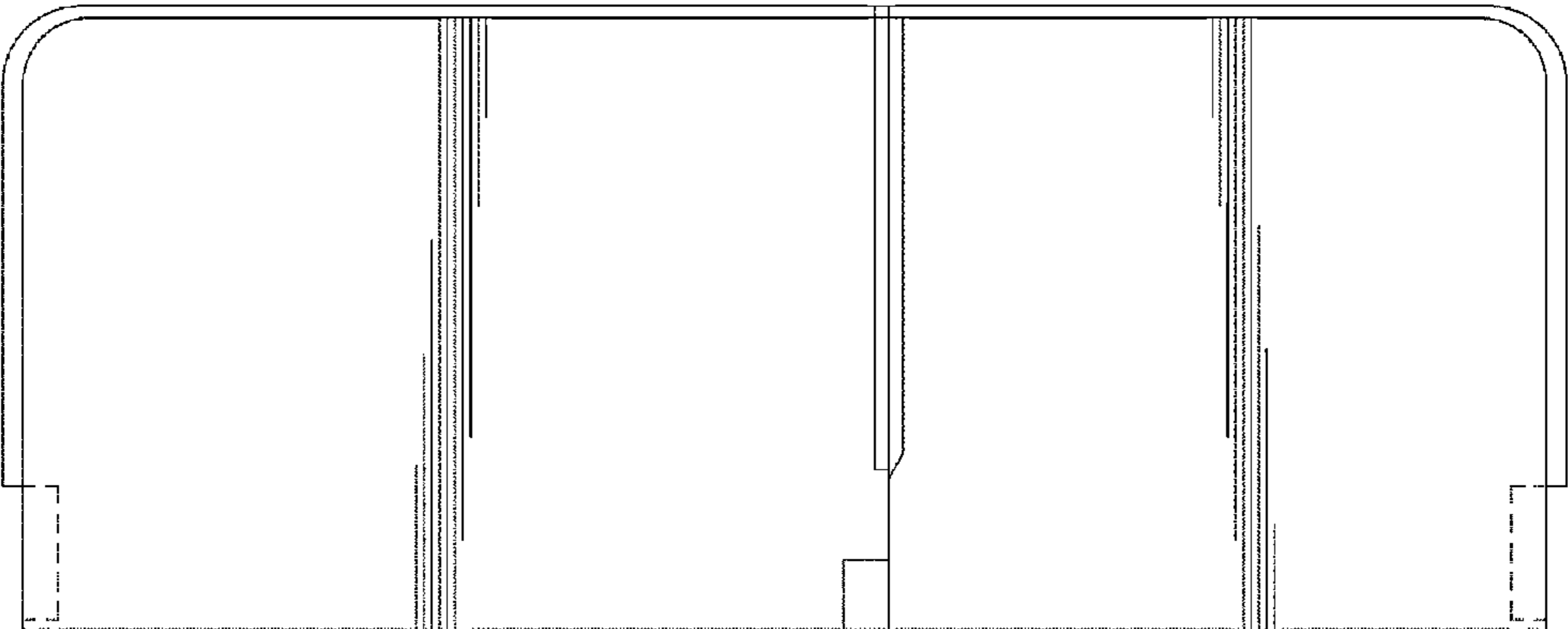


FIG.4

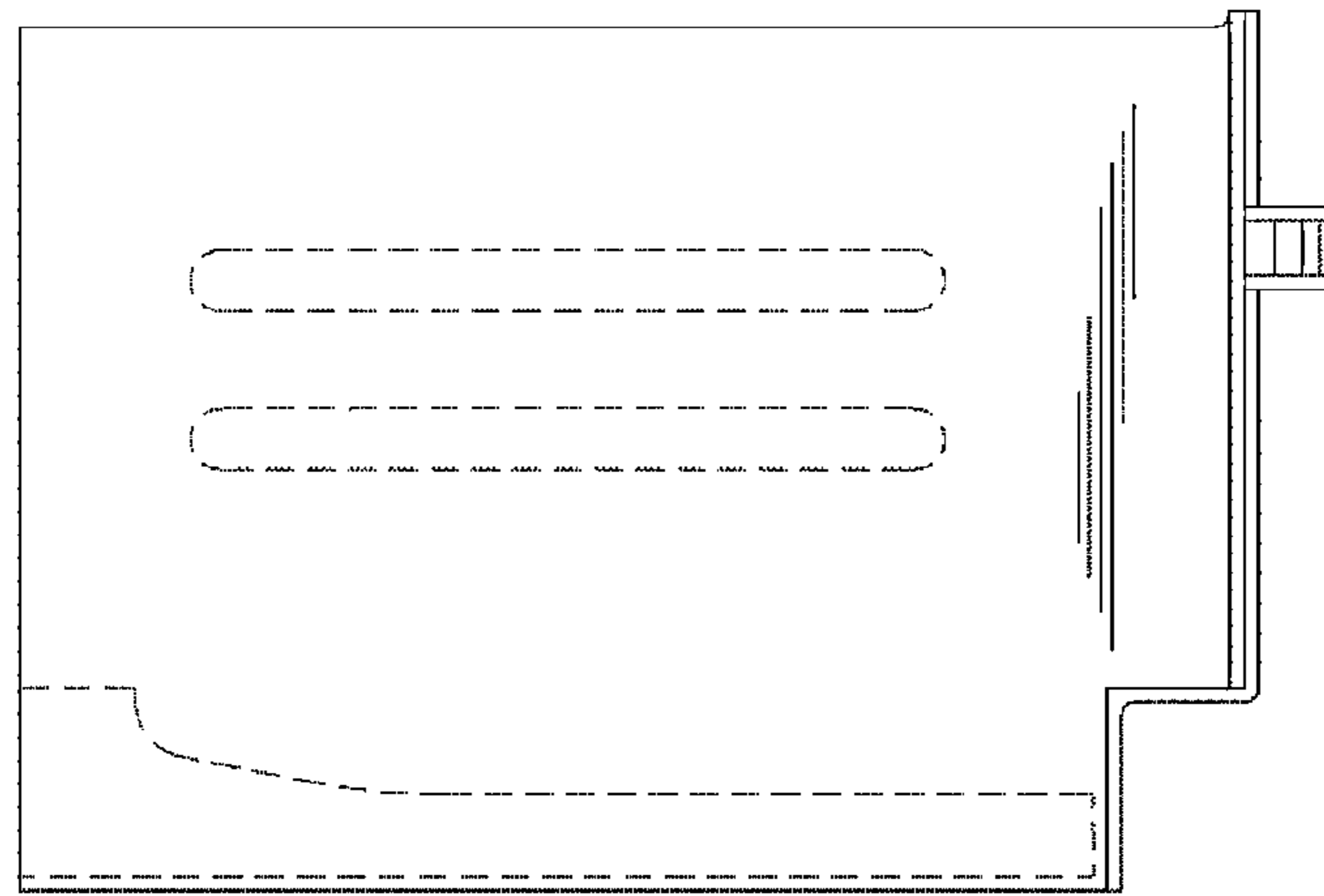


FIG.5

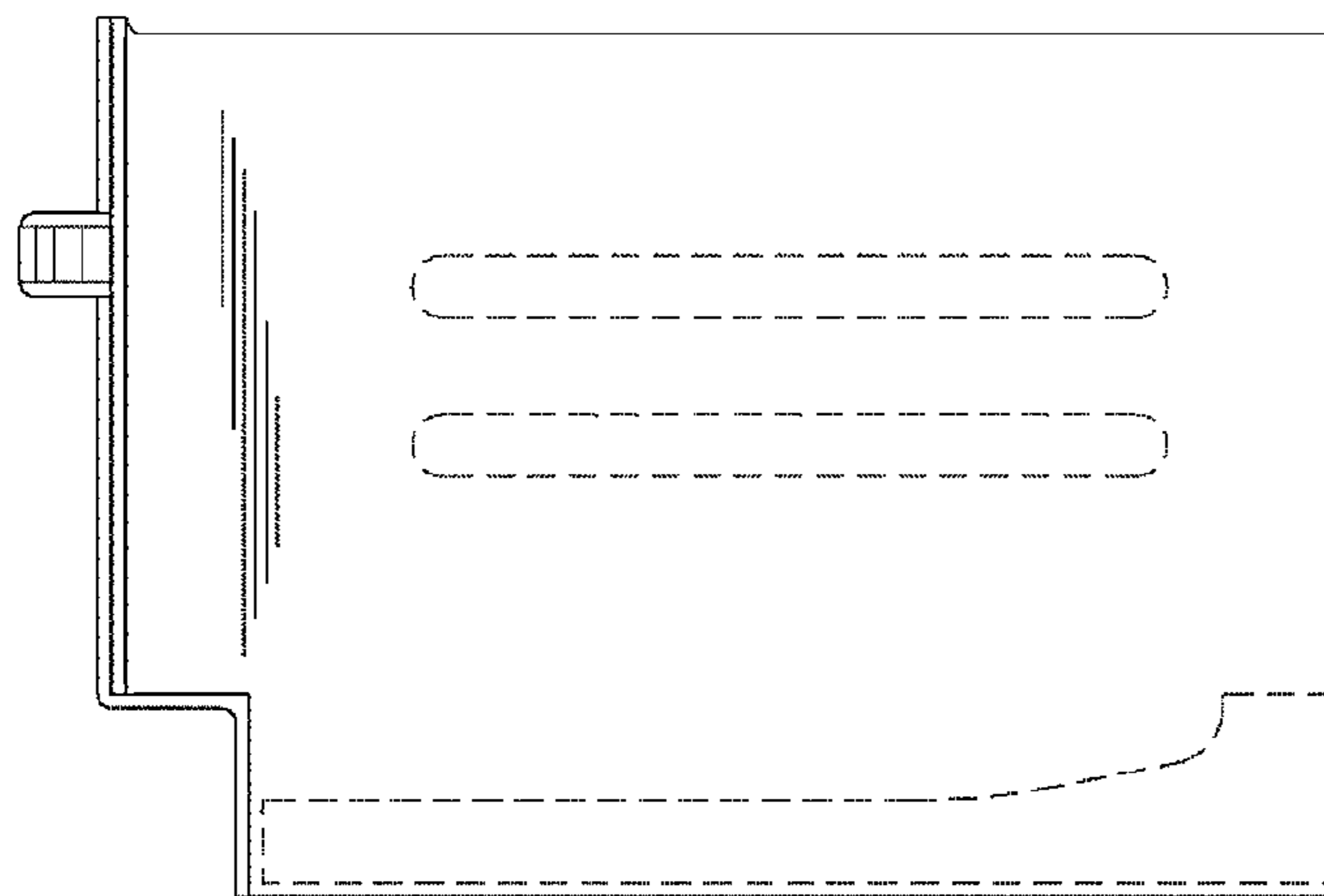


FIG.6

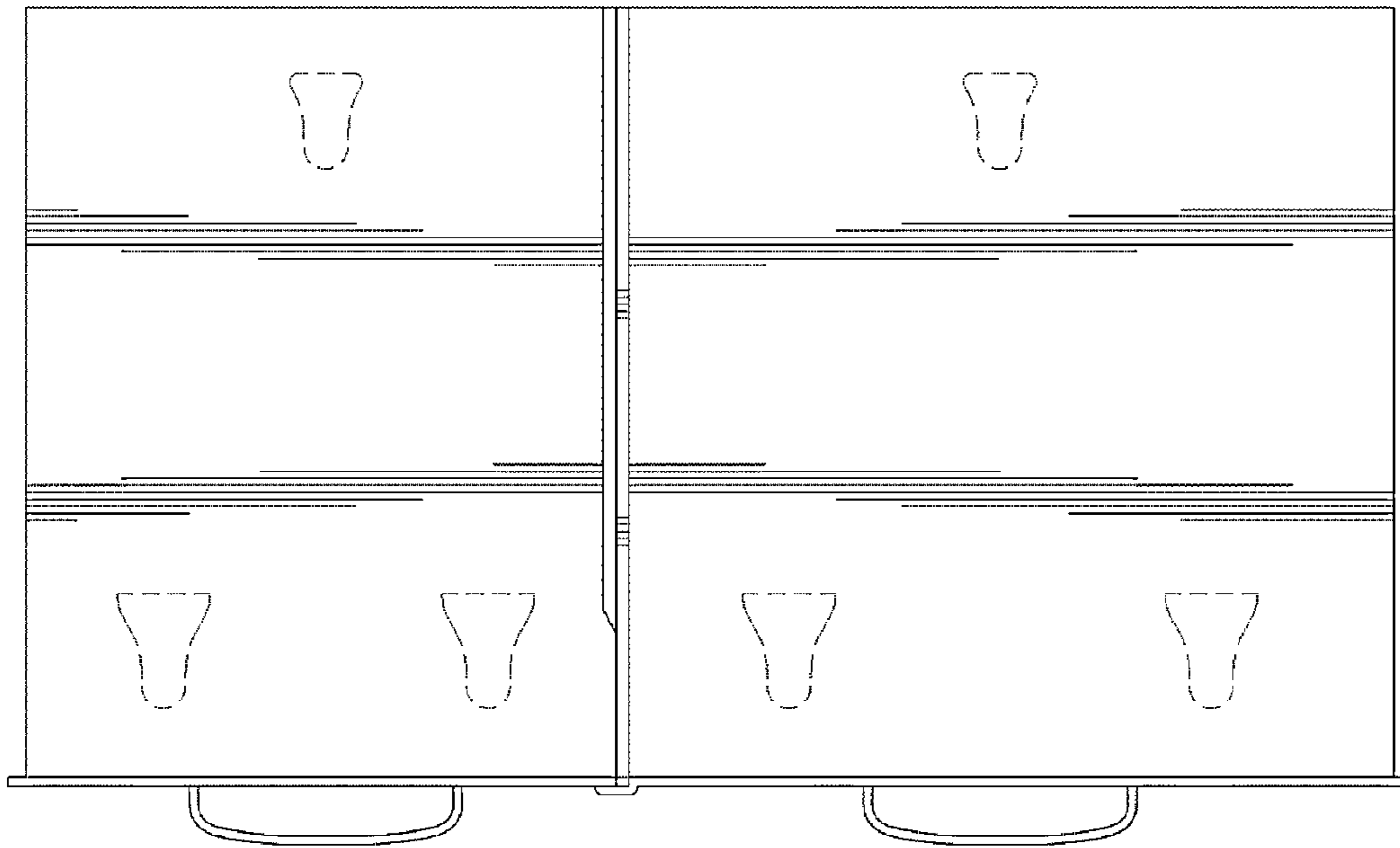


FIG.7

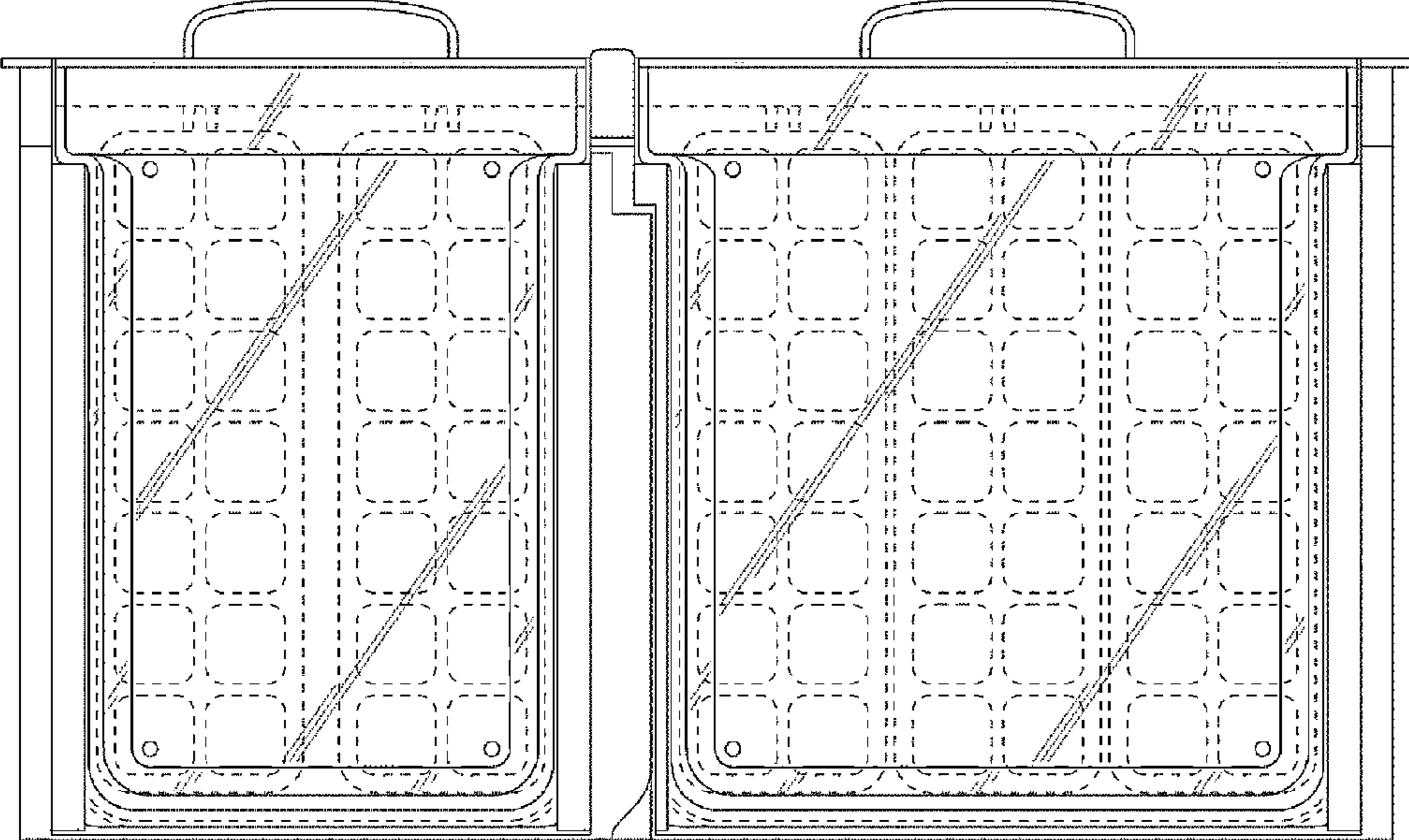


FIG. 8

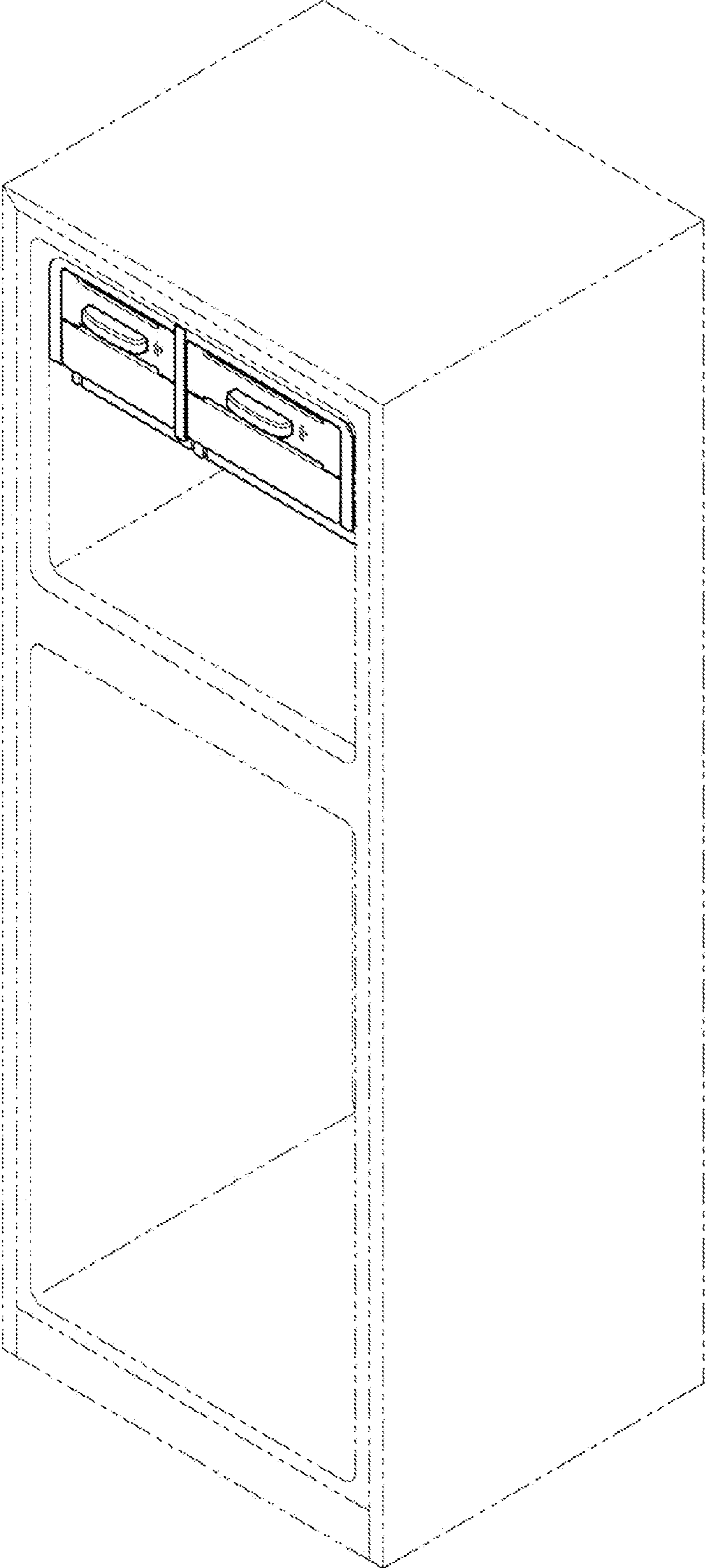


FIG.9

