



US00D720781S

(12) **United States Design Patent**
Venth et al.

(10) **Patent No.:** **US D720,781 S**

(45) **Date of Patent:** **** Jan. 6, 2015**

(54) **ROOF FOR AN AGRICULTURAL WORK VEHICLE**

(56) **References Cited**

U.S. PATENT DOCUMENTS

(71) Applicant: **CNH Industrial America LLC**, New Holland, PA (US)

D275,199	S	*	8/1984	Schmidt et al.	D15/30
D355,423	S	*	2/1995	Woods et al.	D15/23
D430,579	S	*	9/2000	Westendorf et al.	D15/28
D528,134	S	*	9/2006	Vandendriessche et al.	..	D15/30
D534,188	S	*	12/2006	Shuttleworth et al.	D15/33
D541,825	S	*	5/2007	Pettersson	D15/30
D544,889	S	*	6/2007	Milburn et al.	D15/30
D607,903	S	*	1/2010	Selmeci et al.	D15/30
D674,820	S	*	1/2013	Budde	D15/30
D674,821	S	*	1/2013	Budde	D15/30

(72) Inventors: **William Venth**, Chicago, IL (US); **Eric M. Jacobsthal**, Elmhurst, IL (US); **Douglas L. Waco**, Oak Park, IL (US); **Douglas V. Montgomery**, Downers Grove, IL (US); **Dwayne St. George Jackson**, Plainfield, IL (US)

* cited by examiner

(73) Assignee: **CNH Industrial America LLC**, New Holland, PA (US)

Primary Examiner — Mark Goodwin

(74) *Attorney, Agent, or Firm* — Rebecca L. Henkel

(**) Term: **14 Years**

(57) **CLAIM**

The ornamental design for a roof for an agricultural work vehicle, substantially as shown and described.

(21) Appl. No.: **29/496,590**

DESCRIPTION

(22) Filed: **Jul. 15, 2014**

FIG. 1 is a perspective view of a roof for an agricultural work vehicle showing our new design, in which the phantom lines illustrate a portion of the agricultural work vehicle;
FIG. 2 is a top view thereof;
FIG. 3 is a right side view thereof;
FIG. 4 is a left side view thereof;
FIG. 5 is a front view thereof; and,
FIG. 6 is a back view thereof.
Phantom lining, where utilized, is for illustrative purposes only and forms no part of the claimed design.

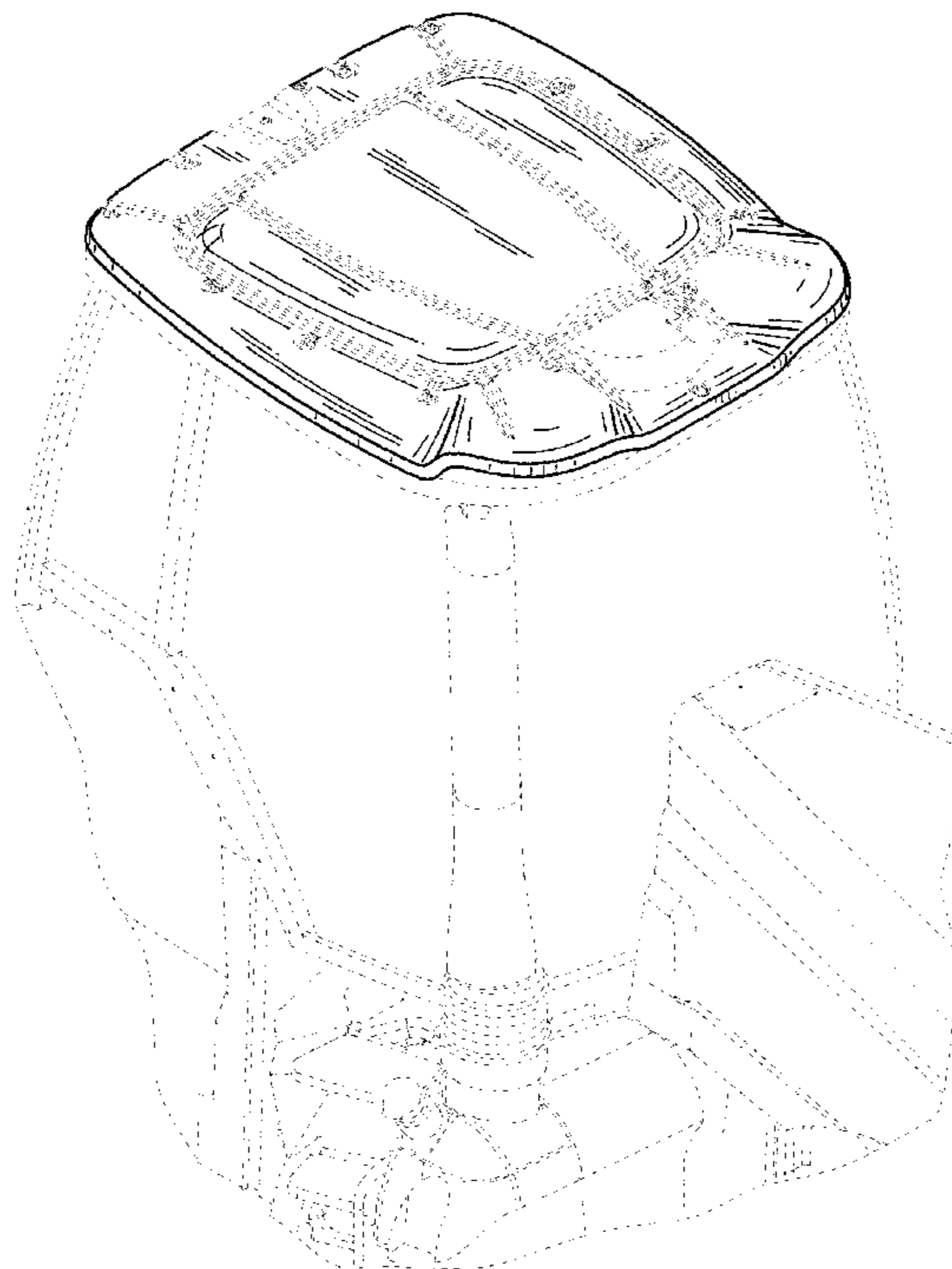
(51) **LOC (10) Cl.** **15-03**

(52) **U.S. Cl.**
USPC **D15/30; D15/28**

(58) **Field of Classification Search**
USPC D15/10, 22-26, 28, 30, 31; 180/89.11, 180/89.12, 89.13, 89.19, 900; 296/190.01, 296/190.08, 210, 190, 202

See application file for complete search history.

1 Claim, 4 Drawing Sheets



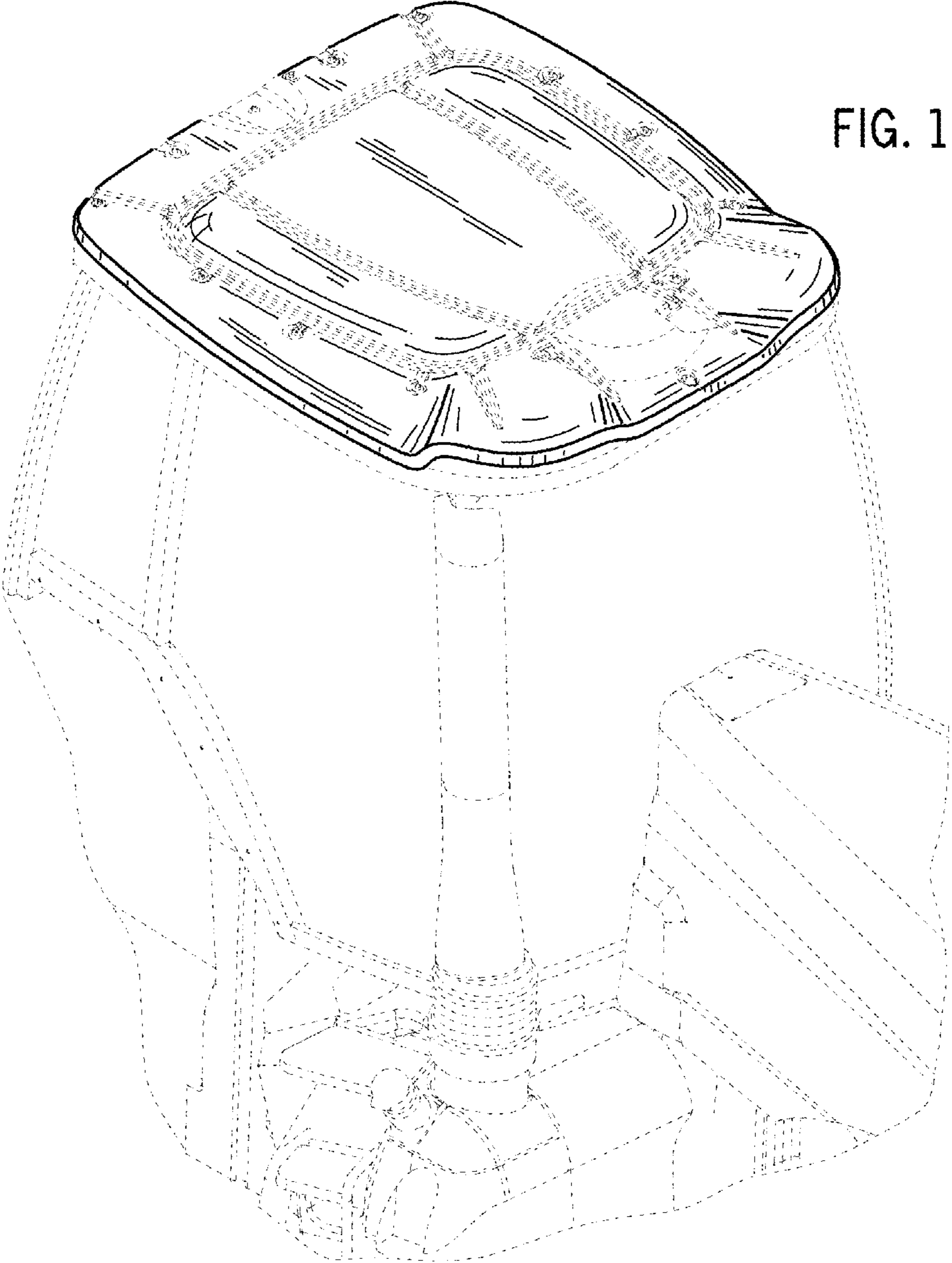


FIG. 1

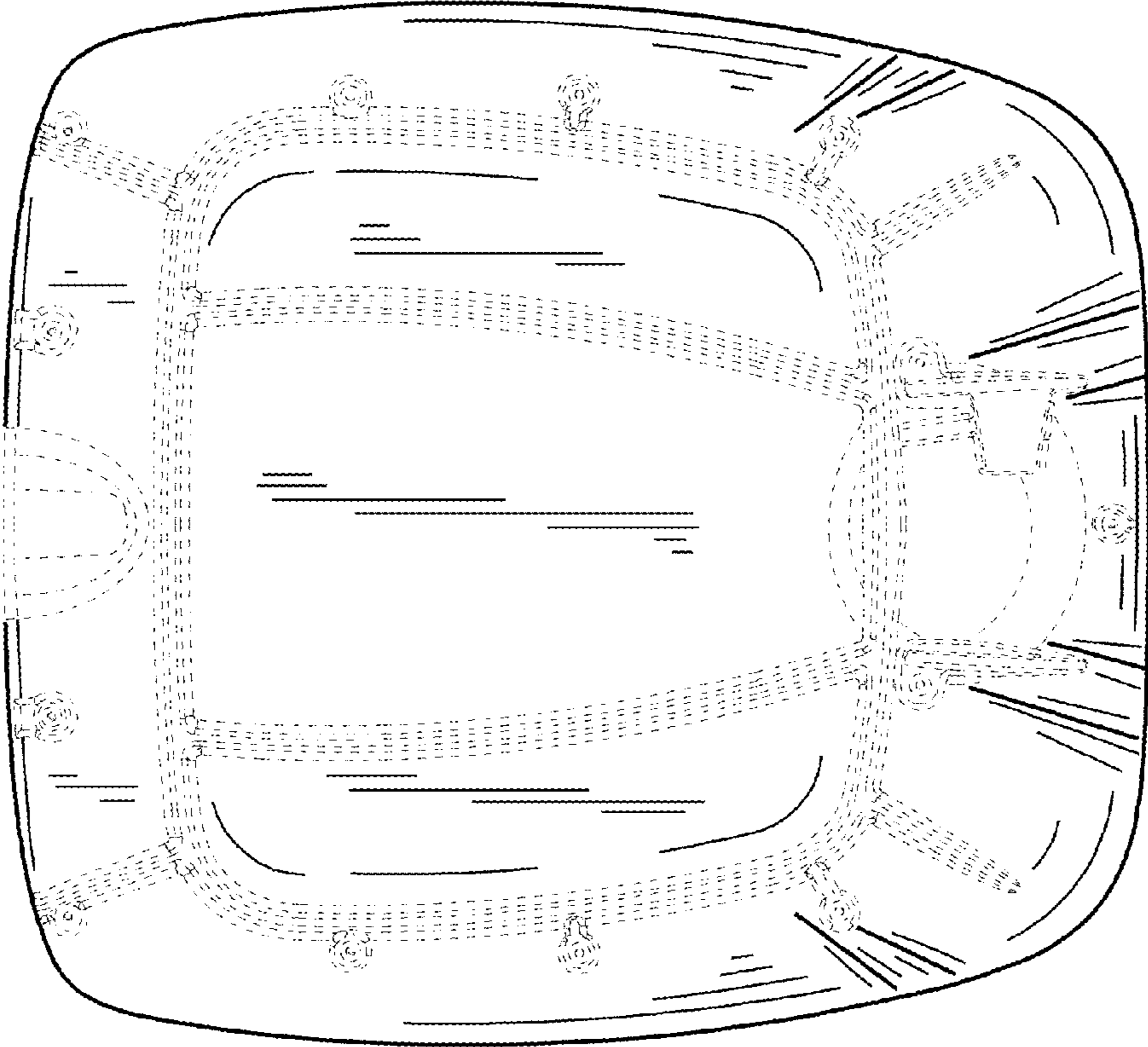


FIG. 2

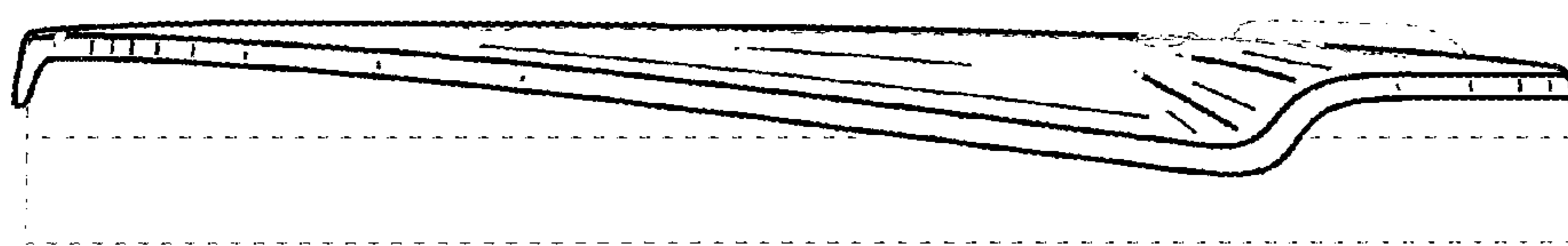


FIG. 3

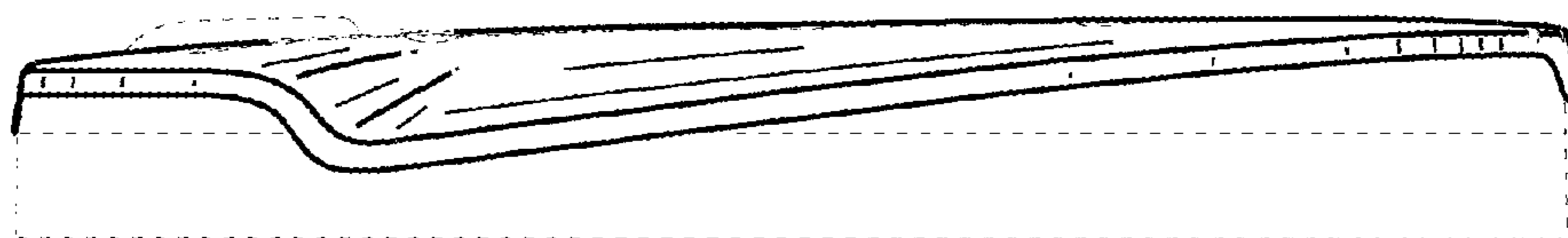


FIG. 4



FIG. 5

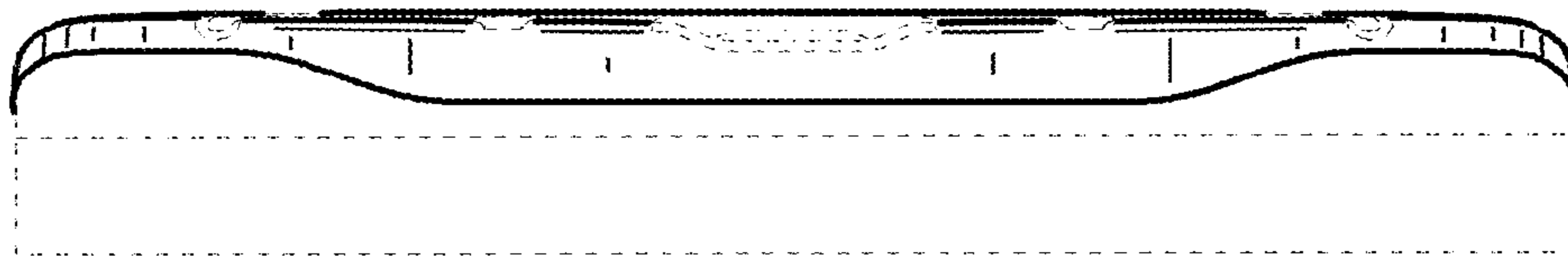


FIG. 6