



US00D720780S

(12) **United States Design Patent**  
**Chlystek et al.**

(10) **Patent No.:** **US D720,780 S**

(45) **Date of Patent:** **\*\* Jan. 6, 2015**

(54) **BATTERY COVER**

(71) Applicant: **CNH America, LLC**, New Holland, PA (US)

(72) Inventors: **Thomas Chlystek**, Darien, IL (US);  
**Jesse Gonzales**, Falls Church, VA (US);  
**Mark Klassen**, Lockport, IL (US); **John Schrepferman**, South Elgin, IL (US);  
**Phetsamone Siriphong**, South Elgin, IL (US)

(73) Assignee: **CNH Industrial America LLC**, New Holland, PA (US)

(\*\*) Term: **14 Years**

(21) Appl. No.: **29/471,136**

(22) Filed: **Oct. 29, 2013**

(51) **LOC (10) Cl.** ..... **15-03**

(52) **U.S. Cl.**  
USPC ..... **D15/28**

(58) **Field of Classification Search**  
USPC ..... D15/10, 22-28; D13/119; 180/68.5;  
296/37.6, 180.2, 37.1; 280/164.1  
See application file for complete search history.

(56) **References Cited**

U.S. PATENT DOCUMENTS

440,984	A	11/1890	Williams	
3,667,563	A	6/1972	Korb et al.	
D235,454	S *	6/1975	Lindow, Jr.	D13/119
4,074,786	A *	2/1978	Joubert	180/68.5
D252,354	S *	7/1979	Uyeda	D3/302
4,836,568	A	6/1989	Preslik et al.	
D310,658	S *	9/1990	Balek	D13/119
D326,967	S *	6/1992	Bardelang	D6/436
5,390,865	A *	2/1995	Vandermolen et al.	241/101.76
5,534,364	A *	7/1996	Watanabe et al.	429/61

5,547,036	A *	8/1996	Gawaskar et al.	180/68.5
5,607,794	A	3/1997	Koenig	
5,725,065	A *	3/1998	Knurr et al.	180/69.2
D422,557	S *	4/2000	Grace	D13/118
D440,984	S	4/2001	Norfleet	
D449,578	S	10/2001	Rogers	
6,340,191	B1	1/2002	Brady	
D470,104	S *	2/2003	Owen et al.	D13/119
D494,605	S *	8/2004	Calmer	D15/28
6,971,657	B2	12/2005	King et al.	
D566,134	S *	4/2008	Ito et al.	D15/11
7,350,610	B2 *	4/2008	Kikuchi	180/68.5
D602,862	S *	10/2009	Reed et al.	D13/119
7,722,066	B2 *	5/2010	O'Bireck et al.	280/164.1
7,988,167	B2 *	8/2011	Sakitani et al.	280/163
D684,535	S *	6/2013	McDonald et al.	D13/119

\* cited by examiner

*Primary Examiner* — Mark Goodwin

(74) *Attorney, Agent, or Firm* — Sue C. Watson

(57) **CLAIM**

The ornamental design for a battery cover, as shown and described.

**DESCRIPTION**

FIG. 1 is a perspective view of the battery cover according to one aspect of the present invention.

FIG. 2 is a top view of the battery cover illustrated in FIG. 1.

FIG. 3 is a bottom view of the battery cover illustrated in FIG. 1.

FIG. 4 is a front view of the battery cover illustrated in FIG. 1.

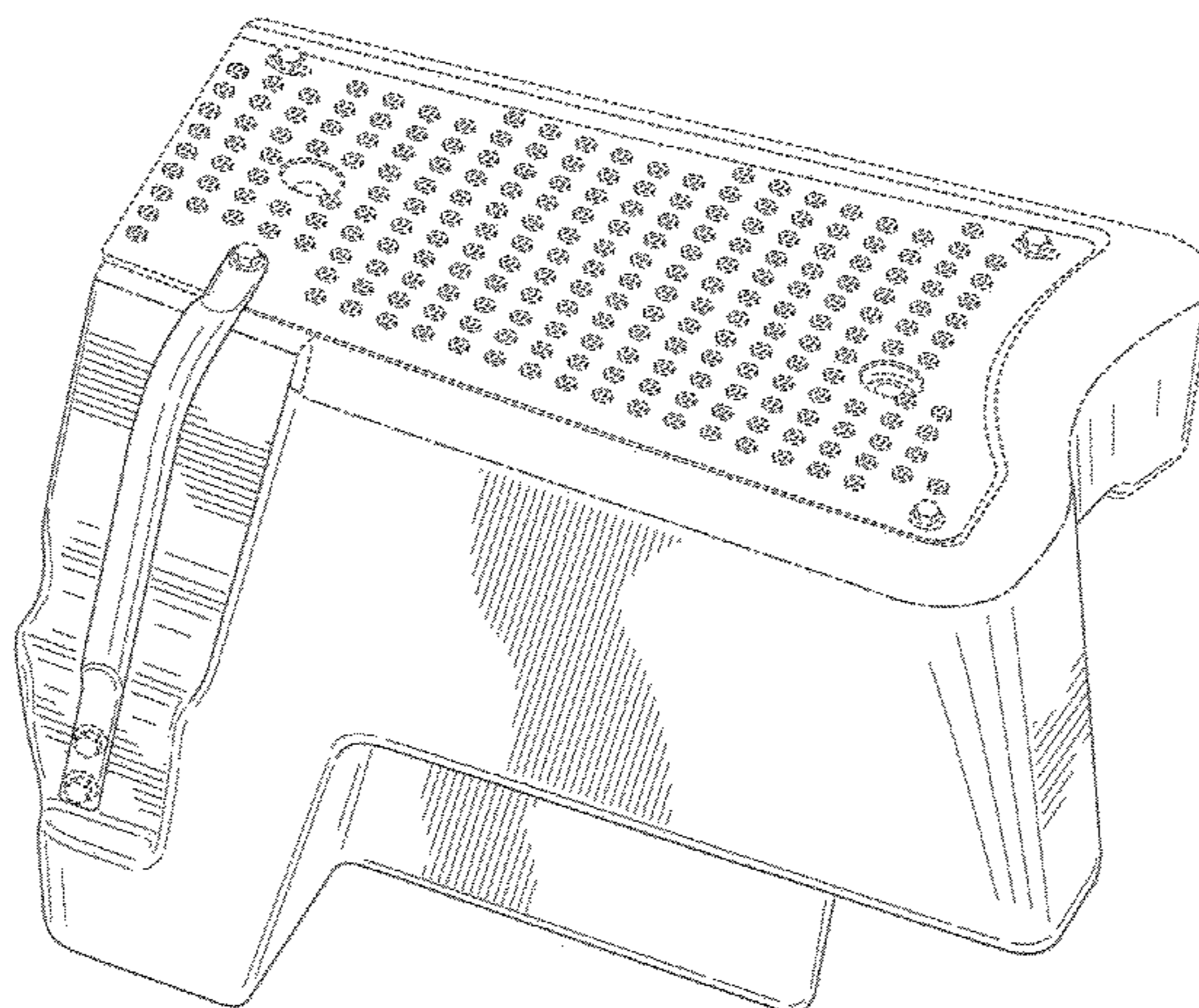
FIG. 5 is a rear view of the battery cover illustrated in FIG. 1.

FIG. 6 is a first side view of the battery cover illustrated in FIG. 1; and,

FIG. 7 is a bottom view of the battery cover illustrated in FIG. 1.

The surface shading and broken lines shown in FIGS. 1-7 represent portions of the battery cover that form no part of the claimed design.

**1 Claim, 7 Drawing Sheets**



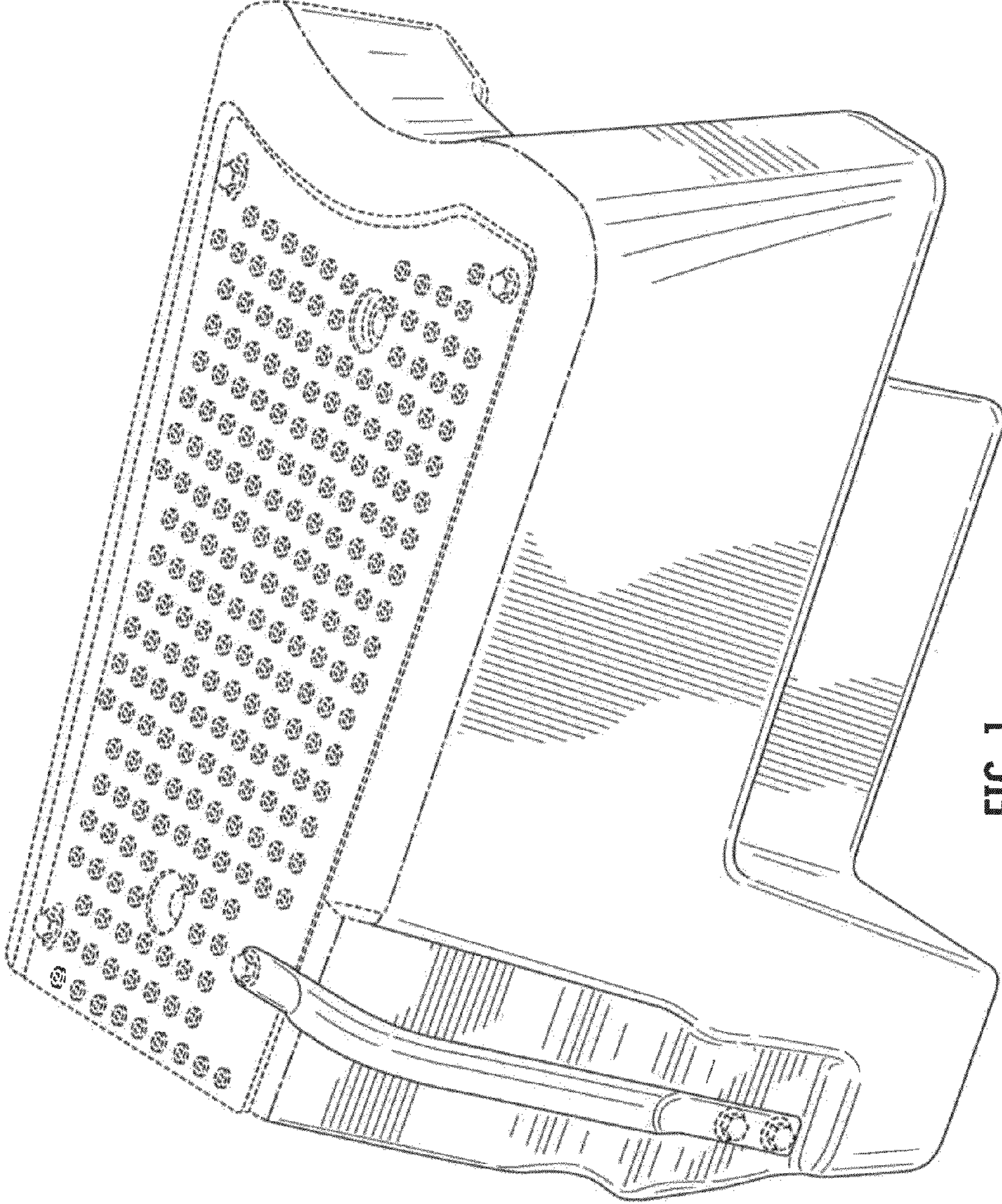


FIG. 1

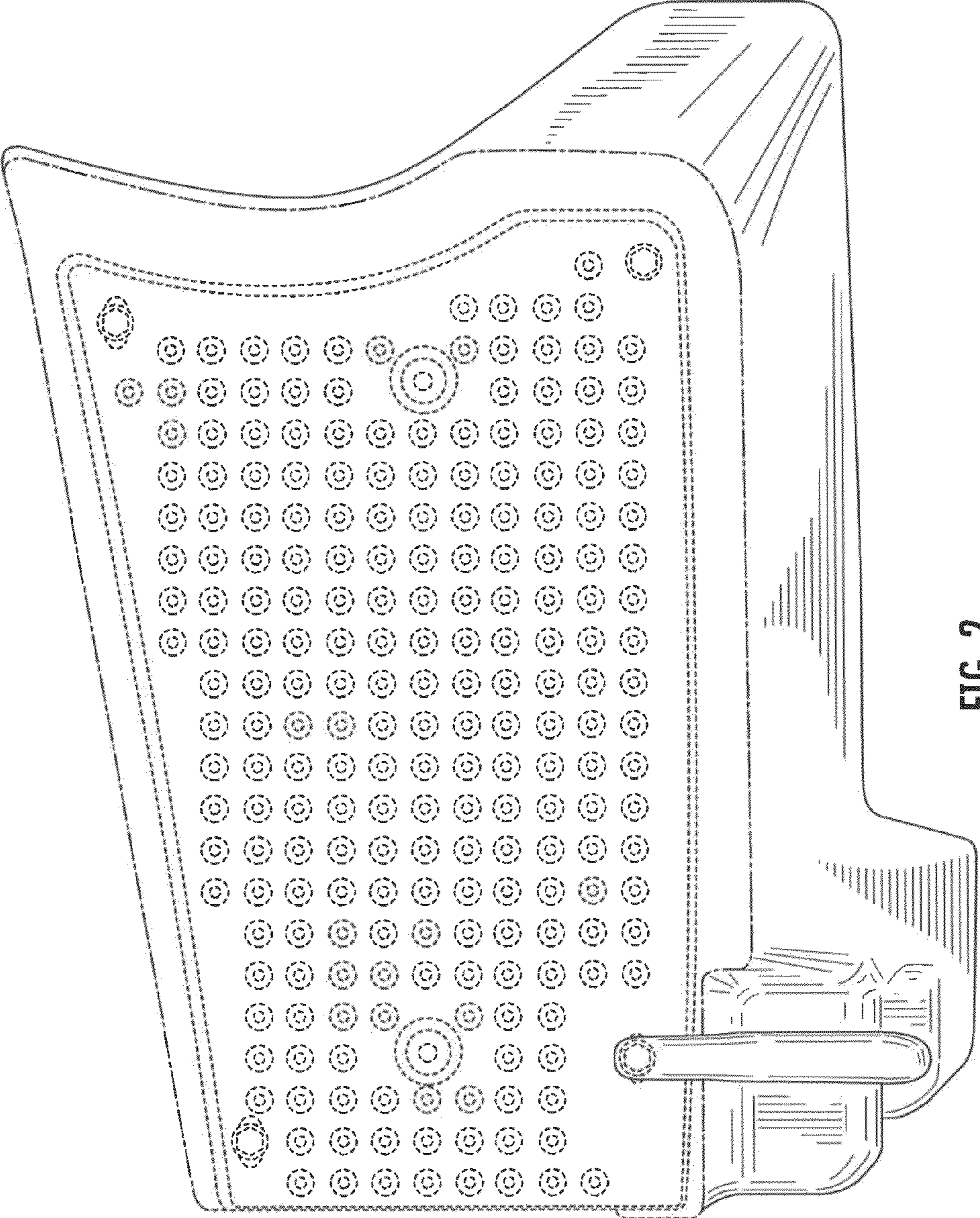


FIG. 2

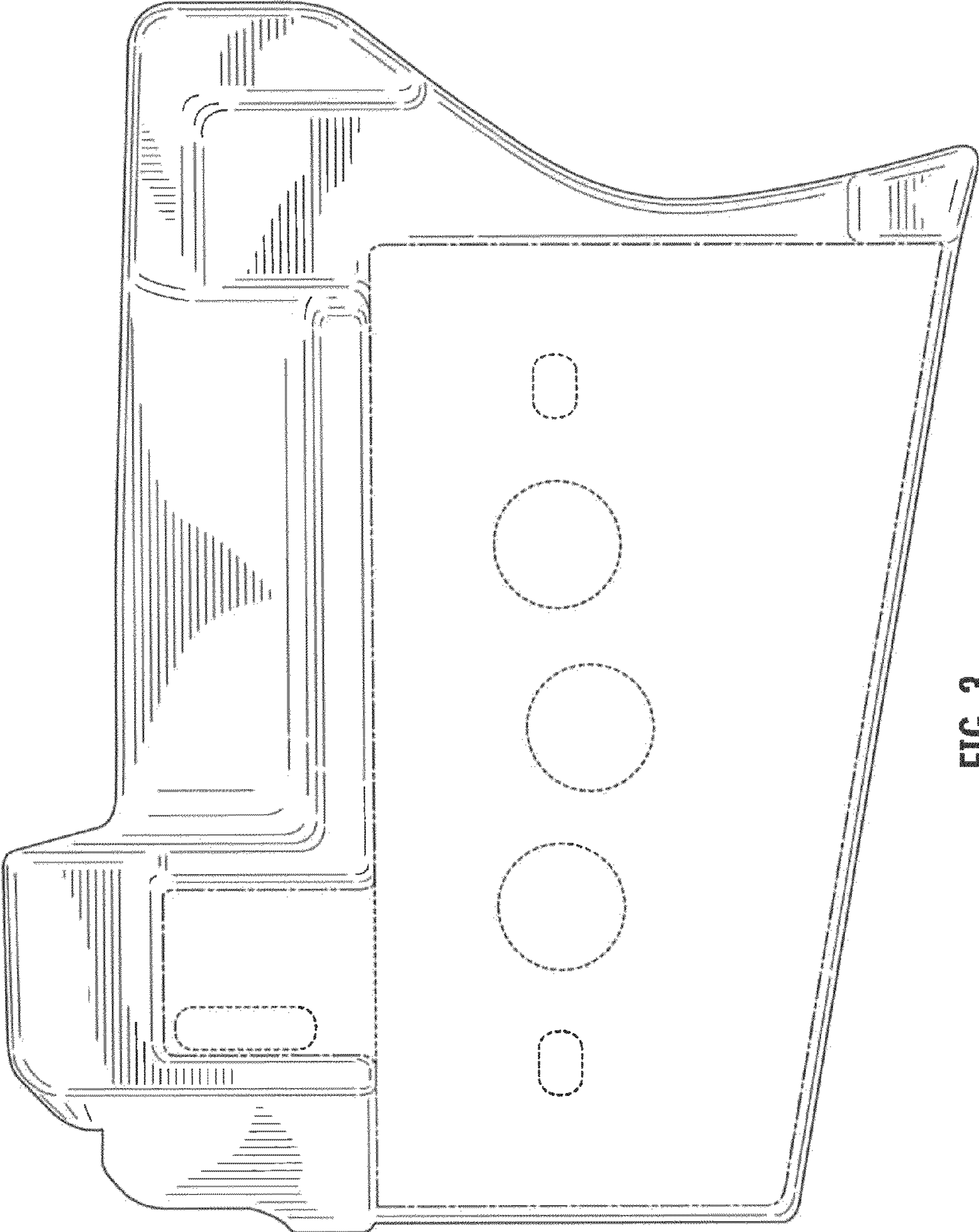


FIG. 3

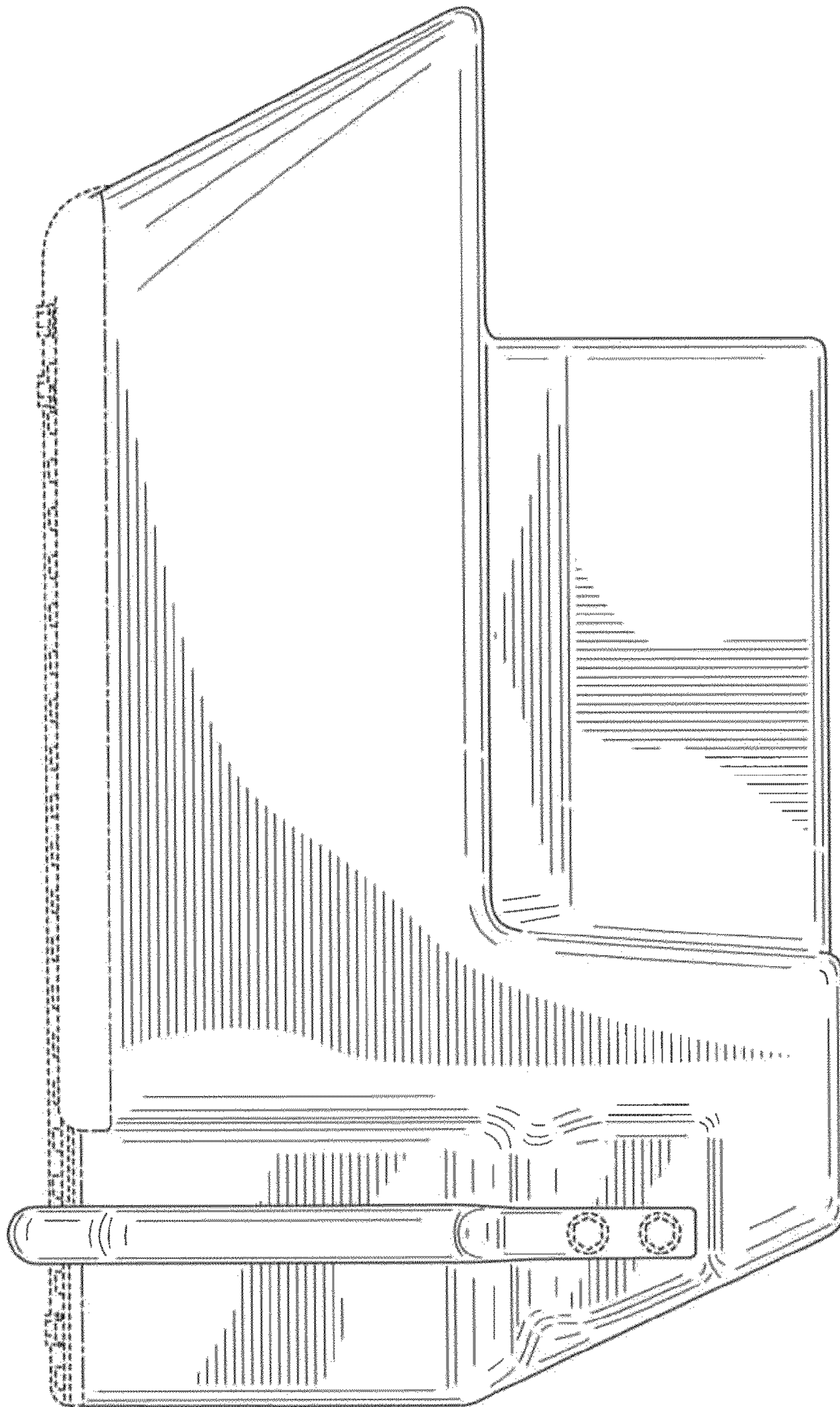


FIG. 4

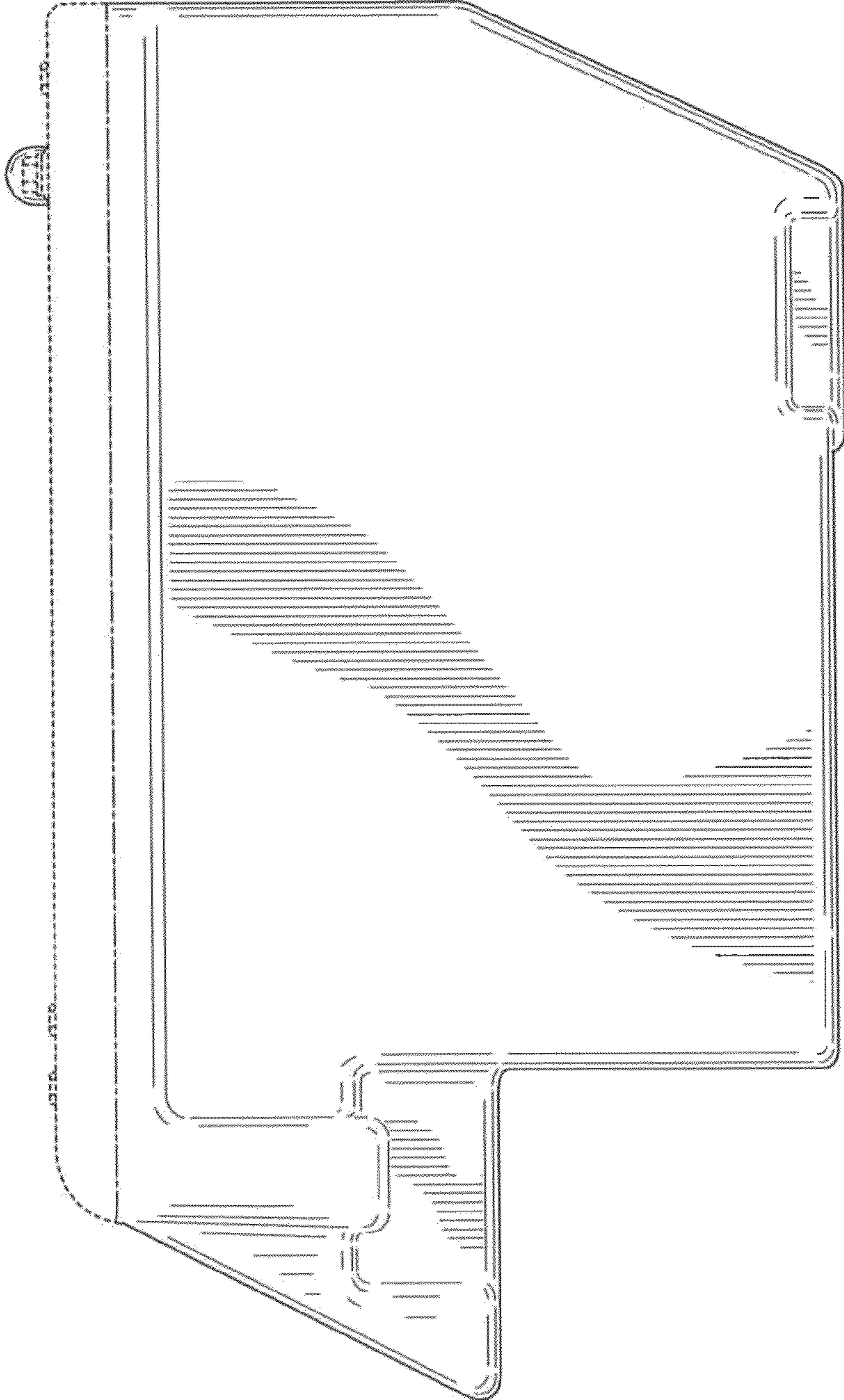


FIG. 5

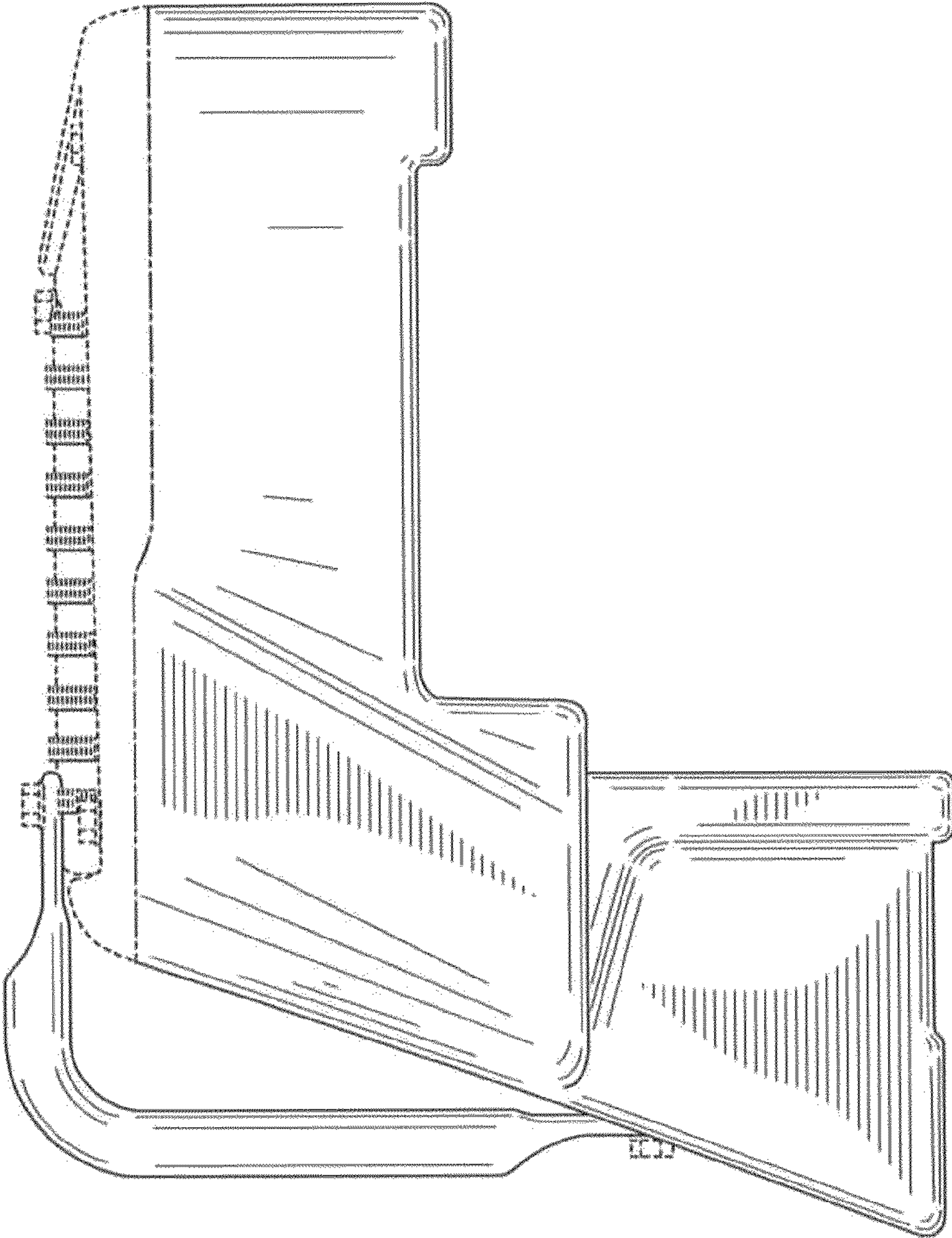


FIG. 6

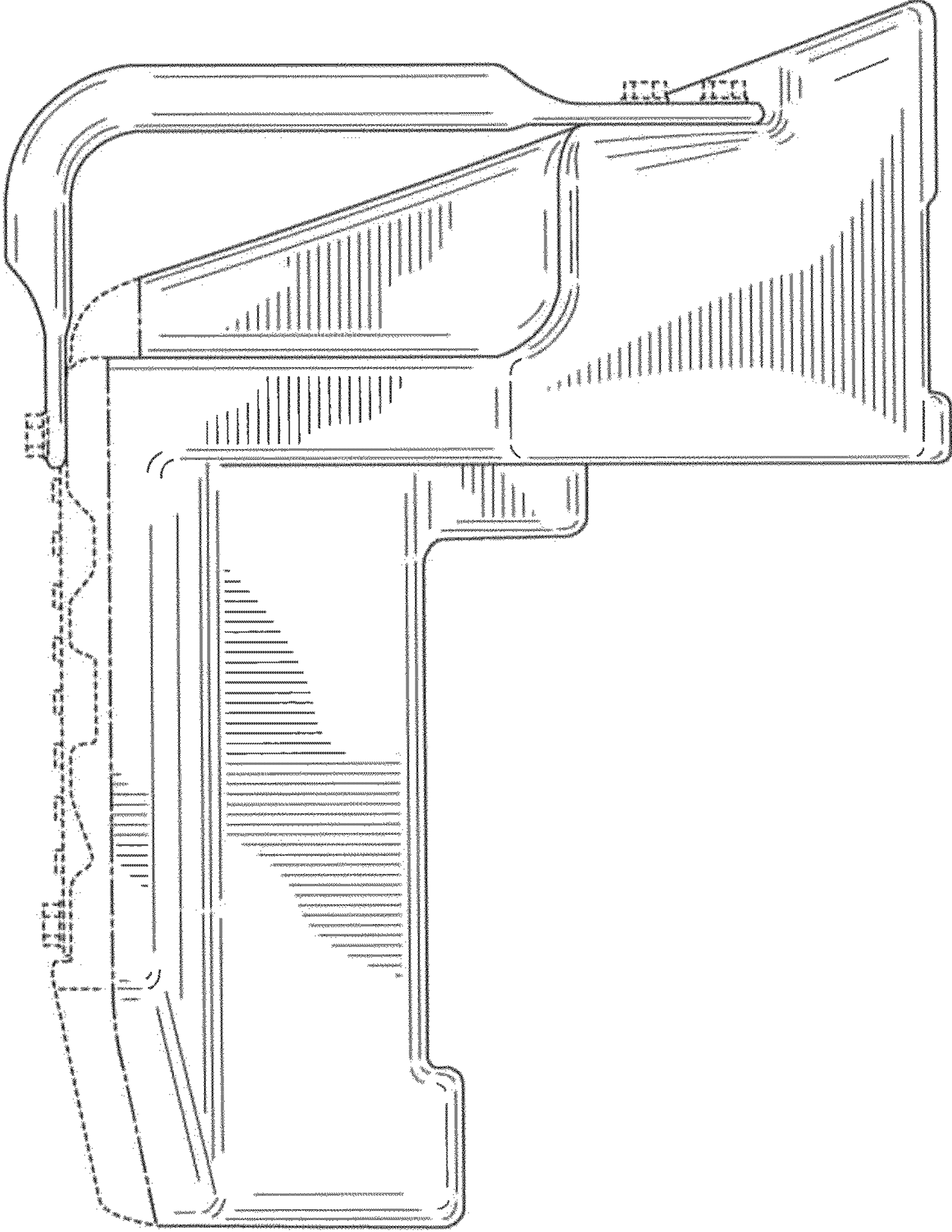


FIG. 7