



US00D720779S

(12) **United States Design Patent**  
**Loew et al.**

(10) **Patent No.:** **US D720,779 S**  
(45) **Date of Patent:** **\*\* Jan. 6, 2015**

(54) **TANDEM ROLLER**  
(71) Applicant: **BOMAG GmbH**, Boppard (DE)  
(72) Inventors: **Roland Loew**, Klein-Winterheim (DE);  
**Theo Doetsch**, Koblenz (DE)  
(73) Assignee: **BOMAG GmbH**, Boppard (DE)  
(\*\*) Term: **14 Years**  
(21) Appl. No.: **29/497,211**  
(22) Filed: **Jul. 22, 2014**

(30) **Foreign Application Priority Data**  
Jan. 24, 2014 (EM) ..... 002391128-0013  
(51) **LOC (10) Cl.** ..... **15-03**  
(52) **U.S. Cl.**  
USPC ..... **D15/20**; D15/22  
(58) **Field of Classification Search**  
USPC ..... D15/10, 20, 22, 23; 180/20, 89.1,  
180/89.12; 404/122, 125, 132, 117, 124  
See application file for complete search history.

(56) **References Cited**  
U.S. PATENT DOCUMENTS  
D185,841 S \* 8/1959 Schertzer ..... D15/20  
D194,350 S \* 1/1963 Peterson ..... D15/20

D207,532 S \* 5/1967 Garis et al. .... D15/20  
D275,678 S \* 9/1984 Mawhorr et al. .... D15/20  
D396,431 S \* 7/1998 Lindgren et al. .... D12/14  
D516,094 S \* 2/2006 Dotsch et al. .... D15/20  
D668,269 S \* 10/2012 Tezuka et al. .... D15/20  
D668,694 S \* 10/2012 Tezuka et al. .... D15/31  
D676,463 S \* 2/2013 Ewringmann et al. .... D15/20

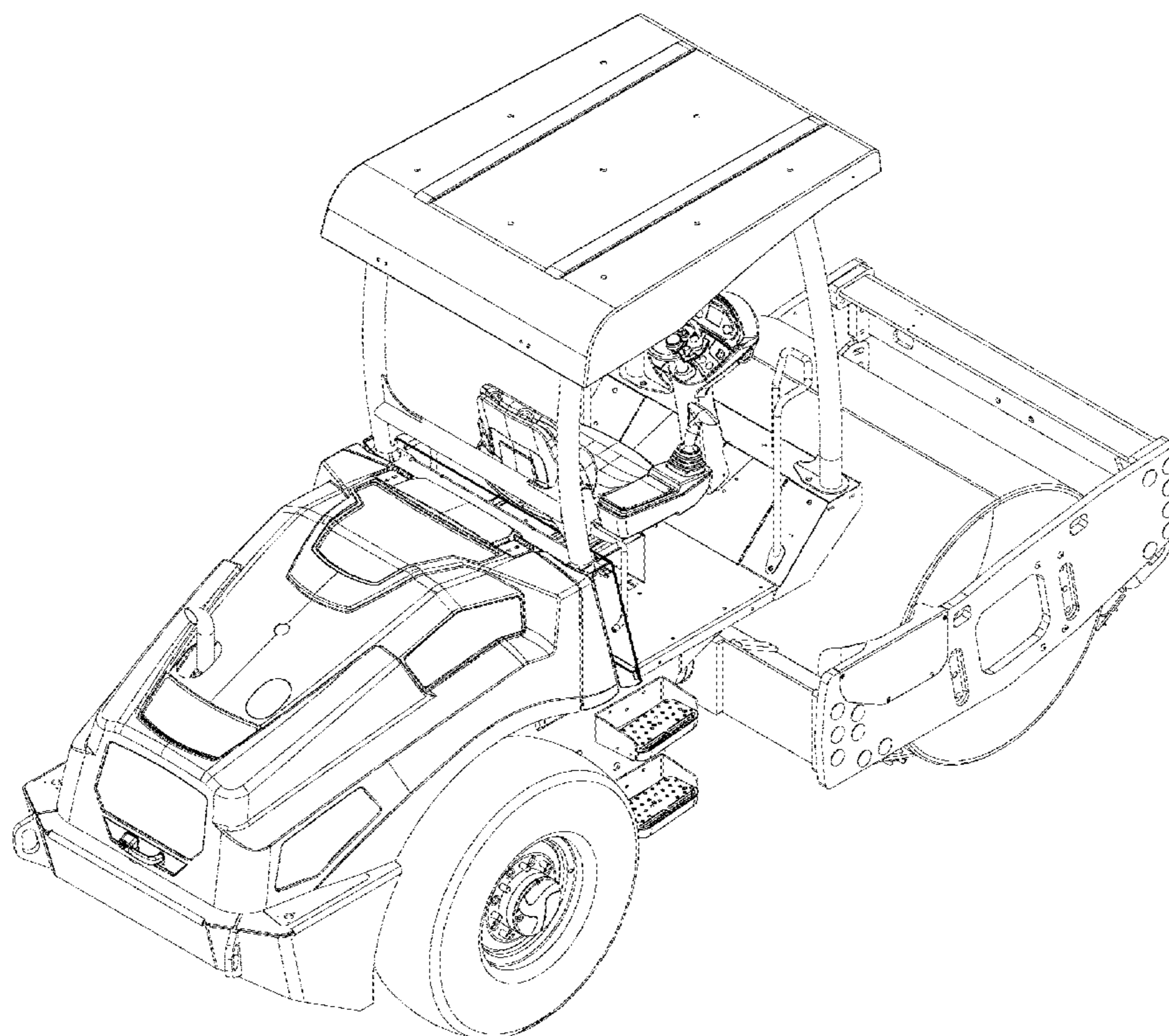
\* cited by examiner

*Primary Examiner* — Mark Goodwin  
(74) *Attorney, Agent, or Firm* — Wood, Herron & Evans,  
LLP

(57) **CLAIM**  
The ornamental design for a tandem roller, as shown and  
described.

**DESCRIPTION**  
FIG. 1 is a rear isometric view of a tandem roller showing our  
new design;  
FIG. 2 is a front isometric view thereof;  
FIG. 3 is a front elevational view thereof;  
FIG. 4 is a rear elevational view thereof;  
FIG. 5 is a right side elevational view thereof;  
FIG. 6 is a left side elevational view thereof; and,  
FIG. 7 is a top plan view thereof.  
The bottom view forms no part of the claimed design.

**1 Claim, 7 Drawing Sheets**



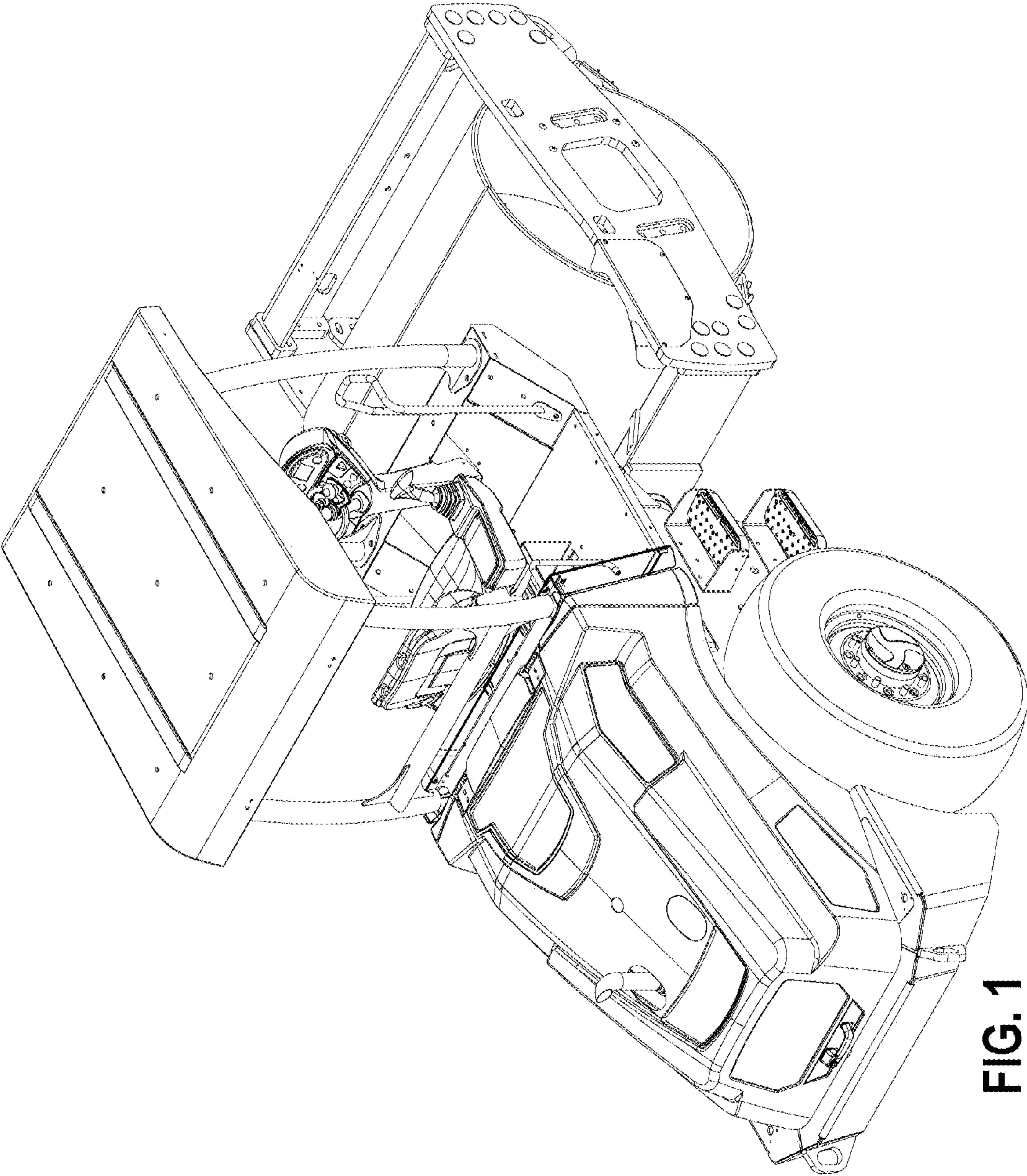


FIG. 1



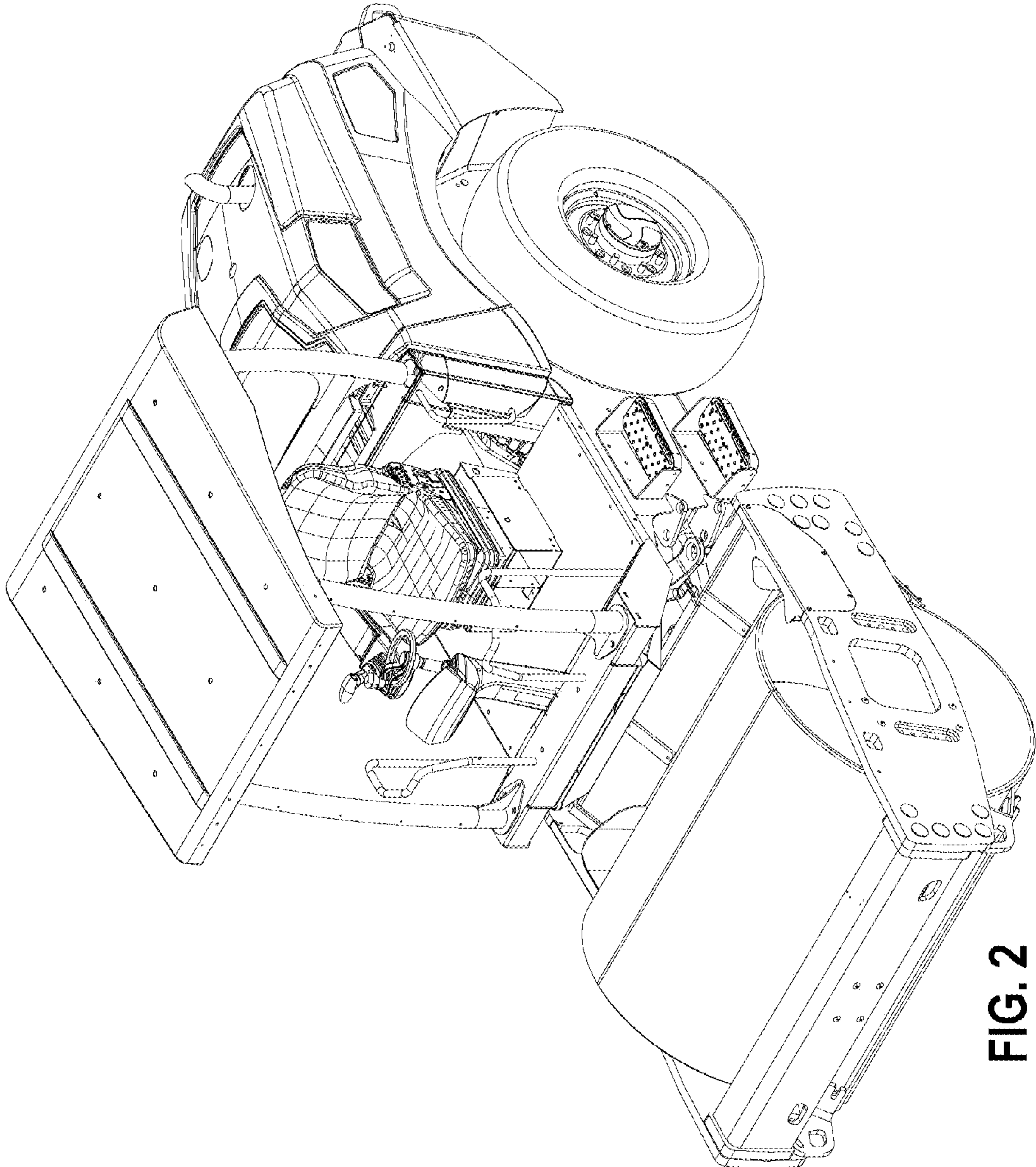


FIG. 2

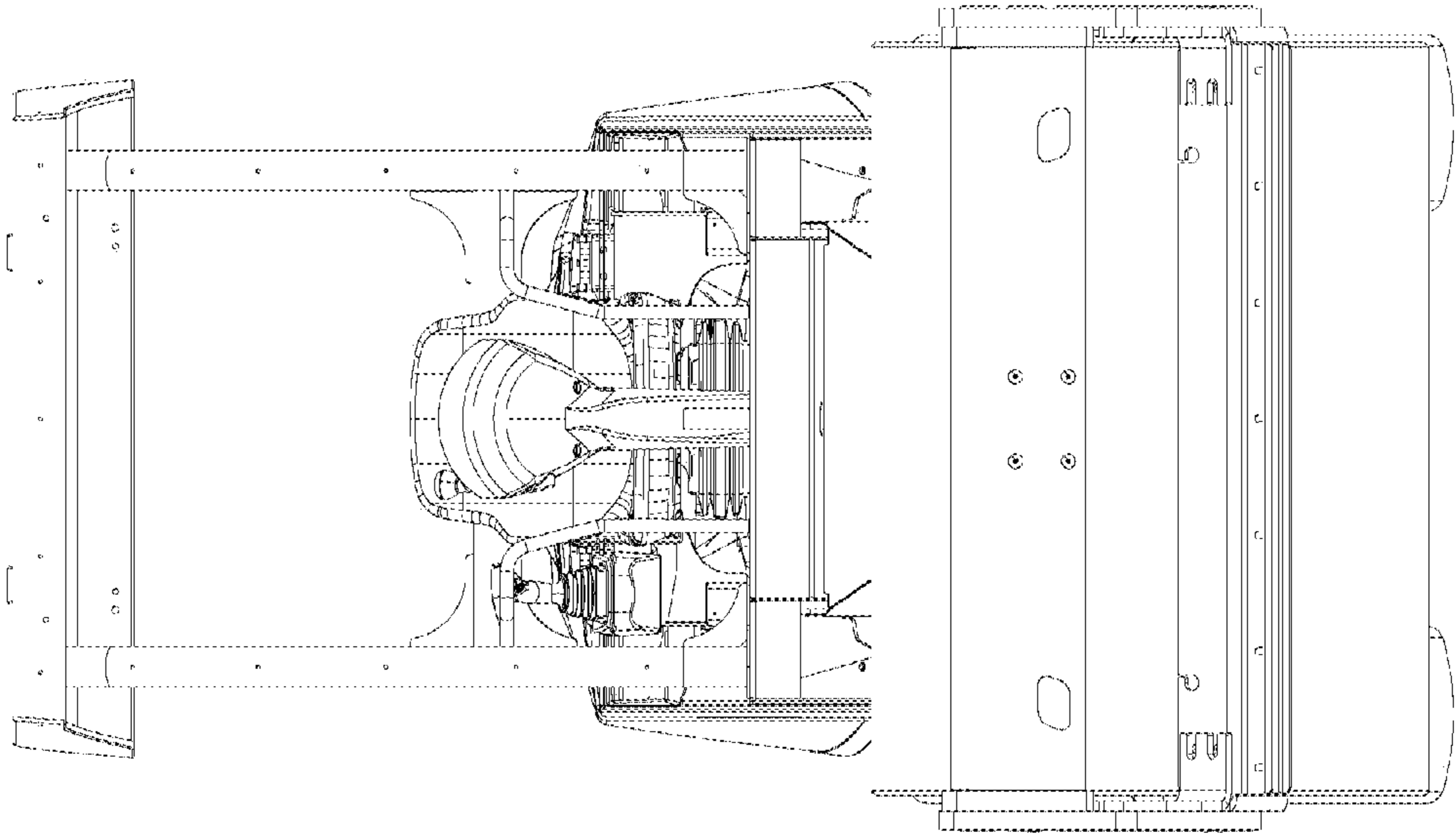


FIG. 3

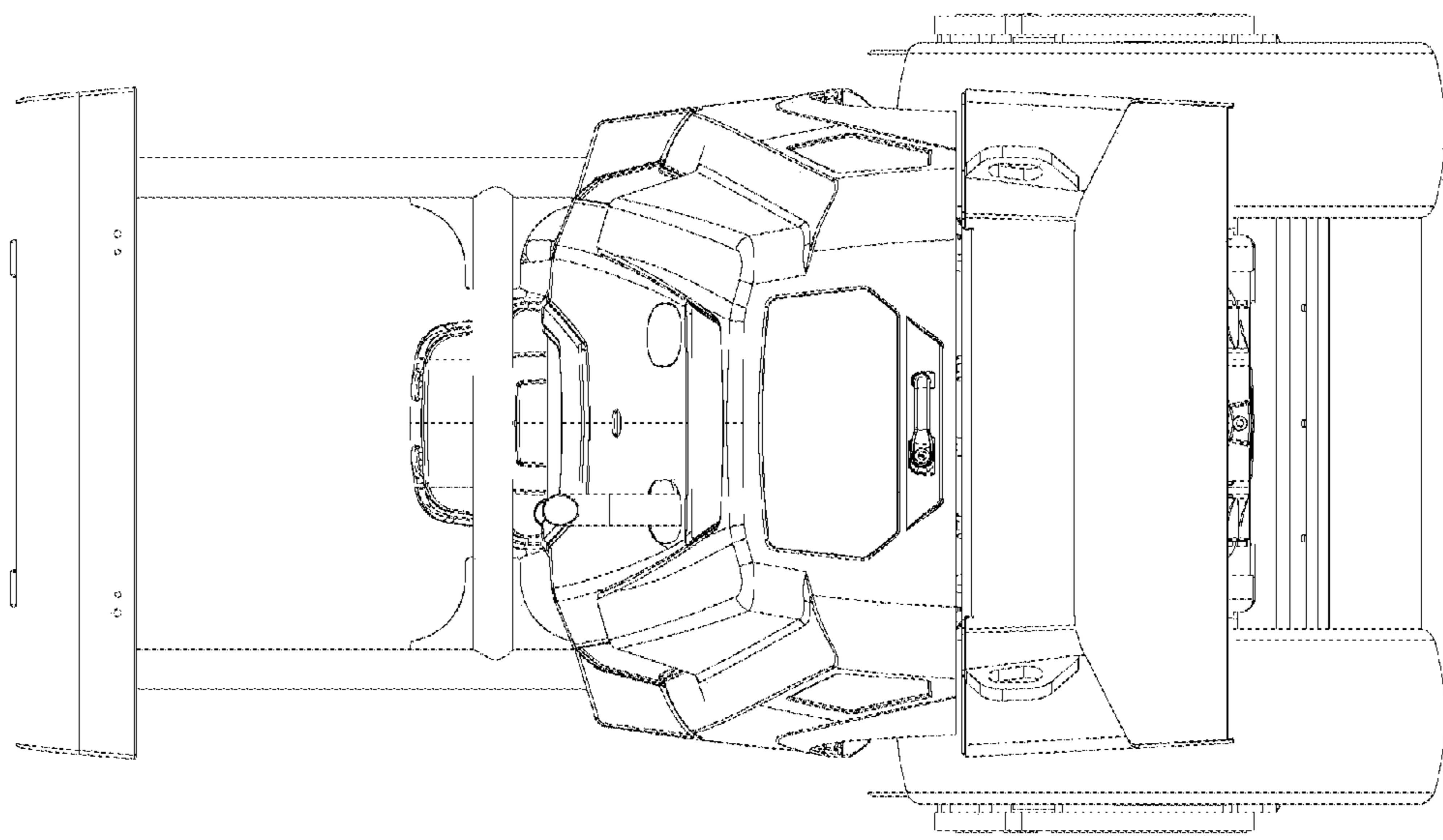


FIG. 4

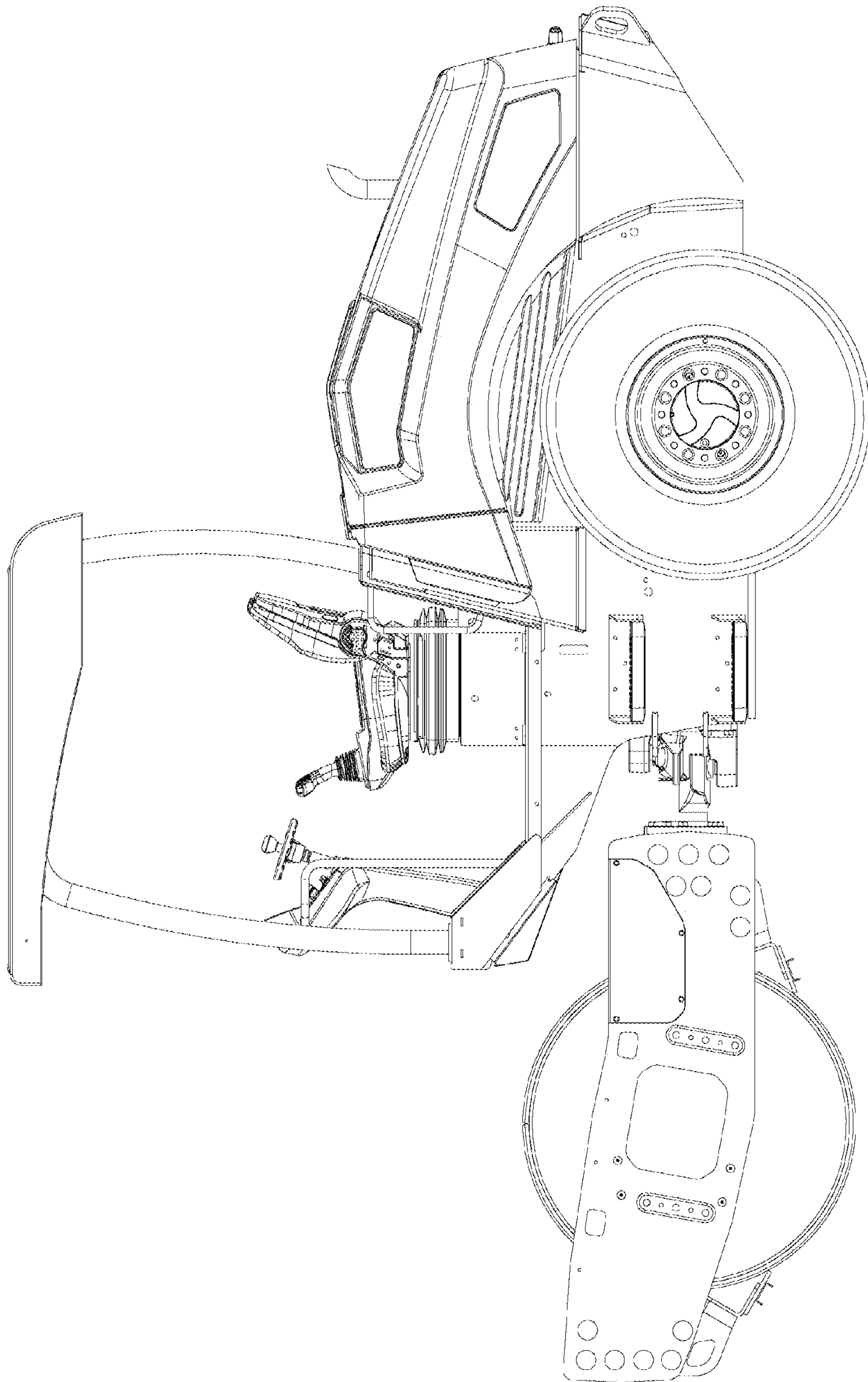


FIG. 5



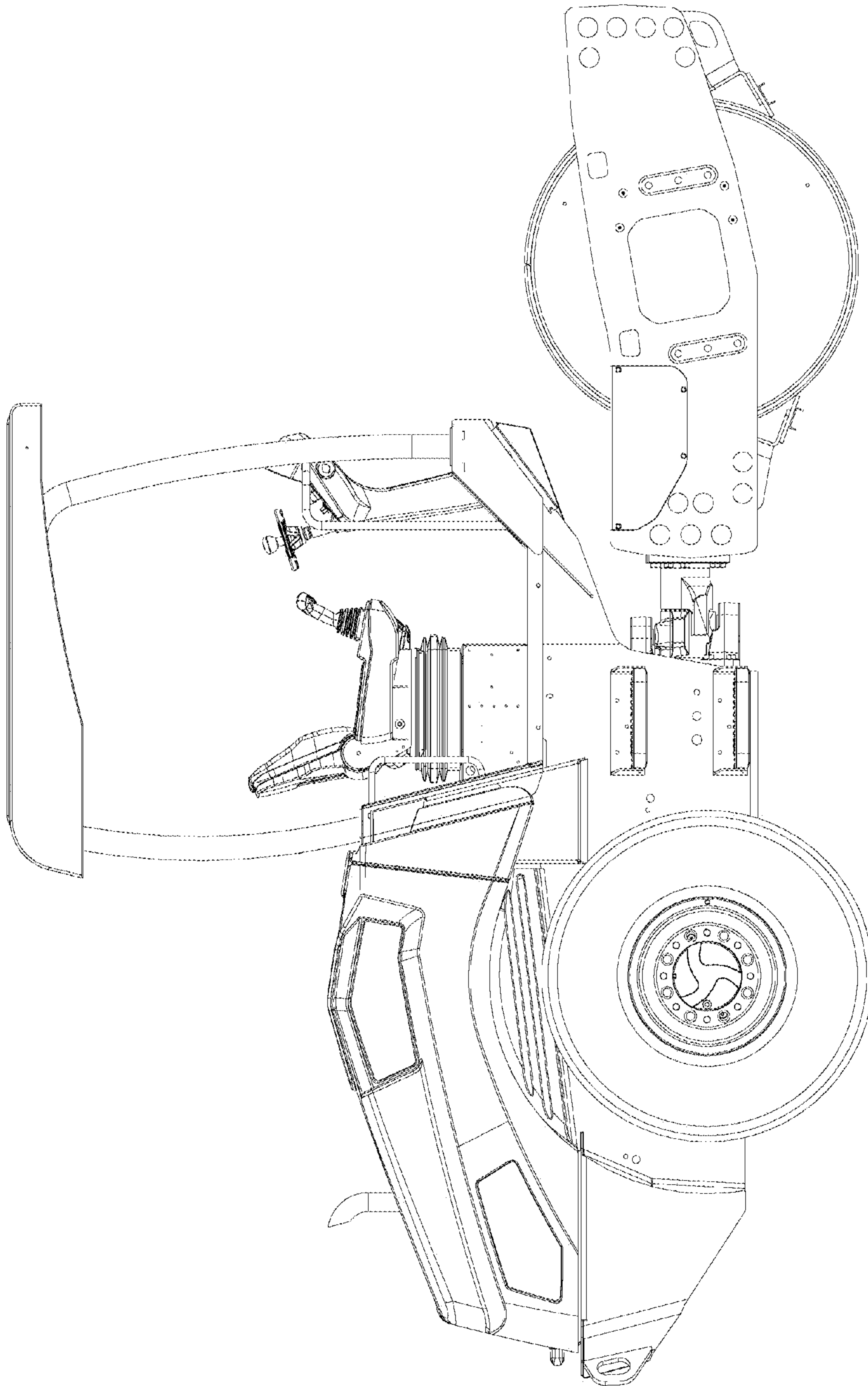


FIG. 6

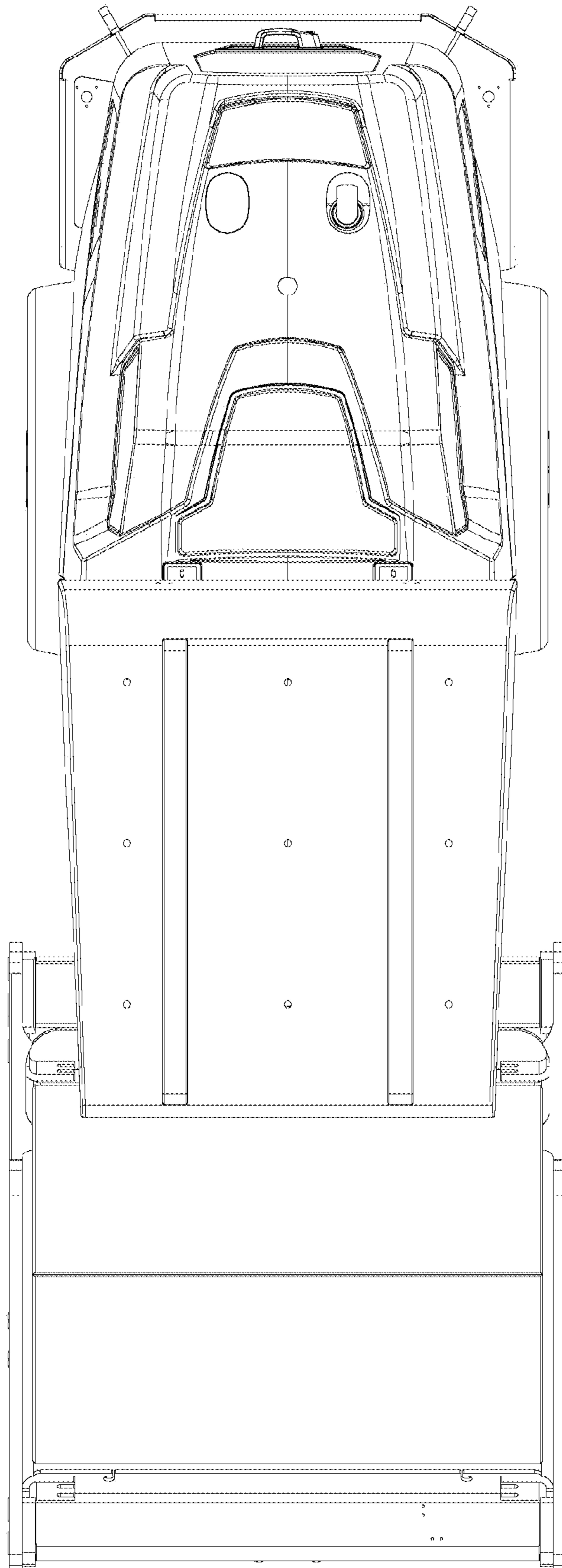


FIG. 7