



US00D720774S

(12) **United States Design Patent**
Swanson et al.

(10) **Patent No.:** **US D720,774 S**
(45) **Date of Patent:** **** *Jan. 6, 2015**

(54) **ADAPTER FOR A MODULAR VISCOUS FAN CLUTCH SYSTEM**

(71) Applicant: **Kit Masters**, Perham, MN (US)

(72) Inventors: **Craig Swanson**, Perham, MN (US);
Dale Scherman, Perham, MN (US)

(73) Assignee: **Kit Masters**, Perham, MN (US)

(*) Notice: This patent is subject to a terminal disclaimer.

(**) Term: **14 Years**

(21) Appl. No.: **29/467,154**

(22) Filed: **Sep. 16, 2013**

Related U.S. Application Data

(63) Continuation of application No. 13/843,703, filed on Mar. 15, 2013.

(51) **LOC (10) Cl.** **15-01**

(52) **U.S. Cl.**
USPC **D15/5**

(58) **Field of Classification Search**
USPC D15/1-6; D8/330, 331, 382, 387, 396;
123/41.12; 192/82 T, 84 C, 58.61, 58.8;
476/11; 29/592.1, 889.1, 889.3,
29/402.09, 804.08, 402.12, 402.14, 469,
29/428; 74/325

See application file for complete search history.

(56) **References Cited**

U.S. PATENT DOCUMENTS

D311,131 S *	10/1990	Saito	D8/397
7,165,514 B2 *	1/2007	Bowman et al.	123/41.12
2004/0110594 A1 *	6/2004	Goto	475/150
2007/0023248 A1 *	2/2007	Nguyen et al.	192/43
2013/0014617 A1 *	1/2013	Kafka	81/125
2013/0199886 A1 *	8/2013	Heath et al.	192/104 R

OTHER PUBLICATIONS

- U.S. Appl. No. 29/467,160, filed Sep. 16, 2013, Swanson, et al.
- U.S. Appl. No. 29/467,163, filed Sep. 16, 2013, Swanson, et al.
- U.S. Appl. No. 29/467,162, filed Sep. 16, 2013, Swanson, et al.
- U.S. Appl. No. 29/467,165, filed Sep. 16, 2013, Swanson, et al.
- U.S. Appl. No. 29/467,164, filed Sep. 16, 2013, Swanson, et al.
- U.S. Appl. No. 29/467,167, filed Sep. 16, 2013, Swanson, et al.
- U.S. Appl. No. 29/467,156, filed Sep. 16, 2013, Swanson, et al.
- U.S. Appl. No. 29/467,151, filed Sep. 16, 2013, Swanson, et al.
- U.S. Appl. No. 29/467,154, filed Sep. 16, 2013, Swanson, et al.
- U.S. Appl. No. 29/467,161, filed Sep. 16, 2013, Swanson, et al.

* cited by examiner

Primary Examiner — T. Chase Nelson

Assistant Examiner — Ania Aman

(74) *Attorney, Agent, or Firm* — Oblon, Spivak, McClelland, Maier & Neustadt, L.L.P.

(57) **CLAIM**

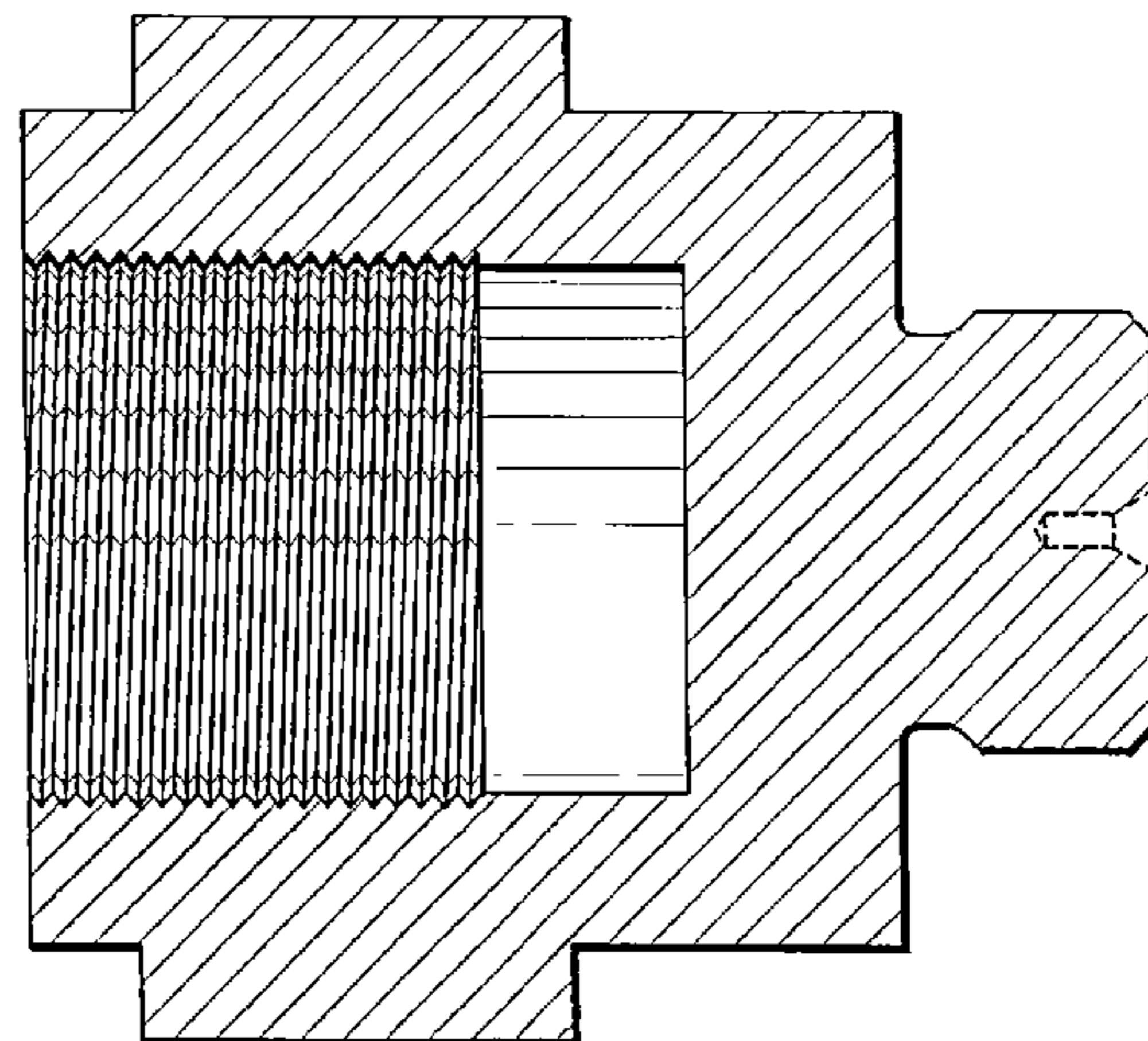
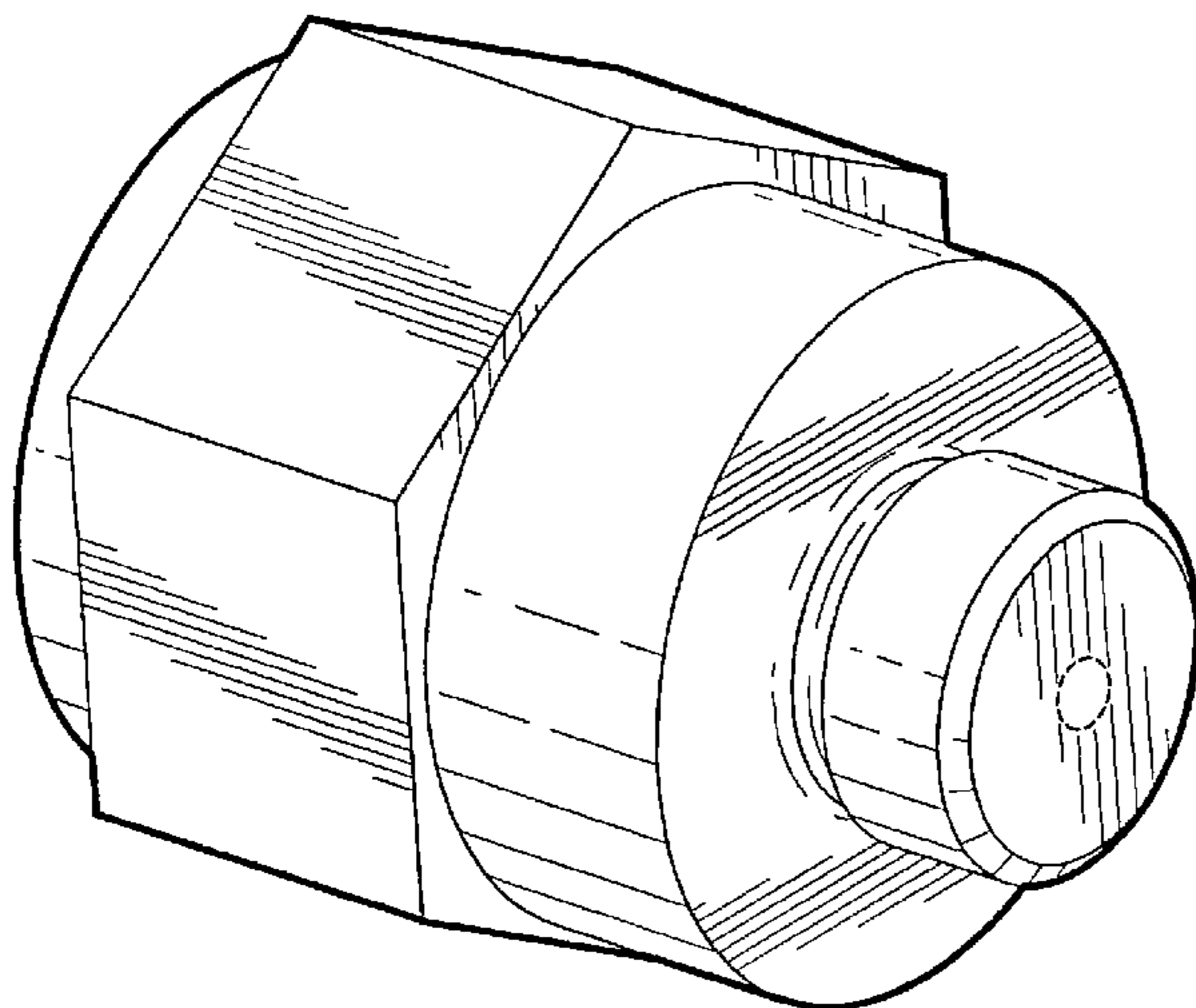
The ornamental design for an adapter for a modular viscous fan clutch system, as shown and described.

DESCRIPTION

FIG. 1 is a perspective view of an adapter for a modular viscous fan clutch system;
 FIG. 2 is a front elevational view thereof;
 FIG. 3 is a rear elevational view thereof;
 FIG. 4 is a left side elevational view thereof, the right side elevational view thereof being a mirror image of the left side elevational view;
 FIG. 5 is a top plan view thereof, the bottom plan view thereof being a mirror image of the top plan view; and,
 FIG. 6 is a cross-sectional view thereof along the line 6-6 in FIG. 2.

The broken lines in the drawings depict environmental subject matter only and form no part of the claimed design.

1 Claim, 6 Drawing Sheets



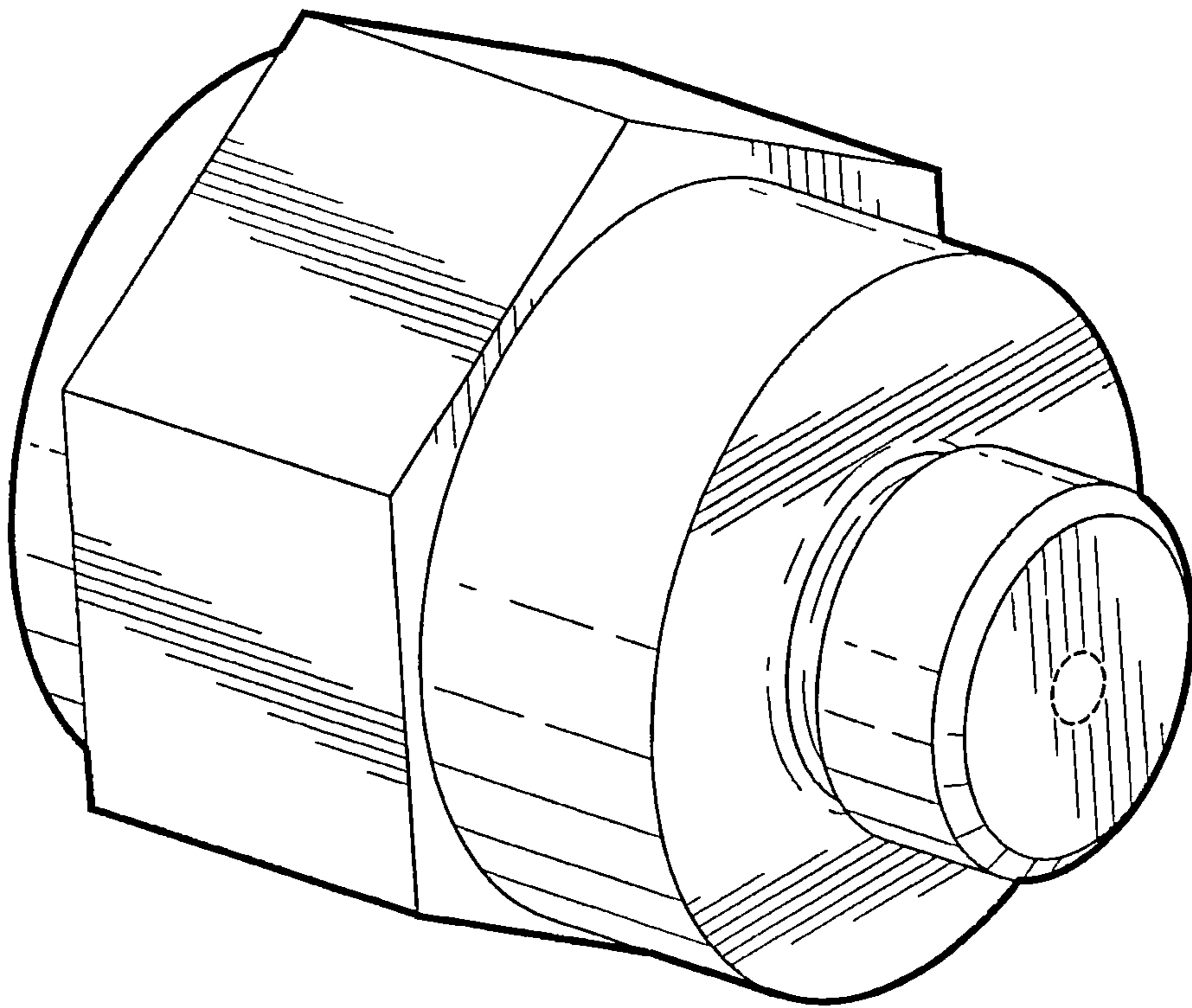


Fig. 1

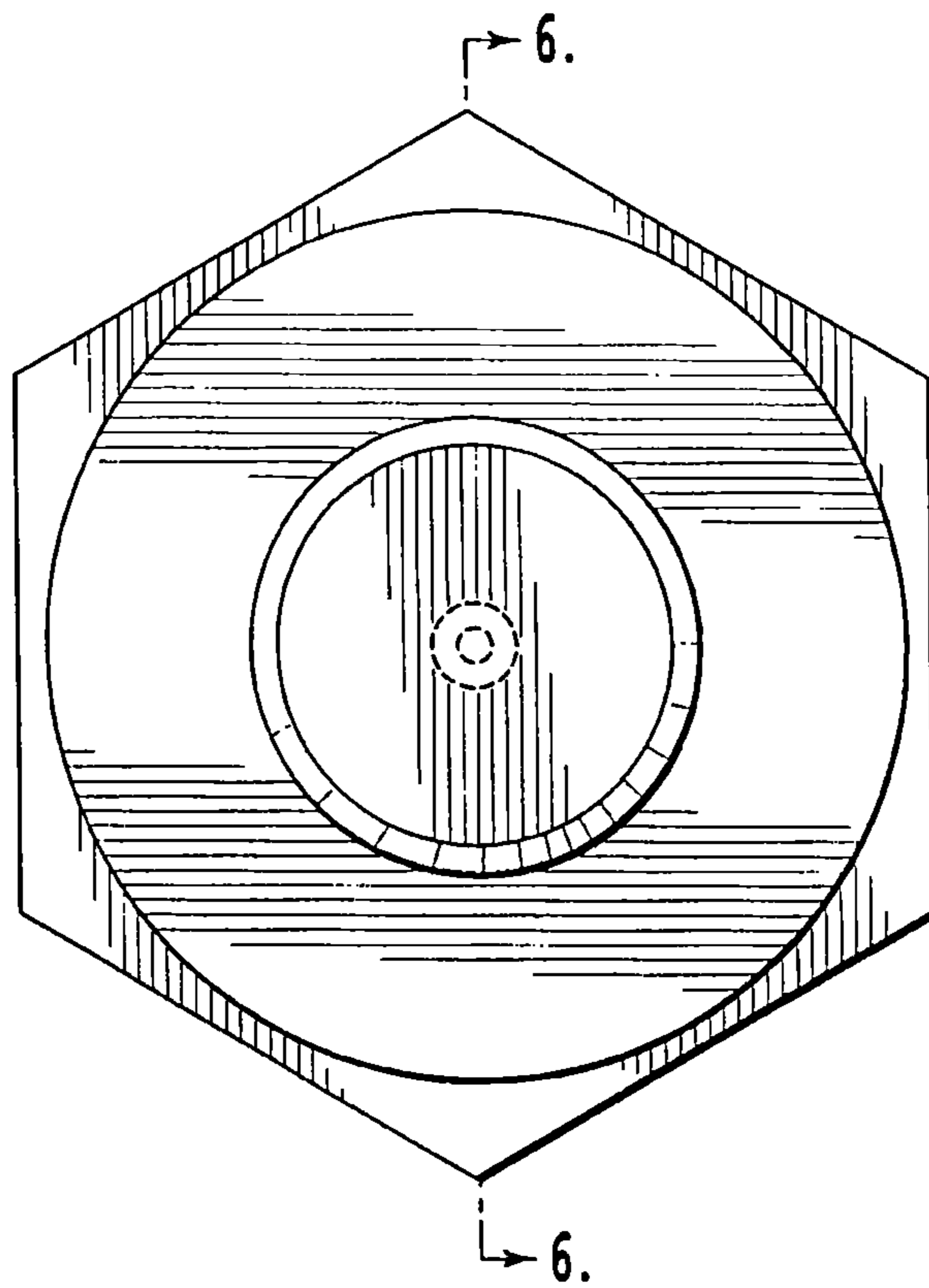


Fig. 2

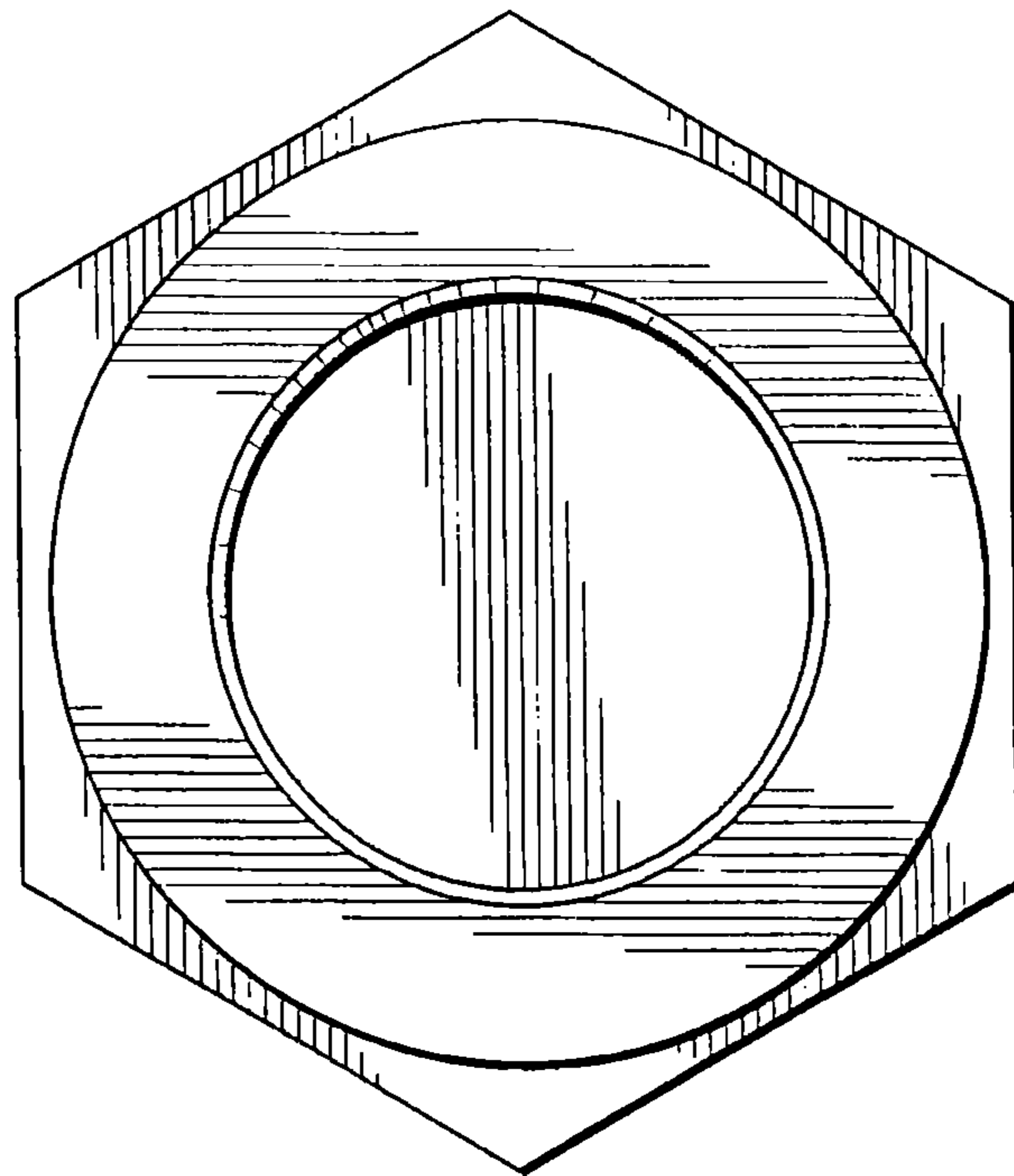


Fig. 3

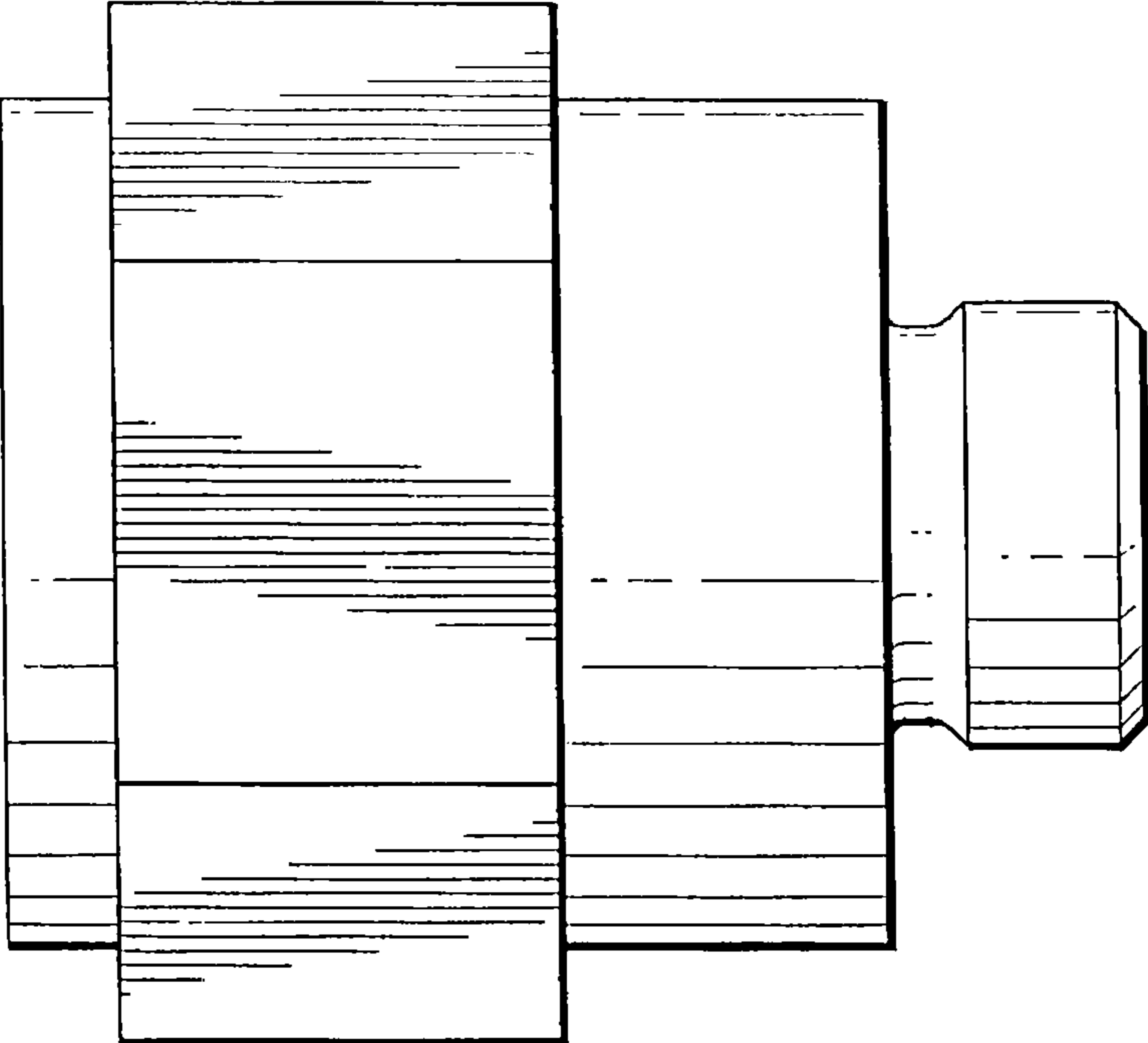


Fig. 4

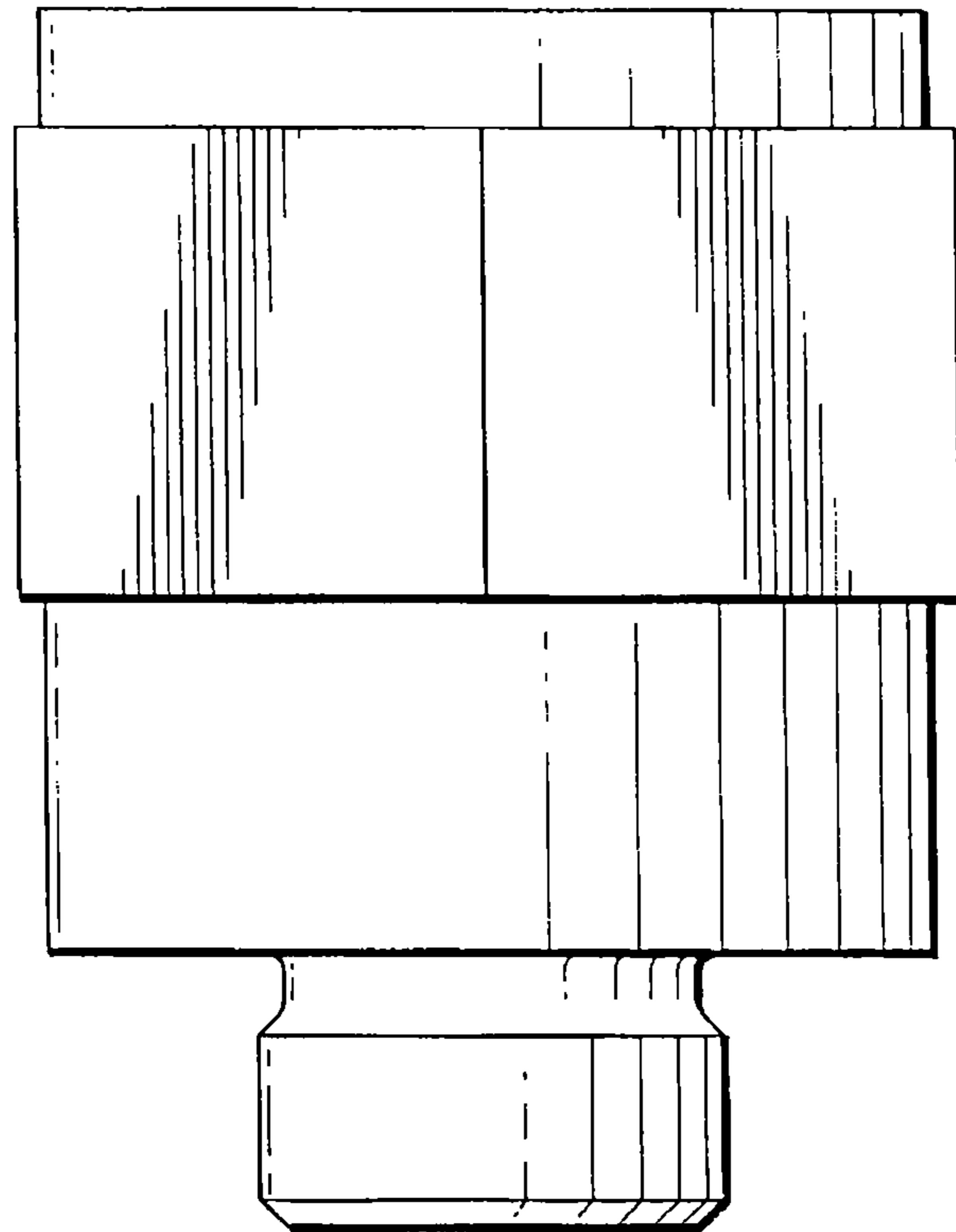


Fig. 5

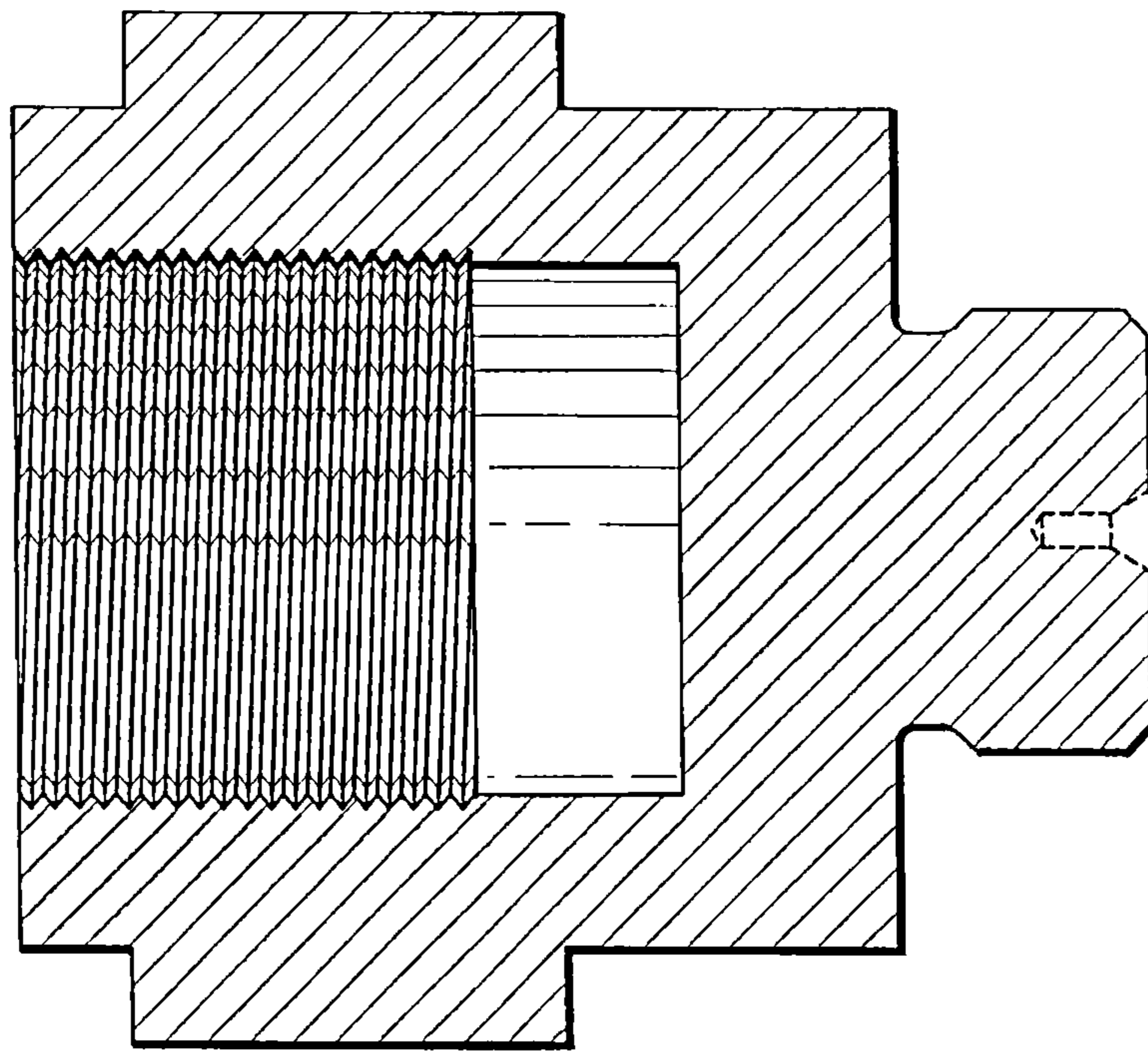


Fig. 6

UNITED STATES PATENT AND TRADEMARK OFFICE
CERTIFICATE OF CORRECTION

PATENT NO. : D720,774 S
APPLICATION NO. : 29/467154
DATED : January 6, 2015
INVENTOR(S) : Craig Swanson et al.

Page 1 of 1

It is certified that error appears in the above-identified patent and that said Letters Patent is hereby corrected as shown below:

On the title page Item (63), Related U.S. Application Data information is incorrect. Item (63) should read:

-- Related U.S. Application Data

(63) Continuation of application No. 13/843,703, filed on Mar. 15, 2013,
now Pat. No. 8,745,867, which claims benefit of 61/752,067 filed on
Jan. 14, 2013 and claims benefit of 61/754,728, filed on Jan. 21, 2013 --

Signed and Sealed this
Twenty-eighth Day of April, 2015



Michelle K. Lee
Director of the United States Patent and Trademark Office