



US00D720759S

(12) **United States Design Patent**  
**Deng et al.**

(10) **Patent No.:** **US D720,759 S**  
(45) **Date of Patent:** **\*\* Jan. 6, 2015**

- (54) **PORTABLE DEVICE HOLDER FOR VENT**
- (71) Applicant: **E. Mishan & Sons, Inc.**, New York, NY (US)
- (72) Inventors: **Daniel Deng**, Dongguan (CN); **Debbie Feuerstein**, Riverdale, NY (US)
- (73) Assignee: **E. Mishan & Sons, Inc.**, New York, NY (US)

D656,932 S *	4/2012	Wikel .....	D14/253
D656,940 S *	4/2012	McClelland et al. ....	D14/447
D657,364 S *	4/2012	Norman .....	D14/451
D663,726 S *	7/2012	Gourley .....	D14/251
D664,147 S *	7/2012	Zhao et al. ....	D14/452
D684,980 S *	6/2013	Chun .....	D14/447
D690,707 S	10/2013	Minn et al.	
D692,897 S *	11/2013	Luijben .....	D14/447
D703,213 S *	4/2014	Gifford et al. ....	D14/447
D709,512 S *	7/2014	Wardlaw .....	D14/447
D712,394 S *	9/2014	Booth et al. ....	D14/253
2014/0138419 A1	5/2014	Minn et al.	

(\*\*) Term: **14 Years**

\* cited by examiner

(21) Appl. No.: **29/496,798**

*Primary Examiner* — Angela J Lee

(22) Filed: **Jul. 17, 2014**

(74) *Attorney, Agent, or Firm* — Notaro, Michalos & Zaccaria P.C.

(51) **LOC (10) Cl.** ..... **08-07**

(52) **U.S. Cl.**  
USPC ..... **D14/447**

(57) **CLAIM**

The ornamental design for a portable device holder for vent, as shown and described.

(58) **Field of Classification Search**  
USPC ..... D14/447, 432, 434, 439, 440, 451, 452, D14/239, 251, 253, 217, 374, 375; D6/406.3, 406.4, 406.5; D3/218; D12/415; 248/917-924, 445, 447, 451, 248/455, 460, 150, 188.6, 176.1; 361/679.09, 679.21, 679.22, 679.26, 361/679.3, 679.55, 679.56

**DESCRIPTION**

FIG. 1 is a top right rear perspective view of a portable device holder for vent showing our design therefor;  
FIG. 2 is a top plan view thereof;  
FIG. 3 is a bottom plan view thereof;  
FIG. 4 is a right side elevational view thereof;  
FIG. 5 is a left side elevational view thereof;  
FIG. 6 is a front elevational view thereof;  
FIG. 7 is a rear elevational view thereof; and,  
FIG. 8 is a front top left perspective view thereof.  
Throughout the drawings, the broken lines depict environment and form no part of the design.

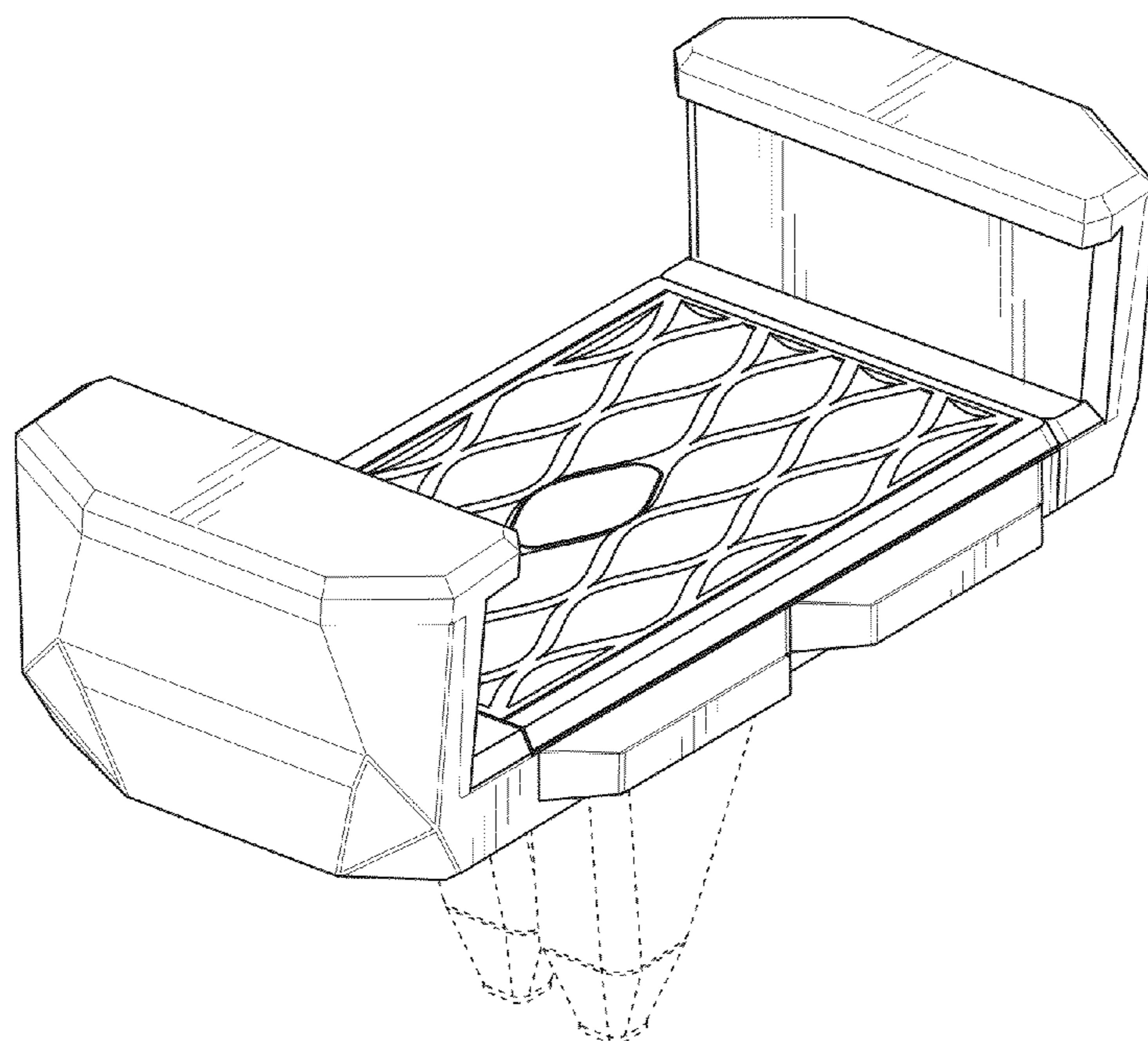
See application file for complete search history.

(56) **References Cited**

**U.S. PATENT DOCUMENTS**

D603,840 S *	11/2009	Lee et al. ....	D14/217
D630,222 S *	1/2011	Lin .....	D14/447
D645,033 S *	9/2011	Quong et al. ....	D14/253

**1 Claim, 6 Drawing Sheets**



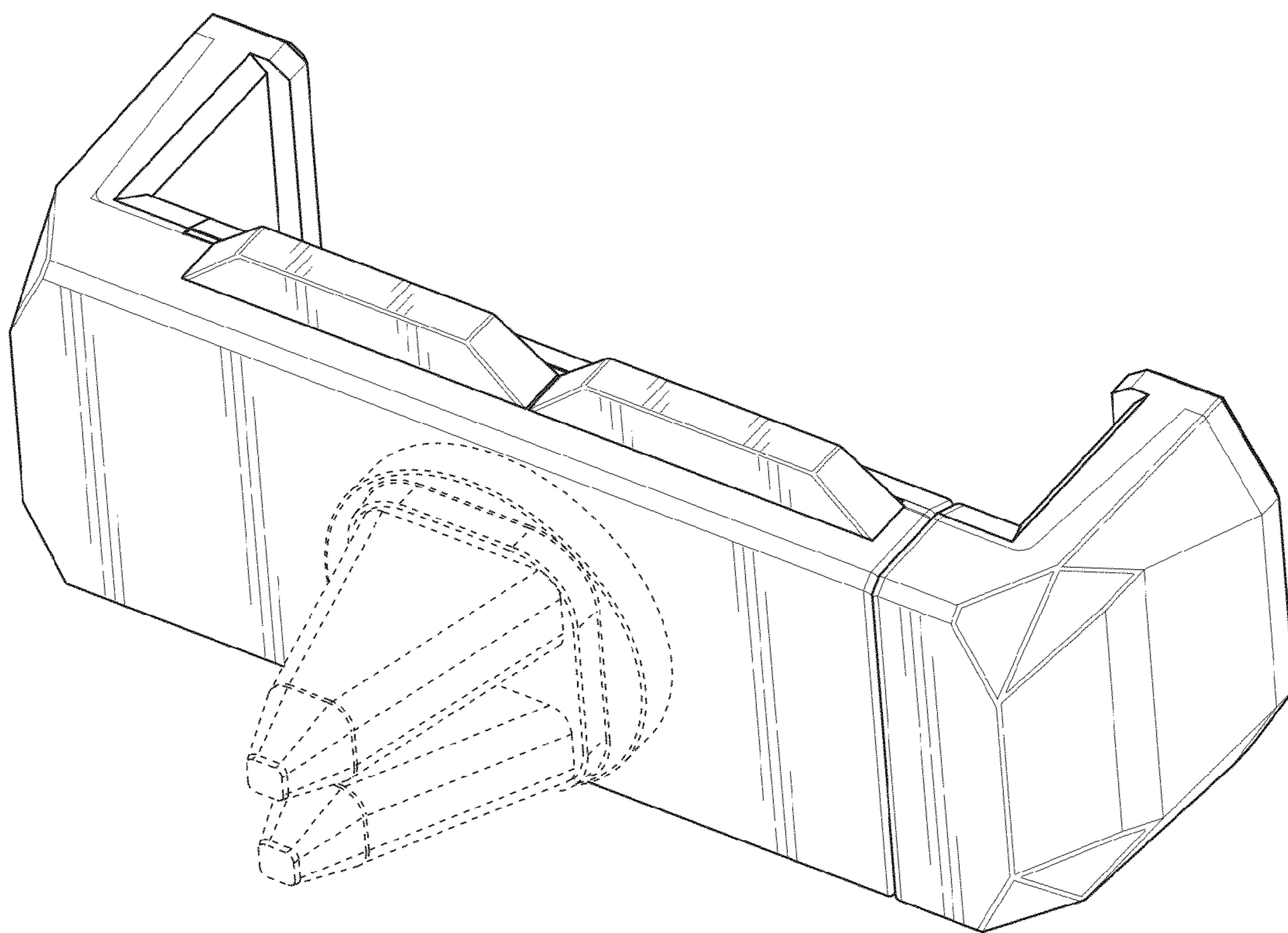


FIG. 1

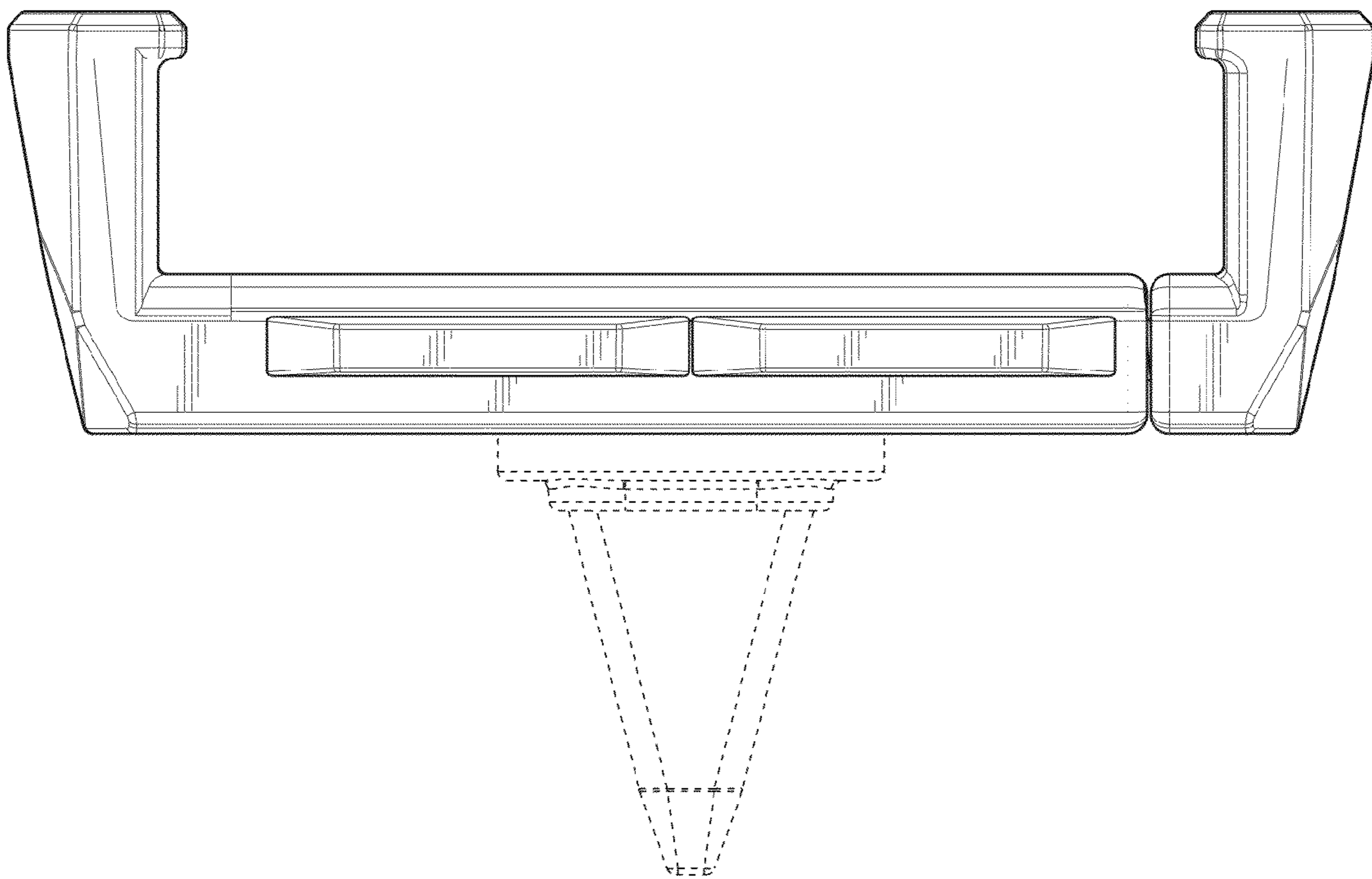


FIG. 2

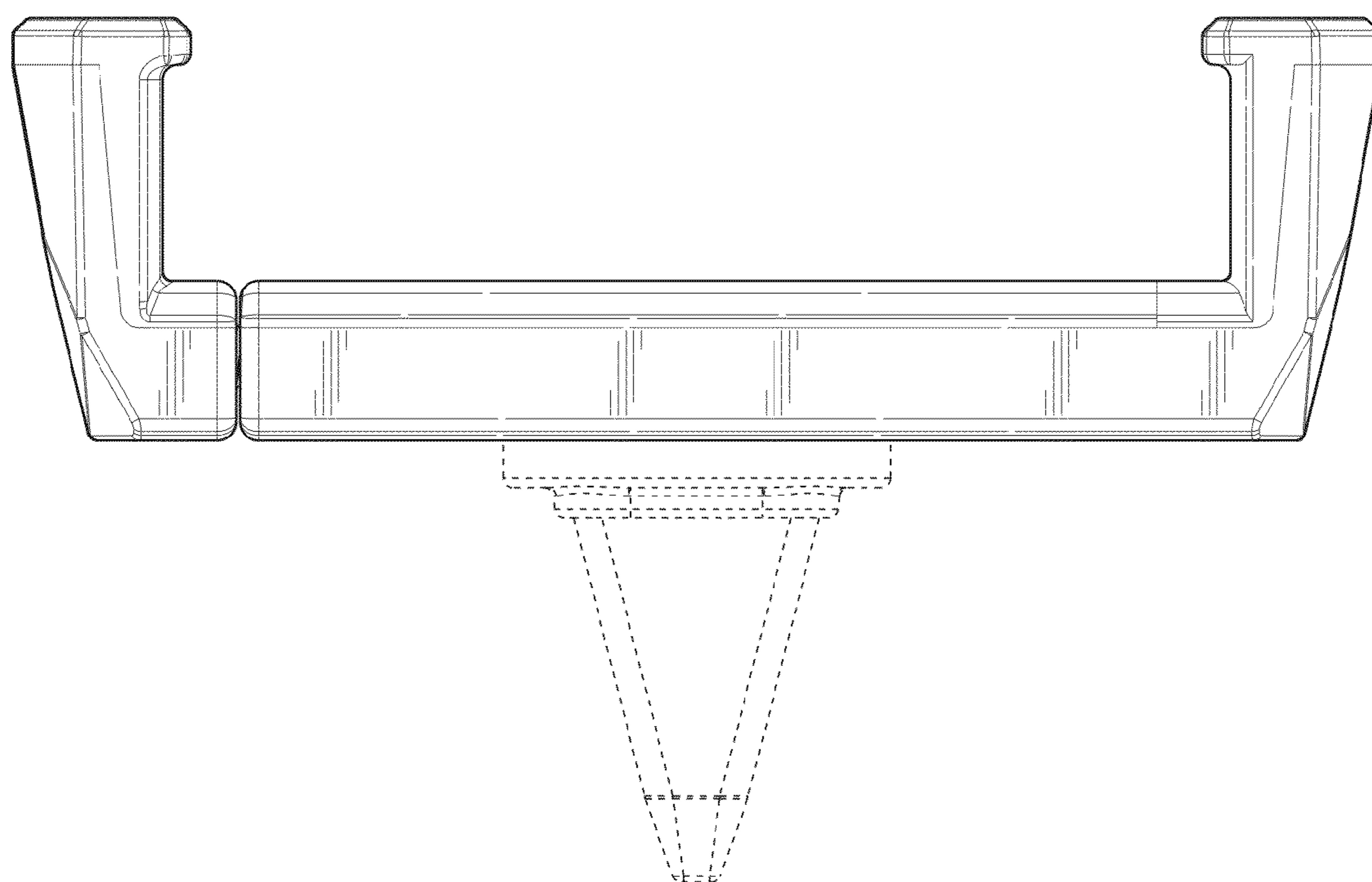


FIG. 3

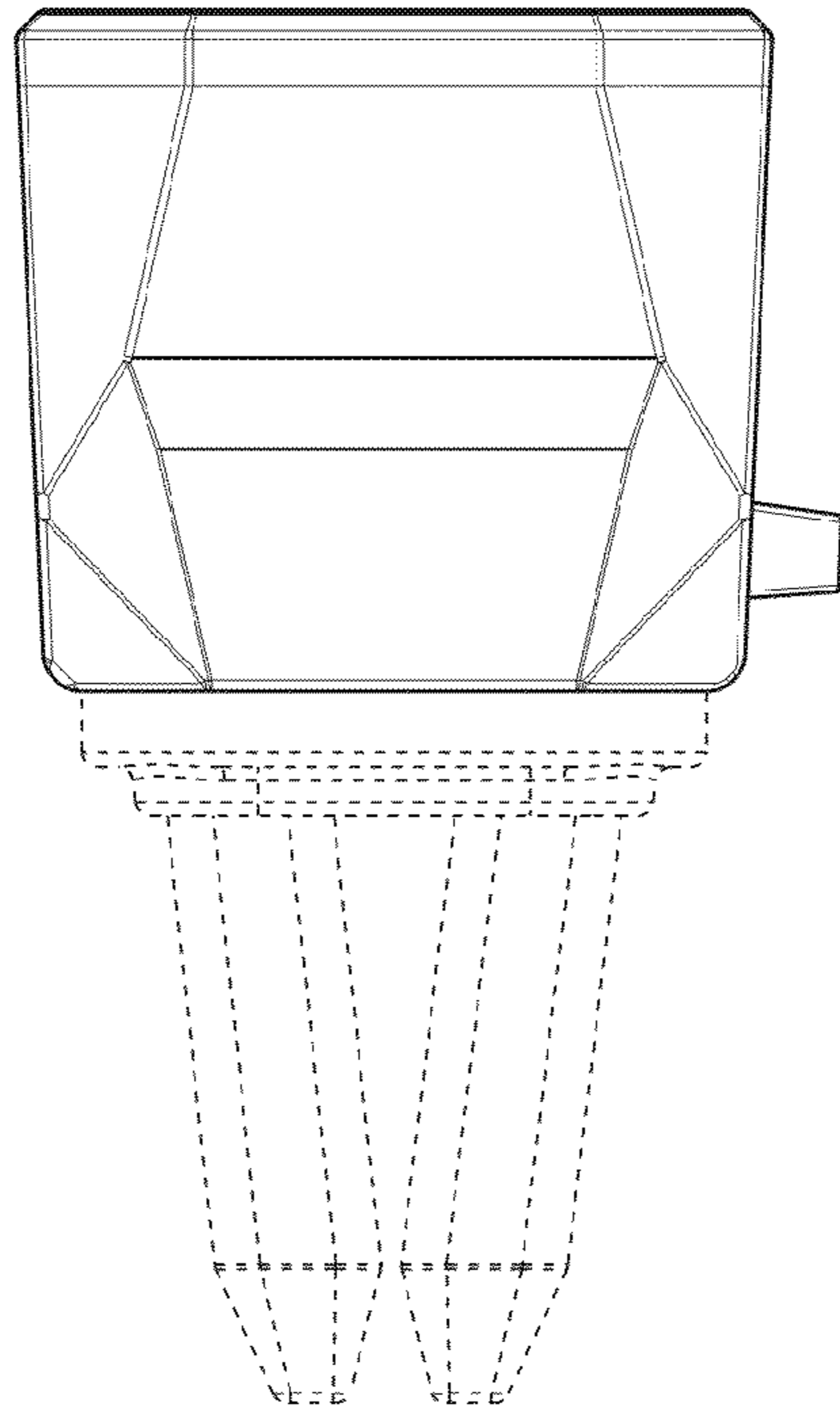


FIG. 4

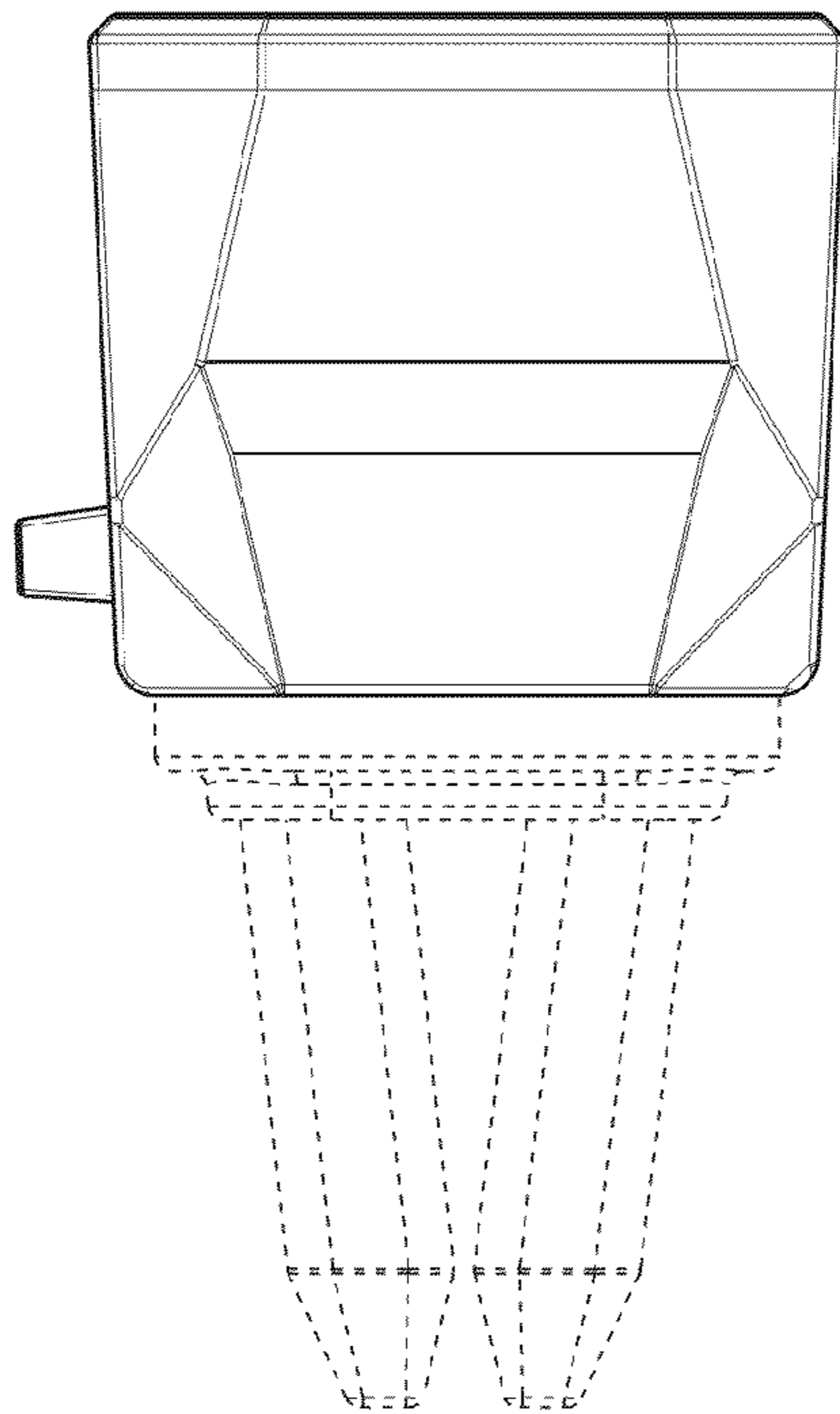


FIG. 5

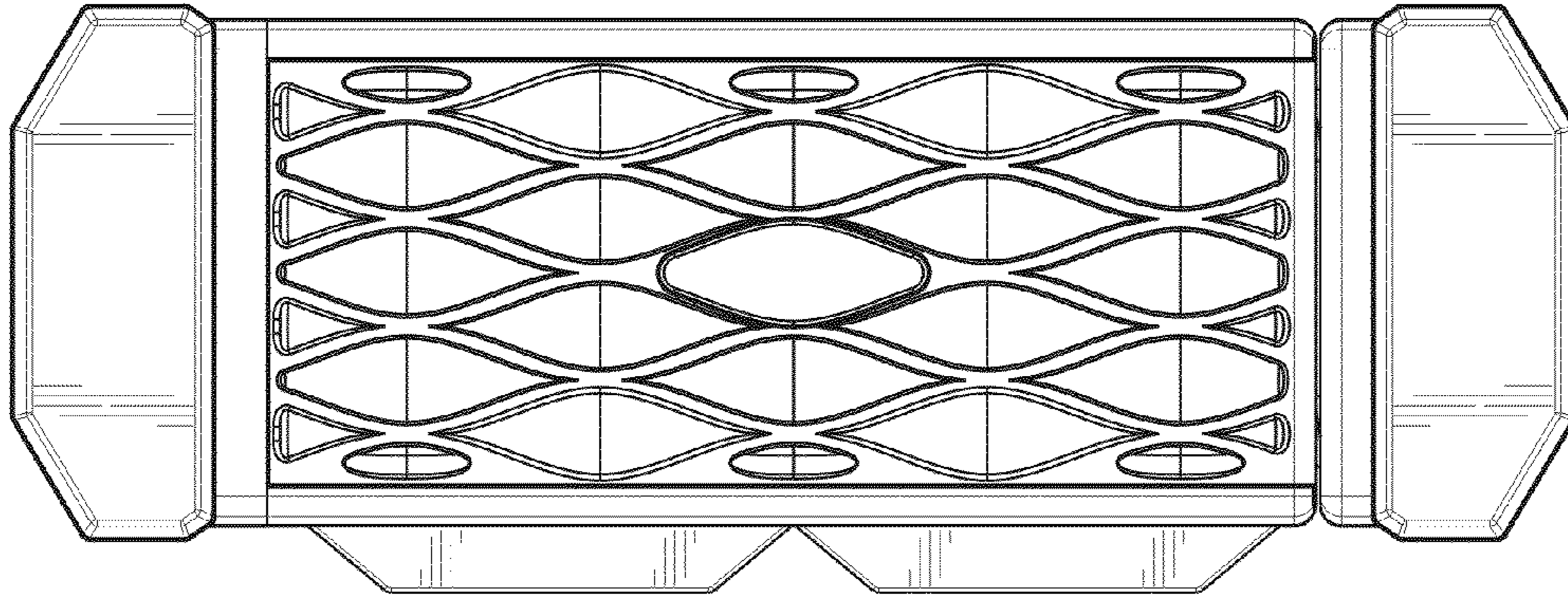


FIG. 6

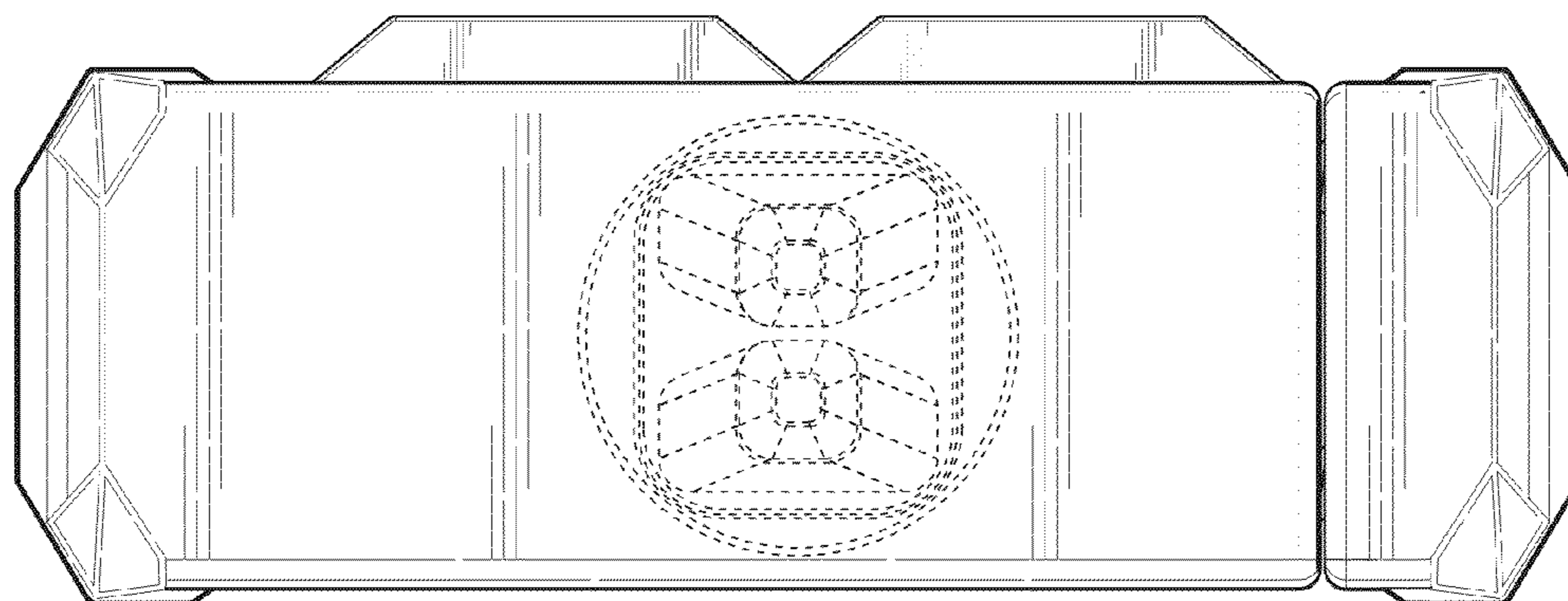


FIG. 7

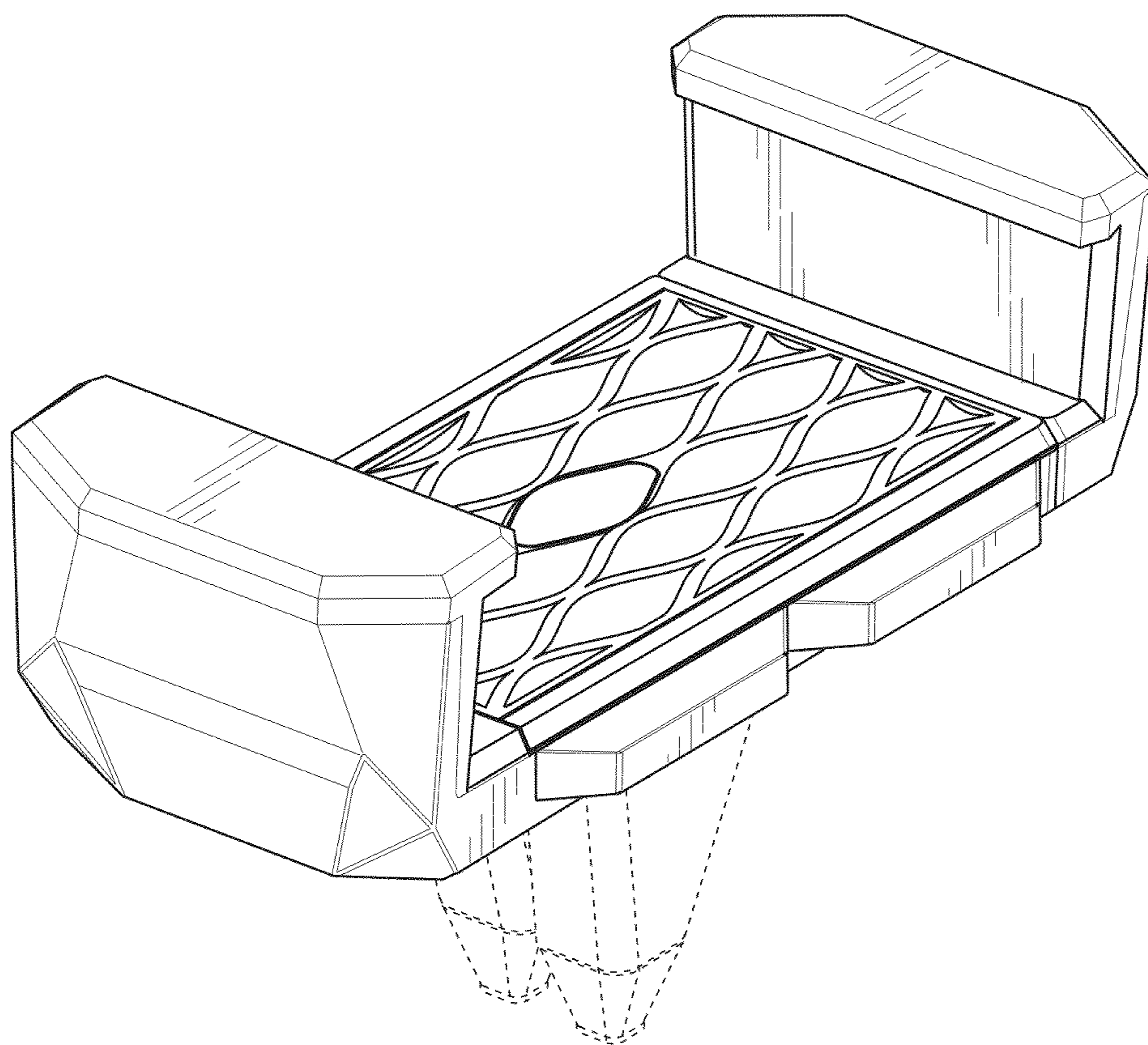


FIG. 8