



US00D720753S

(12) **United States Design Patent**
Bleads

(10) **Patent No.:** **US D720,753 S**

(45) **Date of Patent:** **** Jan. 6, 2015**

(54) **SCANNER WINDOW ASSEMBLY**

(56) **References Cited**

(71) Applicant: **Mobile Technology Holdings Limited,**
Douglas (IM)

U.S. PATENT DOCUMENTS

(72) Inventor: **David Arnold Bleads,** Kingscote (AU)

D203,881	S	*	2/1966	Burlin et al.	D16/225
D408,806	S	*	4/1999	Schmidt et al.	D14/420
D440,557	S	*	4/2001	Su	D14/215
D508,247	S	*	8/2005	Fisher et al.	D14/402
D592,649	S	*	5/2009	L'Henaff et al.	D14/240
D644,259	S	*	8/2011	Barley et al.	D16/203
D657,483	S	*	4/2012	Leen	D26/37
D662,120	S	*	6/2012	Deurwaarder	D16/203
D690,343	S	*	9/2013	Yip et al.	D16/135
D694,795	S	*	12/2013	Hyers et al.	D16/135
D699,375	S	*	2/2014	Ueda et al.	D26/37
D702,863	S	*	4/2014	Kotsis	D26/37
D703,354	S	*	4/2014	Kotsis	D26/37
D703,355	S	*	4/2014	Kotsis	D26/37
8,746,570	B2	*	6/2014	Powell et al.	235/462.41

(73) Assignee: **Mobile Technology Holdings Limited,**
Douglas (IM)

(**) Term: **14 Years**

* cited by examiner

(21) Appl. No.: **29/451,420**

(22) Filed: **Apr. 2, 2013**

Primary Examiner — Susan Moon Lee

(30) **Foreign Application Priority Data**

Feb. 25, 2013 (EM) 002190983-0002

(57) **CLAIM**

We claim the ornamental design for a scanner window assembly, as shown and described.

(51) **LOC (10) Cl.** **14-02**

DESCRIPTION

(52) **U.S. Cl.**

USPC **D14/420**

FIG. 1 is a front perspective view of a scanner window assembly;

(58) **Field of Classification Search**

USPC D14/420, 426-430, 453; 235/462.01, 235/462.11, 462.43, 462.45, 462.49, 235/472.01, 385, 454; 382/313, 321, 318; 358/473; 250/215, 216; D26/37-50, D26/24; 362/157, 158, 171-174, 183-208

FIG. 2 is a bottom view thereof;

FIG. 3 is a side elevation view thereof;

FIG. 4 is a top plan view thereof;

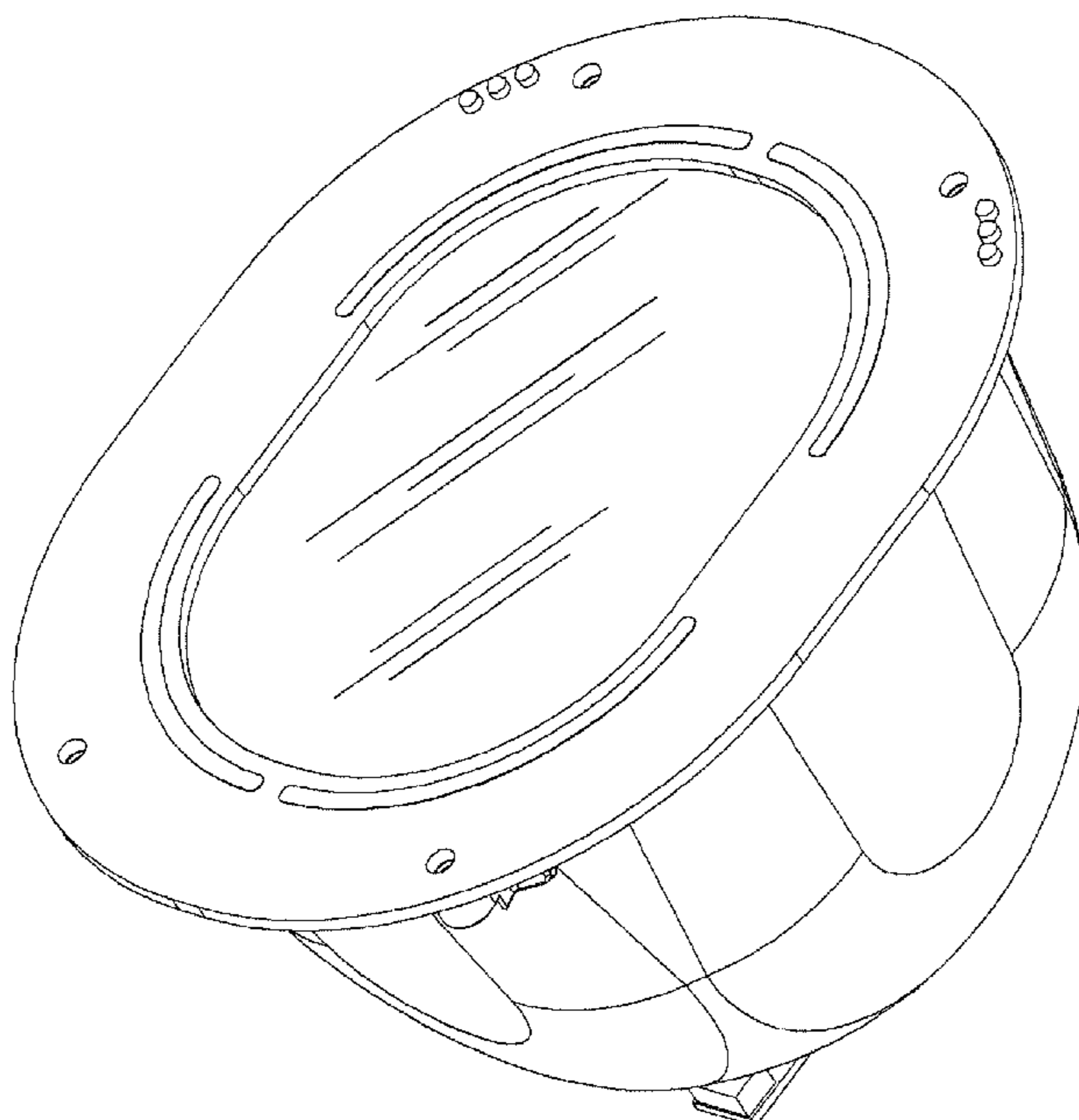
FIG. 5 is a second side elevation view thereof, opposite to the side of FIG. 3;

FIG. 6 is a front elevation view thereof; and,

FIG. 7 is a rear elevation view thereof.

See application file for complete search history.

1 Claim, 7 Drawing Sheets



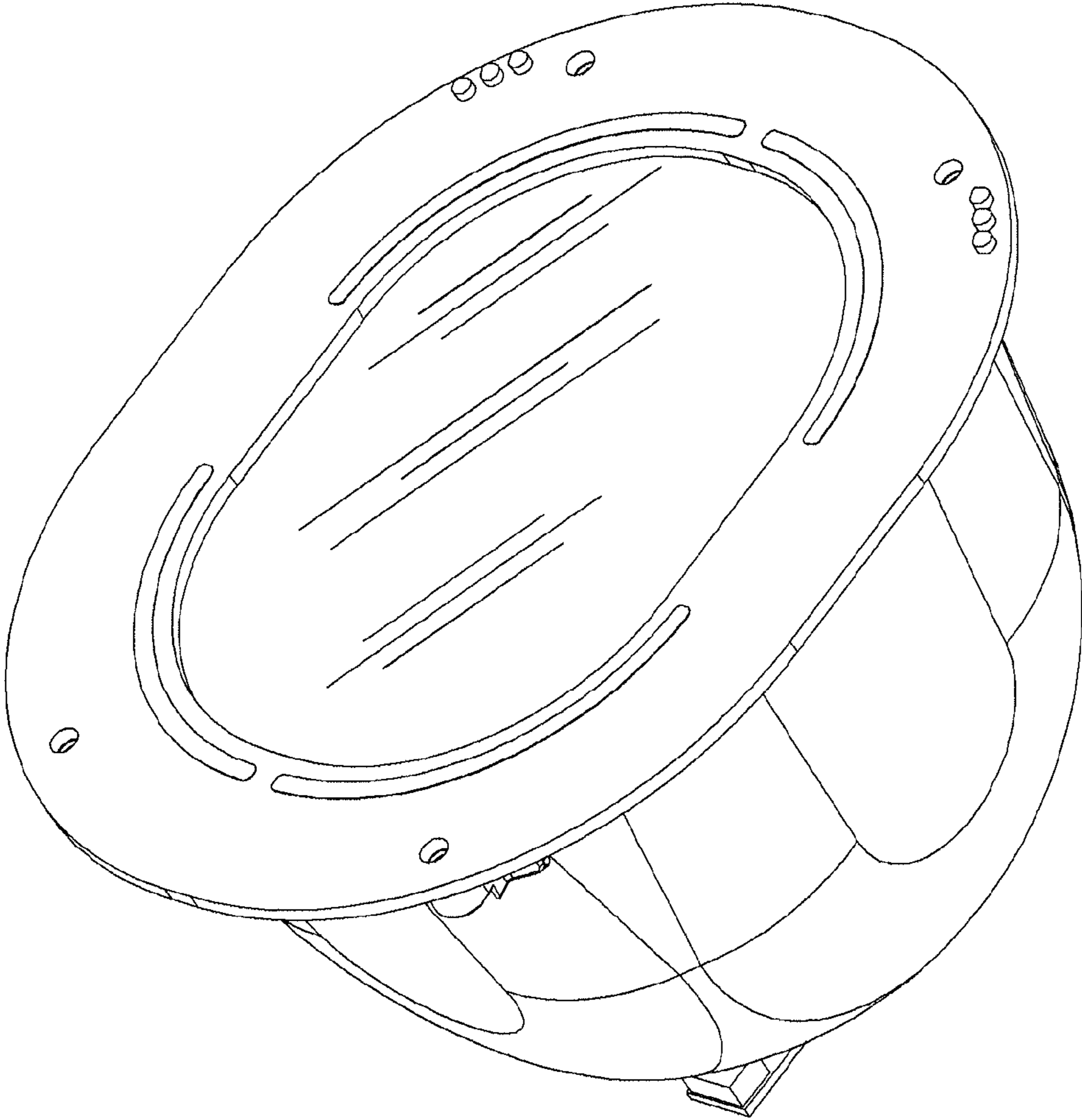


FIGURE 1

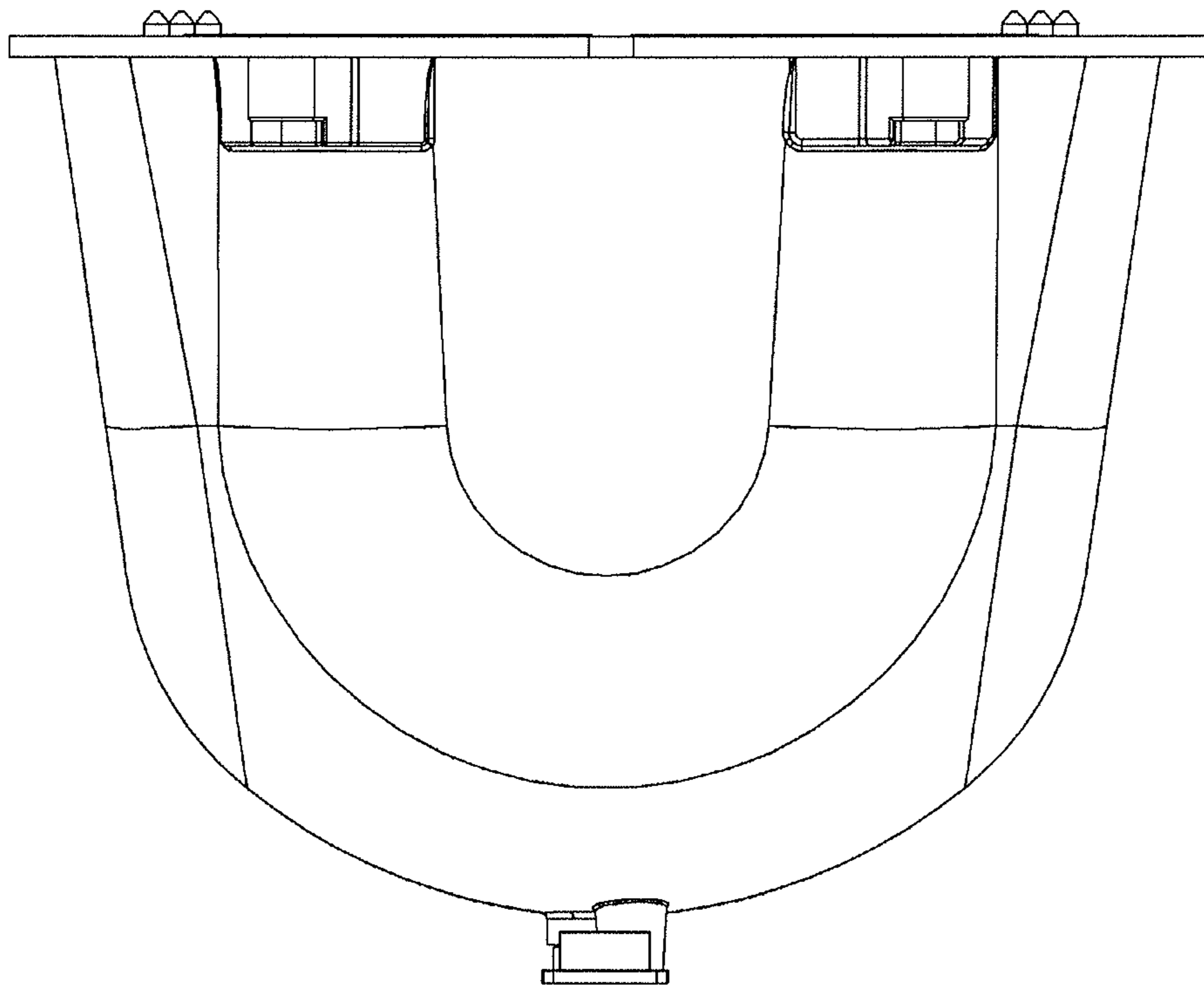


FIGURE 2

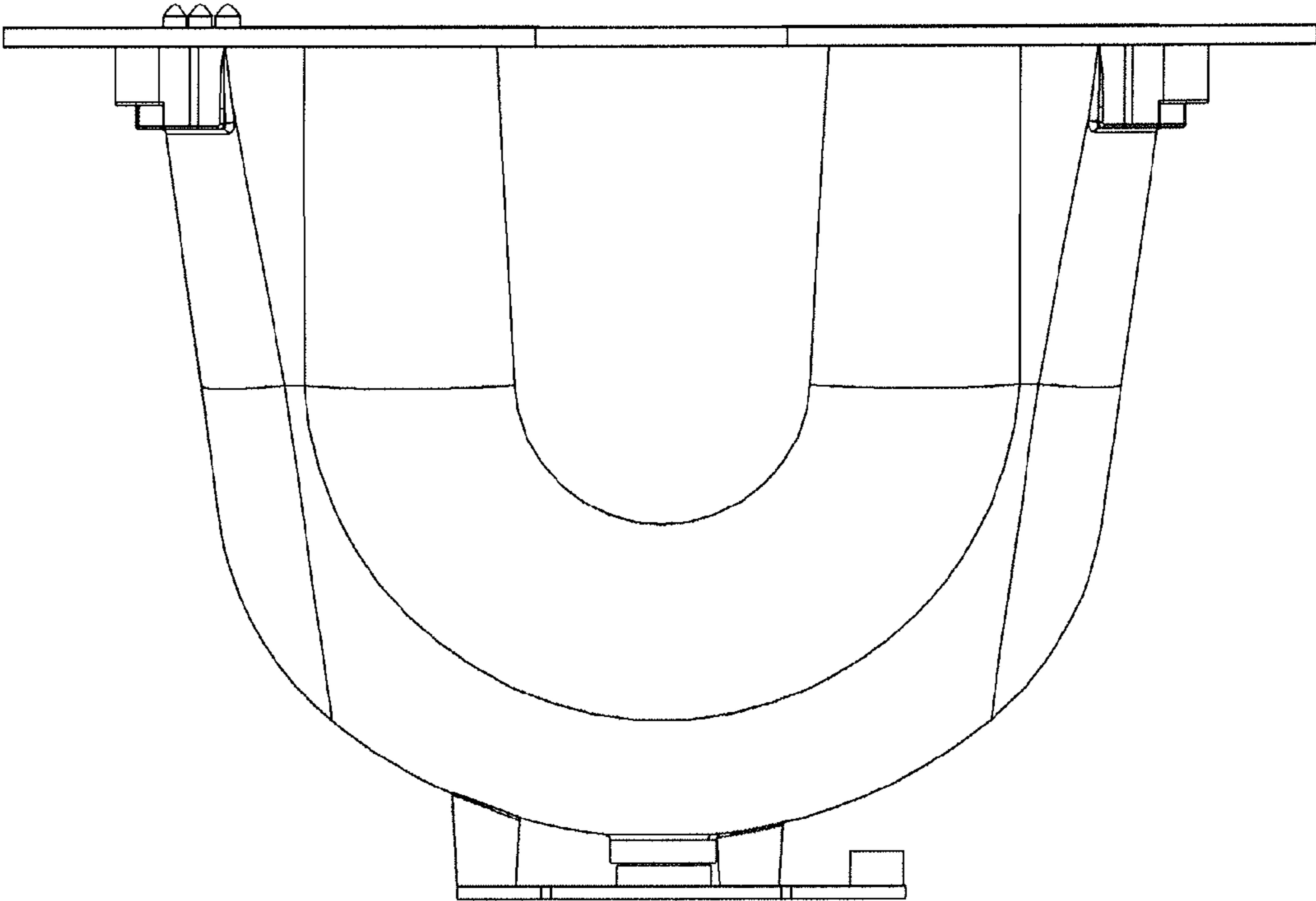


FIGURE 3

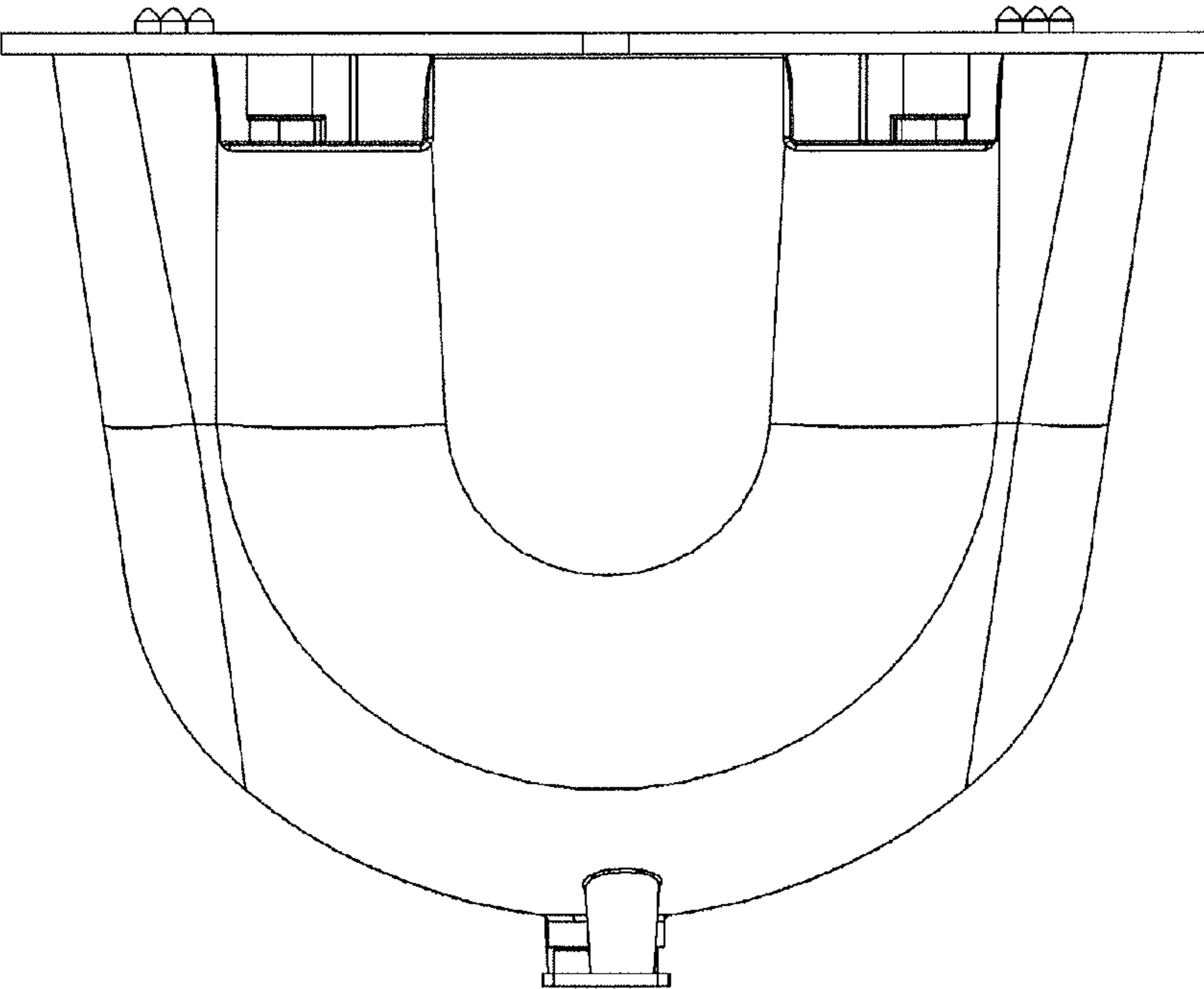


FIGURE 4

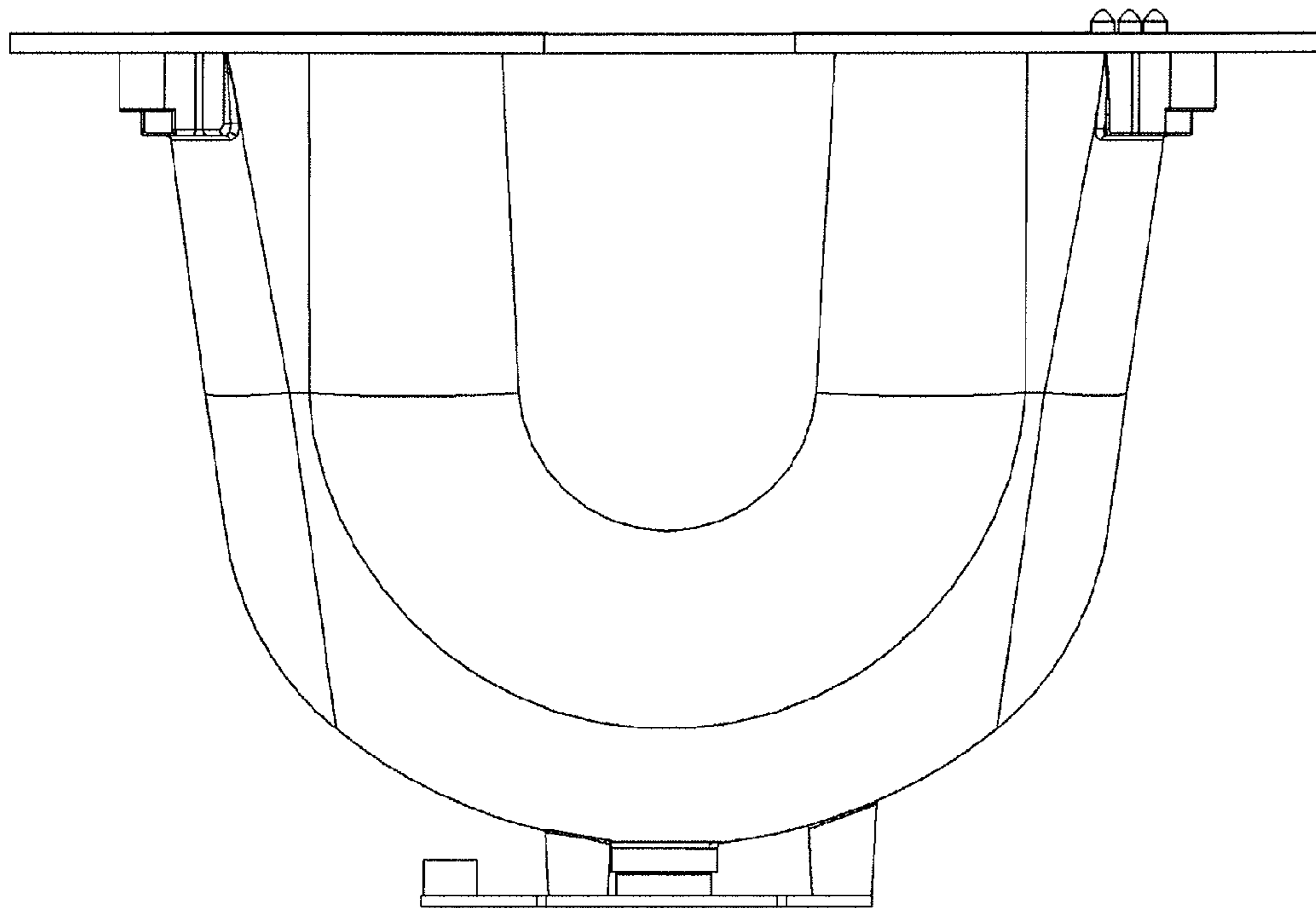


FIGURE 5

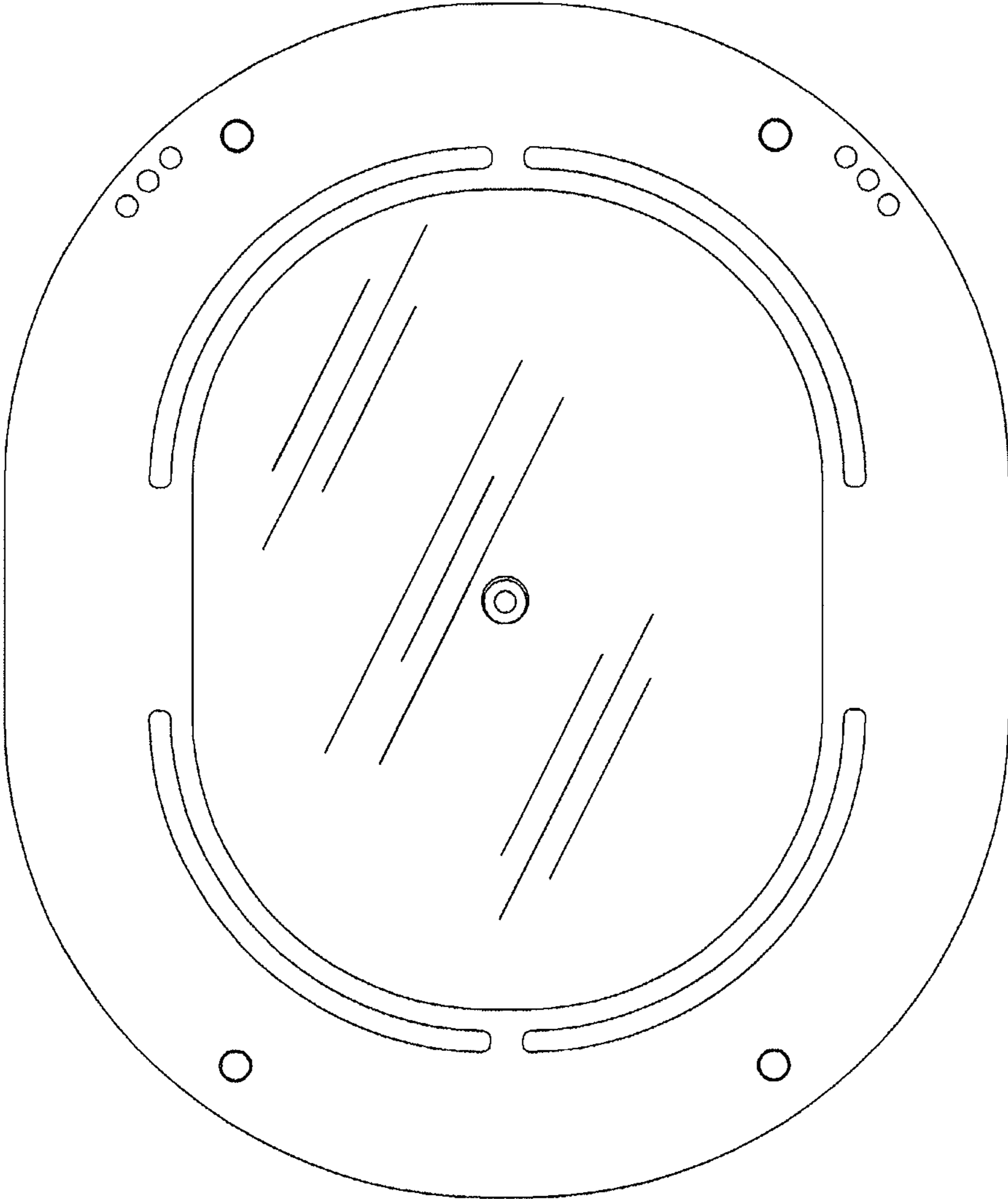


FIGURE 6

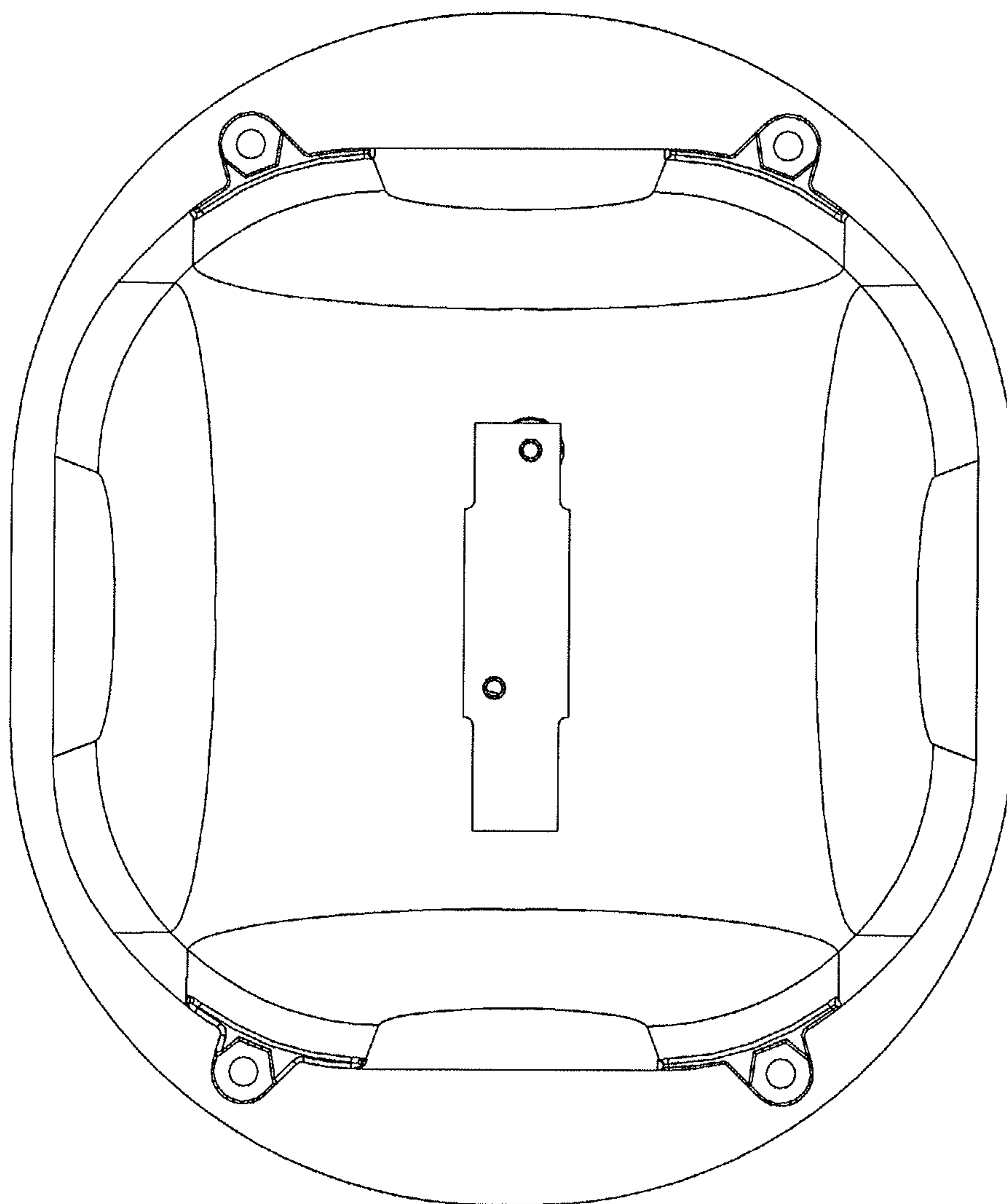


FIGURE 7