



US00D720751S

(12) **United States Design Patent**
He

(10) **Patent No.:** **US D720,751 S**
(45) **Date of Patent:** **** Jan. 6, 2015**

(54) **KEYBOARD**

(71) Applicant: **Shenzhen Xin Ni Da Technology Co., Ltd.**, Shenzhen, Guangdong (CN)

(72) Inventor: **Wei He**, Guangxi (CN)

(73) Assignee: **Shenzhen Xin Ni Da Technology Co., Ltd.**, Shenzhen (CN)

(**) Term: **14 Years**

(21) Appl. No.: **29/465,412**

(22) Filed: **Aug. 28, 2013**

(30) **Foreign Application Priority Data**

Jul. 17, 2013 (CN) 2013 3 0335577

(51) **LOC (10) Cl.** **14-02**

(52) **U.S. Cl.**
USPC **D14/392**

(58) **Field of Classification Search**
CPC G06F 3/0216
USPC D14/391-393, 396, 320, 247; D18/1, 2, D18/6, 7; 200/5 A, 5 R, 6 A, 6 R; 178/17 A, 178/17 C; 235/145 A, 145 R; 341/22, 23, 341/160, 168; 400/484-486, 488, 489, 492; 361/680; 345/168

See application file for complete search history.

(56) **References Cited**

U.S. PATENT DOCUMENTS

5,457,453 A * 10/1995 Chiu et al. 341/22
D470,493 S * 2/2003 Tritschler et al. D14/393

D545,821 S * 7/2007 Eroma et al. D14/393
D625,309 S * 10/2010 Haase et al. D14/391
8,823,652 B2 * 9/2014 Linegar et al. 345/168
2006/0165463 A1 * 7/2006 Katz 400/472
2014/0240235 A1 * 8/2014 Norwalk et al. 345/168

OTHER PUBLICATIONS

Alibaba.com, Hapurs bluetooth 3.0 wireless foldable keyboard with stand and built in li-ion battery for Smartphone Tablet and Computer, No Date, Hapurs, <http://hapurs.en.alibaba.com/product/1653688093-221538599/Hapurs_bluetooth_3_0_wireless_foldable_keyboard_with_stand_and_built_in_li_ion_battery_for_Smartphone_Tablet_and_Computer.html>,1999-2014.*

* cited by examiner

Primary Examiner — Deanna L Pratt
Assistant Examiner — Harold Blackwell, II

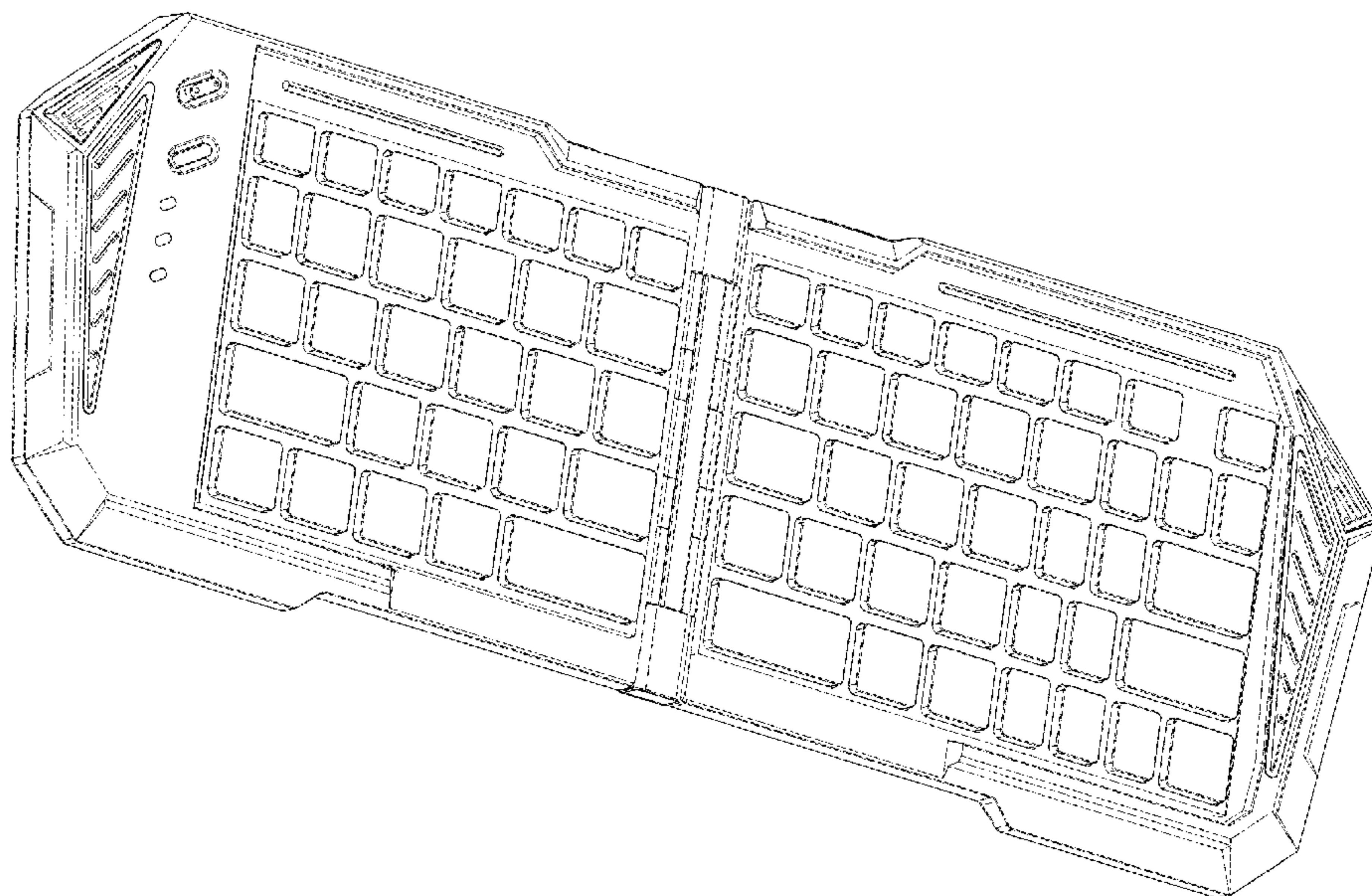
(57) **CLAIM**

The ornamental design for a keyboard, as shown and described.

DESCRIPTION

FIG. 1 is a first perspective view of a keyboard showing my new design;
FIG. 2 is a second perspective view thereof;
FIG. 3 is a third perspective view thereof;
FIG. 4 is a fourth perspective view thereof; and,
FIG. 5 is a top plan view thereof.

1 Claim, 5 Drawing Sheets



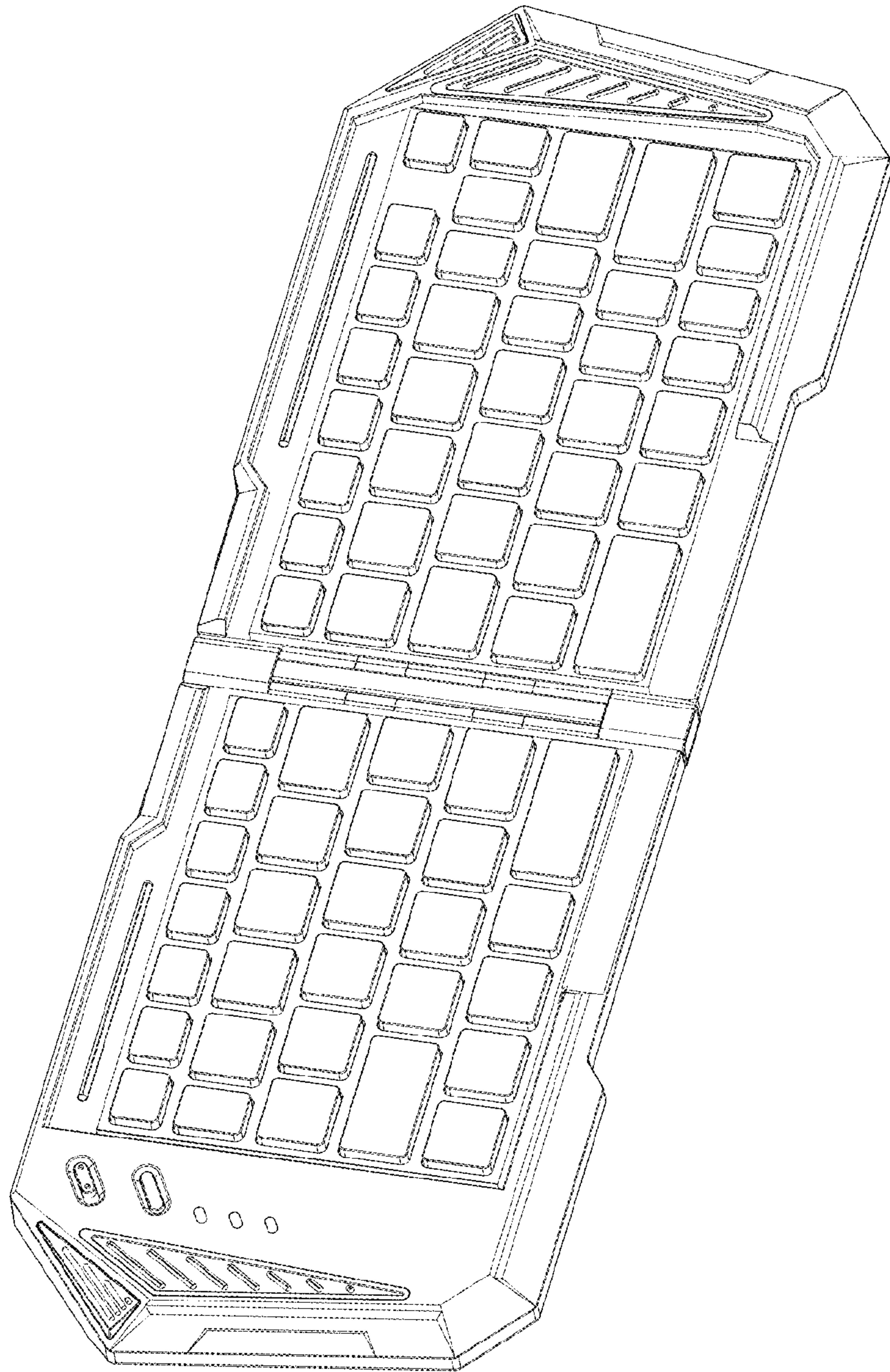


FIG. 1

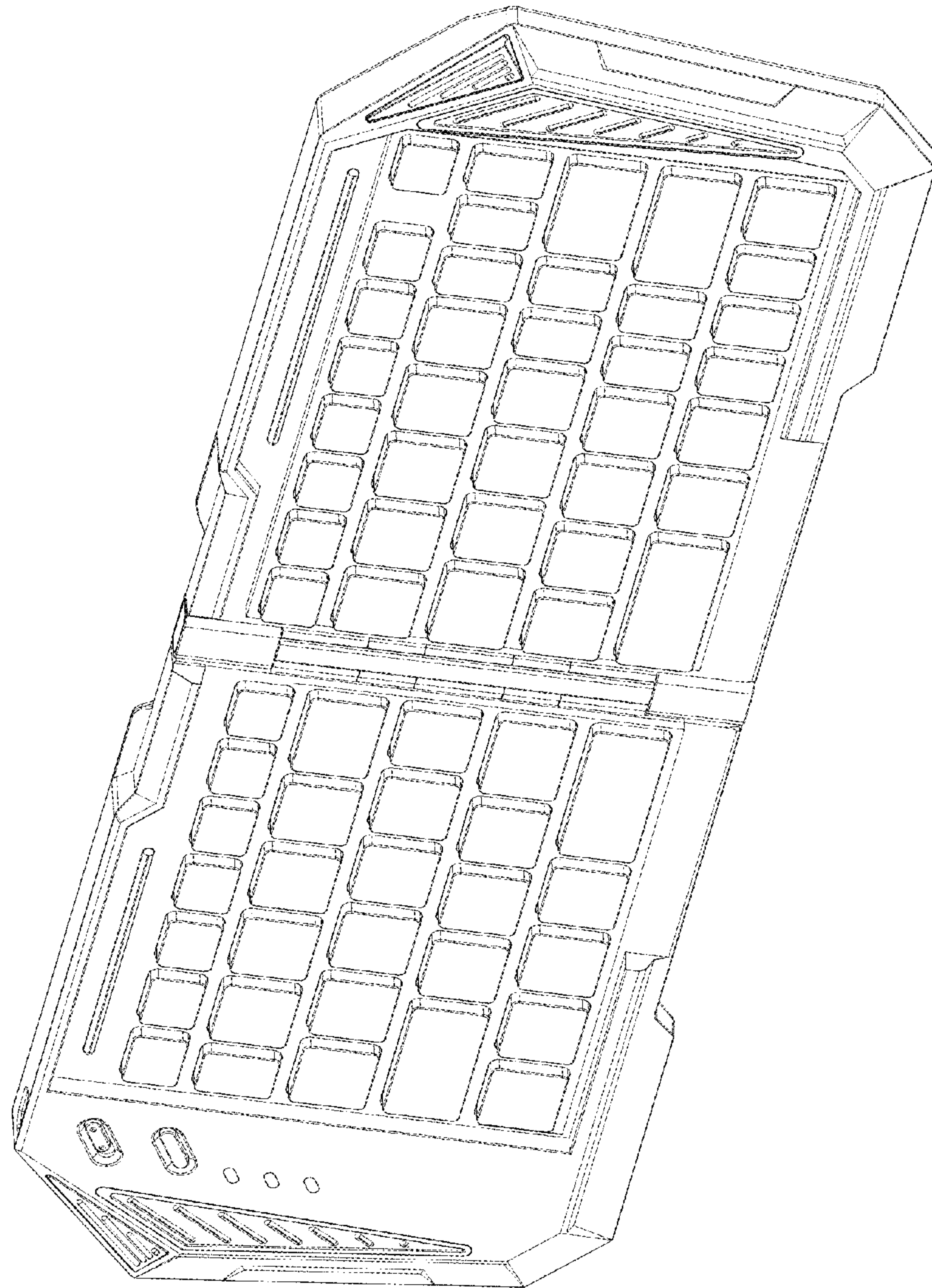


FIG. 2

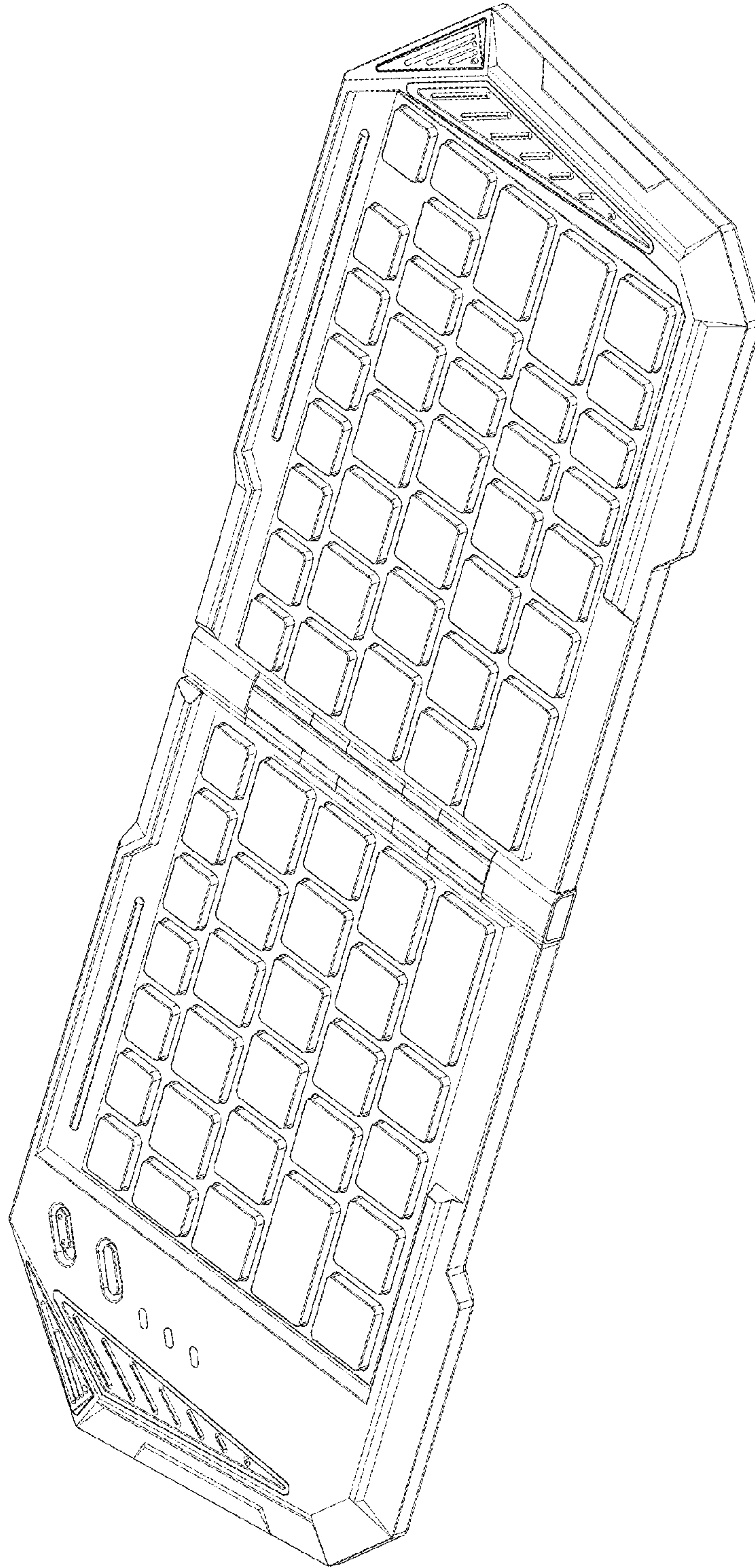


FIG. 3

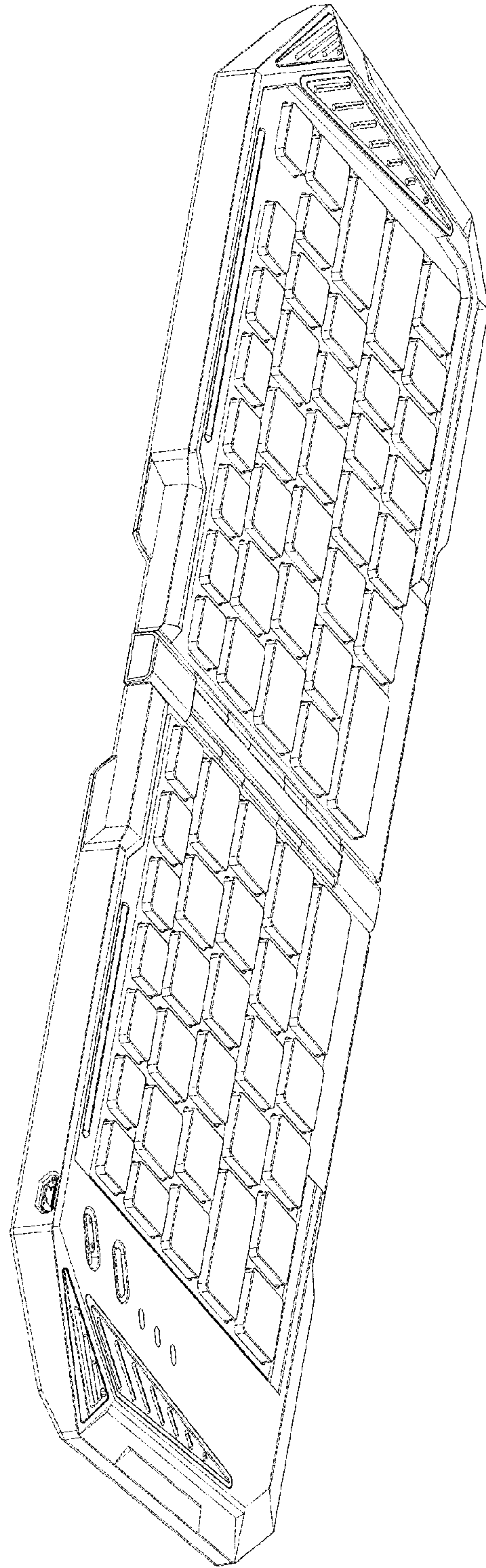


FIG. 4

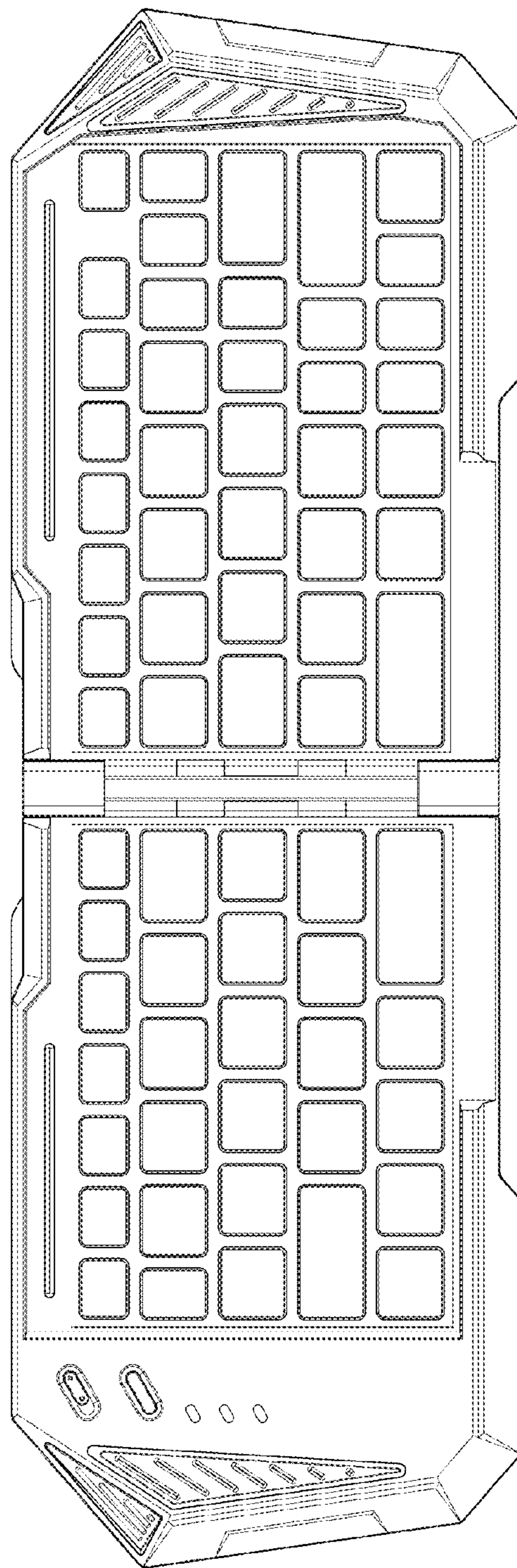


FIG. 5