



US00D720747S

(12) **United States Design Patent**
Kim et al.

(10) **Patent No.:** **US D720,747 S**
(45) **Date of Patent:** **** Jan. 6, 2015**

(54) **TABLET COMPUTER**

FOREIGN PATENT DOCUMENTS

(75) Inventors: **Min-Jung Kim**, Seongnam (KR);
Dong-Seok Lee, Seoul (KR); **Jae-Seung Song**, Seoul (KR)

KR 2005985190000 5/2011
KR 3005994750000 5/2011

(Continued)

(73) Assignee: **Samsung Electronics Co., Ltd.**,
Suwon-Si (KR)

OTHER PUBLICATIONS

U.S. Appl. No. 29/405,537, Applicant Ik-Sang Kim, filed Nov. 3, 2011, entitled Tablet Computer.

(**) Term: **14 Years**

(Continued)

(21) Appl. No.: **29/427,736**

Primary Examiner — Barbara Fox

(22) Filed: **Jul. 21, 2012**

(74) *Attorney, Agent, or Firm* — Wood, Herron & Evans, LLP

(30) **Foreign Application Priority Data**

Jan. 25, 2012 (KR) 30-2012-0003397

(51) **LOC (10) Cl.** **14-02**

(52) **U.S. Cl.**
USPC **D14/345**

(58) **Field of Classification Search**
USPC D14/341–347, 336, 337, 371, 374, 138,
D14/496; D10/65; 345/173, 901, 104, 133,
345/156, 168; 348/180, 184, 325, 739, 373,
348/376; 385/88; 710/62; 455/575.3, 575.1
See application file for complete search history.

(57) **CLAIM**

The ornamental design for a tablet computer, as shown and described.

DESCRIPTION

FIG. 1 is a top front perspective view of a tablet computer showing our new design;
FIG. 2 is a front elevational view thereof;
FIG. 3 is a rear elevational view thereof;
FIG. 4 is a left side elevational view thereof;
FIG. 5 is a right side elevational view thereof;
FIG. 6 is a top plan view thereof;
FIG. 7 is a bottom plan view thereof;
FIG. 8 is a perspective view thereof when the front cover of the present tablet computer is opened; and,
FIG. 9 is a right side view thereof when the front cover of the present tablet computer is used for supporting the computer body.
The broken lines shown in the drawings represent portions of the tablet computer which form no part of the claimed design.

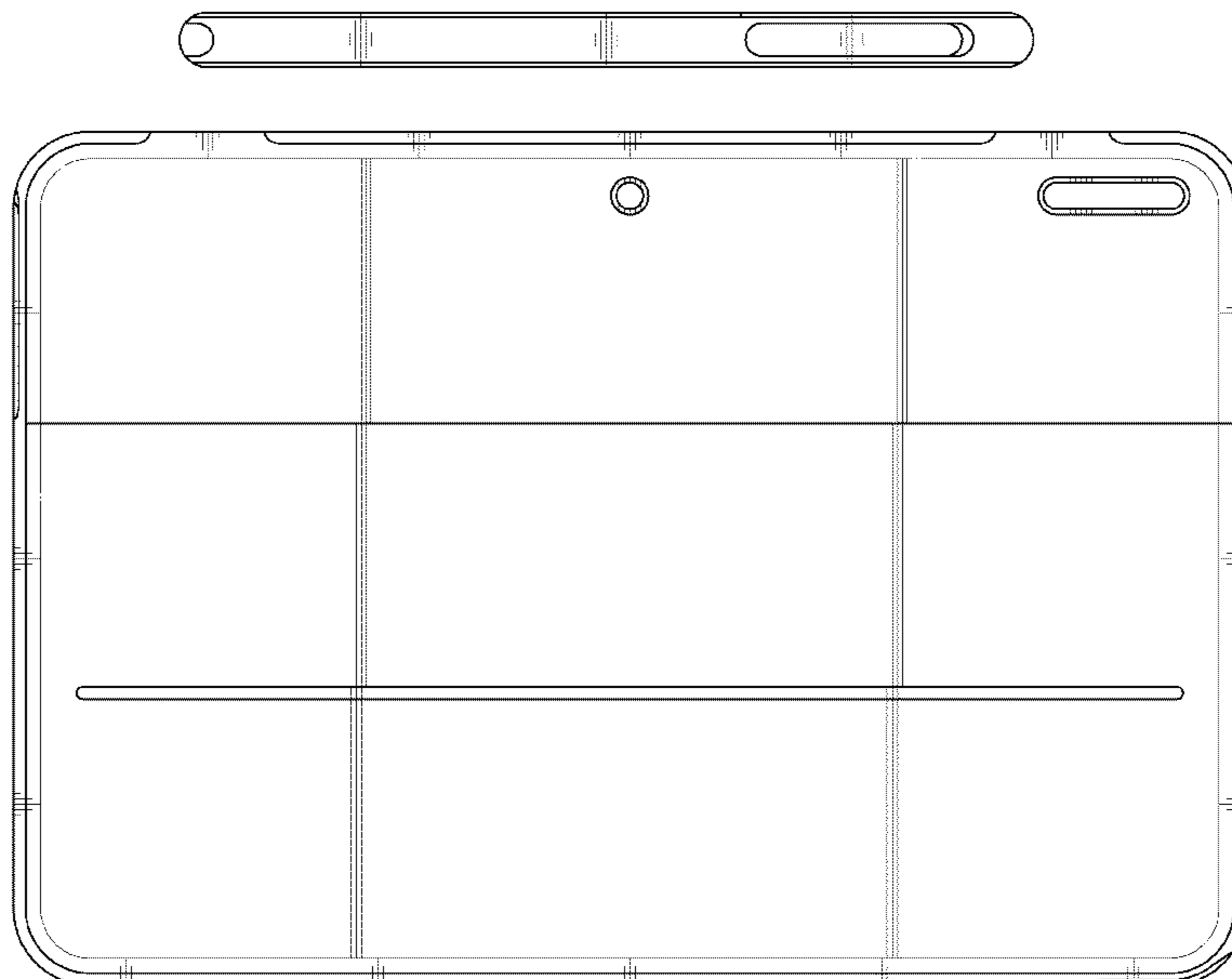
(56) **References Cited**

U.S. PATENT DOCUMENTS

D284,084 S 6/1986 Ferrara, Jr.
D306,583 S 3/1990 Krolopp et al.
D333,574 S 3/1993 Ackeret
D337,569 S 7/1993 Kando
D392,620 S * 3/1998 Ashcraft et al. D13/168
D428,004 S * 7/2000 Colvin D14/345

(Continued)

1 Claim, 6 Drawing Sheets



(56)

References Cited

OTHER PUBLICATIONS

U.S. PATENT DOCUMENTS

D500,991 S 1/2005 Niitsu
 D504,889 S 5/2005 Andre et al.
 D510,348 S * 10/2005 Kaczowka D14/341
 D532,791 S 11/2006 Kim
 D555,656 S * 11/2007 Bishop et al. D14/448
 D563,804 S 3/2008 Kimura et al.
 D579,930 S 11/2008 Maskatia
 D584,726 S * 1/2009 Morita D14/341
 D584,738 S 1/2009 Kim et al.
 D590,374 S 4/2009 Madonna et al.
 D592,214 S 5/2009 Bradford
 D600,455 S * 9/2009 Nell D6/308
 D602,014 S 10/2009 Andre et al.
 D602,487 S 10/2009 Maskatia
 D605,626 S 12/2009 Park
 D610,582 S 2/2010 Sugitani et al.
 D611,364 S 3/2010 Lenz et al.
 D613,510 S 4/2010 Tzeng et al.
 D613,951 S 4/2010 Tang et al.
 D617,793 S 6/2010 Chiang et al.
 D618,683 S * 6/2010 Wilson et al. D14/371
 D622,270 S 8/2010 Andre et al.
 D626,124 S * 10/2010 Chyan et al. D14/341
 D627,667 S 11/2010 Lenz et al.
 D628,913 S 12/2010 Cheng
 D629,799 S 12/2010 Andre et al.
 D631,043 S * 1/2011 Kell D14/341
 D639,296 S * 6/2011 Tseng et al. D14/345
 D639,806 S * 6/2011 Lee et al. D14/345
 D640,255 S 6/2011 Lee et al.
 D641,353 S * 7/2011 Rashid et al. D14/341
 D650,780 S * 12/2011 Rashid et al. D14/341
 D658,186 S * 4/2012 Akana et al. D14/440
 D658,187 S * 4/2012 Diebel D14/440
 D658,188 S * 4/2012 Diebel D14/440
 D664,540 S 7/2012 Kim et al.
 D664,954 S 8/2012 Kim et al.
 D664,955 S 8/2012 Kim et al.
 D676,050 S * 2/2013 Sanz D14/440
 D678,272 S * 3/2013 Groene et al. D14/345
 D678,877 S * 3/2013 Groene et al. D14/341
 D681,033 S * 4/2013 Chen et al. D14/345
 D685,781 S * 7/2013 Adams D14/315
 D696,253 S * 12/2013 Akana et al. D14/345
 D696,254 S * 12/2013 Groene et al. D14/345
 2009/0231233 A1 * 9/2009 Liberatore 345/1.3
 2009/0231292 A1 9/2009 Hsieh et al.
 2010/0177047 A1 * 7/2010 Brenneman et al. 345/173
 2011/0227463 A1 * 9/2011 Hou et al. 312/223.1

FOREIGN PATENT DOCUMENTS

KR 3006004150000 6/2011
 KR 3006004300000 6/2011
 KR 3006046440000 7/2011

U.S. Appl. No. 29/407,975, Applicant Chun et al, filed Dec. 6, 2011, entitled Tablet Computer.
 U.S. Appl. No. 29/425,836, Applicant Park et al., filed Jun. 27, 2012, entitled Portable Computer.
 U.S. Appl. No. 29/407,982, Applicant Lee et al, filed Dec. 6, 2011, entitled Tablet Computer.
 U.S. Appl. No. 29/407,984, Applicant Jeon et al., filed Dec. 6, 2011, entitled Tablet Computer.
 U.S. Appl. No. 29/407,989, Applicant Lee et al, filed Dec. 6, 2011, entitled Cradle for Tablet Computer.
 U.S. Appl. No. 29/407,996, Applicant Jeon et al, filed Sep. 21, 2011, entitled Charger for Tablet Computer.
 U.S. Appl. No. 29/408,009, Applicant Song et al, filed Dec. 6, 2011, entitled Tablet Computer.
 U.S. Appl. No. 29/408,017, Applicant Song et al, filed Dec. 6, 2011, entitled Tablet Computer.
 U.S. Appl. No. 29/416,029, Applicant Kim et al., filed Dec. 6, 2011, entitled Tablet Computer.
 U.S. Appl. No. 29/416,032, Applicant Kim et al., filed Mar. 16, 2012, entitled Tablet Computer.
 U.S. Appl. No. 29/418,670, Applicant Song et al., filed Apr. 19, 2012, entitled Tablet Computer.
 U.S. Appl. No. 29/419,893, Applicant Ik-Sang Kim, filed May 2, 2012, entitled Slate Computer.
 U.S. Appl. No. 29/419,907, Applicant Ik-Sang Kim, filed May 2, 2012, entitled Slate Computer.
 U.S. Appl. No. 29/419,911, Applicant Kim et al., filed May 2, 2012, entitled Tablet Computer.
 U.S. Appl. No. 29/420,669, Applicant Lim et al., filed May 11, 2012, entitled Tablet Computer.
 U.S. Appl. No. 29/422,467, Applicant Song et al., filed May 21, 2012, entitled Tablet Computer.
 U.S. Appl. No. 29/425,977, Applicant Ji-Sang Park, filed Jun. 28, 2012, entitled Tablet Computer.
 U.S. Appl. No. 29/425,978, Applicant Lim et al., filed Jun. 28, 2012, entitled Tablet Computer.
 U.S. Appl. No. 29/431,774, Applicant Lee et al., filed Sep. 11, 2012, entitled Tablet Computer.
 U.S. Appl. No. 29/425,227, Applicant Kim et al., filed Jun. 20, 2012, entitled Tablet Computer.
 U.S. Appl. No. 29/425,446, Applicant Kim et al., filed Jun. 22, 2012, entitled Portable Computer.
 U.S. Appl. No. 29/425,732, Applicant Park et al., filed Jun. 26, 2012, entitled Portable Computer.
 U.S. Appl. No. 29/425,828, Applicant Kim et al., filed Jun. 27, 2012, entitled Portable Computer.
 U.S. Appl. No. 29/435,870, Applicant Lee et al., filed Oct. 30, 2012, entitled Portable Computer.
 U.S. Appl. No. 29/435,889, Applicant Lee et al., filed Oct. 30, 2012, entitled Portable Computer.

* cited by examiner

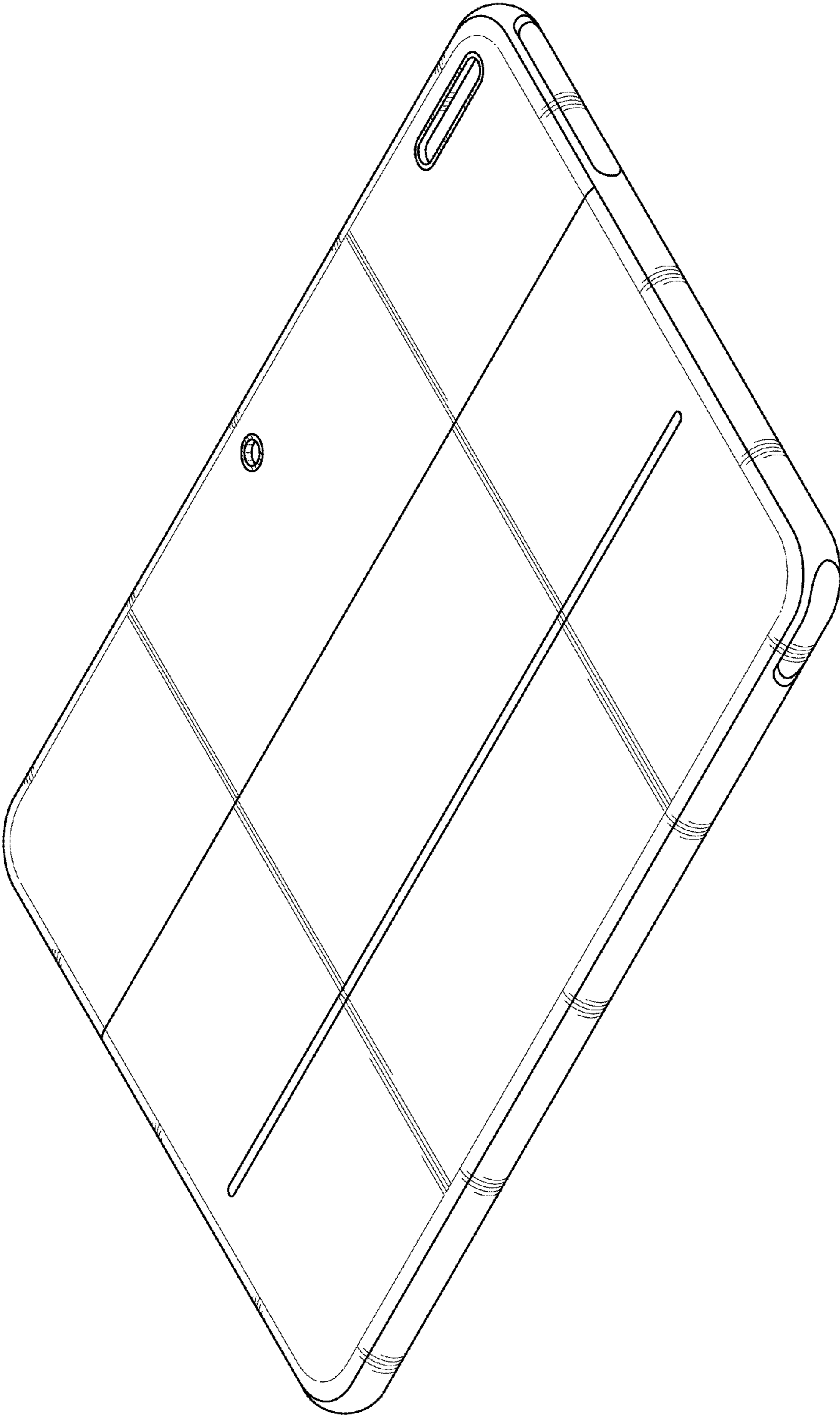


FIG.1



FIG. 2



FIG. 3



FIG. 4



FIG. 5

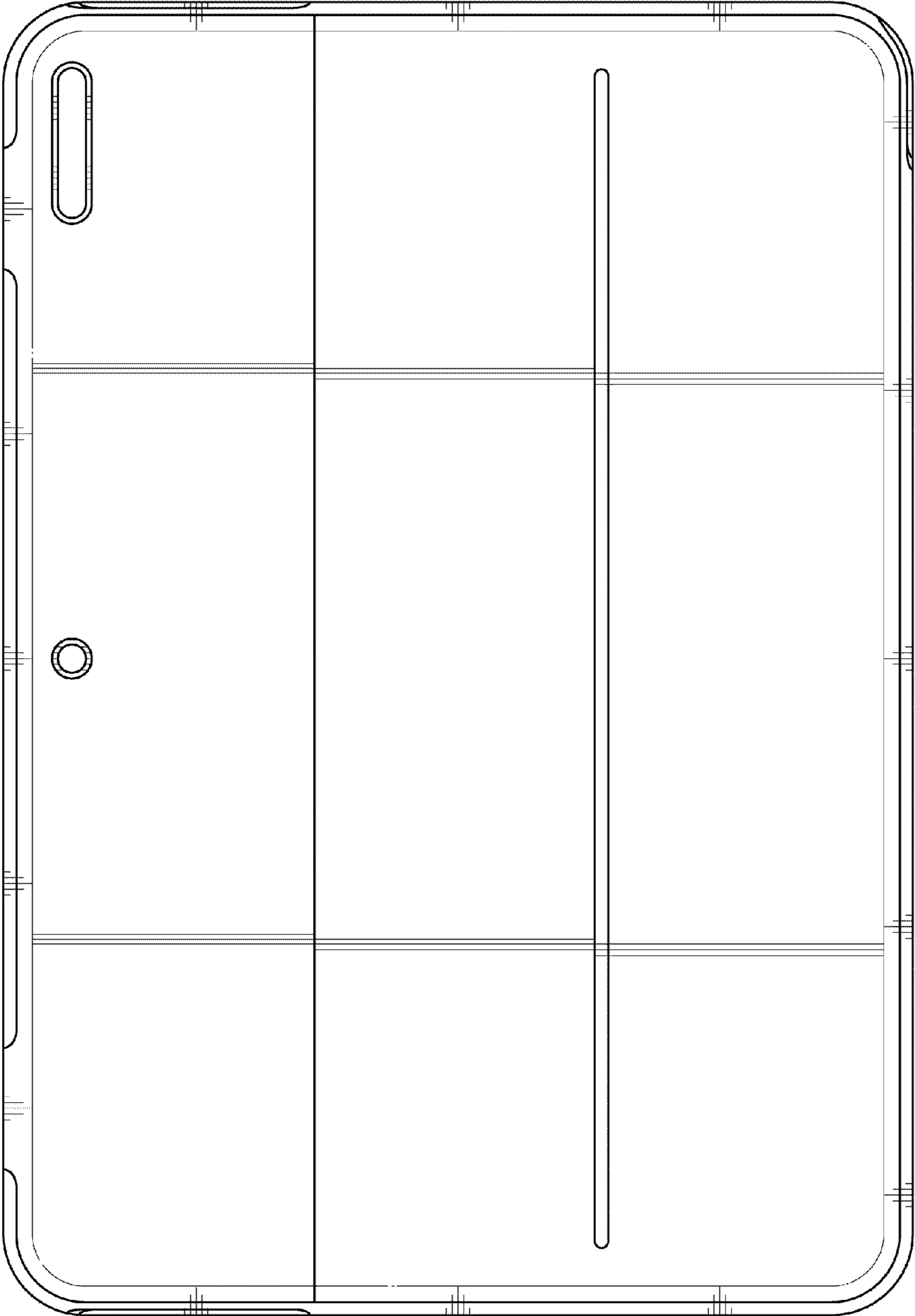


FIG.6

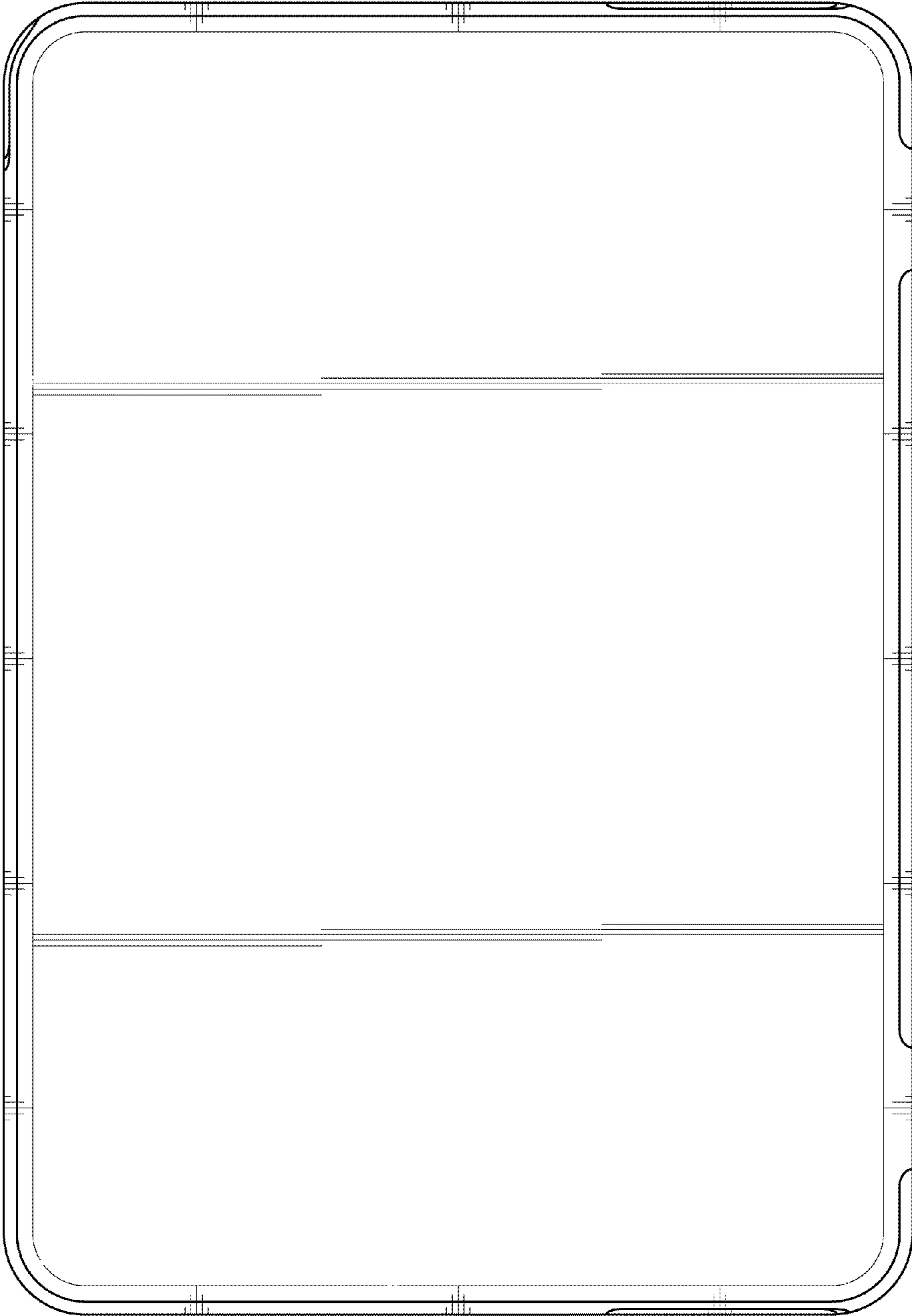


FIG.7

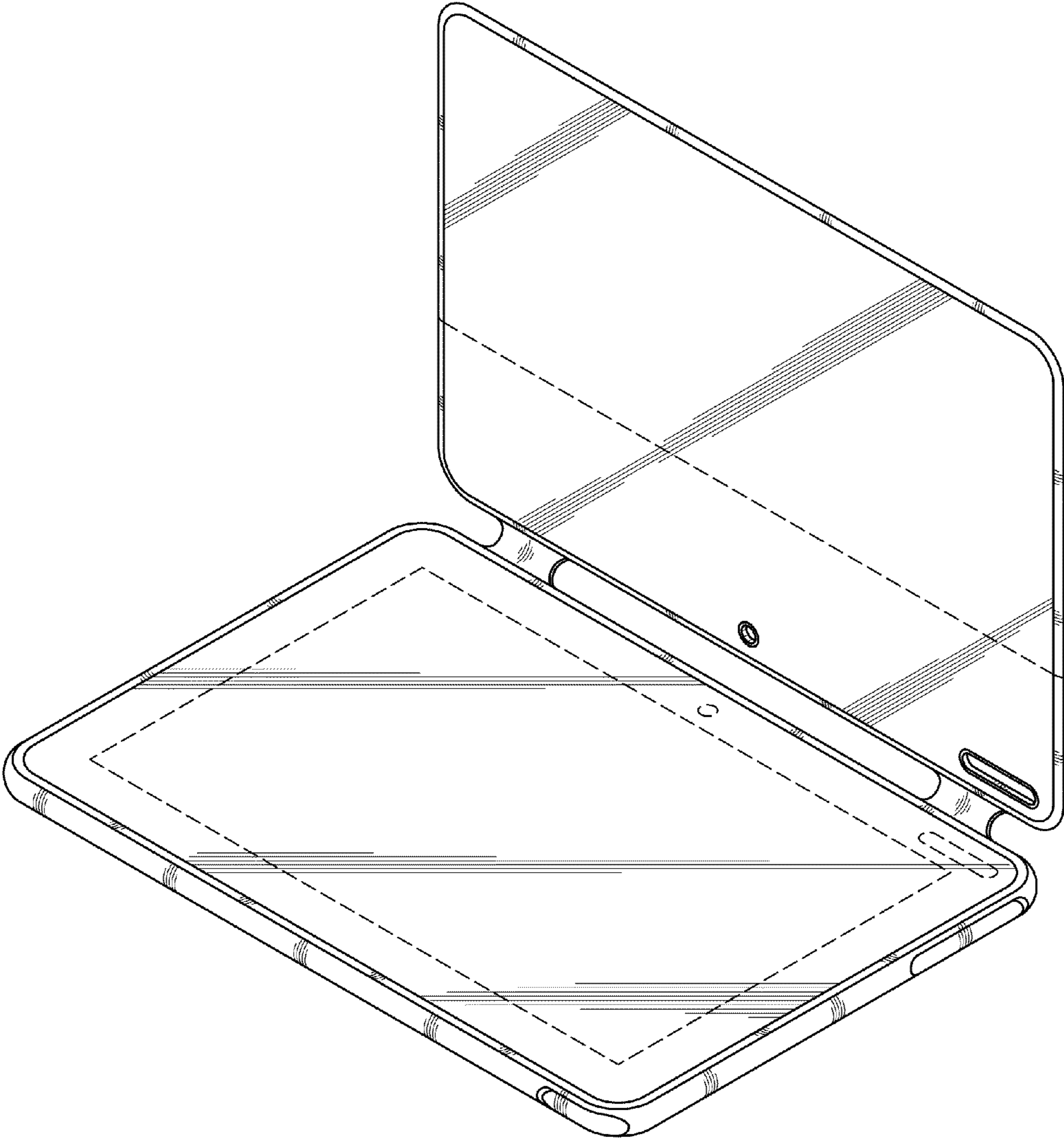


FIG.8

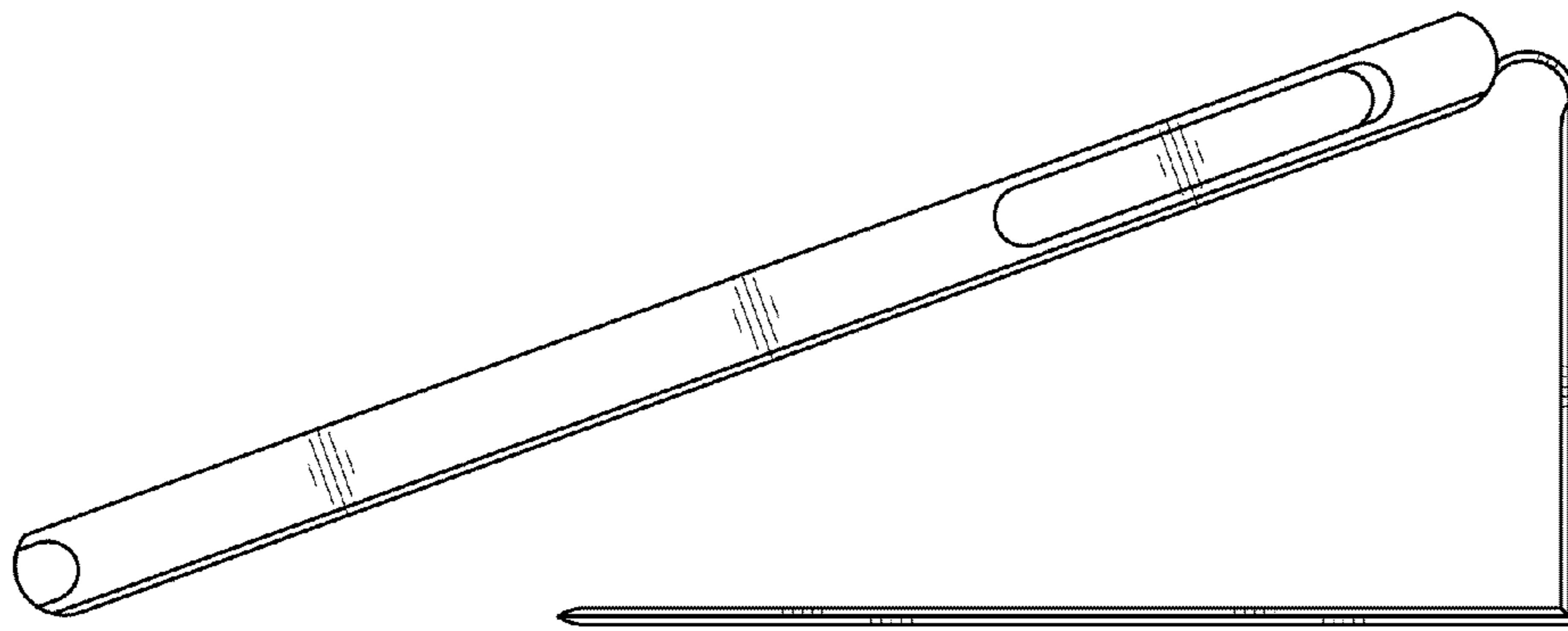


FIG.9