



US00D720744S

(12) **United States Design Patent**  
**Sale et al.**

(10) **Patent No.:** **US D720,744 S**  
(45) **Date of Patent:** **\*\* Jan. 6, 2015**

(54) **DISPLAY DEVICE**  
(71) Applicant: **Diversiary Therapy Technologies Pty Ltd**, Toowong, Queensland (AU)  
(72) Inventors: **Robert Charles Sale**, Pullenvale (AU); **Mark Robert Guthrie**, Pullenvale (AU)  
(73) Assignee: **Diversiary Therapy Technologies Pty Ltd.**, Toowong, Queensland (AU)  
(\*\*) Term: **14 Years**

D622,250 S *	8/2010	Kwon et al.	.....	D14/138 G
D626,109 S *	10/2010	Kim et al.	.....	D14/138 AD
D637,992 S *	5/2011	Tom et al.	.....	D14/138 G
D640,699 S *	6/2011	McParland	.....	D14/434
D642,979 S *	8/2011	Chun et al.	.....	D13/108
D645,442 S *	9/2011	Landwehr	.....	D14/138 G
D650,349 S *	12/2011	Tom et al.	.....	D14/138 G
D657,336 S *	4/2012	Nilsen et al.	.....	D14/138 G
D669,851 S *	10/2012	Ikegame	.....	D13/108
D669,892 S *	10/2012	Hofer et al.	.....	D14/341
D672,767 S *	12/2012	Yoneya et al.	.....	D14/341
D675,204 S *	1/2013	Hofer et al.	.....	D14/341
D675,205 S *	1/2013	Hofer et al.	.....	D14/341

(21) Appl. No.: **29/436,120**  
(22) Filed: **Nov. 1, 2012**  
(30) **Foreign Application Priority Data**  
May 2, 2012 (AU) ..... 12142/2012  
May 2, 2012 (AU) ..... 12688/2012  
May 2, 2012 (AU) ..... 12689/2012

\* cited by examiner

*Primary Examiner* — Barbara Fox

(74) *Attorney, Agent, or Firm* — Barnes & Thornburg LLP

(51) **LOC (10) Cl.** ..... **14-02**  
(52) **U.S. Cl.**  
USPC ..... **D14/341**

(57) **CLAIM**

The ornamental design for a display device, as shown and described.

(58) **Field of Classification Search**  
USPC ..... D14/341–347, 137, 138 R, 138 AA, D14/138 C, 138 G, 496, 203.1, 203.3, 203.4, D14/203.7, 129, 130, 147, 218, 248, 389, D14/388, 426, 420; D10/65, 104.1; D18/6–7; D21/324, 329, 330; 455/556.1, 556.2, 566, 575.1, 90.3; 379/433.04, 433.01, 433.06, 916; 345/173, 901, 905; 361/679.26, 679.3, 361/679.55, 679.56

**DESCRIPTION**

FIG. 1 is an isometric view from above and front of our display device showing the new design;  
FIG. 2 is an isometric view from above and rear thereof,  
FIG. 3 is a front view thereof,  
FIG. 4 is a rear view thereof,  
FIG. 5 is a top plan view thereof,  
FIG. 6 is a bottom plan view thereof,  
FIG. 7 is an elevational view of the left side thereof; and,  
FIG. 8 is an elevational view of the right side thereof.  
The broken lines shown in the drawings represent portions of the display device which form no part of the claimed design.

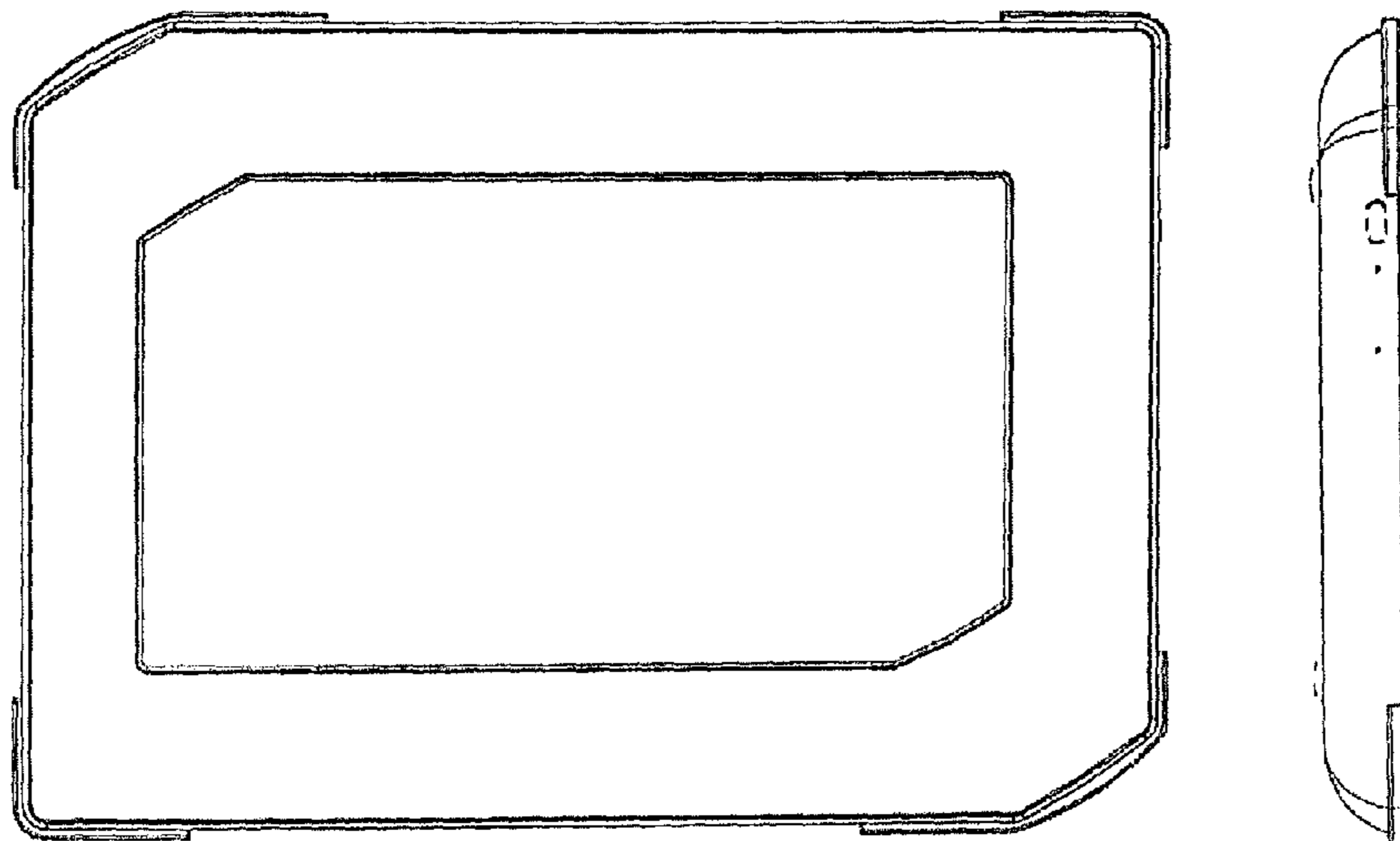
See application file for complete search history.

(56) **References Cited**

**U.S. PATENT DOCUMENTS**

D580,856 S *	11/2008	Haspil et al.	.....	D13/108
D587,704 S *	3/2009	McCoy	.....	D14/345

**1 Claim, 3 Drawing Sheets**



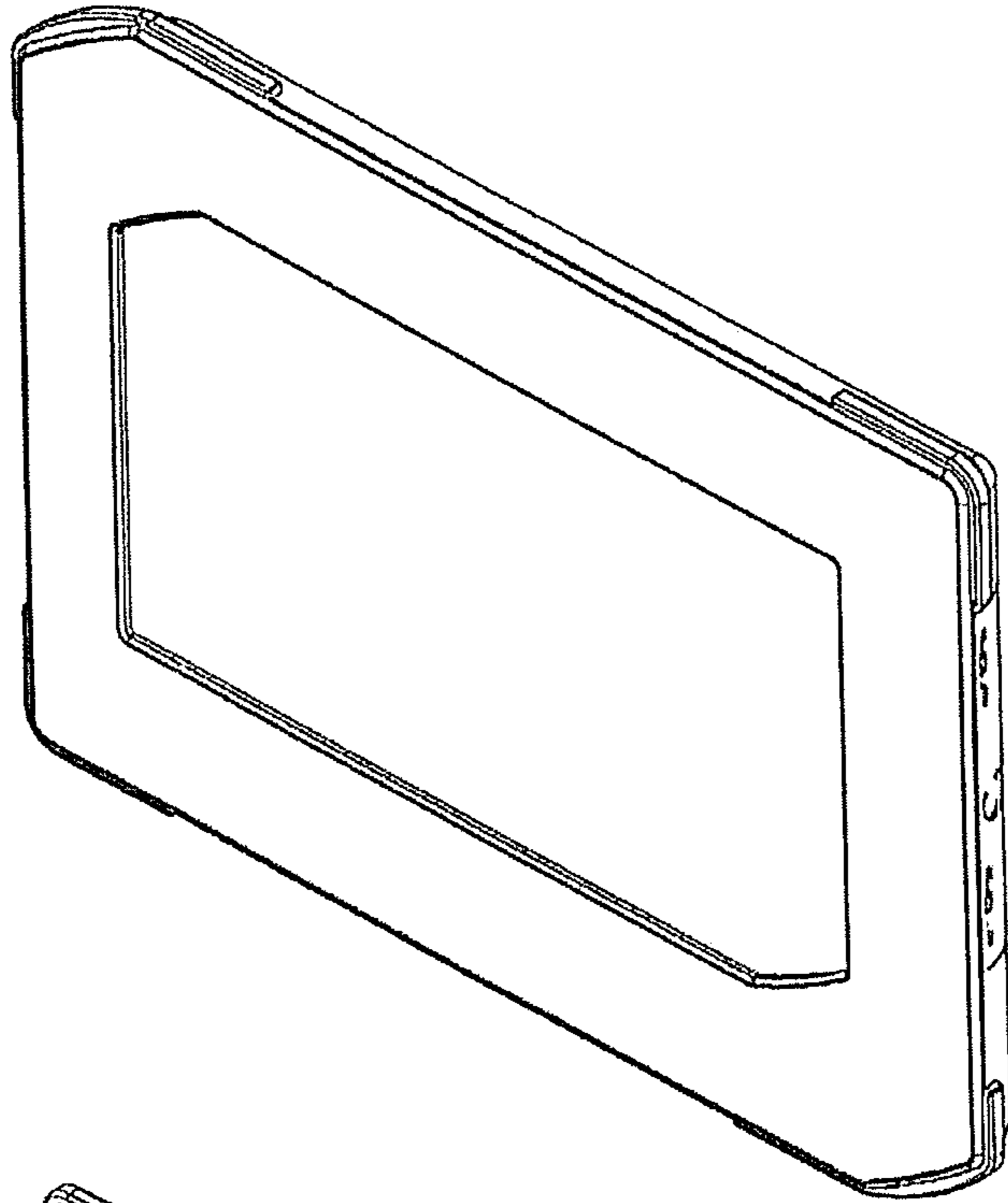


Fig. 1

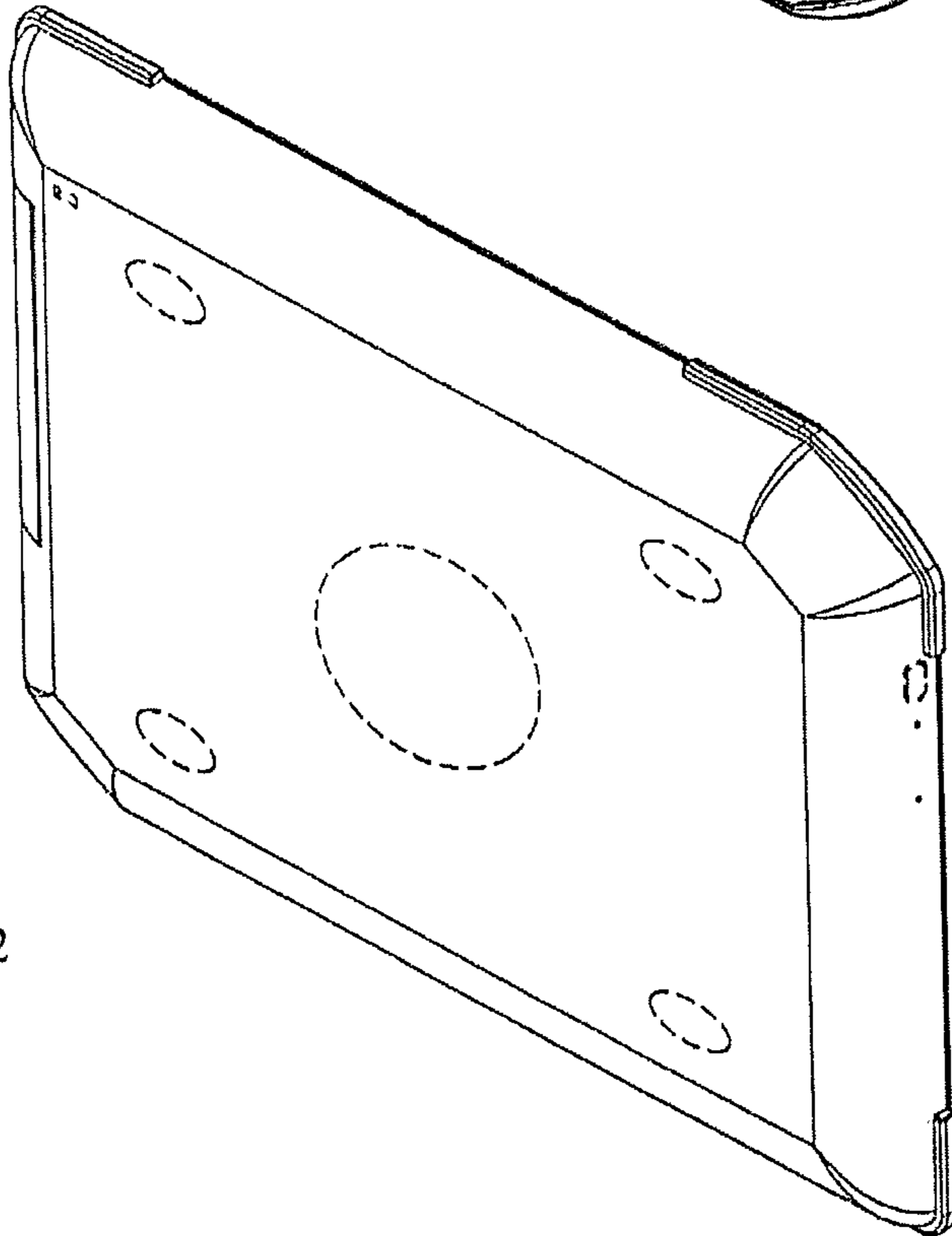


Fig. 2

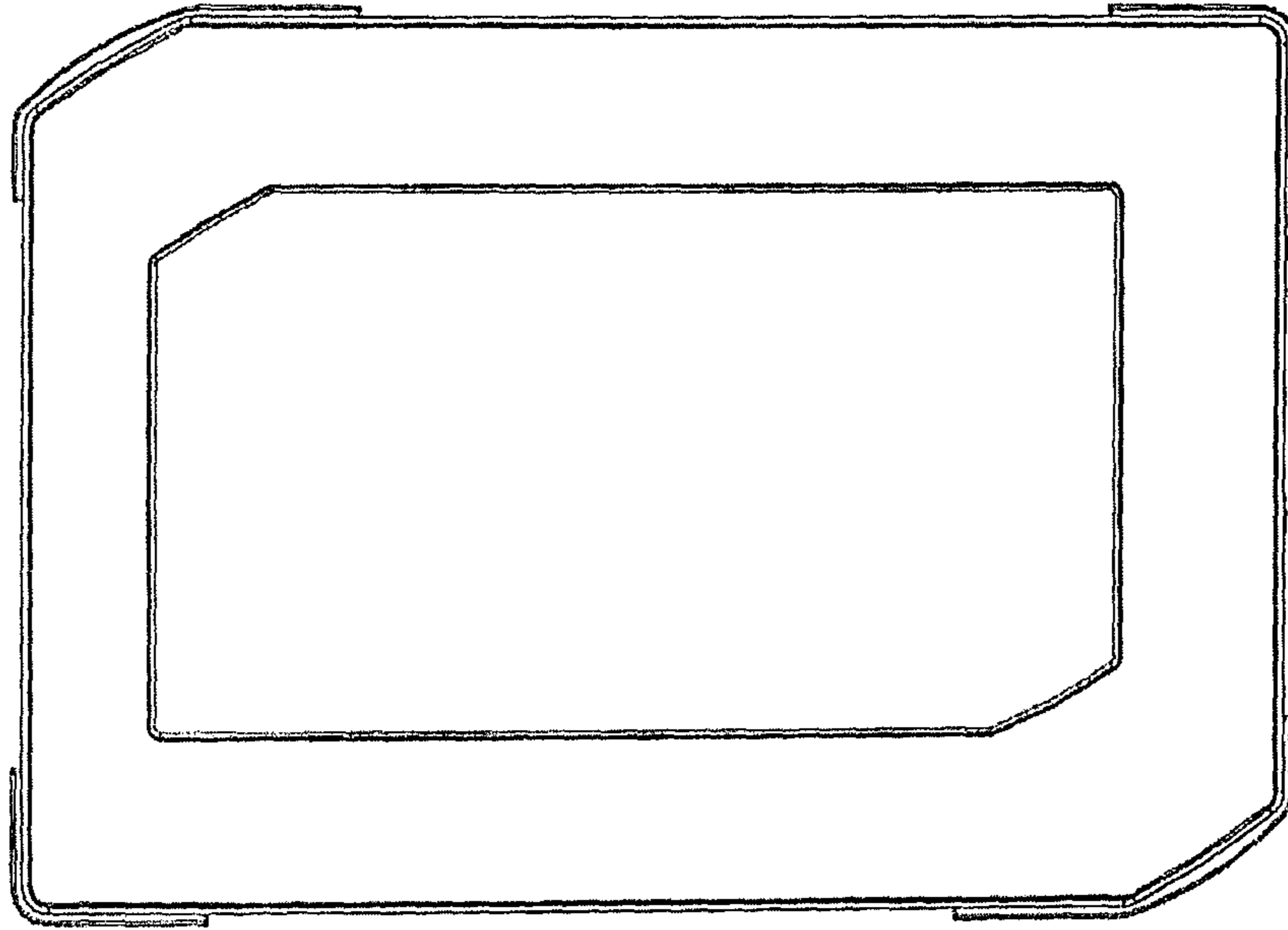


Fig. 3

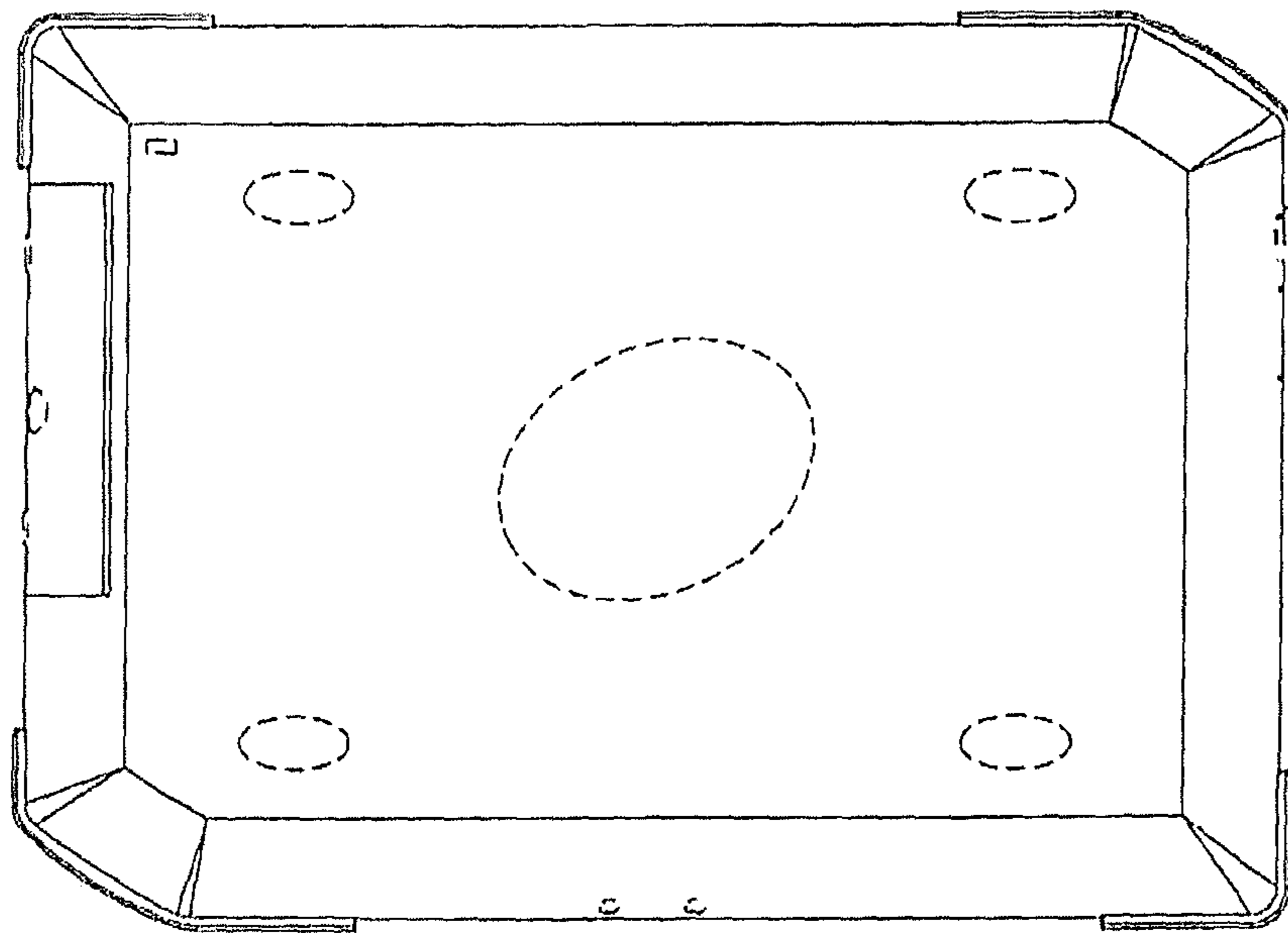


Fig. 4

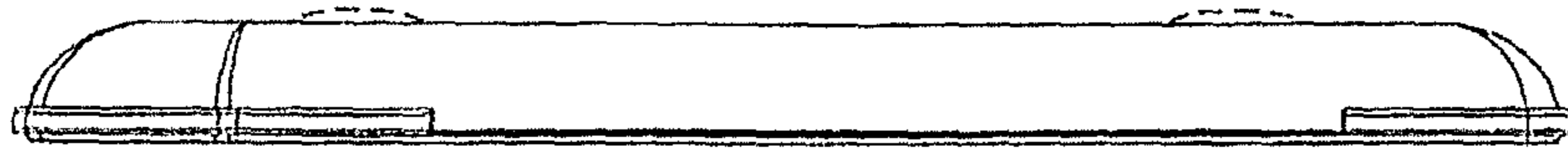


Fig. 5



Fig. 6

Fig. 7



Fig. 8

