



US00D720743S

(12) **United States Design Patent**
Leonard et al.

(10) **Patent No.:** **US D720,743 S**
(45) **Date of Patent:** **** Jan. 6, 2015**

(54) **INFORMATION HANDLING SYSTEM HOUSING**

(71) Applicant: **Dell Products L.P.**, Round Rock, TX (US)

(72) Inventors: **Brian Hargrove Leonard**, Austin, TX (US); **Weijong Sheu**, Austin, TX (US)

(73) Assignee: **Dell Products L.P.**, Round Rock, TX (US)

(**) Term: **14 Years**

(21) Appl. No.: **29/465,869**

(22) Filed: **Sep. 3, 2013**

(51) **LOC (10) Cl.** **14-02**

(52) **U.S. Cl.**
USPC **D14/316**

(58) **Field of Classification Search**
USPC D14/315-327; D18/1, 2, 7, 11;
235/145 A, 145 R; 341/22, 23; 345/104,
345/156, 168, 169, 173; 361/679.08,
361/679.09, 679.11, 679.26, 679.27
See application file for complete search history.

(56) **References Cited**

U.S. PATENT DOCUMENTS

6,847,520 B2 *	1/2005	Hashimoto	361/679.01
6,870,740 B2 *	3/2005	Hsu et al.	361/732
D506,752 S *	6/2005	Huh	D14/316
D606,535 S *	12/2009	Morooka et al.	D14/316
D643,426 S *	8/2011	Arun	D14/316
2004/0083577 A1 *	5/2004	Lu et al.	16/367

* cited by examiner

Primary Examiner — Freda S Nunn

(74) *Attorney, Agent, or Firm* — Terrile, Cannatti, Chambers & Holland, LLP; Stephen A. Terrile

(57) **CLAIM**

We claim the ornamental design for an information handling system housing, as shown and described.

DESCRIPTION

FIG. 1 is a front perspective view of the information handling system housing in a closed position comprising the present invention;

FIG. 2 is a front view thereof;

FIG. 3 is a rear view thereof;

FIG. 4 is a left side view thereof;

FIG. 5 is a right side view thereof;

FIG. 6 is a top view thereof;

FIG. 7 is a bottom view thereof;

FIG. 8 is a bottom perspective view thereof;

FIG. 9 is a rear perspective view thereof in a partially open position;

FIG. 10 is another rear perspective view thereof in a partially open position;

FIG. 11 is another rear perspective view thereof;

FIG. 12 is another rear perspective view thereof;

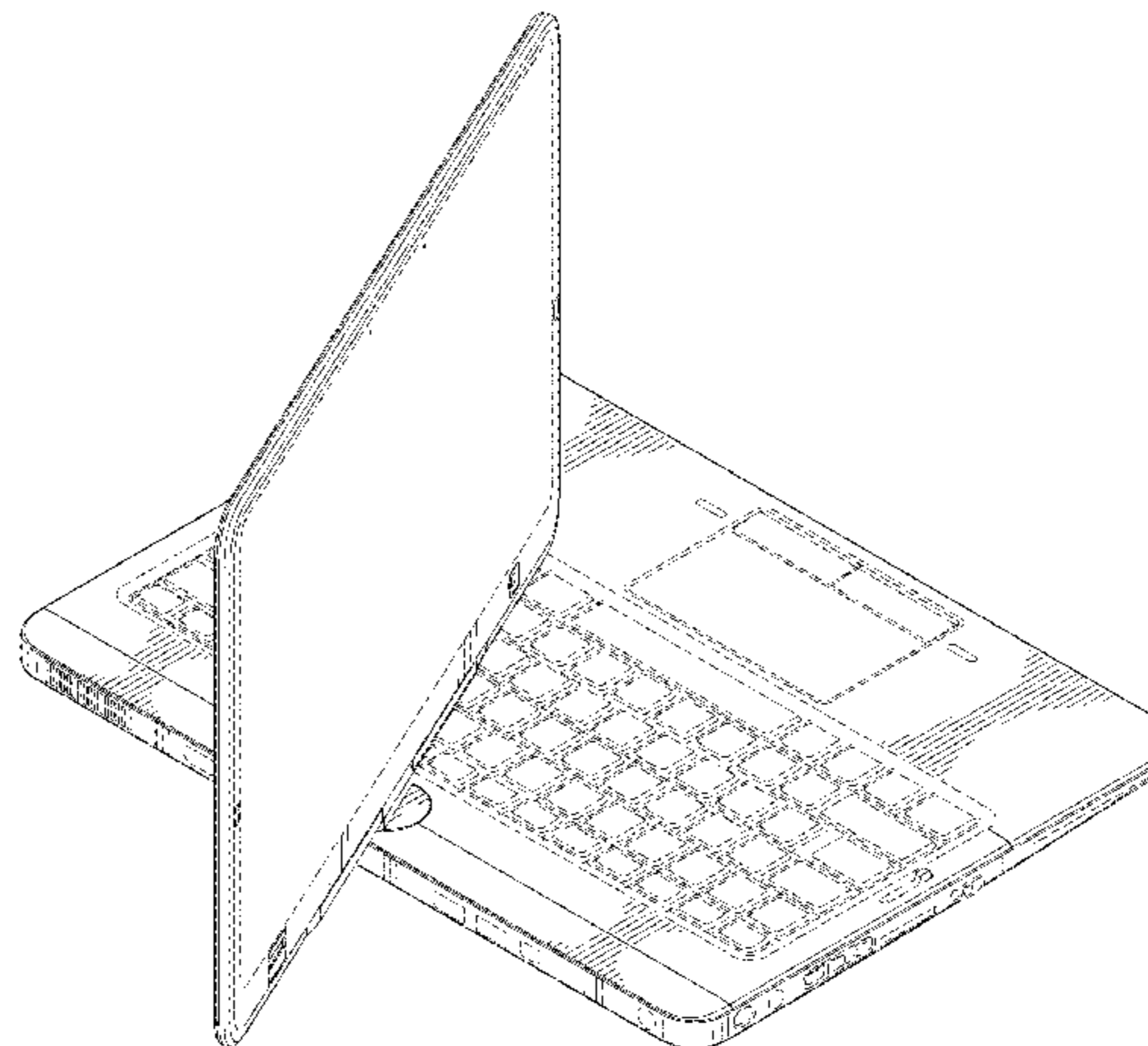
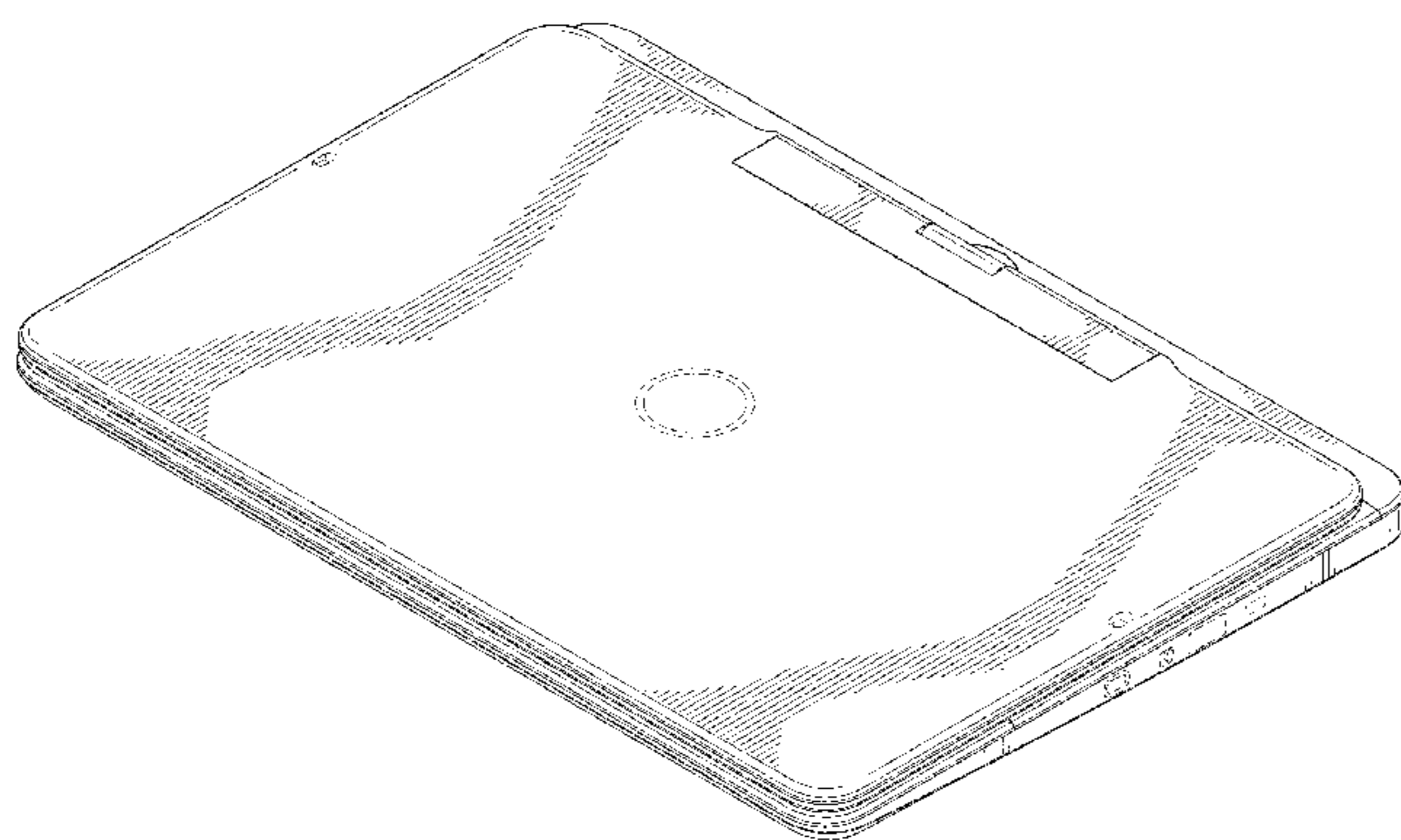
FIG. 13 is another rear perspective view thereof;

FIG. 14 is another rear perspective view thereof; and,

FIG. 15 is another rear perspective view thereof.

Broken lines shown in the drawings illustrate portions of the information handling system housing, and form no part of the claimed design.

1 Claim, 12 Drawing Sheets



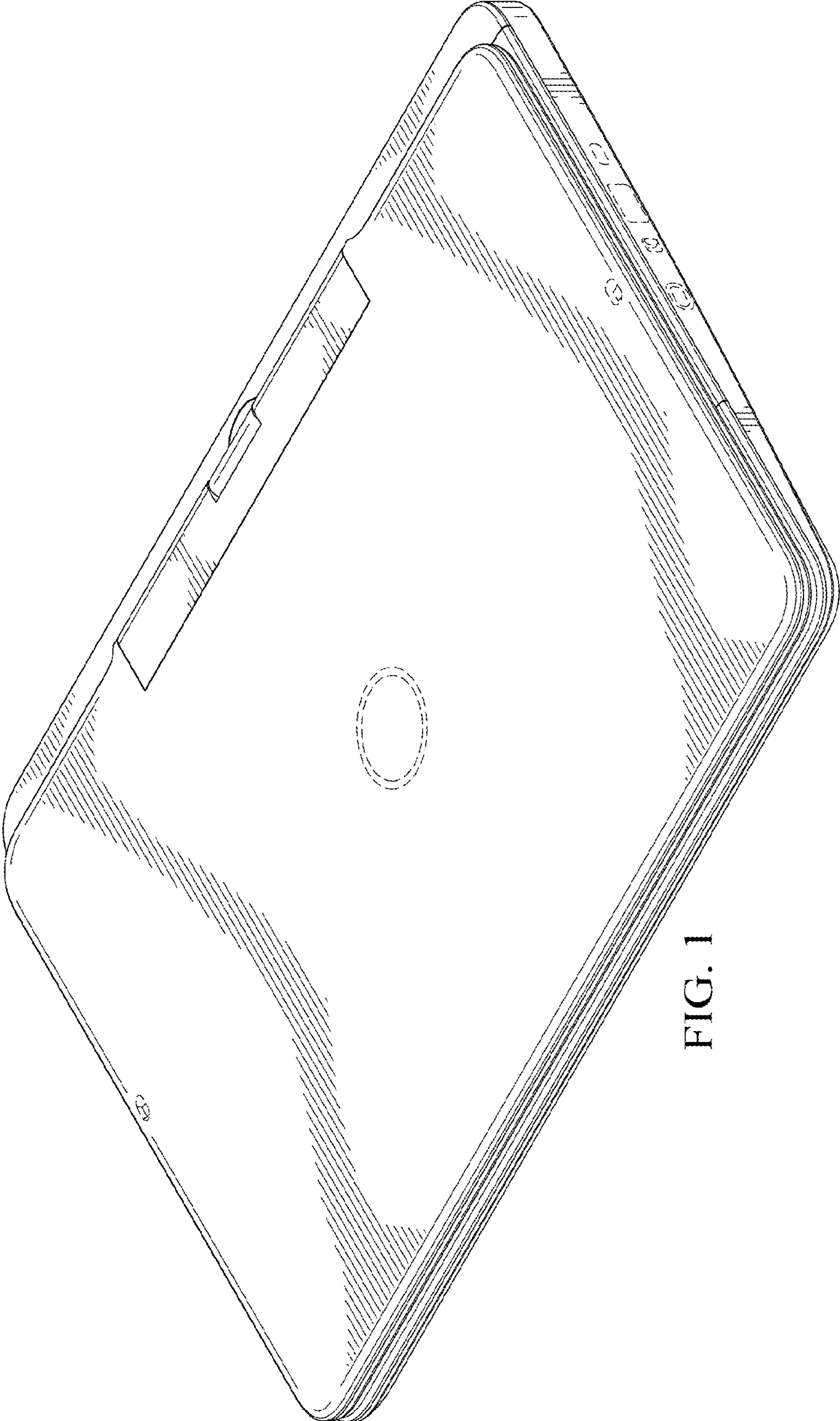


FIG. 1



FIG. 2

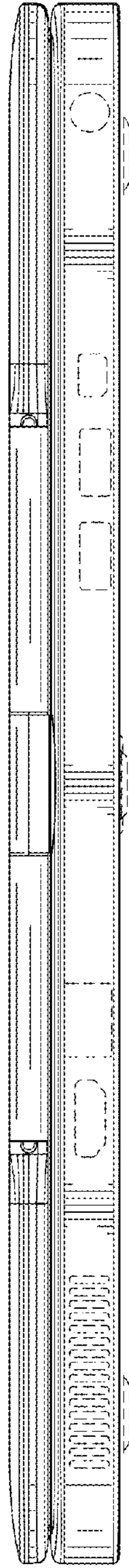


FIG. 3

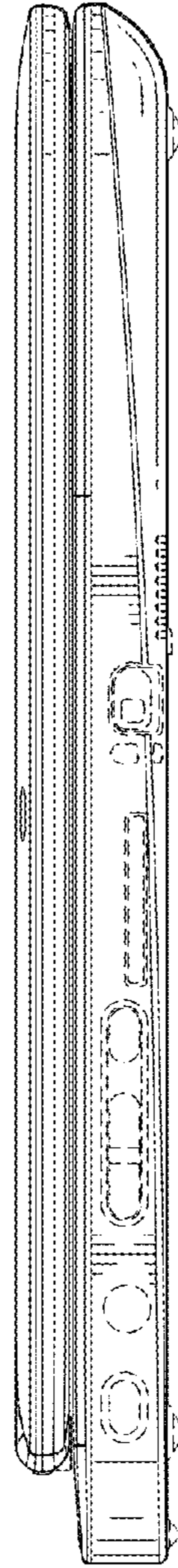


FIG. 4

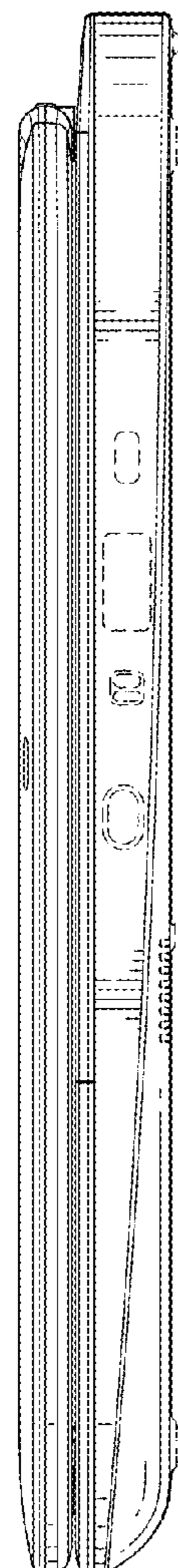


FIG. 5

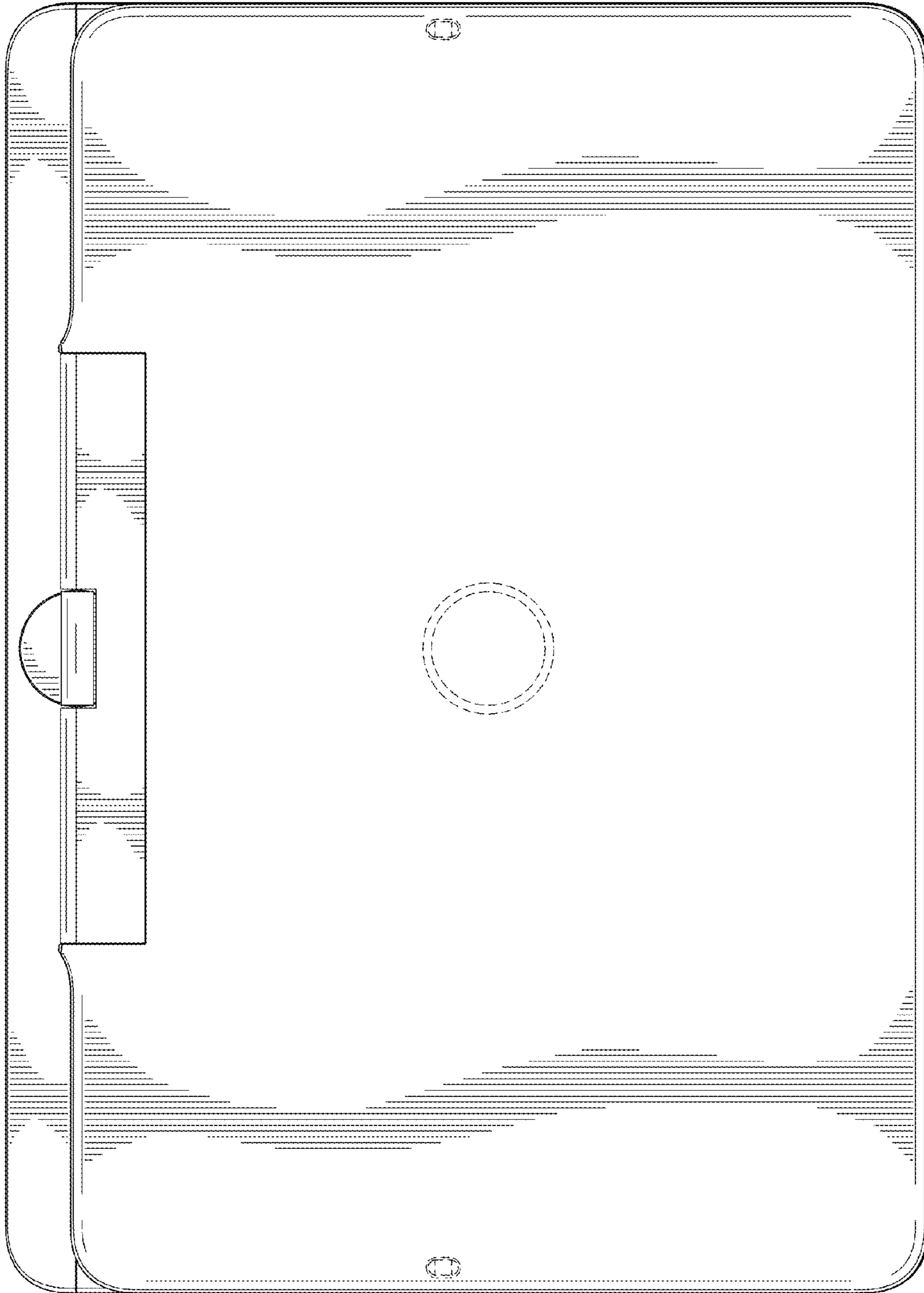


FIG. 6

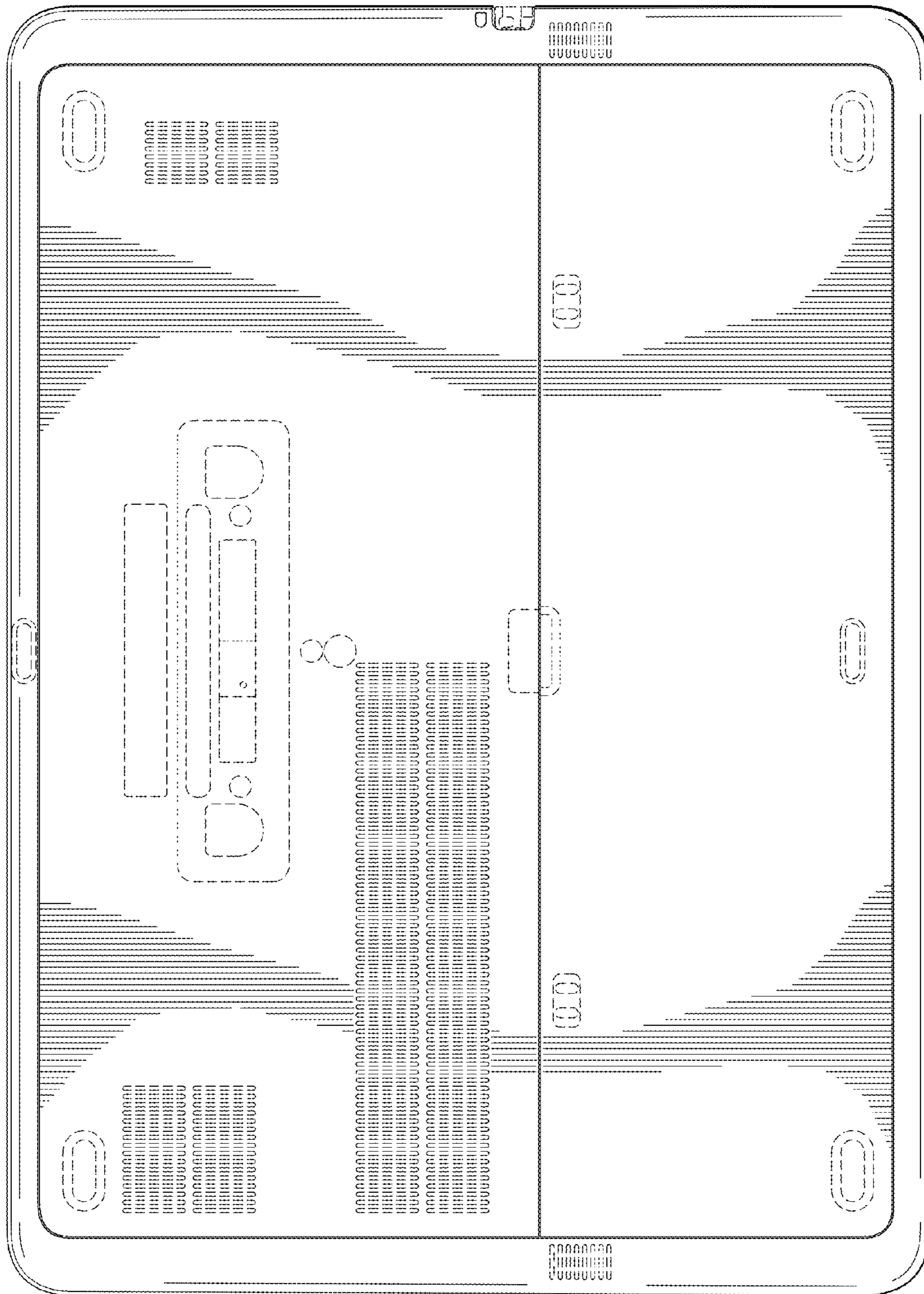


FIG. 7

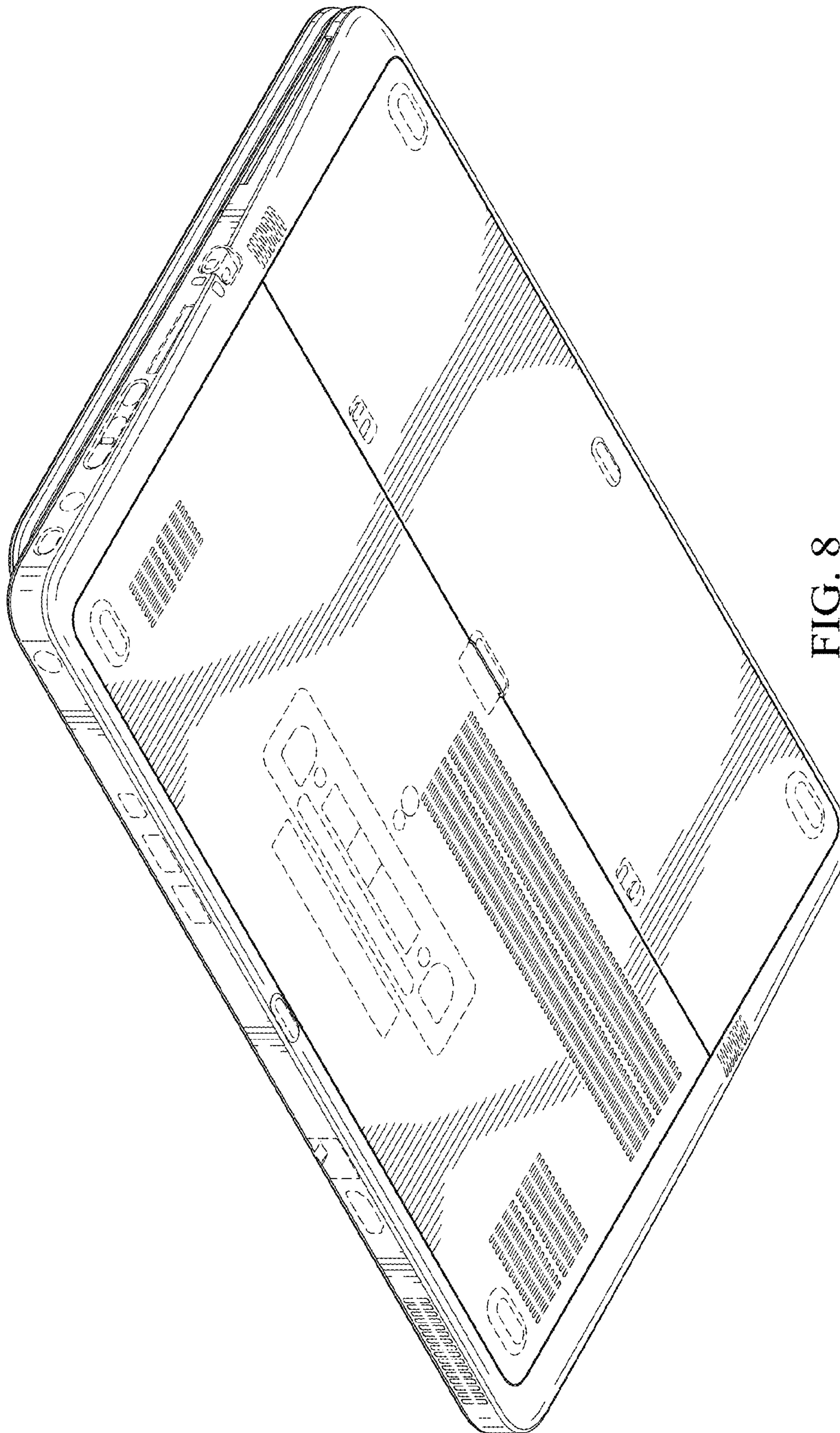


FIG. 8

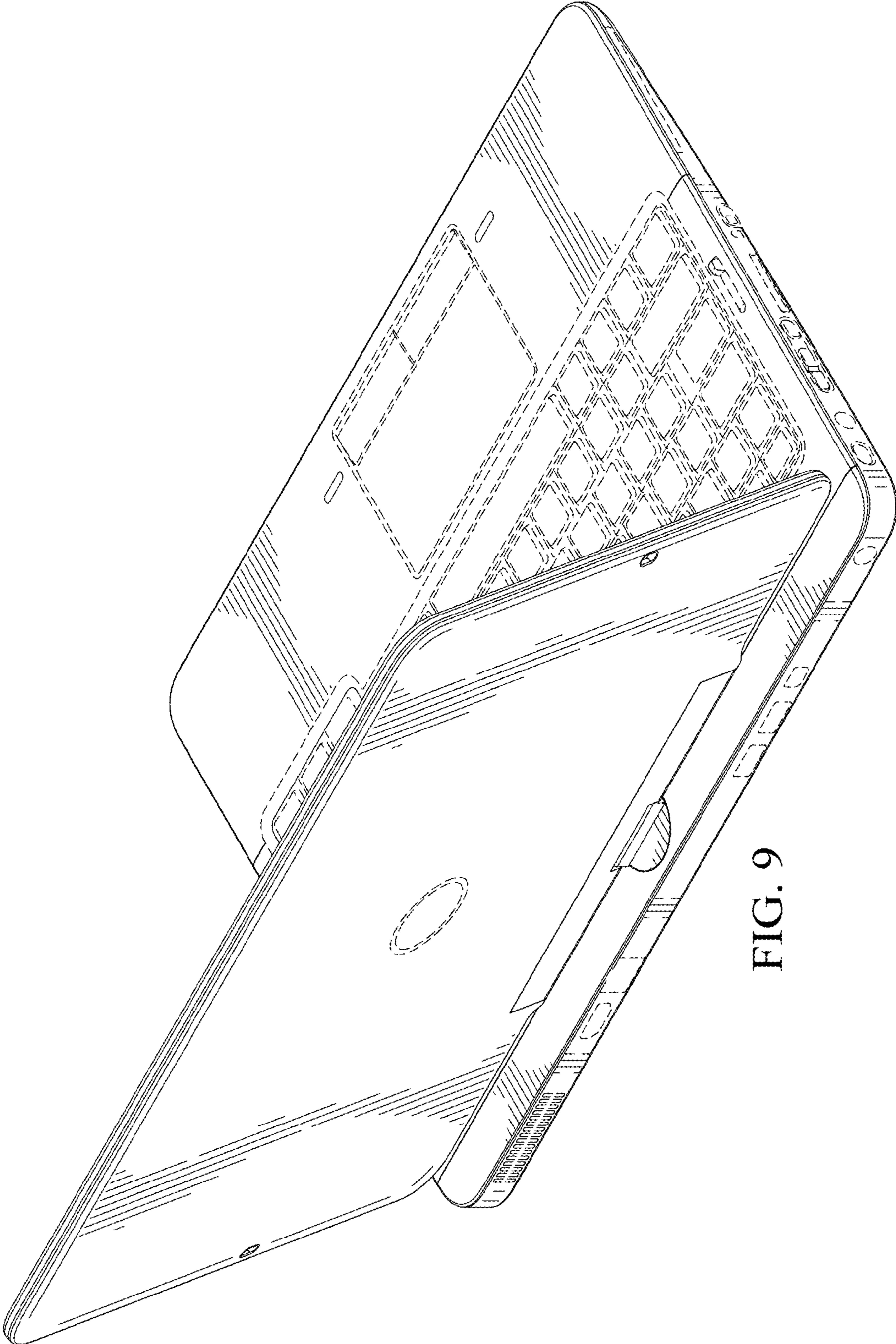


FIG. 9

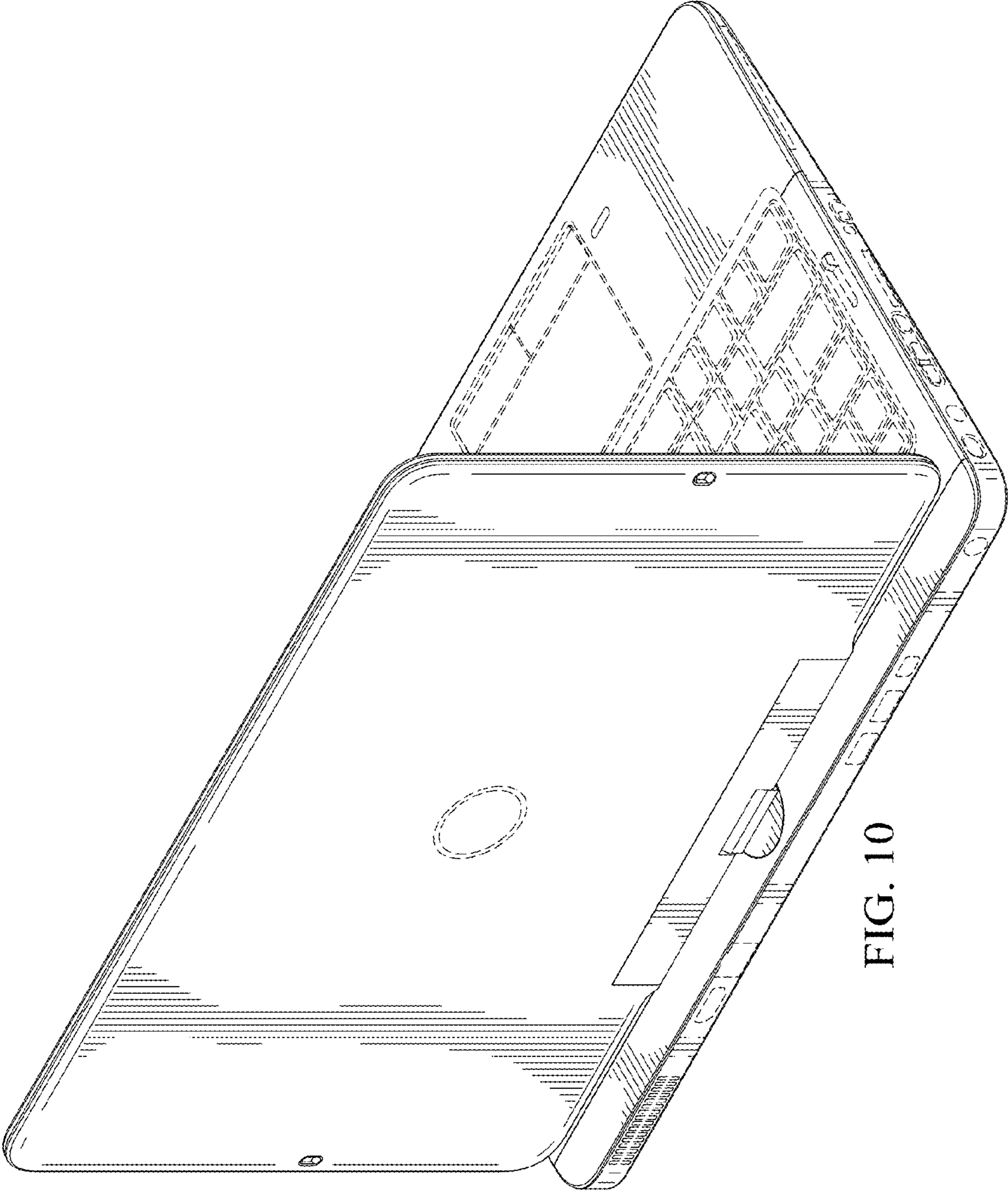


FIG. 10

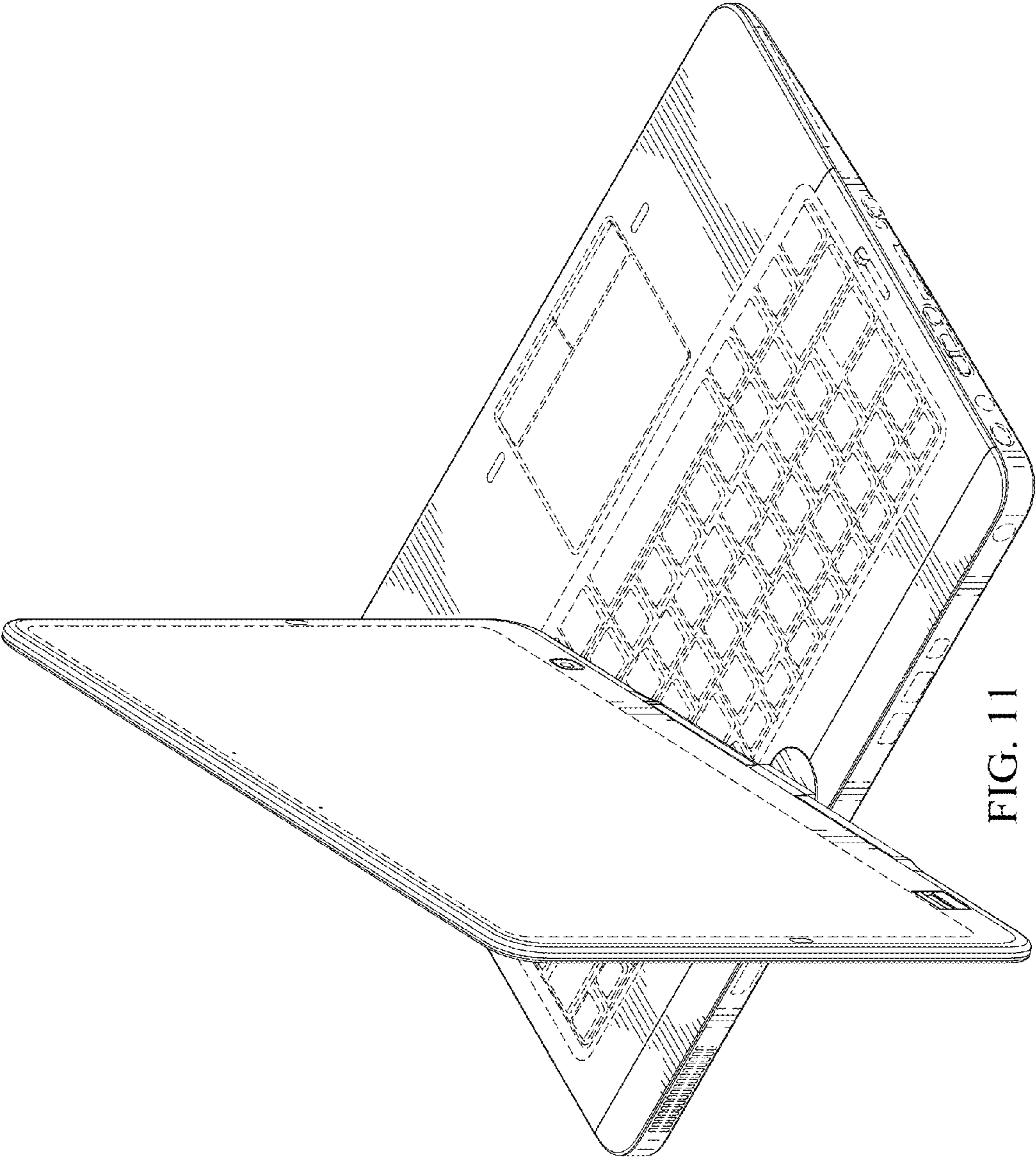


FIG. 11

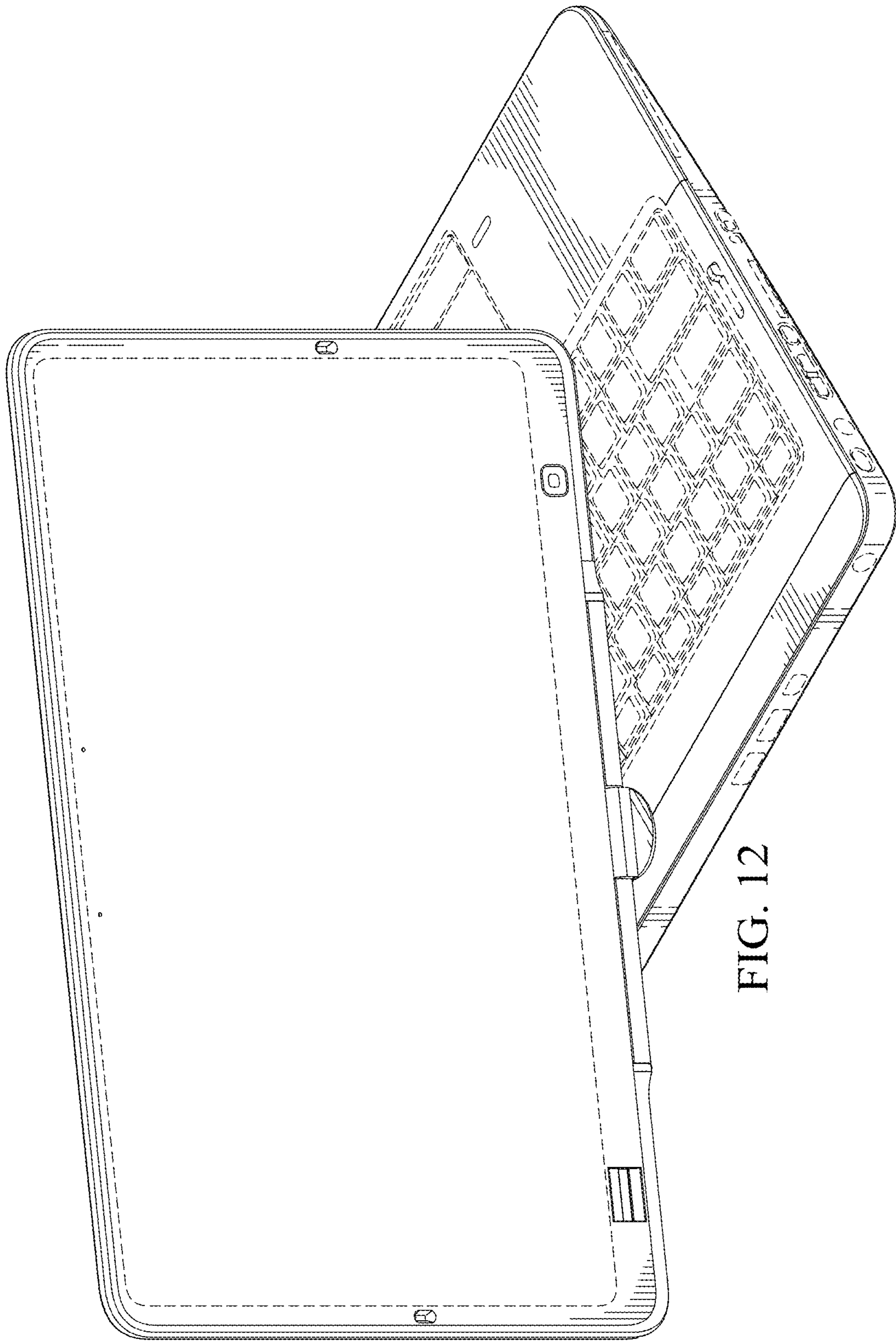


FIG. 12

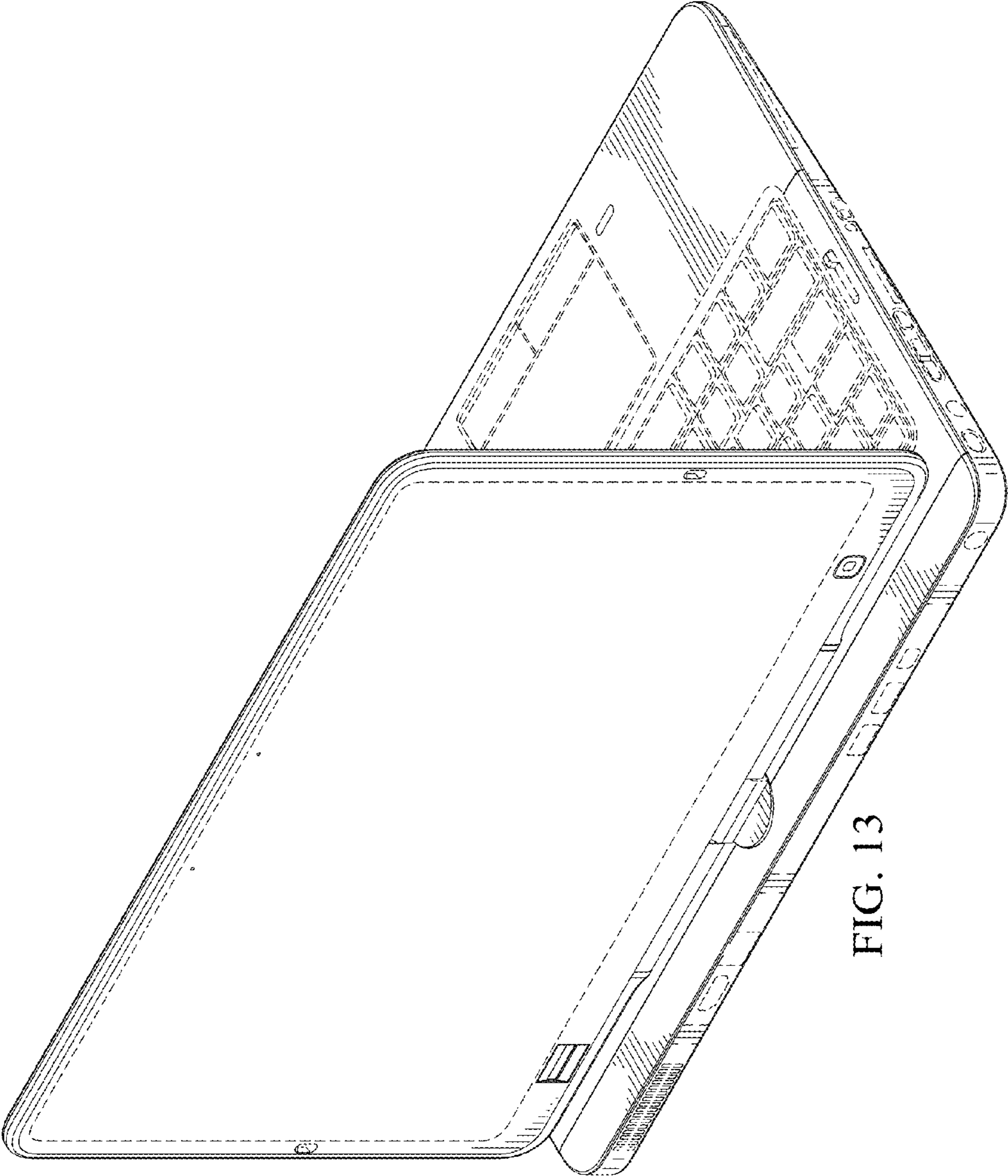


FIG. 13

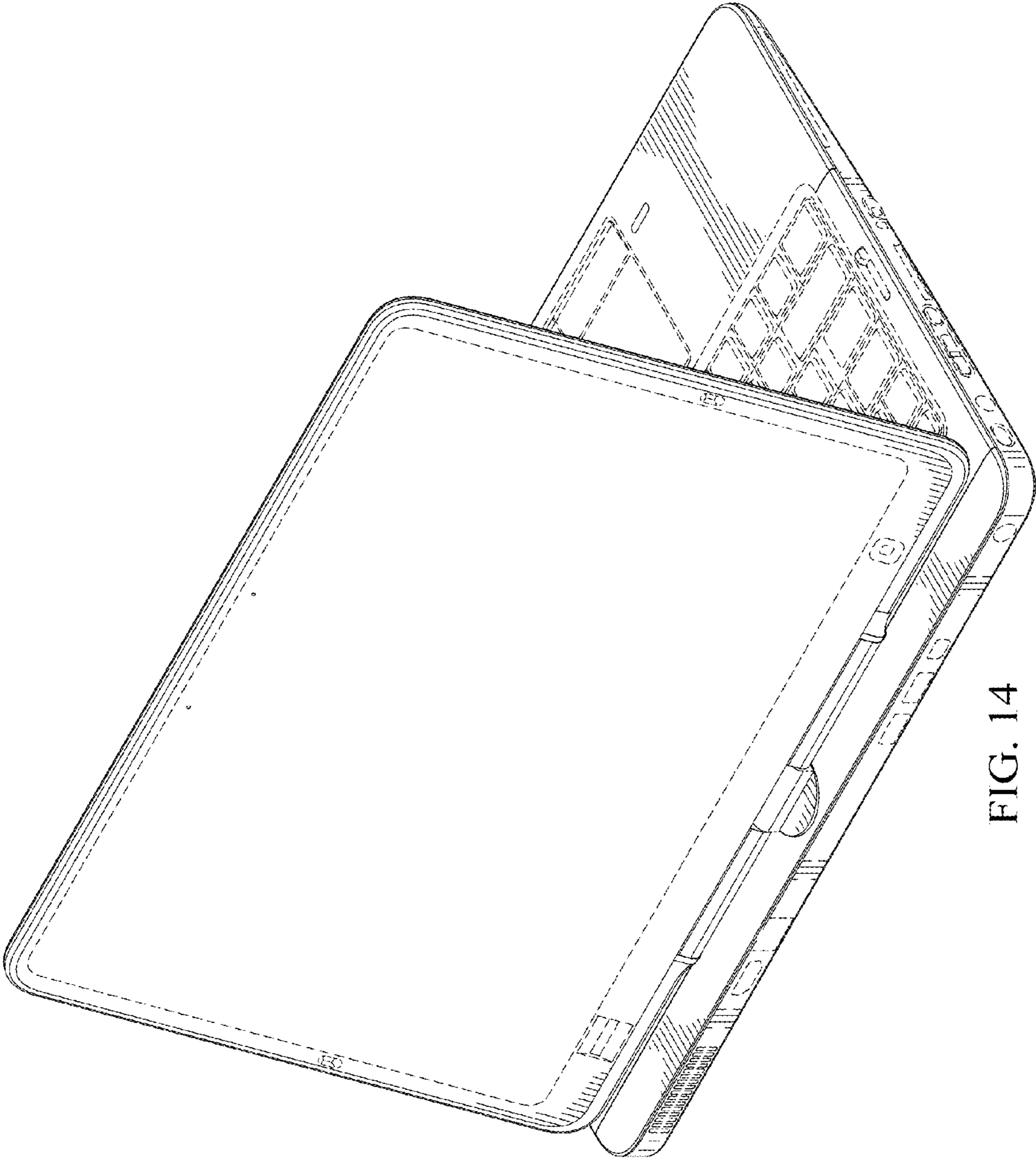


FIG. 14

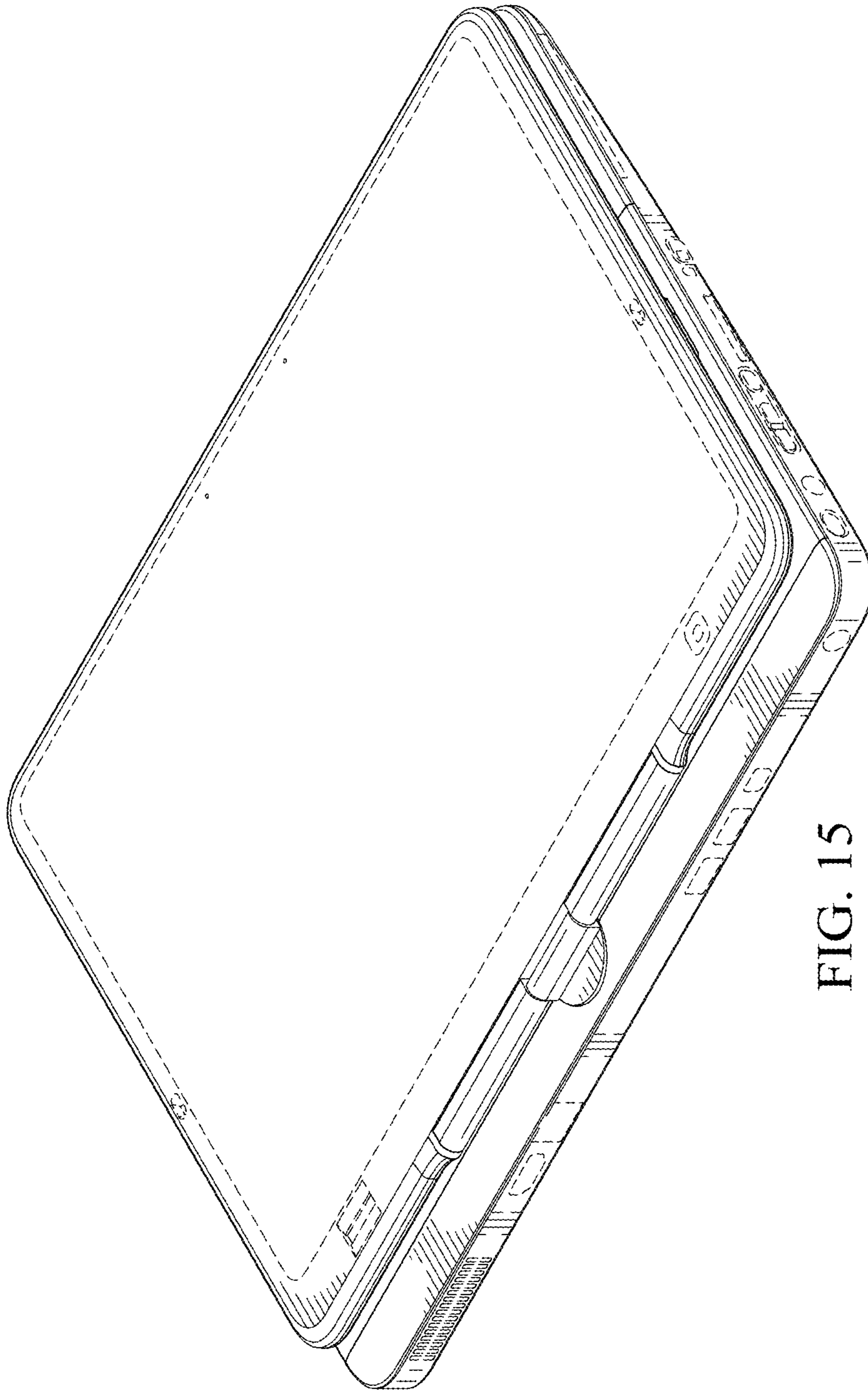


FIG. 15