



US00D720741S

(12) **United States Design Patent**
Leonard et al.

(10) **Patent No.:** **US D720,741 S**
(45) **Date of Patent:** **** Jan. 6, 2015**

(54) **INFORMATION HANDLING SYSTEM HOUSING**

(71) Applicant: **Dell Products L.P.**, Round Rock, TX (US)

(72) Inventors: **Brian Hargrove Leonard**, Austin, TX (US); **Cecilia Hsiao Sun**, Austin, TX (US); **Joshua Young Probst**, Austin, TX (US)

(73) Assignee: **Dell Products L.P.**, Round Rock, TX (US)

(**) Term: **14 Years**

(21) Appl. No.: **29/464,690**

(22) Filed: **Aug. 20, 2013**

(51) **LOC (10) Cl.** **14-02**

(52) **U.S. Cl.**

USPC **D14/315**

(58) **Field of Classification Search**

USPC D14/315-327, 341, 345; D18/1, 2, 7, D18/11; 235/145 A, 145 R; 341/22, 23; 345/104, 156, 168, 169, 173; 361/679.08, 679.09, 679.11, 679.26, 361/679.27; 16/367

See application file for complete search history.

(56) **References Cited**

U.S. PATENT DOCUMENTS

6,091,600 A * 7/2000 Jeong 361/679.12
D615,539 S * 5/2010 Jen D14/315

D624,911 S * 10/2010 Lee et al. D14/315
D645,855 S * 9/2011 Lin et al. D14/315
2004/0074050 A1 * 4/2004 Birtley 16/340
2005/0041378 A1 * 2/2005 Hamada et al. 361/680

* cited by examiner

Primary Examiner — Freda S Nunn

(74) *Attorney, Agent, or Firm* — Terrile, Cannatti, Chambers & Holland, LLP; Robert W. Holland

(57) **CLAIM**

We claim the ornamental design for the information handling system housing, as shown and described.

DESCRIPTION

FIG. 1 is a front perspective view of the information handling system housing in a closed position comprising the present invention;

FIG. 2 is a front side view thereof;

FIG. 3 is a rear side view thereof;

FIG. 4 is a right side view thereof;

FIG. 5 is a left side view thereof;

FIG. 6 is a top view thereof;

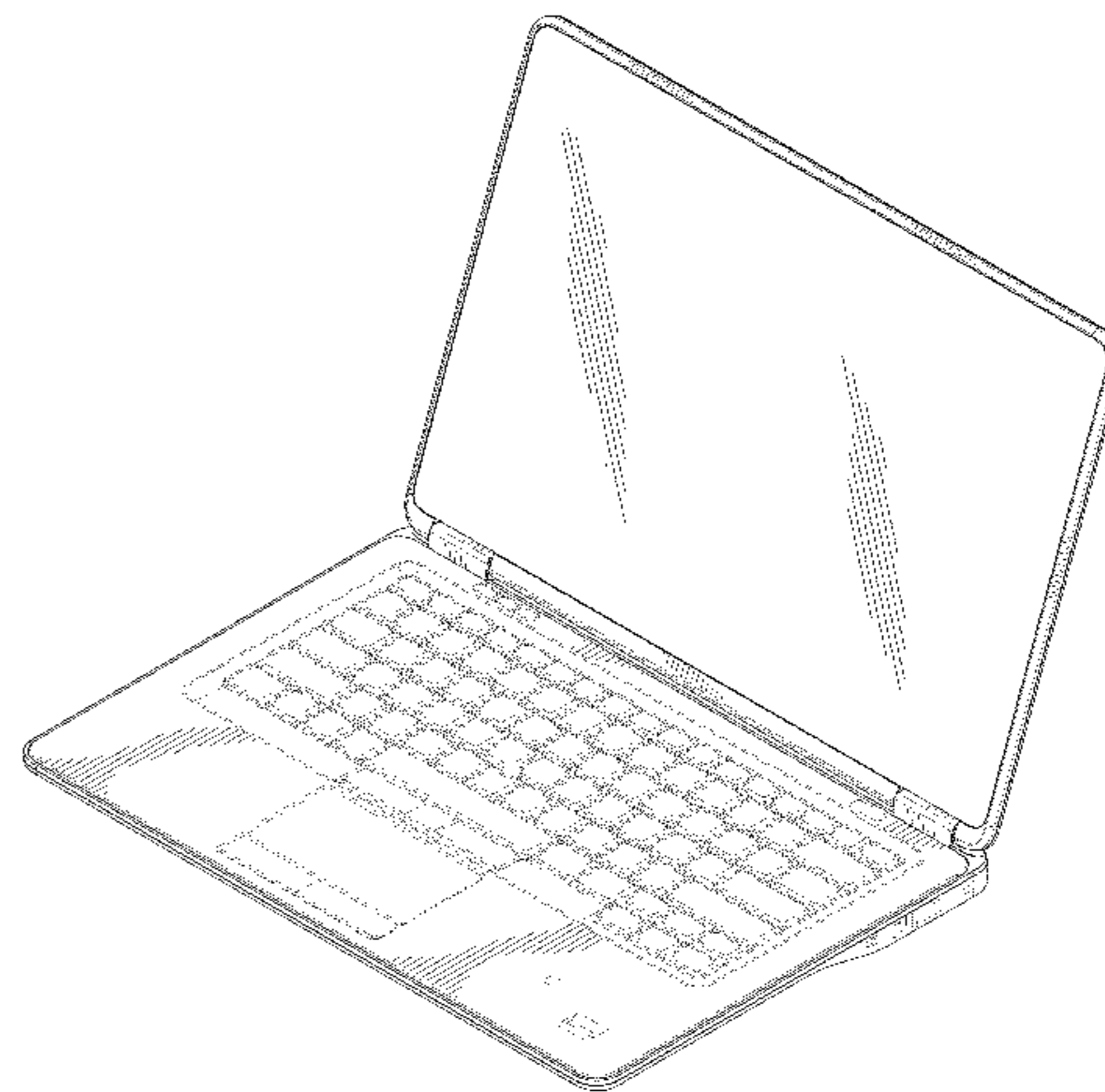
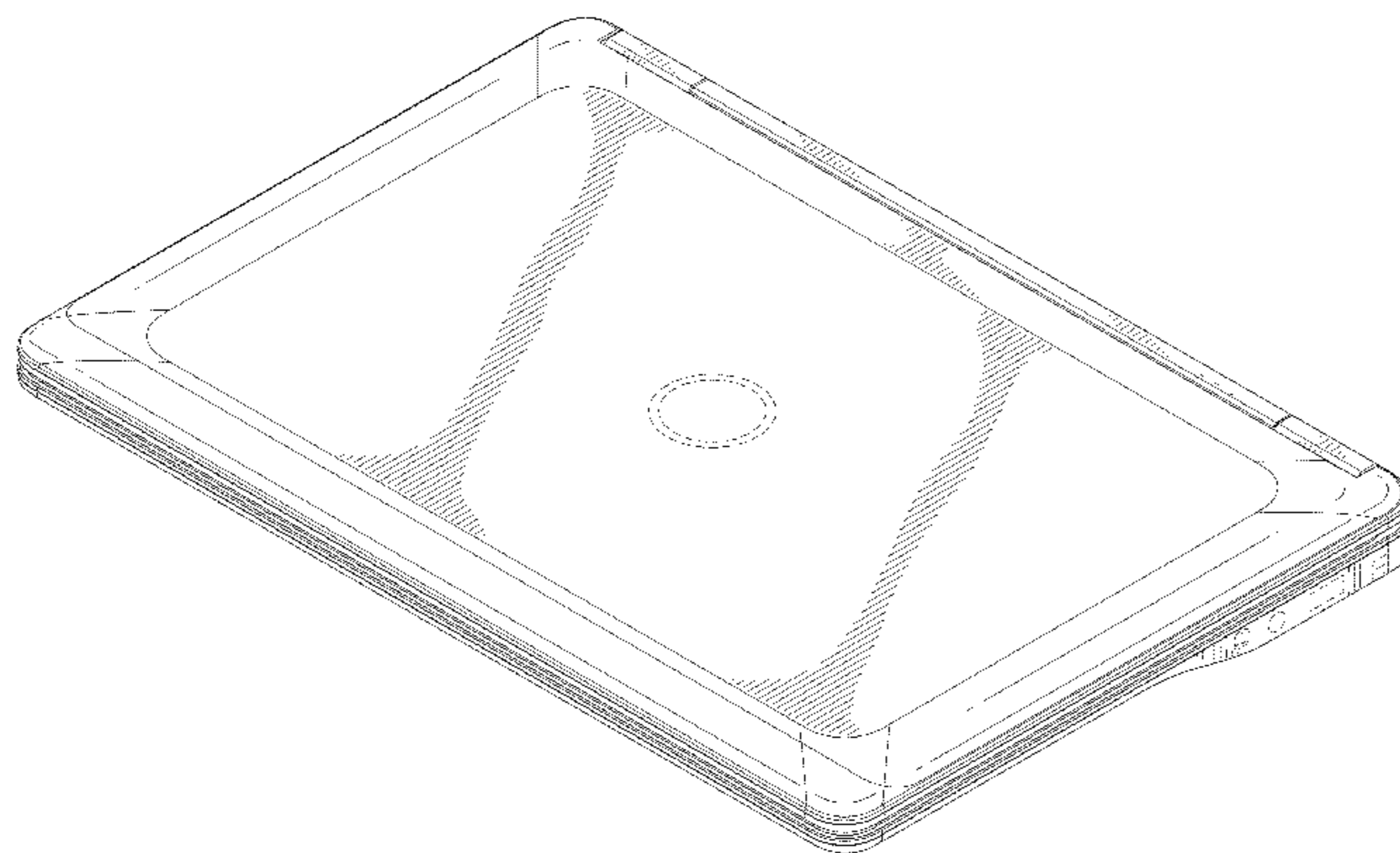
FIG. 7 is a bottom view thereof;

FIG. 8 is a bottom perspective view thereof; and,

FIG. 9 is a front perspective view in an open position thereof.

Broken lines shown in the drawings illustrate portions of the information handling system housing, and form no part of the claimed design.

1 Claim, 7 Drawing Sheets



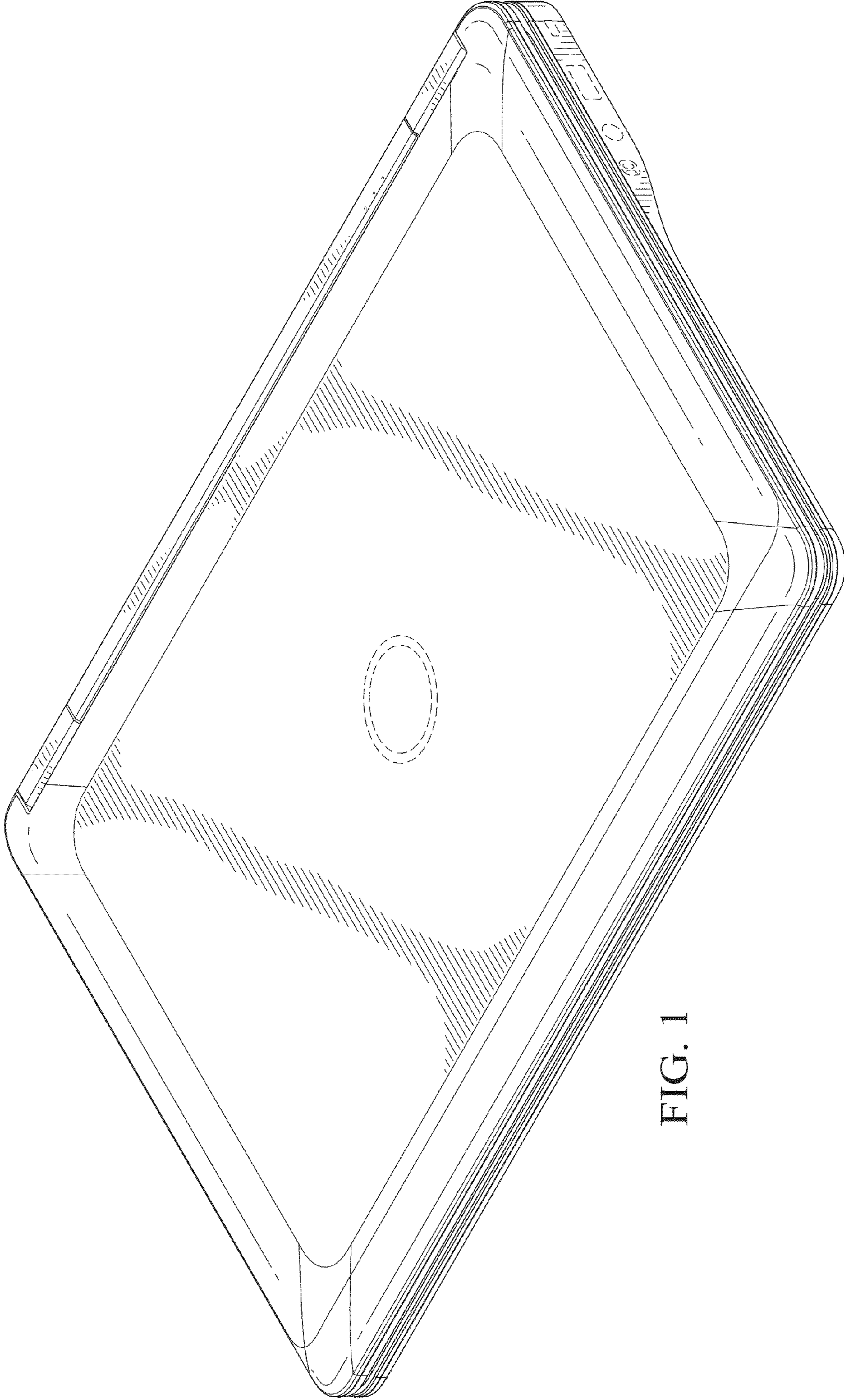


FIG. 1

FIG. 2

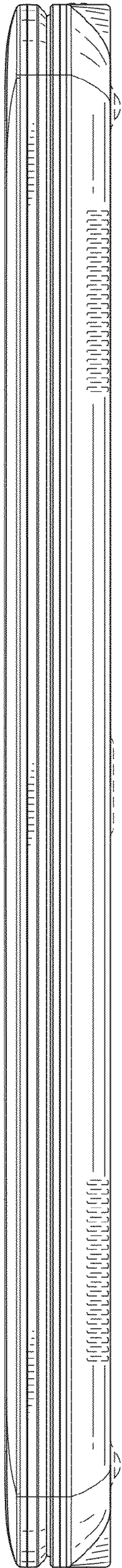


FIG. 3

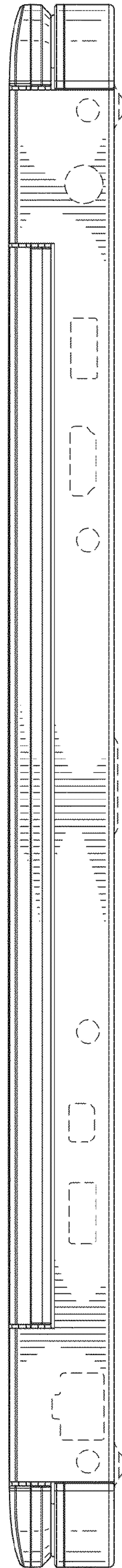


FIG. 4

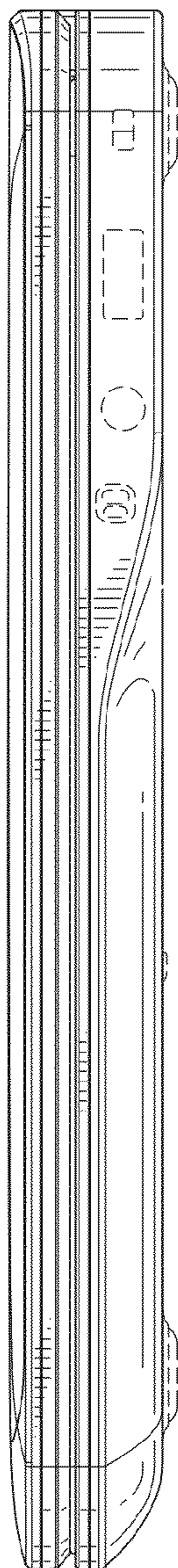


FIG. 5

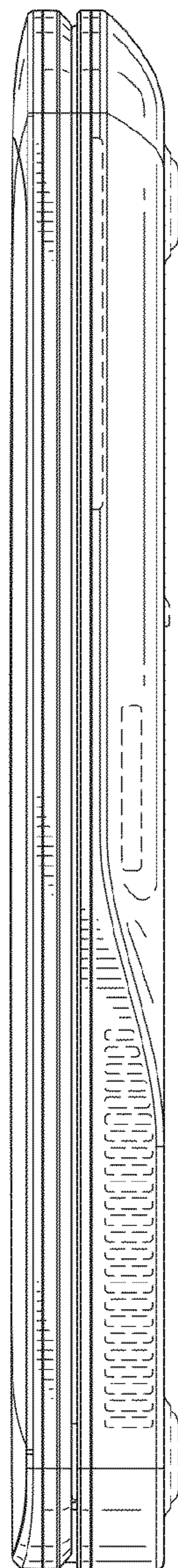


FIG. 6

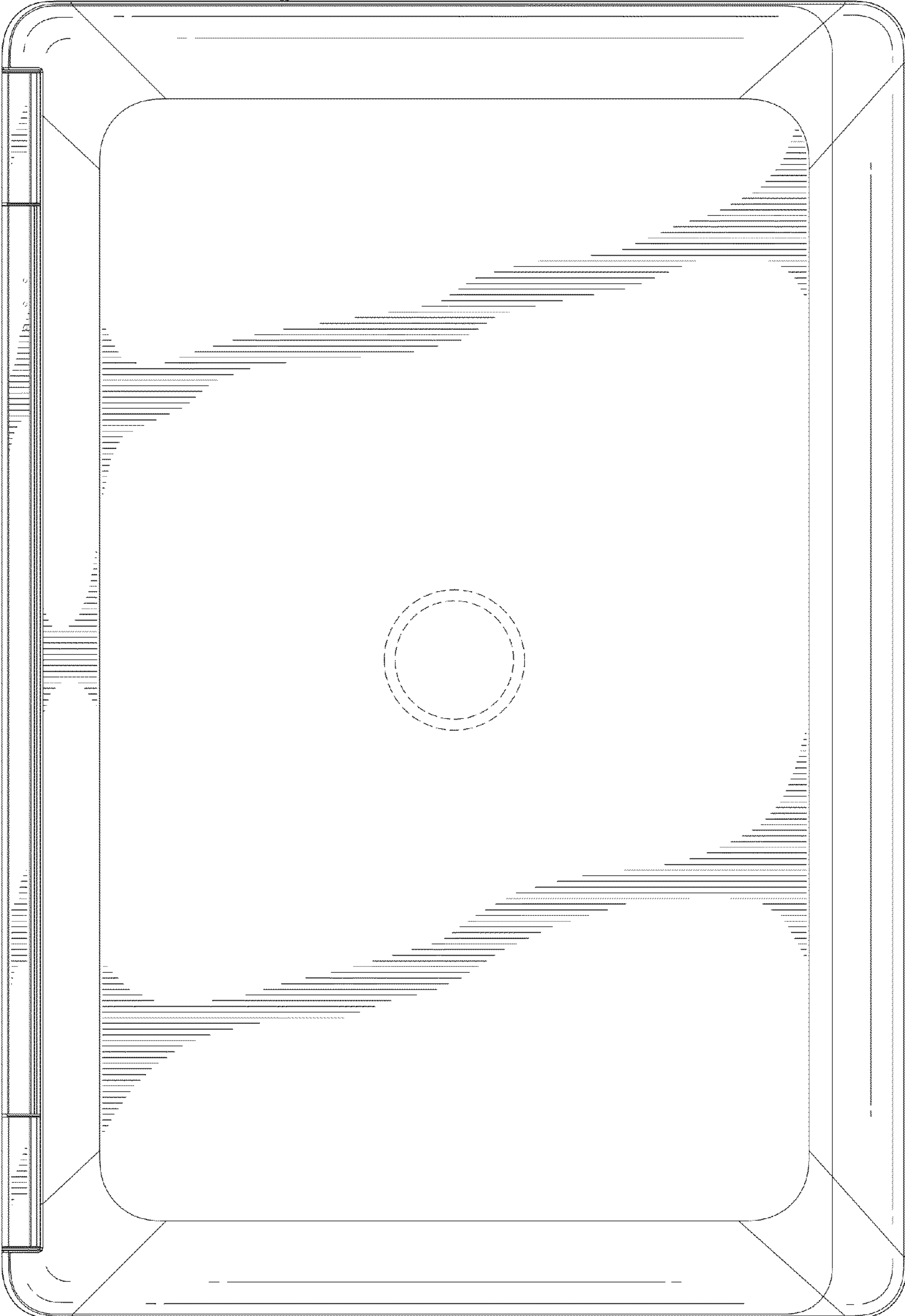
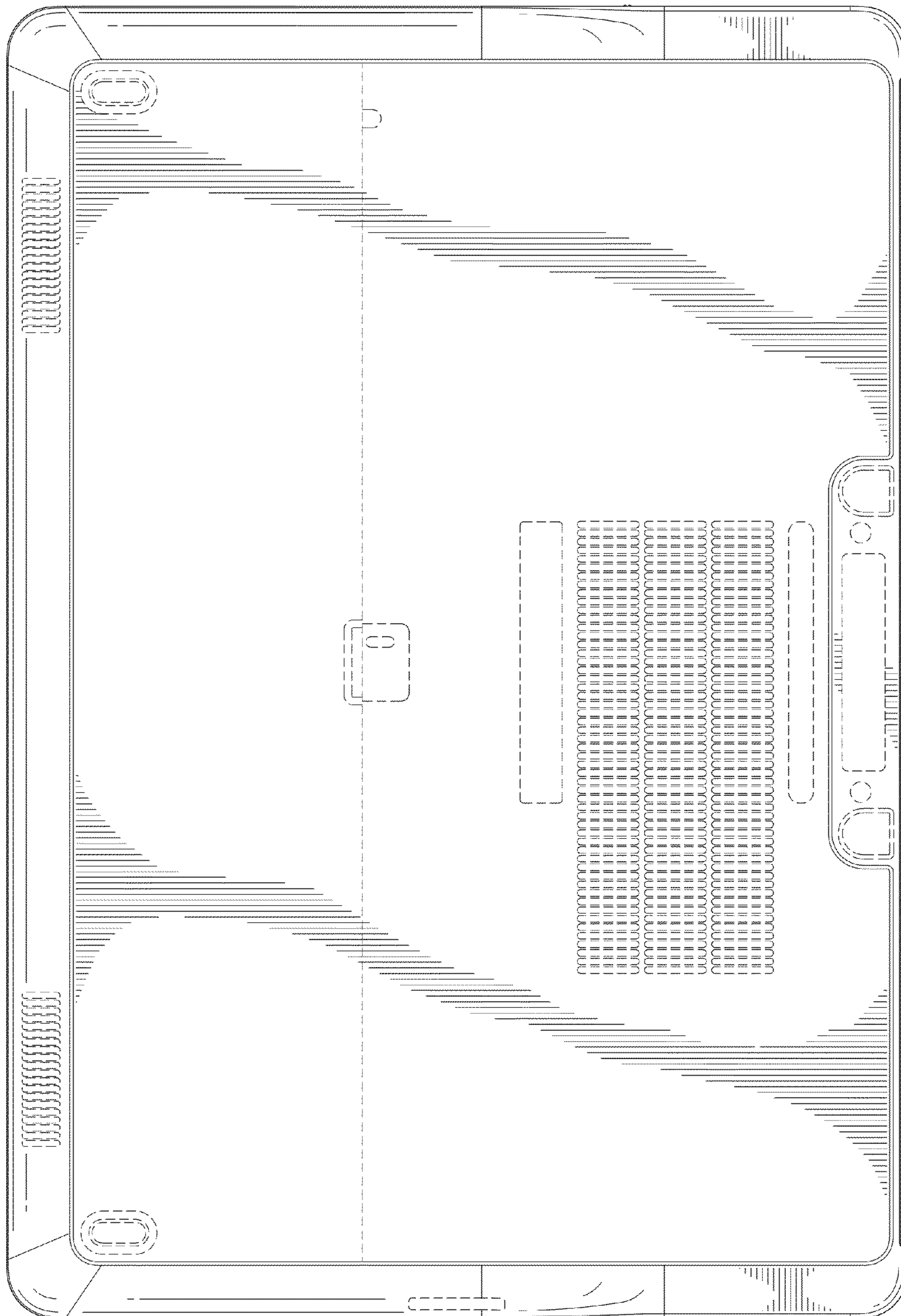


FIG. 7



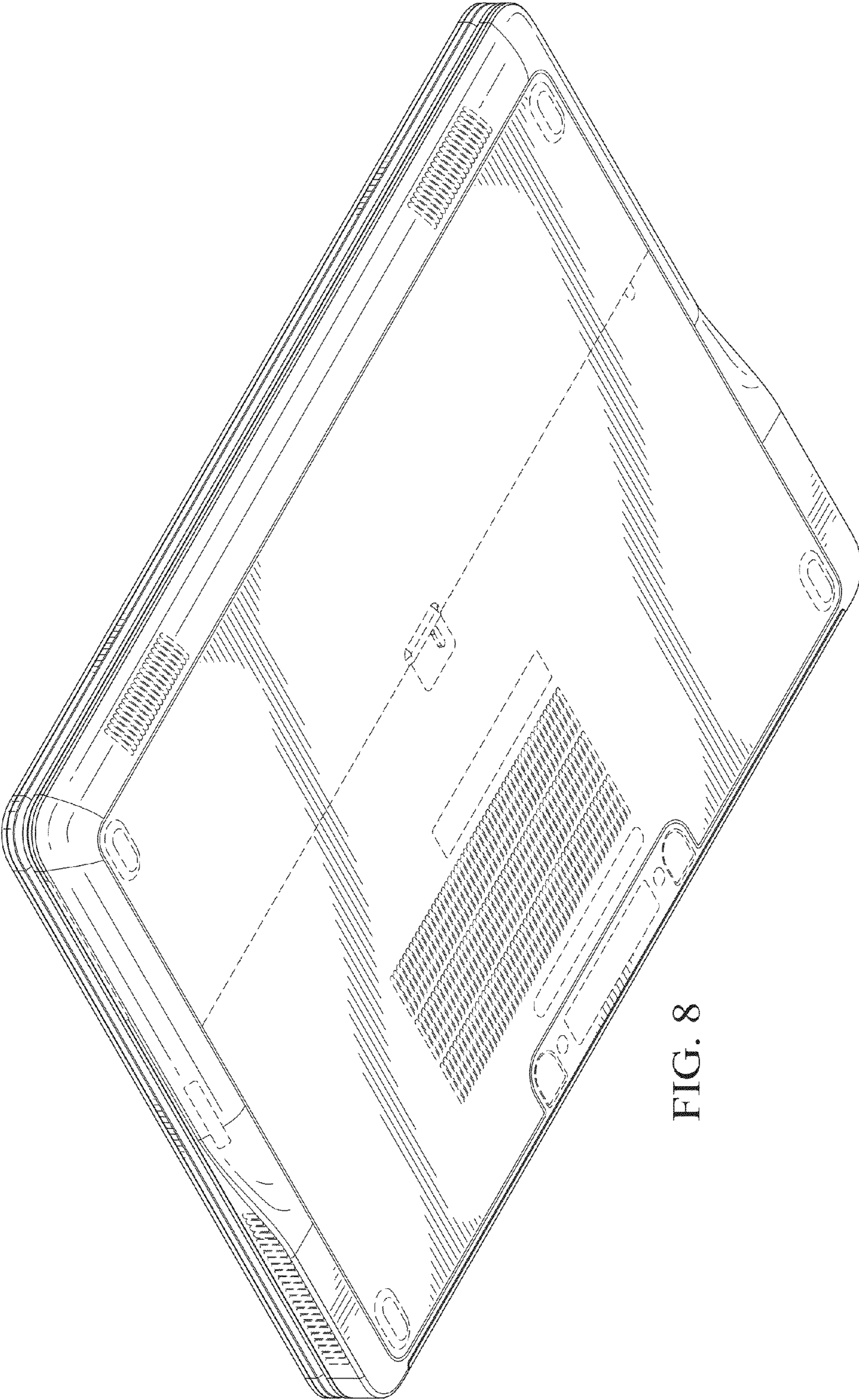


FIG. 8

FIG. 9

