



US00D720740S

(12) **United States Design Patent**
Wicks et al.

(10) **Patent No.:** **US D720,740 S**
(45) **Date of Patent:** **** Jan. 6, 2015**

(54) **CASE FOR ELECTRONIC DEVICE**

(71) Applicant: **Otter Products, LLC**, Fort Collins, CO (US)

(72) Inventors: **Jeffrey C. Wicks**, Fort Collins, CO (US); **Ryan D. Sellden**, Fort Collins, CO (US); **Jonathan B. Rayeski**, Fort Collins, CO (US); **John P. Fitzgerald**, Fort Collins, CO (US)

(73) Assignee: **Otter Products, LLC**, Fort Collins, CO (US)

(**) Term: **14 Years**

(21) Appl. No.: **29/494,069**

(22) Filed: **Jun. 17, 2014**

(51) **LOC (10) Cl.** **14-03**

(52) **U.S. Cl.**
USPC **D14/250**

(58) **Field of Classification Search**

USPC D14/250–253, 440, 203.3–203.7, 217, D14/496, 248, 238.1, 240, 447, 341–347, D14/444; D13/103, 107–108, 119; D3/201, D3/218, 247, 269, 273, 301, 303; 248/176.3, 188.8, 309.1, 371, 668; 361/220, 379.01, 679.01, 679.02, 361/679.09, 679.21, 679.25, 679.3, 679.4, 361/679.56, 679.57, 759, 807, 816; 379/433.11, 451, 455; 455/556.1, 557, 455/566, 575.1, 575.2, 575.8; 206/37, 45.2, 206/305, 320, 216; 320/108, 115; 429/96; 220/4.02; 150/165; 174/50; 235/41, 235/375, 462; 312/223.1; 396/535

See application file for complete search history.

(56) **References Cited**

U.S. PATENT DOCUMENTS

D556,681 S * 12/2007 Kim D13/103
7,612,997 B1 * 11/2009 Diebel et al. 361/679.56
D609,463 S * 2/2010 Bullen D3/218

D616,361 S * 5/2010 Huang D13/103
D653,202 S * 1/2012 Hasbrook et al. D13/103
D663,263 S * 7/2012 Gupta et al. D13/103
D664,091 S * 7/2012 Pliner et al. D13/108
D665,735 S * 8/2012 Kang et al. D13/108
D667,783 S * 9/2012 Zhang et al. D13/102
D670,281 S * 11/2012 Corpuz et al. D14/250
D671,493 S * 11/2012 Hasbrook et al. D13/119
D676,432 S * 2/2013 Hasbrook et al. D14/250
D676,844 S * 2/2013 Weller et al. D14/250
D677,249 S * 3/2013 Li et al. D14/250
D679,271 S * 4/2013 Liu D14/250
D681,020 S * 4/2013 Magness et al. D14/238.1

(Continued)

OTHER PUBLICATIONS

OtterBox launches Resurgence Power Case doubling your iPhone's battery usage, published on Jun. 23, 2014, URL:<<http://www.idownloadblog.com/2014/06/23/otterbox-resurgence-power-case/>>, retrieved from internet on Aug. 24, 2014.*

Primary Examiner — Carla Jobe Wright

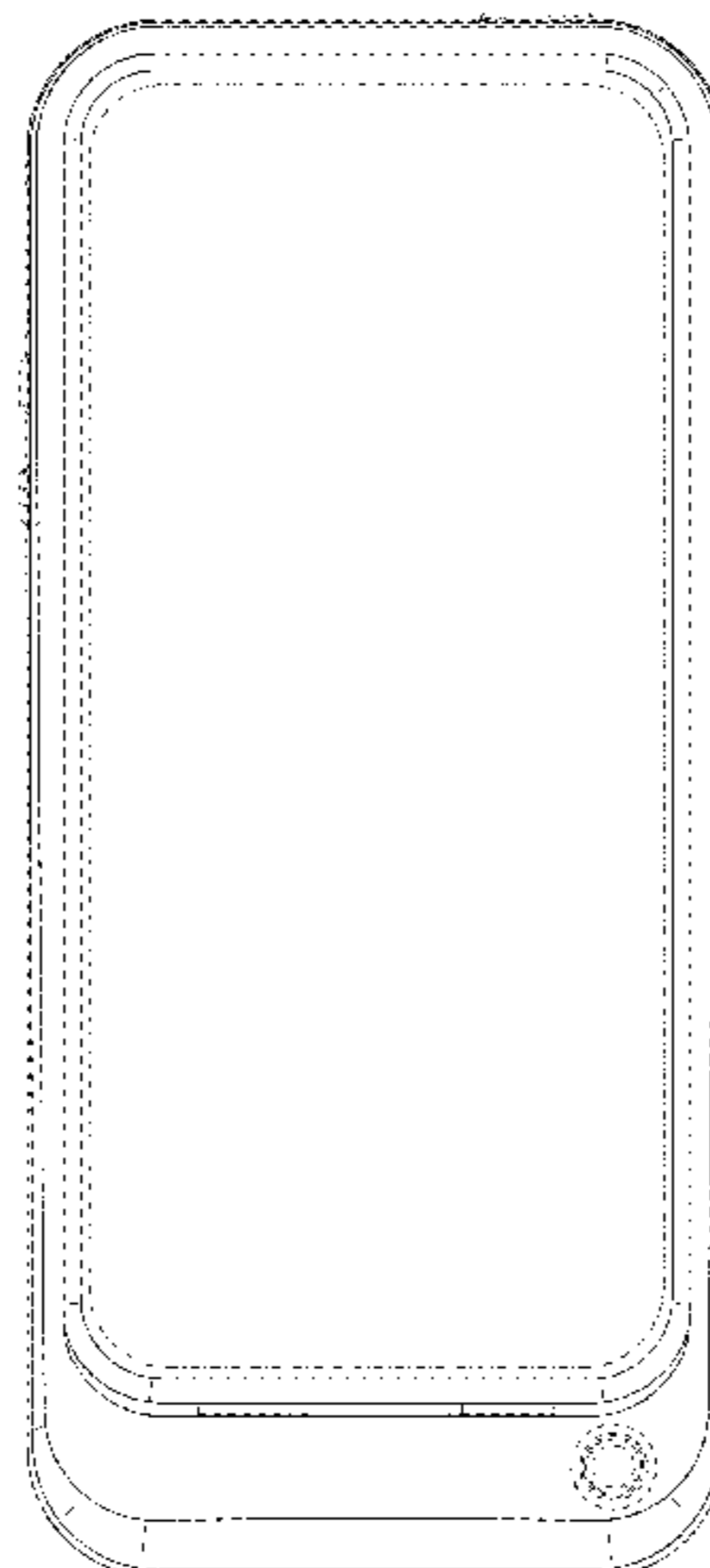
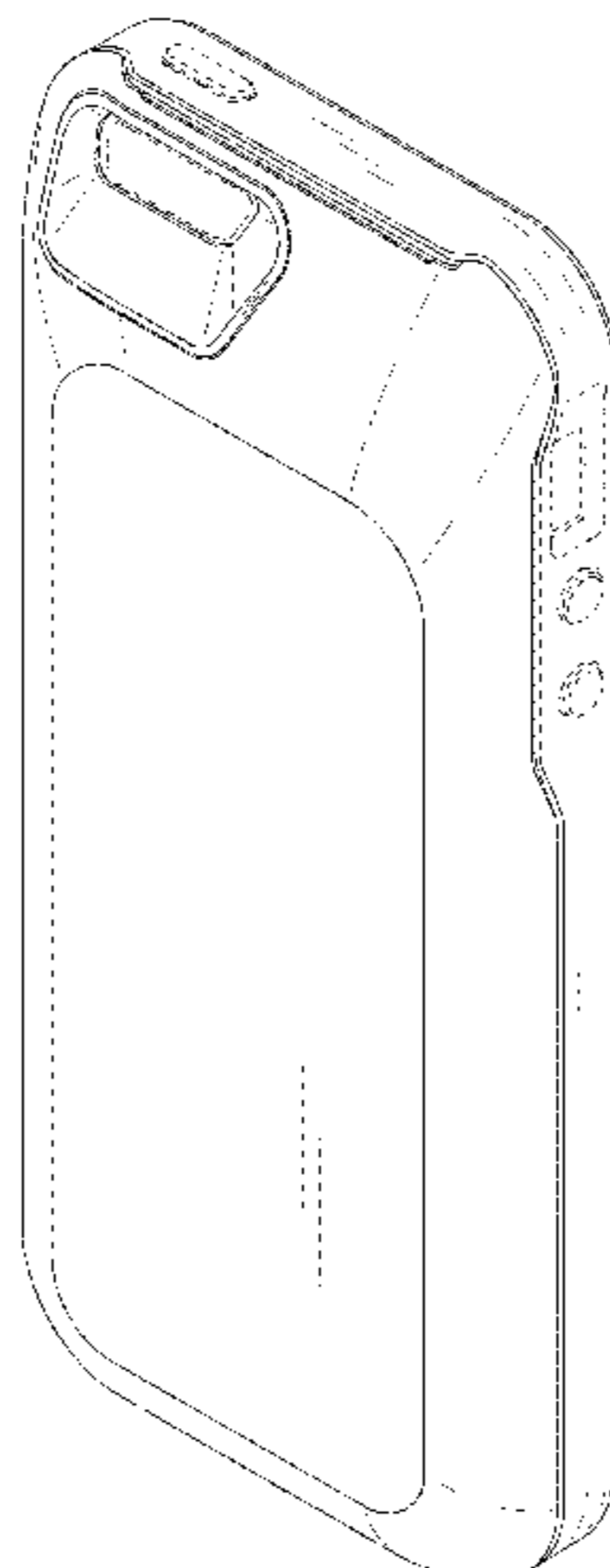
(57) **CLAIM**

The ornamental design for a case for electronic device, as shown and described.

DESCRIPTION

FIG. 1 is a front isometric view of a case for electronic device showing our new design;
FIG. 2 is a rear isometric view thereof;
FIG. 3 is a front view thereof;
FIG. 4 is a rear view thereof;
FIG. 5 is a left view thereof;
FIG. 6 is a right view thereof;
FIG. 7 is a top view thereof; and,
FIG. 8 is a bottom view thereof.
The dot-dash broken lines represent boundaries of the claimed design. The dash-dash broken lines depict unclaimed environment. The broken lines form no part of the claimed design.

1 Claim, 6 Drawing Sheets



(56)

References Cited

U.S. PATENT DOCUMENTS

D683,338 S * 5/2013 Wilson et al. D14/250
D697,904 S * 1/2014 Wicks et al. D14/250
8,644,895 B2 * 2/2014 Heywood 455/575.8

D703,651 S * 4/2014 Ehrlich D14/250
D703,653 S * 4/2014 Brubaker et al. D14/250
D710,795 S * 8/2014 Gupta et al. D13/103
D711,312 S * 8/2014 Tien D13/103
2012/0088558 A1 * 4/2012 Song 455/575.1

* cited by examiner

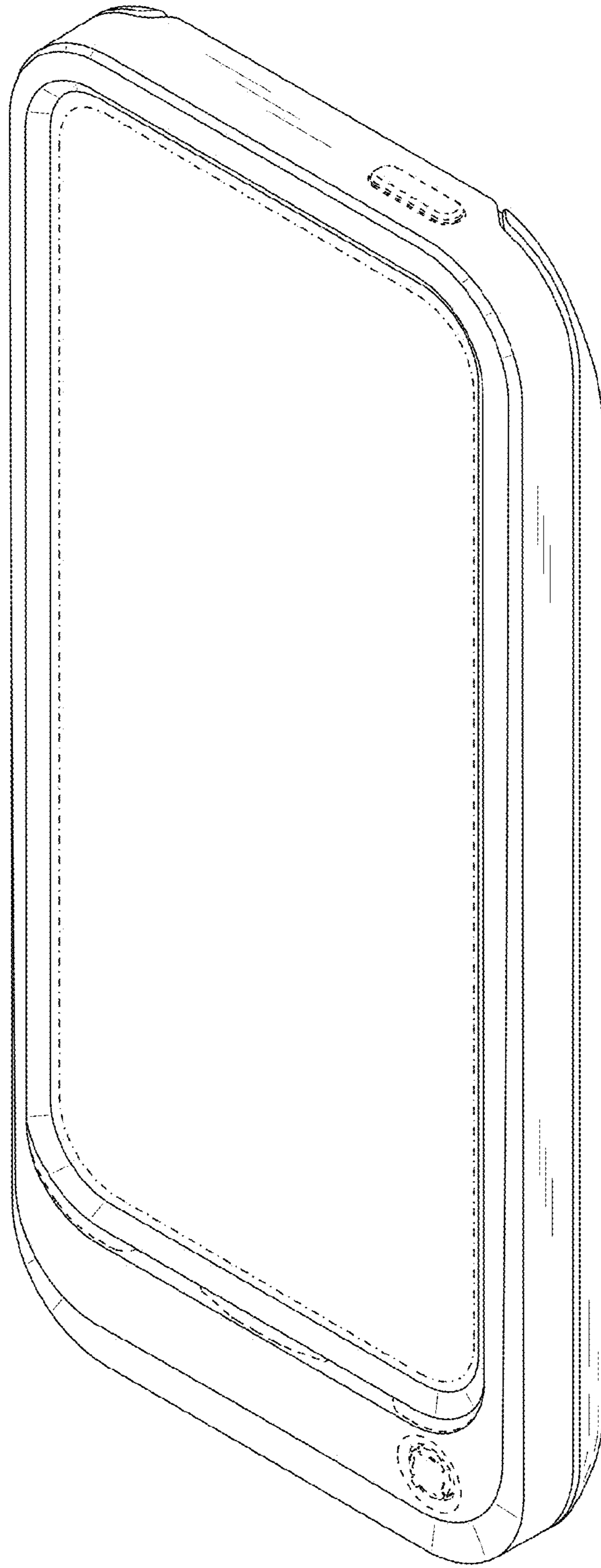


FIG. 1

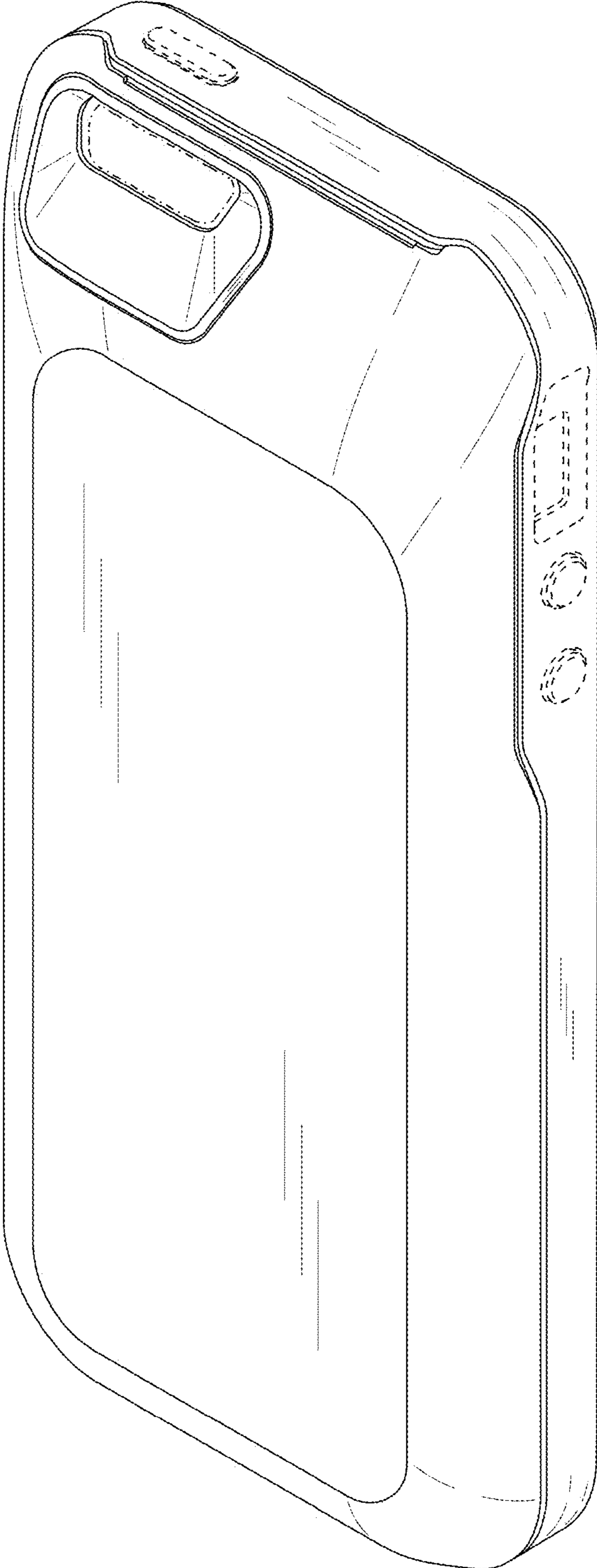


FIG. 2

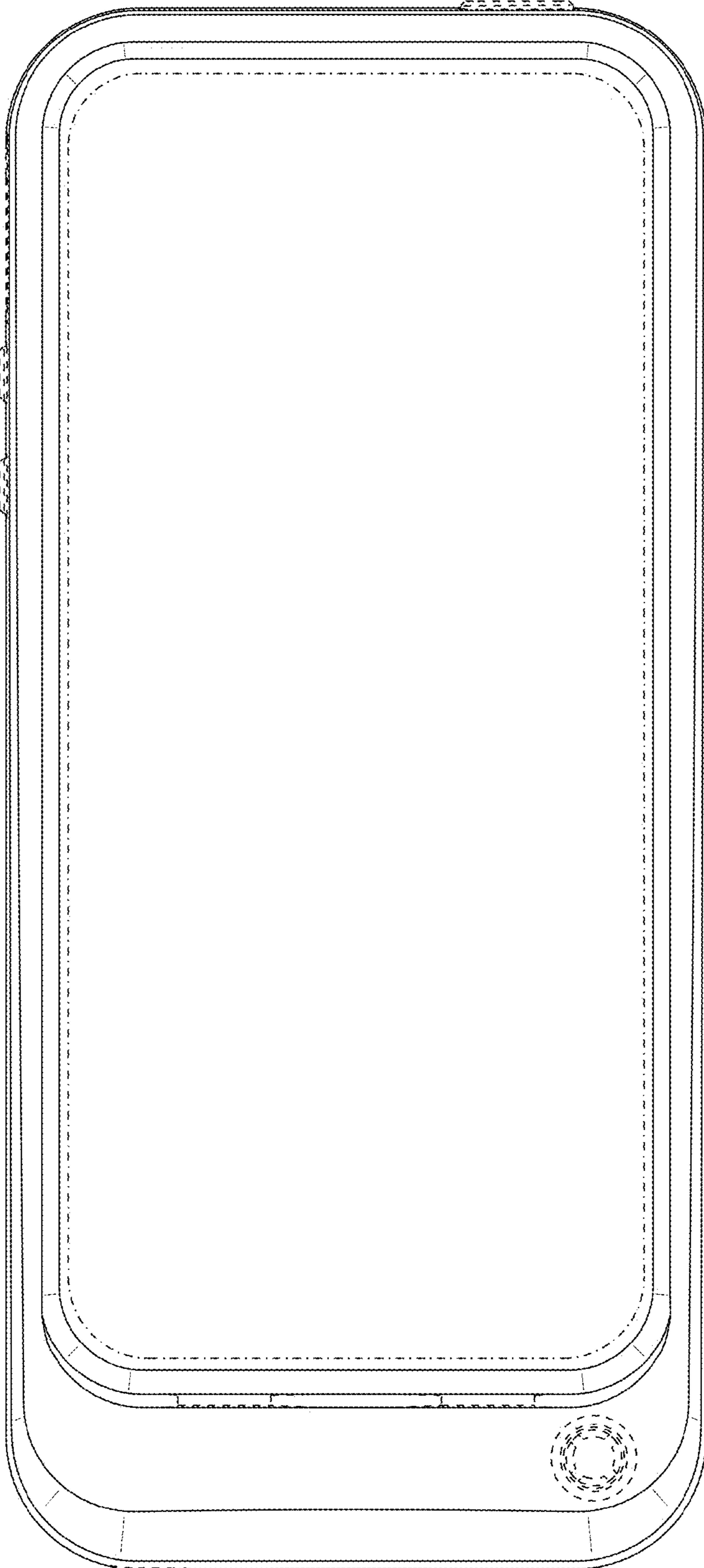


FIG. 3

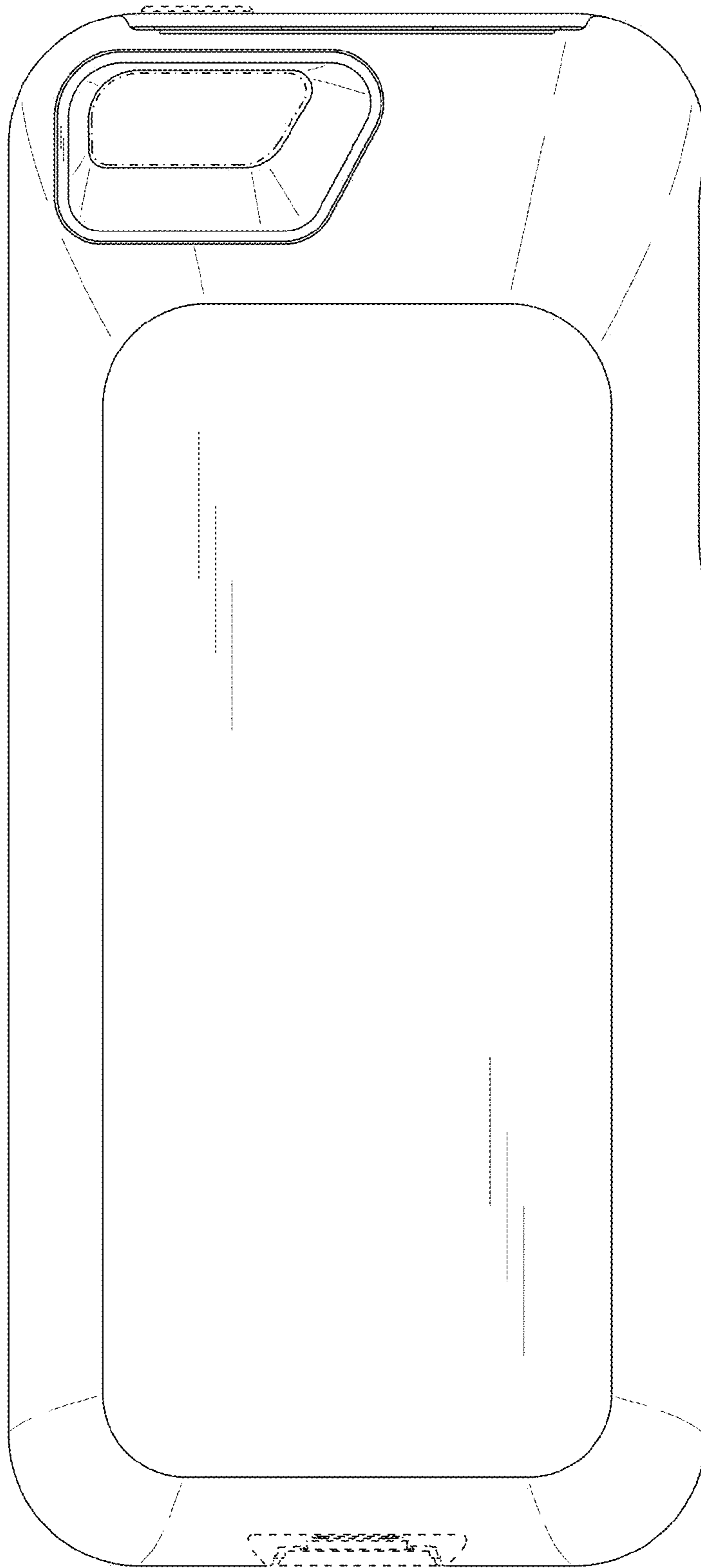


FIG. 4

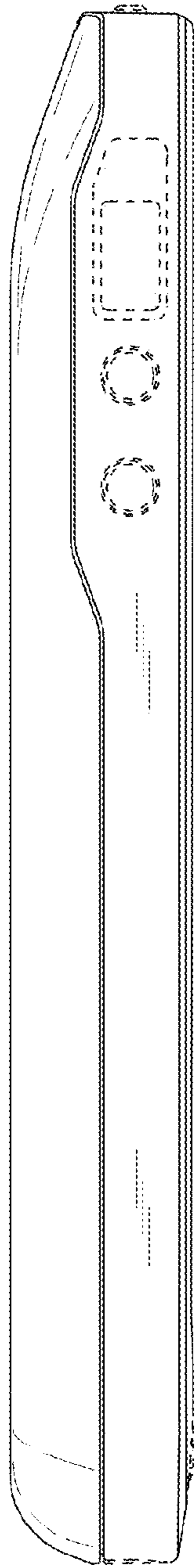


FIG. 5

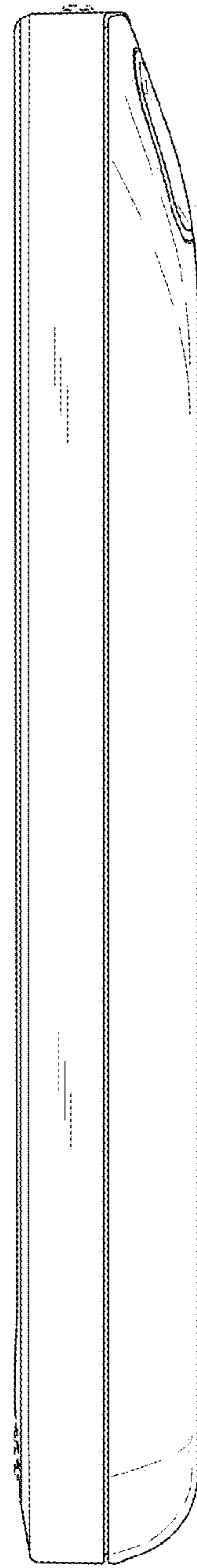


FIG. 6

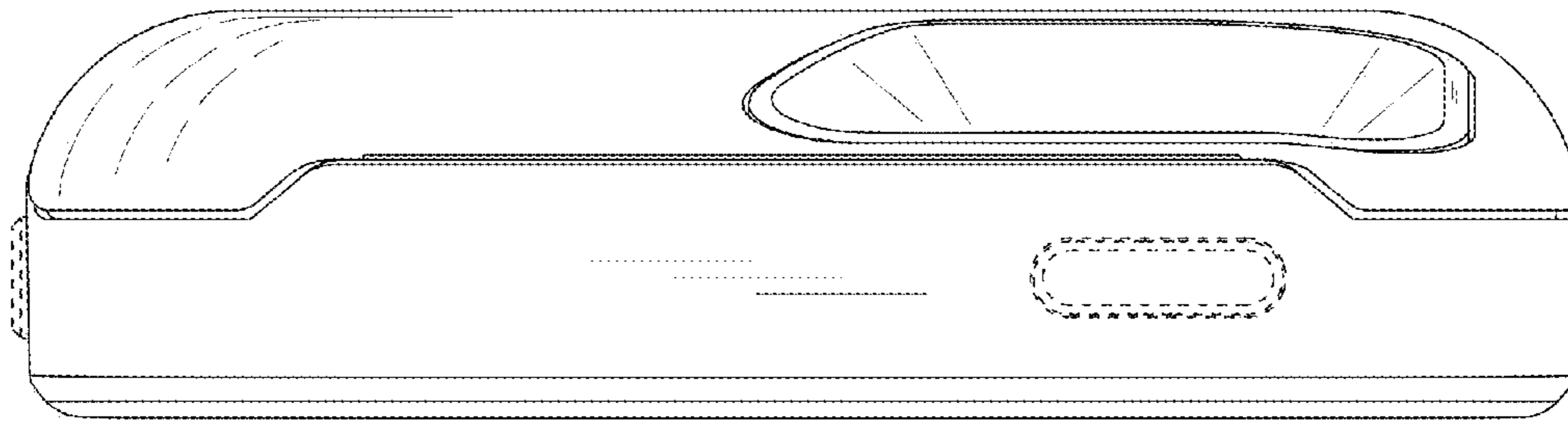


FIG. 7

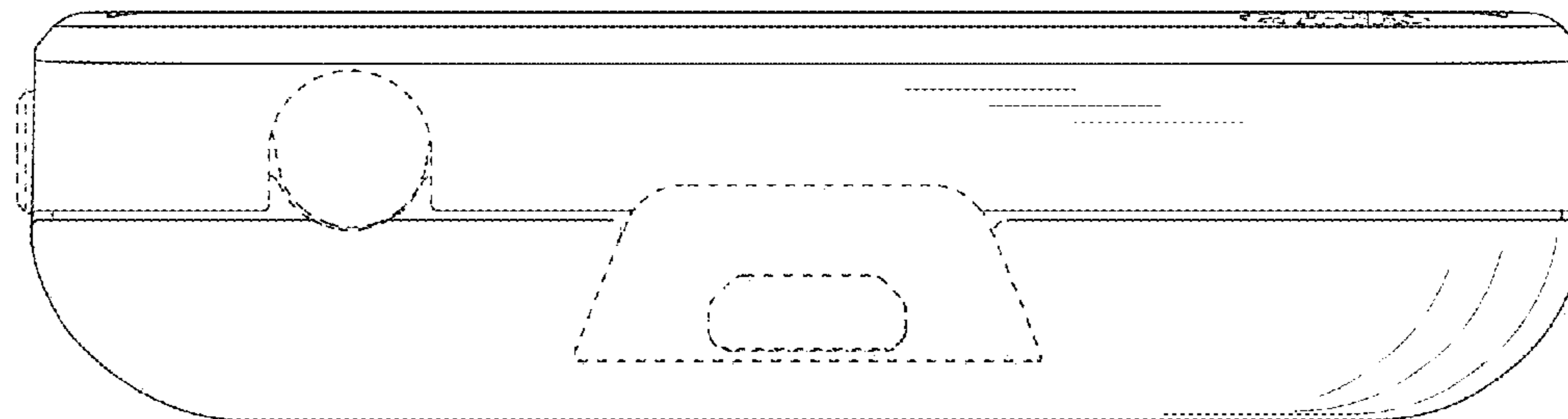


FIG. 8