



US00D720739S

(12) **United States Design Patent**
Liu

(10) **Patent No.:** **US D720,739 S**
(45) **Date of Patent:** **** Jan. 6, 2015**

(54) **CELL PHONE CASE**

(71) Applicant: **Chien-Ting Liu**, Taichung (TW)

(72) Inventor: **Chien-Ting Liu**, Taichung (TW)

(**) Term: **14 Years**

(21) Appl. No.: **29/486,086**

(22) Filed: **Mar. 26, 2014**

(51) **LOC (10) Cl.** **14-03**

(52) **U.S. Cl.**
USPC **D14/250**

(58) **Field of Classification Search**
USPC D14/250, 238.1, 440, 203.3–203.7, 217,
D14/240, 248, 251–253, 341–347, 444, 447,
D14/496; D13/103, 107–108, 119;
248/176.3, 188.8, 309.1, 371, 668;
361/220, 379.01, 679.01, 679.02,
361/679.09, 679.21, 679.25, 679.3, 679.4,
361/679.56, 679.57, 759, 807, 816;
379/433.11, 451, 455; 455/556.1, 557,
455/566, 575.1, 575.2, 575.8; 206/37, 45.2,
206/305, 320, 216; 320/108, 115; 429/96;
220/4.02; 150/165; 174/50; 235/41,
235/375, 462; 312/223.1; 396/535; D3/201,
D3/218, 247, 269, 272, 301, 303
See application file for complete search history.

(56) **References Cited**

U.S. PATENT DOCUMENTS

D376,989 S * 12/1996 McCain D10/78
5,896,277 A * 4/1999 Leon et al. 361/814
D476,229 S * 6/2003 Skillings D9/432
D583,787 S * 12/2008 Kim et al. D14/138 AB
D602,456 S * 10/2009 Aithal et al. D14/138 AA
D603,603 S * 11/2009 Laine et al. D3/218

D606,305 S * 12/2009 Lee et al. D3/269
D633,088 S * 2/2011 Liao D14/341
D638,006 S * 5/2011 Chang D14/250
D638,007 S * 5/2011 Chang D14/250
D641,354 S * 7/2011 Hsu D14/341
D668,247 S * 10/2012 Kim et al. D14/253
D669,459 S * 10/2012 Kim D14/253
8,382,059 B2 * 2/2013 Le Gette et al. 248/460
D689,851 S * 9/2013 Chang et al. D14/250
D694,742 S * 12/2013 Pan D14/250
D696,257 S * 12/2013 Ward et al. D14/440
D699,716 S * 2/2014 Pan D14/250
8,718,730 B1 * 5/2014 LaColla et al. 455/575.8
2014/0221056 A1 * 8/2014 Gandhi et al. 455/575.8

* cited by examiner

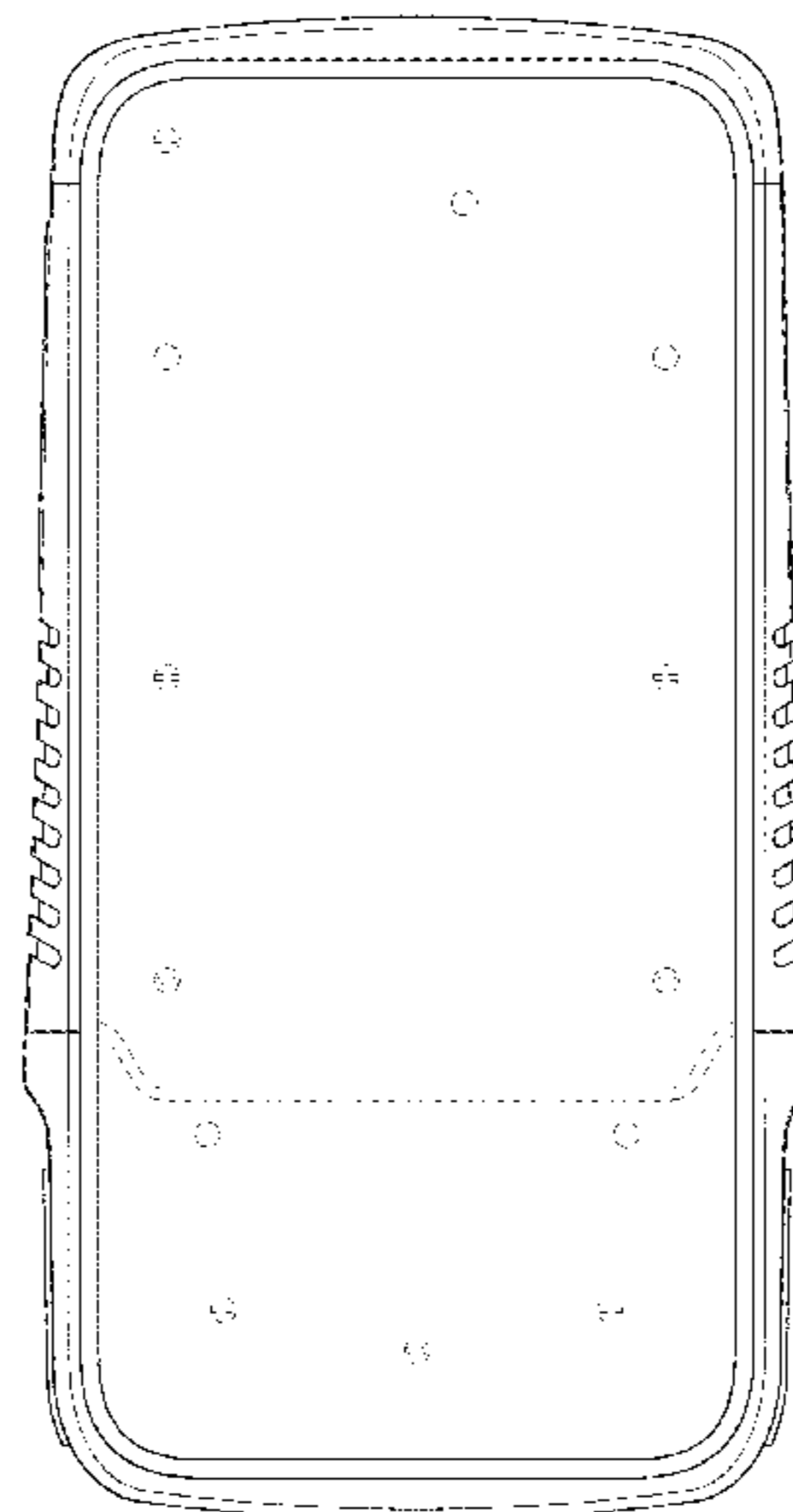
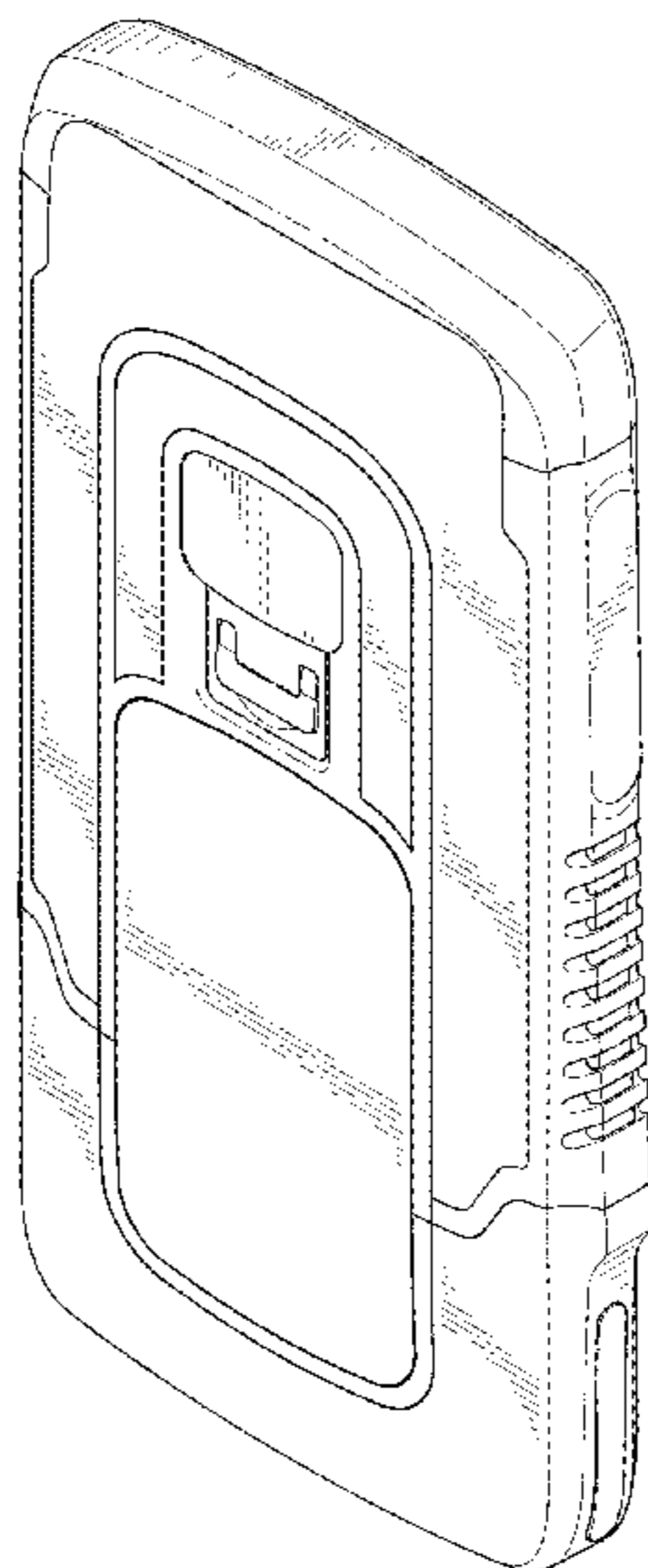
Primary Examiner — Carla Jobe Wright
(74) *Attorney, Agent, or Firm* — WPAT, P.C.; Anthony King

(57) **CLAIM**
The ornamental design for a cell phone case, as shown and described.

DESCRIPTION

FIG. 1 is a front perspective view of a cell phone case showing my new design.
FIG. 2 is a front view thereof;
FIG. 3 is a rear view thereof;
FIG. 4 is a left view thereof;
FIG. 5 is a right view thereof;
FIG. 6 is a top view thereof;
FIG. 7 is a bottom view thereof; and,
FIG. 8 is a rear perspective view of a cell phone case showing my new design.
The unshaded interior surfaces of the cell phone case shown in FIGS. 3 and 8 and the broken lines thereon form no part of the claimed design.

1 Claim, 8 Drawing Sheets



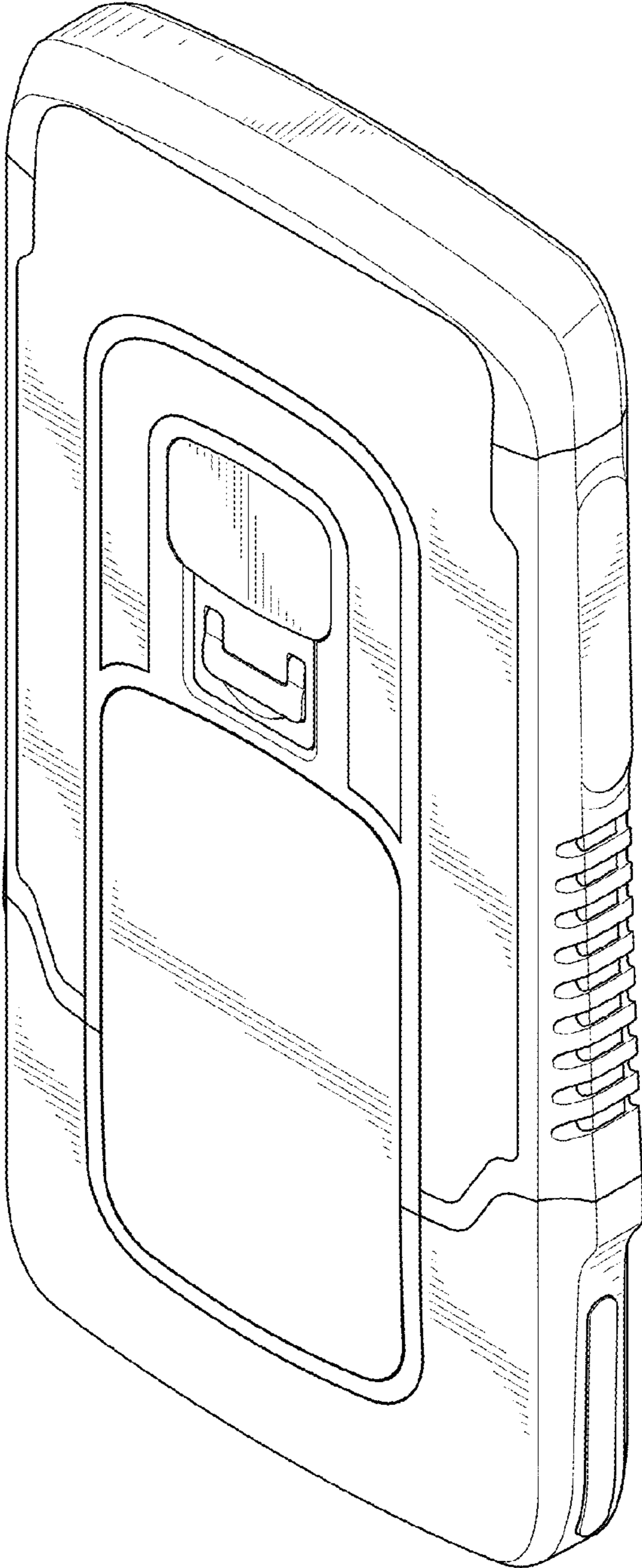


FIG.1

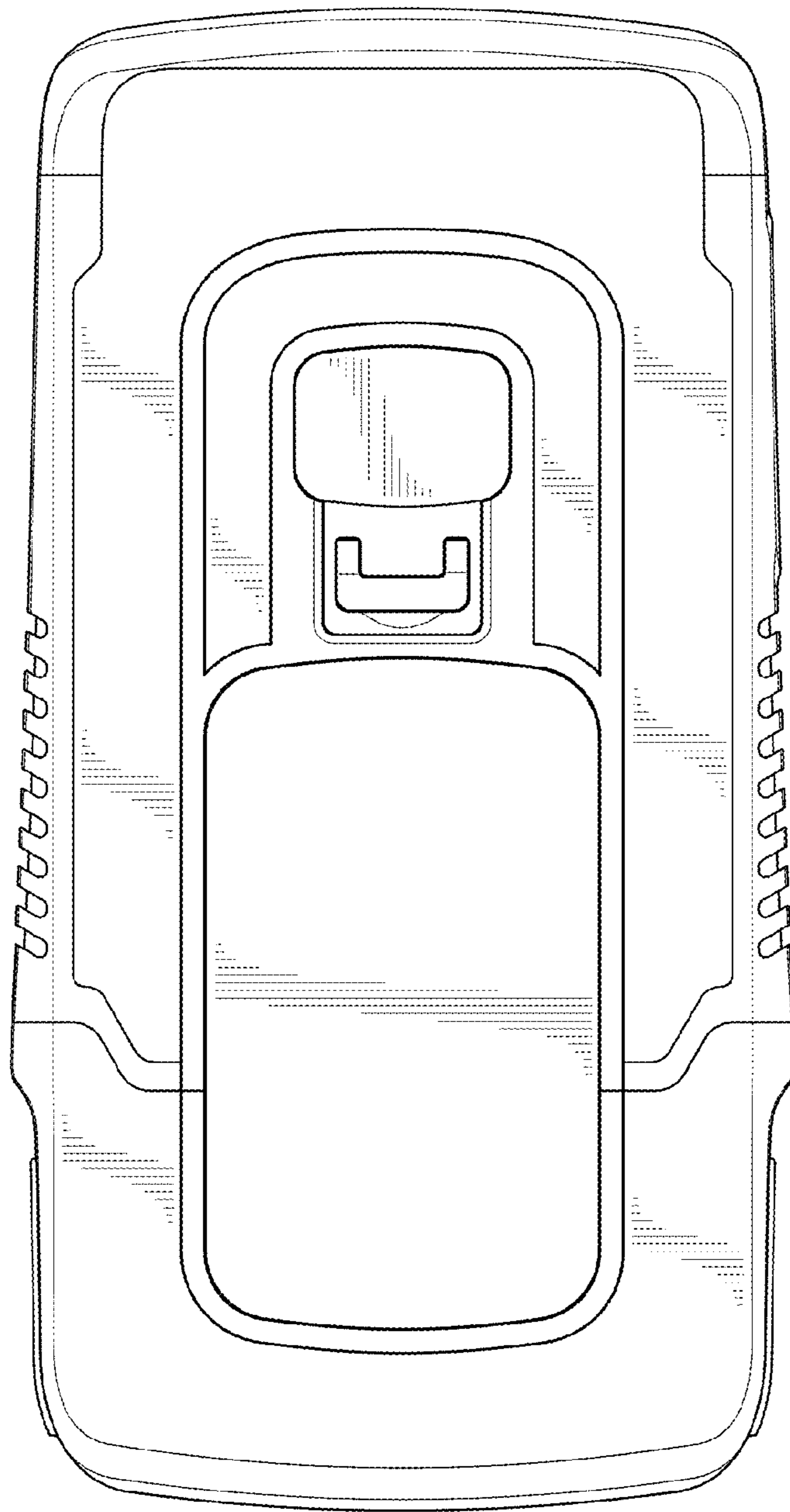


FIG.2

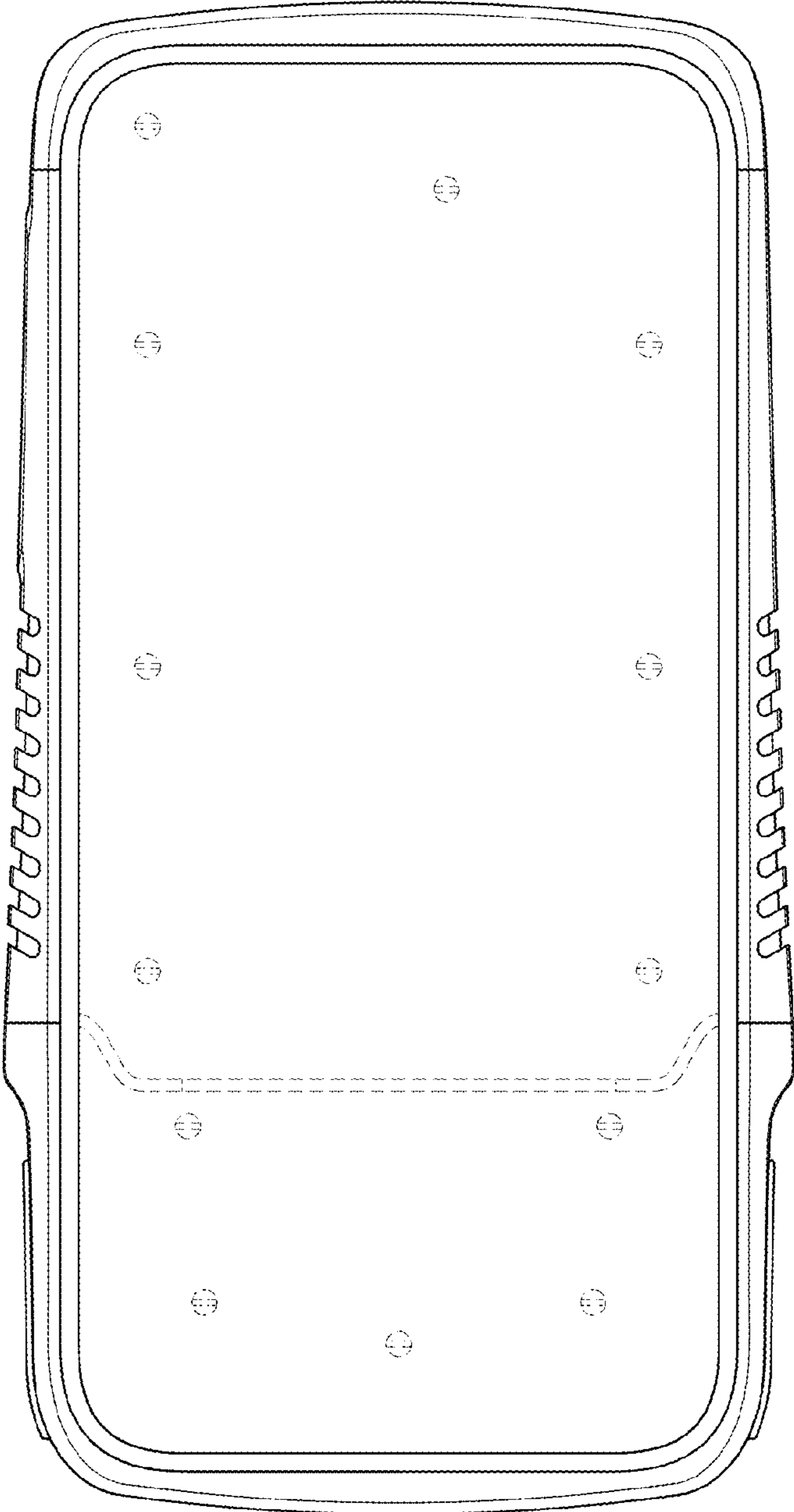


FIG.3

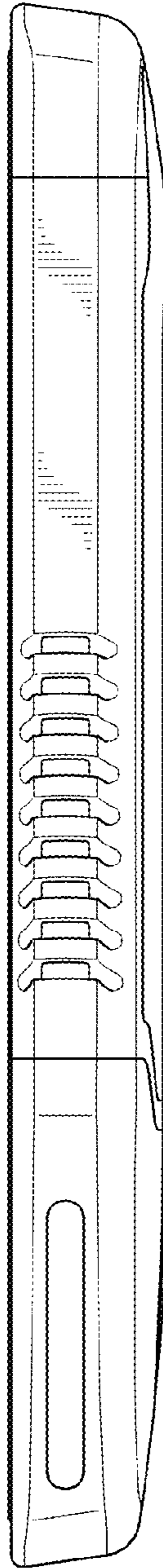


FIG.4

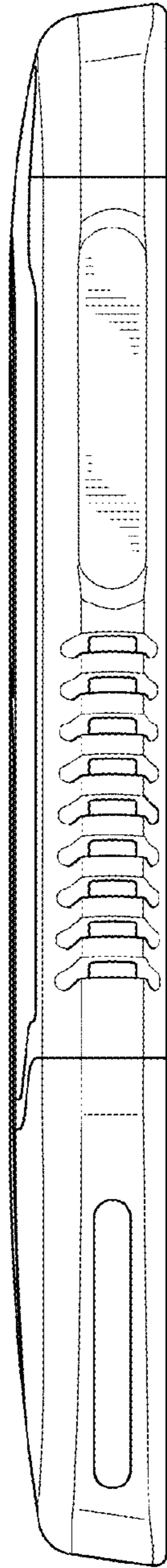


FIG.5

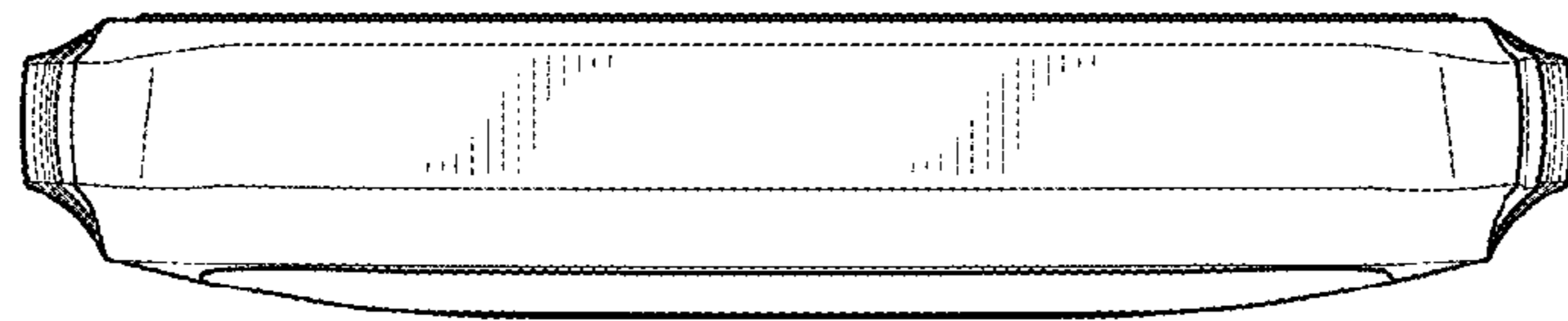


FIG.6

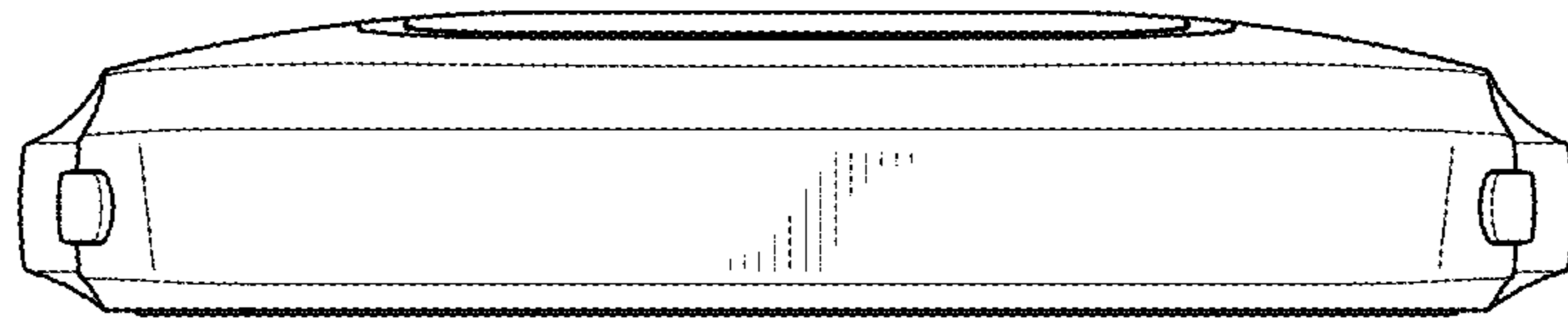


FIG.7

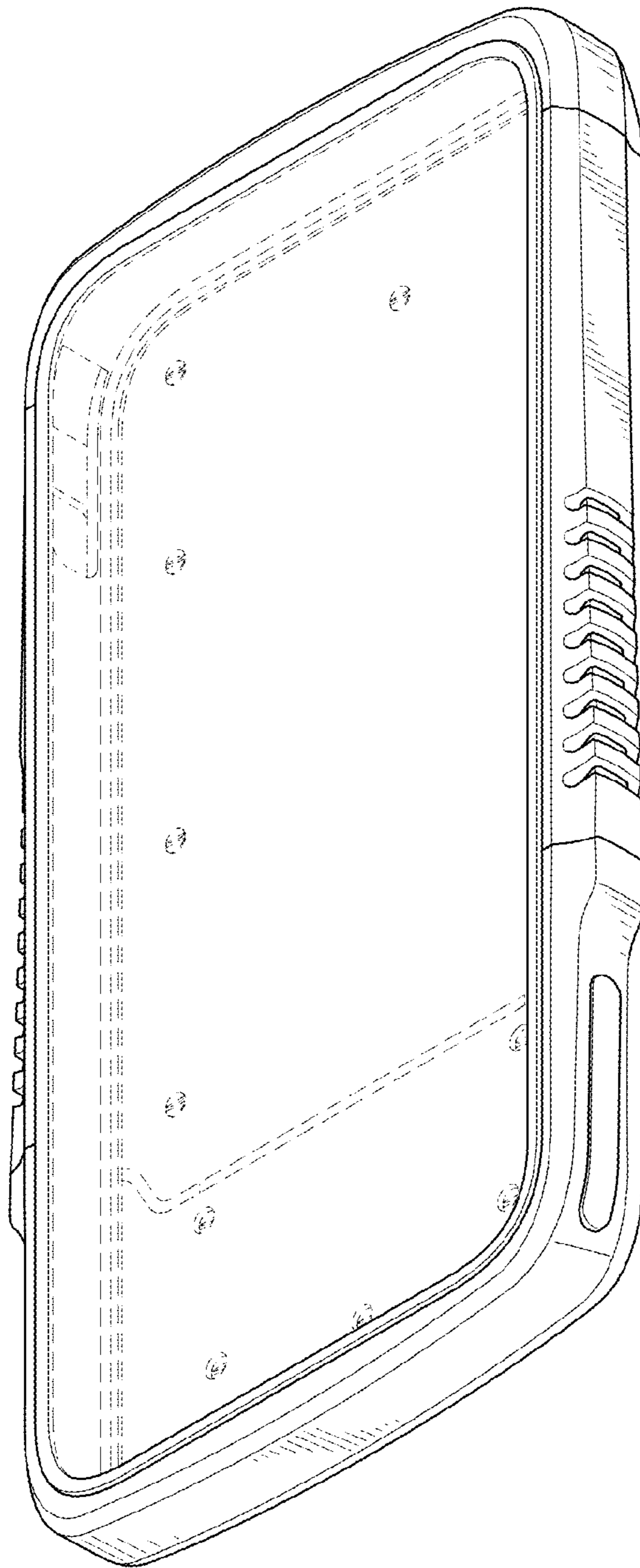


FIG.8